



US00D772801S

(12) **United States Design Patent** (10) **Patent No.:** **US D772,801 S**
Sweeney (45) **Date of Patent:** **** Nov. 29, 2016**

(54) **SOLAR PANEL ELECTRICAL CONNECTOR**

(56) **References Cited**

(71) Applicant: **IlSCO Corporation**, Cincinnati, OH (US)
(72) Inventor: **Thomas M. Sweeney**, Cincinnati, OH (US)
(73) Assignee: **IlSCO Corporation**, Cincinnati, OH (US)
(**) Term: **15 Years**

U.S. PATENT DOCUMENTS

2,385,209 A	7/1966	Joyce	
3,260,986 A	7/1966	Staffel	
3,585,571 A	6/1971	Davis et al.	
4,384,753 A	5/1983	Mixon, Jr.	
4,784,621 A	11/1988	Auclair	
5,199,905 A	4/1993	Fillinger	
5,240,423 A	8/1993	Morrison	
D344,598 S *	2/1994	Ehmke	D25/124
D364,792 S *	12/1995	Yoder	D12/223

(Continued)

(21) Appl. No.: **29/542,548**

FOREIGN PATENT DOCUMENTS

(22) Filed: **Oct. 15, 2015**

WO 2009/094320 A2 7/2009

Related U.S. Application Data

(62) Division of application No. 29/481,913, filed on Feb. 12, 2014, now Pat. No. Des. 745,846, and a division of application No. 13/409,472, filed on Mar. 1, 2012, now abandoned.

(51) **LOC (10) Cl.** **13-02**

(52) **U.S. Cl.**
USPC **D13/102**

(58) **Field of Classification Search**

USPC D13/102, 118, 184, 199; D8/349, 354, D8/355, 356; D25/119, 123, 124, 125; 52/173.3, 460; 126/573, 580; 136/206, 136/244-251, 256, 291, 292; 248/205.1, 248/316.4; 439/92, 567, 625, 733.1, 797
CPC F24J 2/52; F24J 2/464; F24J 2/5211; F24J 2/5245; F24J 2/5256; F24J 2/5258; H01L 31/05; H01L 31/042; H01R 4/36; H01R 4/66; H01R 13/621; H01R 24/00; H01R 11/11; H01R 11/15; B21D 39/00; F16B 2/02; F16B 2/065; F16B 2/20; F16B 2/24

See application file for complete search history.

OTHER PUBLICATIONS

Erico®, Solar Bonding Lugs, internet printout, Aug. 9, 2010, 2 pgs.
(Continued)

Primary Examiner — Derrick Holland
(74) *Attorney, Agent, or Firm* — Wood Herron & Evans LLP

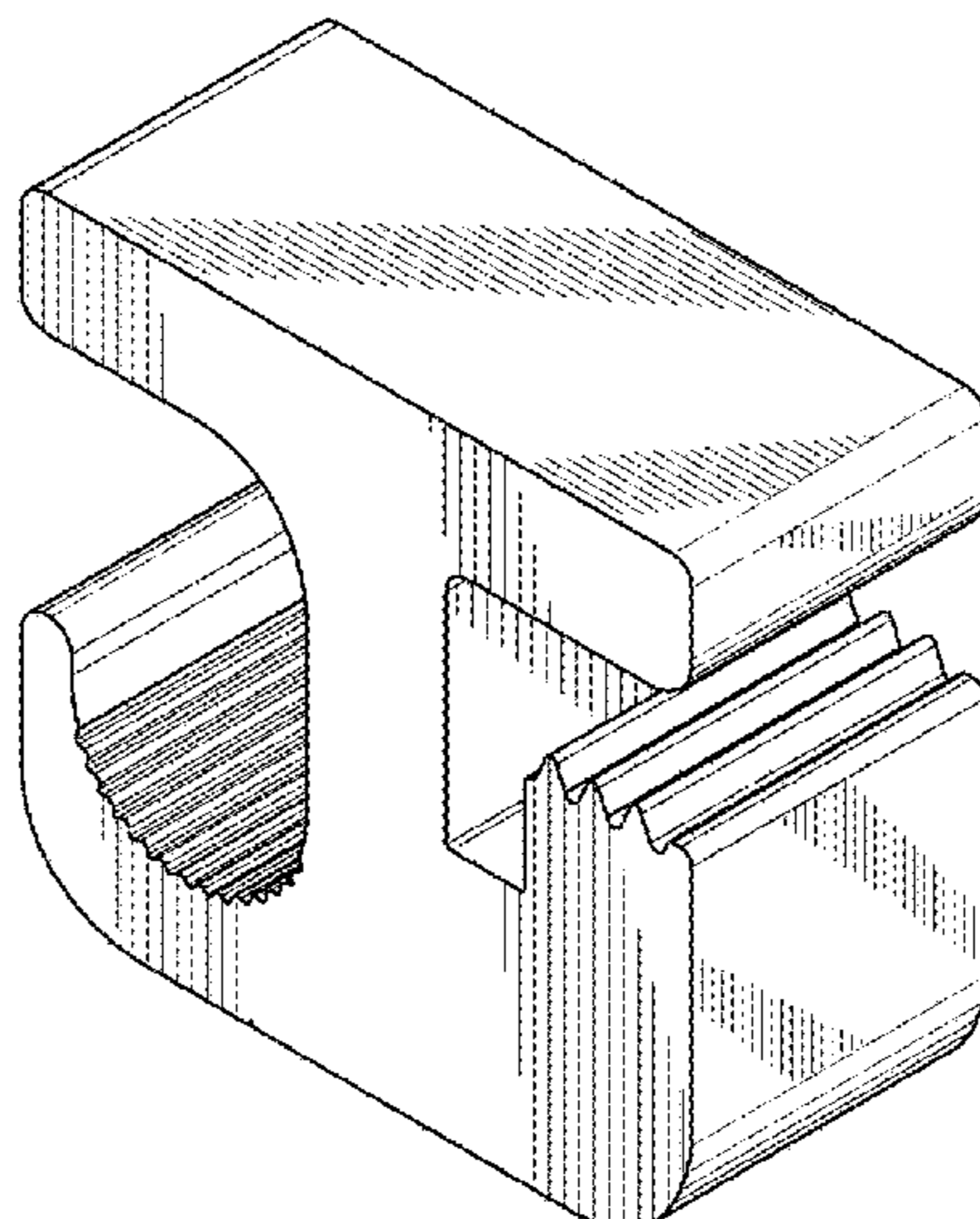
(57) **CLAIM**

The ornamental design for a solar panel electrical connector, as shown and described.

DESCRIPTION

FIG. 1 is an isometric view of a solar panel electrical connector showing my new design;
FIG. 2 is a second isometric view thereof;
FIG. 3 is a front view thereof;
FIG. 4 is a back view thereof;
FIG. 5 is a right side view thereof;
FIG. 6 is a left side view thereof;
FIG. 7 is a top plan view thereof; and,
FIG. 8 is a bottom plan view thereof.
The broken lines shown represent unclaimed subject matter and form no part of the claimed design.

1 Claim, 3 Drawing Sheets



(56)

References Cited

U.S. PATENT DOCUMENTS

5,928,006 A 7/1999 Franks, Jr.
6,494,726 B1 12/2002 Auclair
6,992,256 B1 1/2006 Wiley et al.
7,044,776 B2 5/2006 King, Jr. et al.
D547,262 S * 7/2007 Ullman D13/102
7,537,494 B1 5/2009 Umlauf
7,566,250 B1 7/2009 Good
7,625,238 B2 12/2009 Duesterhoeft
7,670,153 B2 3/2010 Kulig
7,677,932 B2 3/2010 King, Jr. et al.
7,735,270 B2 6/2010 Olle et al.
7,780,472 B2 8/2010 Lenox
D627,717 S * 11/2010 Munoz D13/102
7,862,390 B2 * 1/2011 Copper H01R 4/5091
439/781

D673,904 S * 1/2013 Kobayashi D13/102
9,196,978 B2 11/2015 Magno
2007/0248434 A1 10/2007 Wiley et al.
2008/0149170 A1 6/2008 Hanoka
2009/0184222 A1 7/2009 Osborn et al.
2011/0151703 A1 6/2011 Parker et al.
2014/0042286 A1 2/2014 Jaffari

OTHER PUBLICATIONS

Wiley Electronics LLC, Acme PV Peripherals, internet printout, undated, 2 pgs.
O-Z/Gedney, Ground Fittings, MA5, Dec. 2007, 5 pgs.
O-Z/Gedney, Grounding Fittings Catalog, MA1-MA9, Nov. 2005, 9 pgs.

* cited by examiner

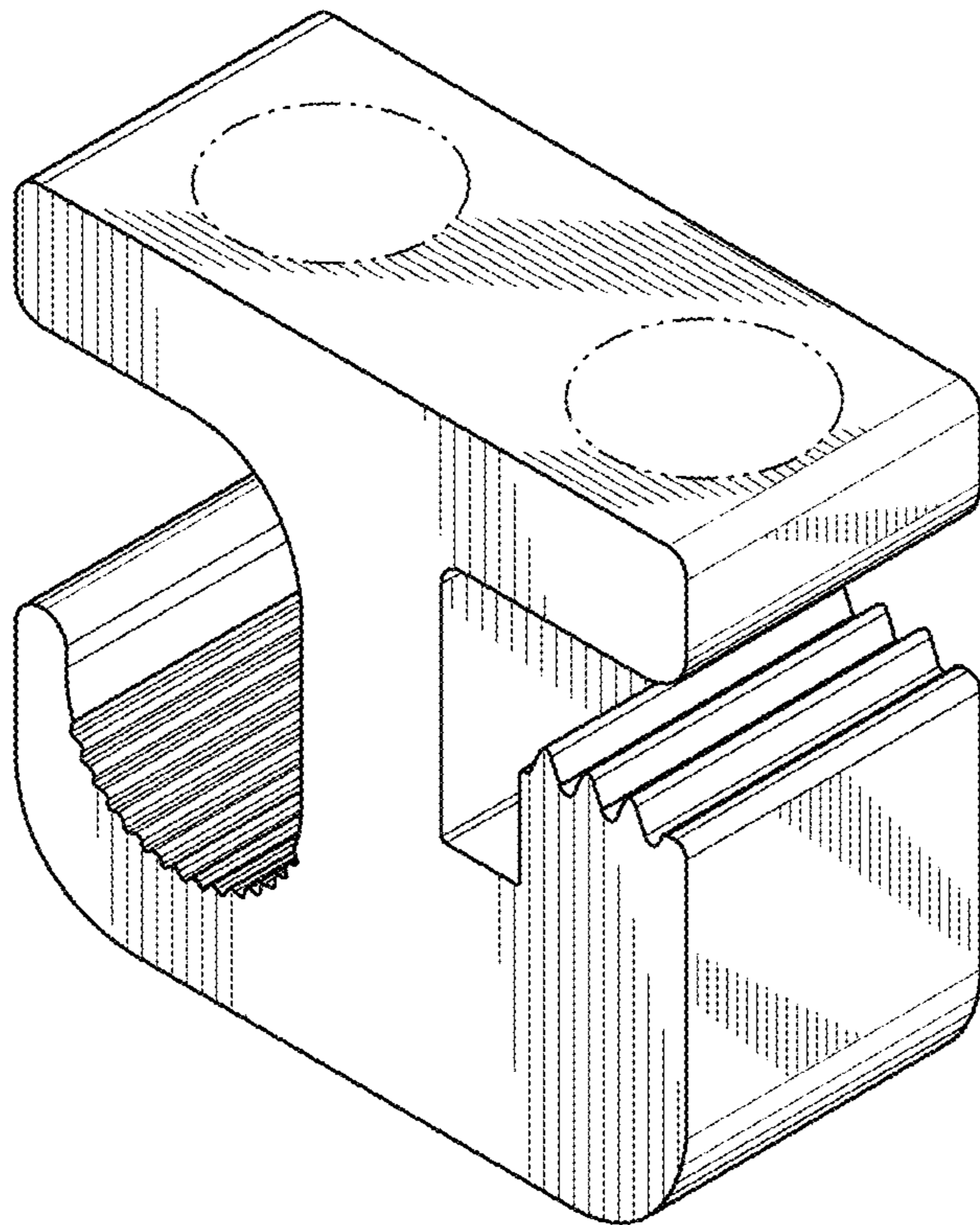


FIG. 1

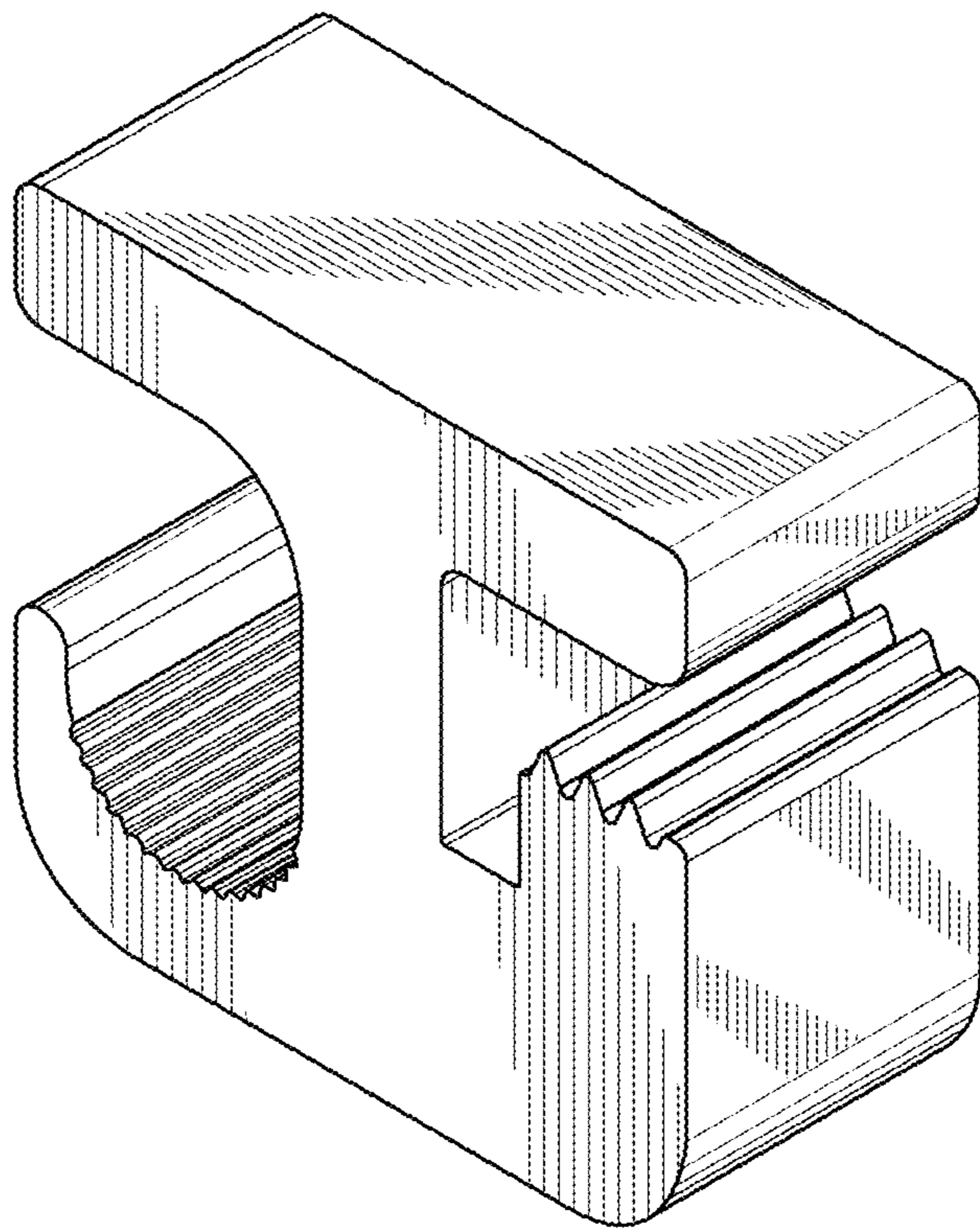


FIG. 2

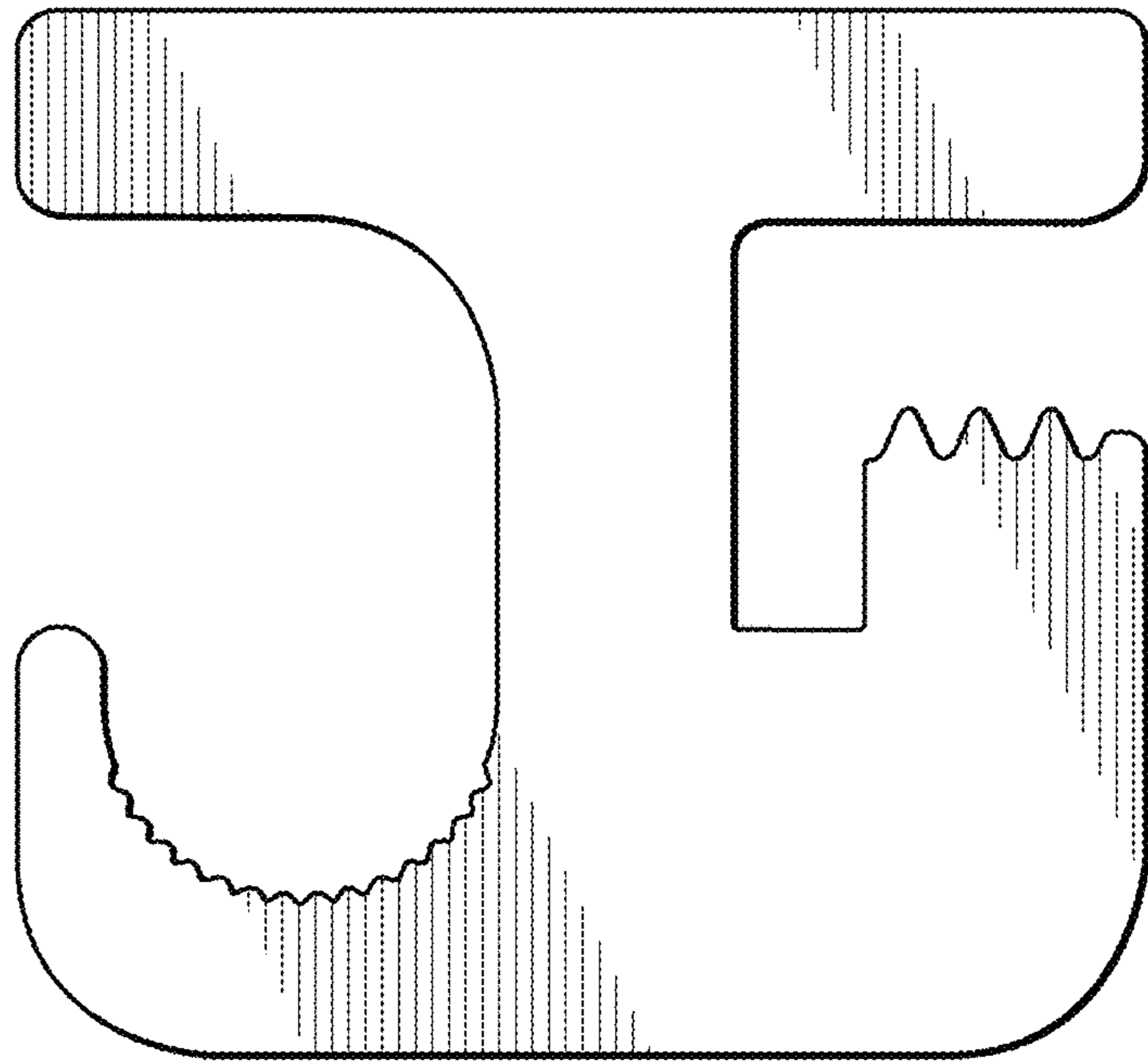


FIG. 3

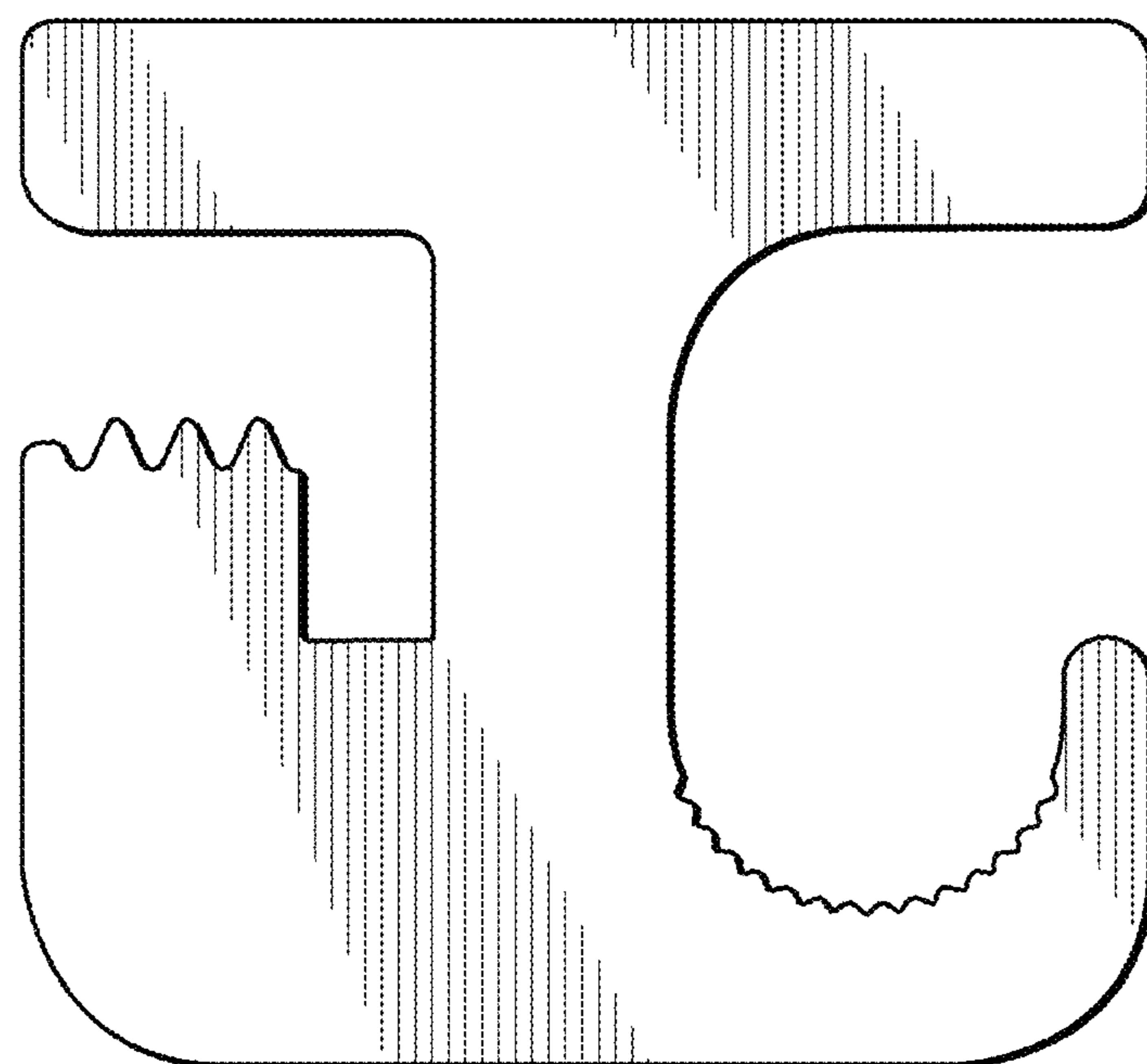


FIG. 4

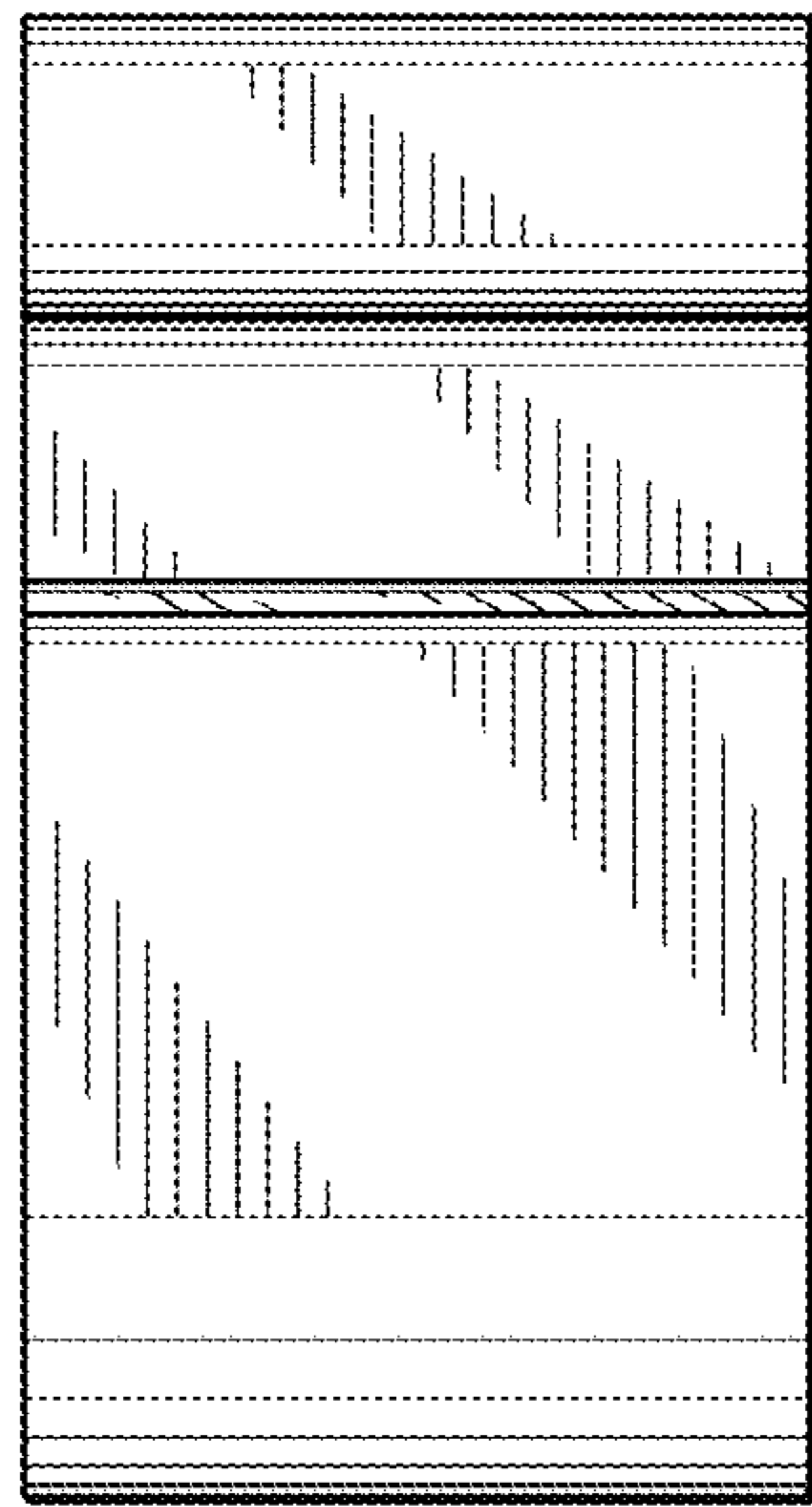


FIG. 5

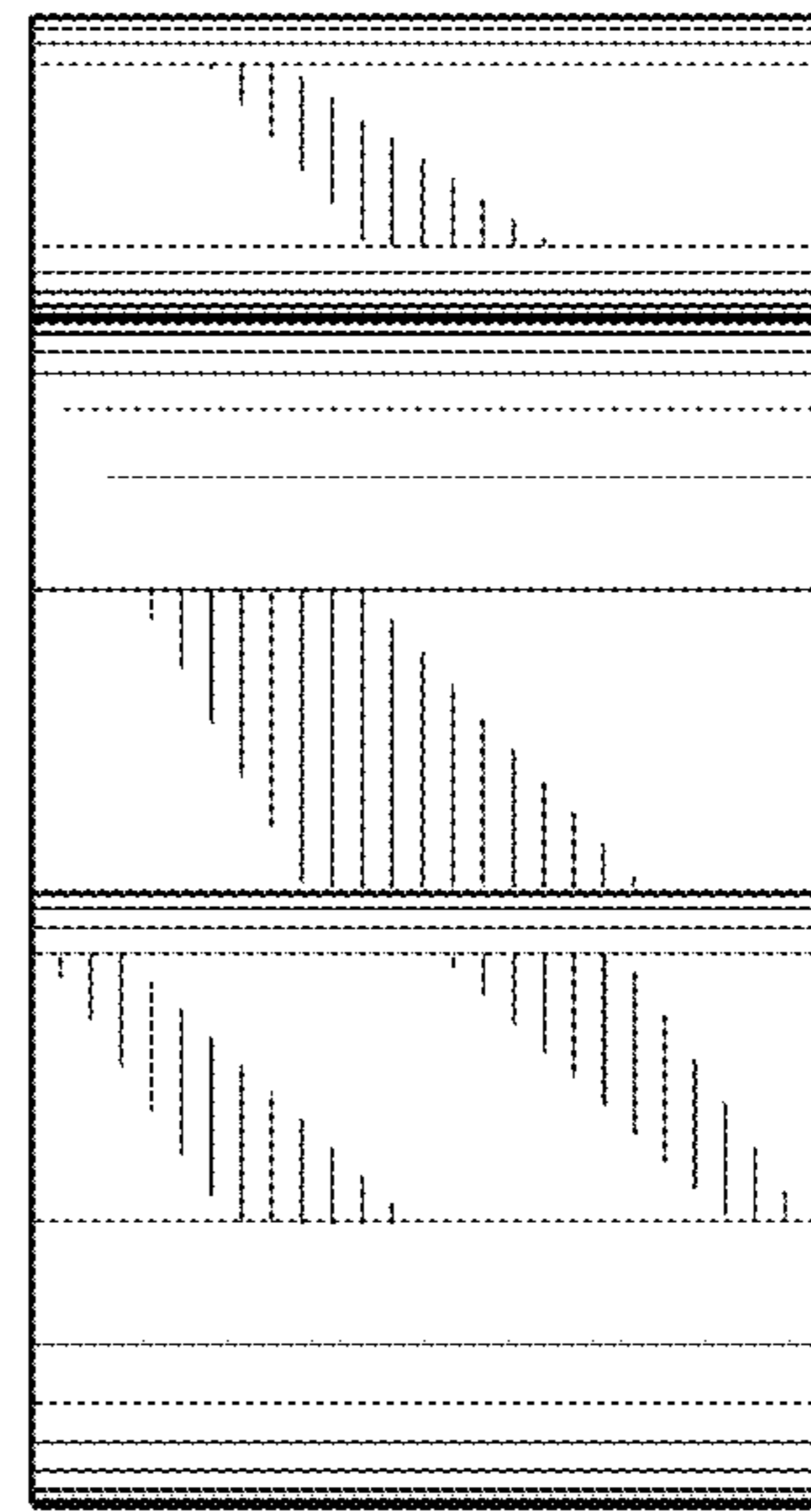


FIG. 6

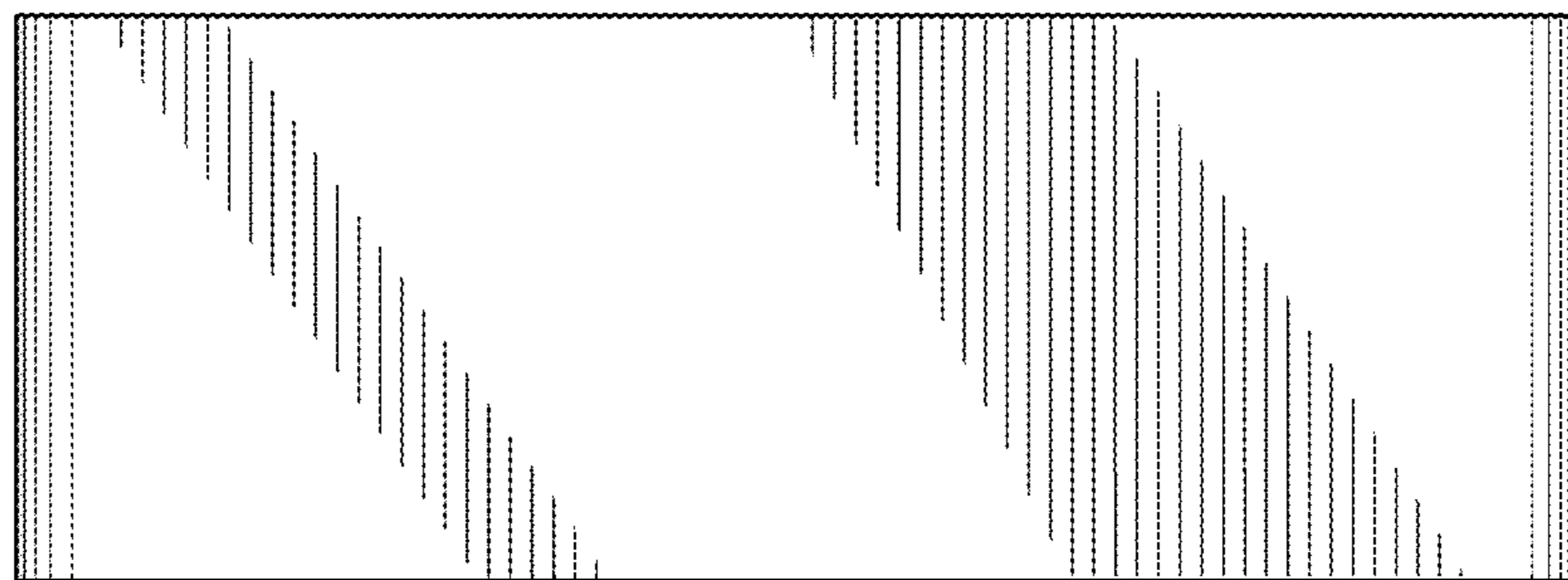


FIG. 7

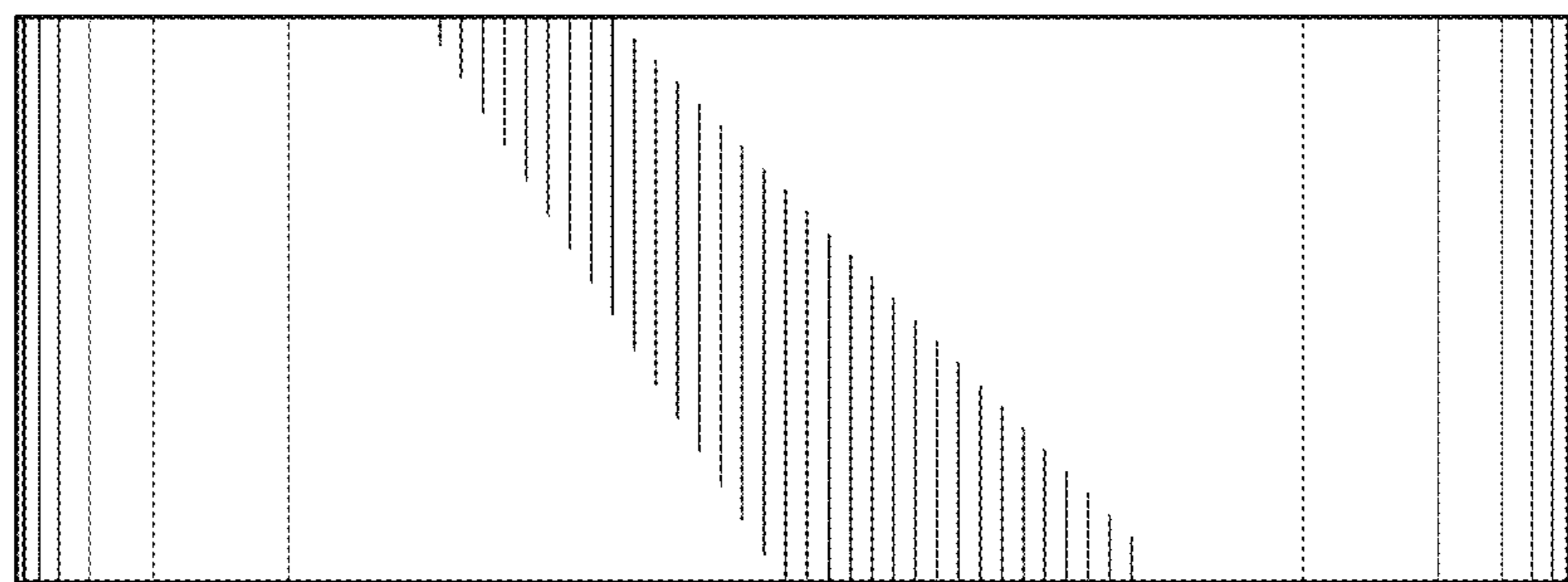


FIG. 8