



US00D772797S

(12) **United States Design Patent** (10) **Patent No.:** **US D772,797 S**
Ono (45) **Date of Patent:** **** Nov. 29, 2016**

(54) **TREAD PORTION OF AN AUTOMOBILE TIRE**

(71) Applicant: **BRIDGESTONE CORPORATION**,
Tokyo (JP)

(72) Inventor: **Takatoshi Ono**, Tokyo (JP)

(73) Assignee: **BRIDGESTONE CORPORATION**,
Tokyo (JP)

(**) Term: **15 Years**

(21) Appl. No.: **29/528,201**

(22) Filed: **May 27, 2015**

(30) **Foreign Application Priority Data**

Nov. 28, 2014 (JP) 2014-026610

(51) **LOC (10) Cl.** **12-15**

(52) **U.S. Cl.**
USPC **D12/604; D12/595; D12/900**

(58) **Field of Classification Search**
USPC D12/568-604, 900
CPC B60C 1/0016; B60C 11/0306; B60C
11/0302; B60C 3/06; B60C 9/17
See application file for complete search history.

(56) **References Cited**

U.S. PATENT DOCUMENTS

D481,670 S * 11/2003 Harden, Jr. D12/595
D637,148 S * 5/2011 Tamura D12/579
D637,149 S * 5/2011 Yamaguchi D12/579

D637,150 S * 5/2011 Koshio D12/579
D647,041 S * 10/2011 Kojima D12/600
D652,370 S * 1/2012 Buchinger-Barnstorf ... D12/588
D686,973 S * 7/2013 Otani D12/588
D719,907 S * 12/2014 Ohara D12/588
D738,814 S * 9/2015 Otani D12/588
D746,224 S * 12/2015 Drake D12/600
D748,046 S * 1/2016 Kitajima D12/588
D751,494 S * 3/2016 Nobunaga D12/588

* cited by examiner

Primary Examiner — Robert M Spear

Assistant Examiner — John Voytek

(74) *Attorney, Agent, or Firm* — Sughrue Mion, PLLC

(57) **CLAIM**

The ornamental design for a tread portion of an automobile tire, as shown and described.

DESCRIPTION

FIG. 1 is a perspective view of a tread portion of an automobile tire showing my design; FIG. 2 is a front view thereof; FIG. 3 is a right side view thereof; FIG. 4 is a left side view thereof; FIG. 5 is a rear view thereof; FIG. 6 is a fragmentary enlarged front view surrounded by line 6-6 and 6-6 in FIG. 2; FIG. 7 is a section view taken along line 7-7 in FIG. 6; and, FIG. 8 is a section view taken along line 8-8 in FIG. 6. The dark gray stippled shading represents tread grooves having the depths shown in FIGS. 7 and 8. The broken lines show portions of the tire that are not being claimed, and thus form no part of the claimed design.

1 Claim, 8 Drawing Sheets

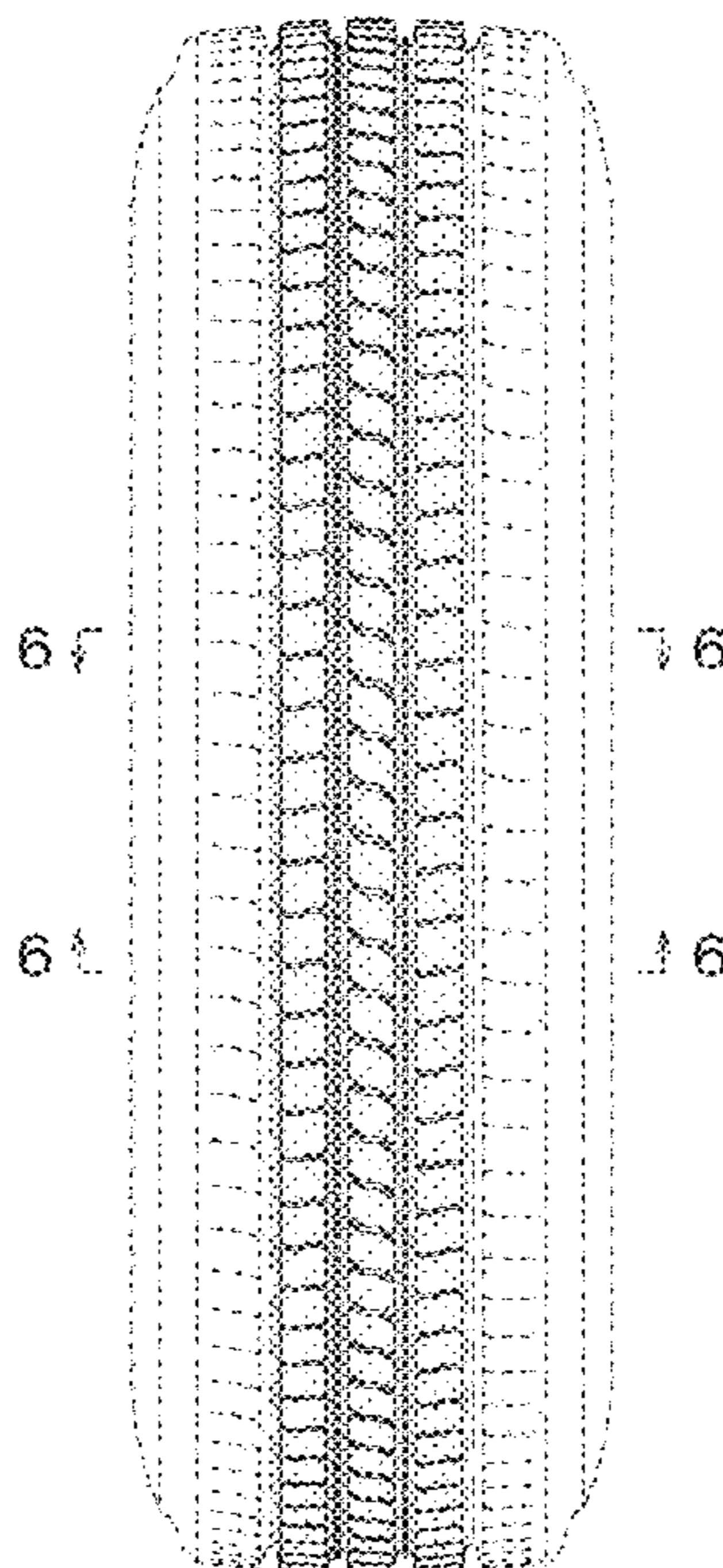


FIG. 1

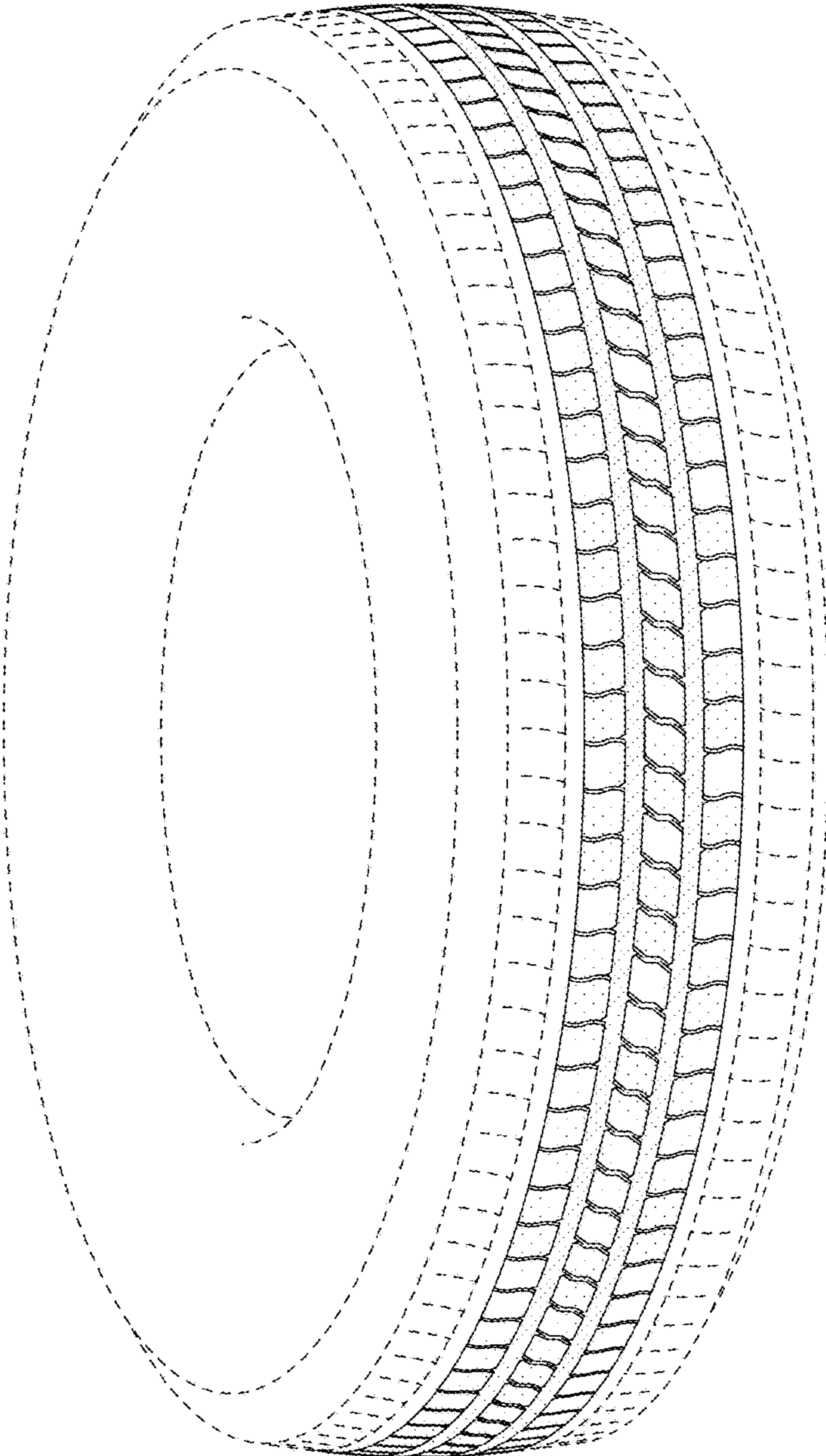


FIG. 2

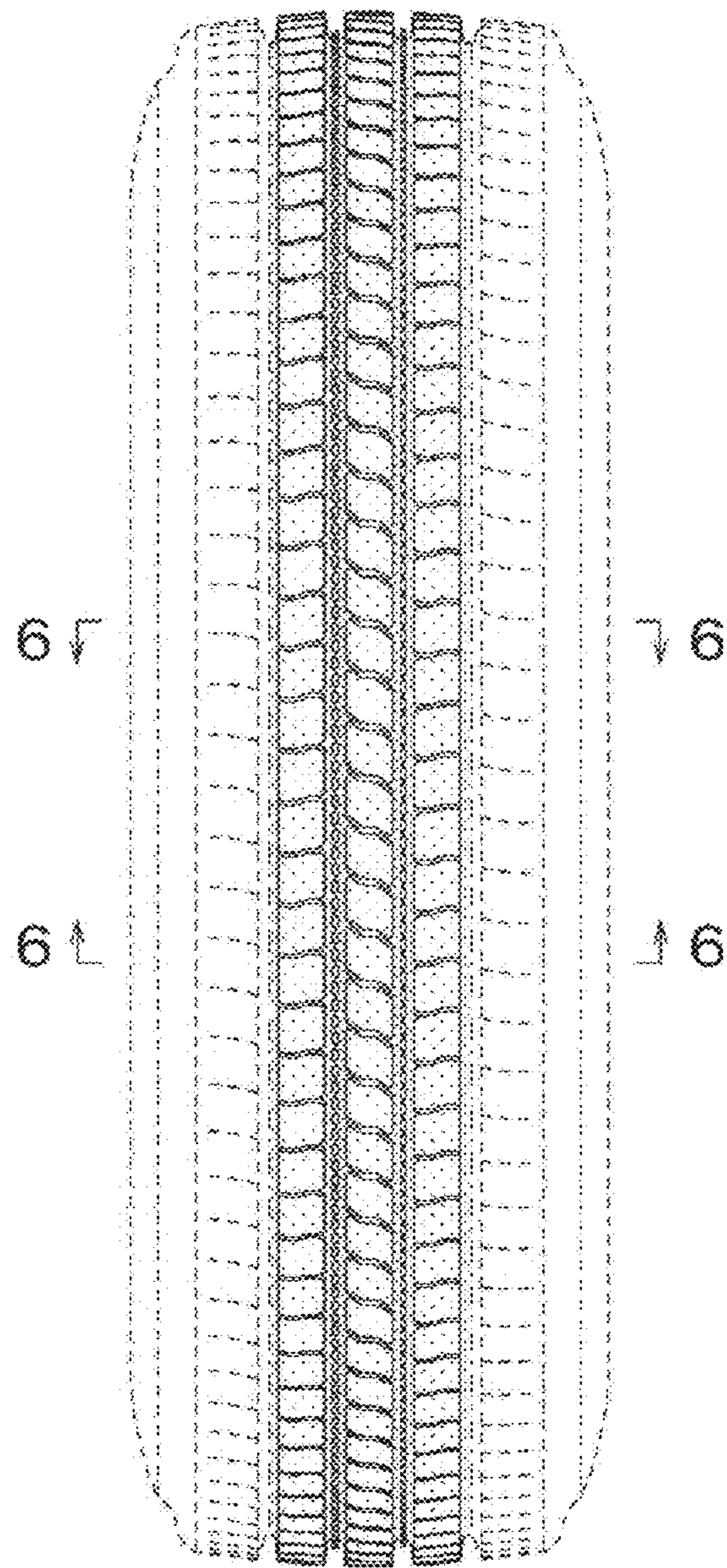


FIG. 3

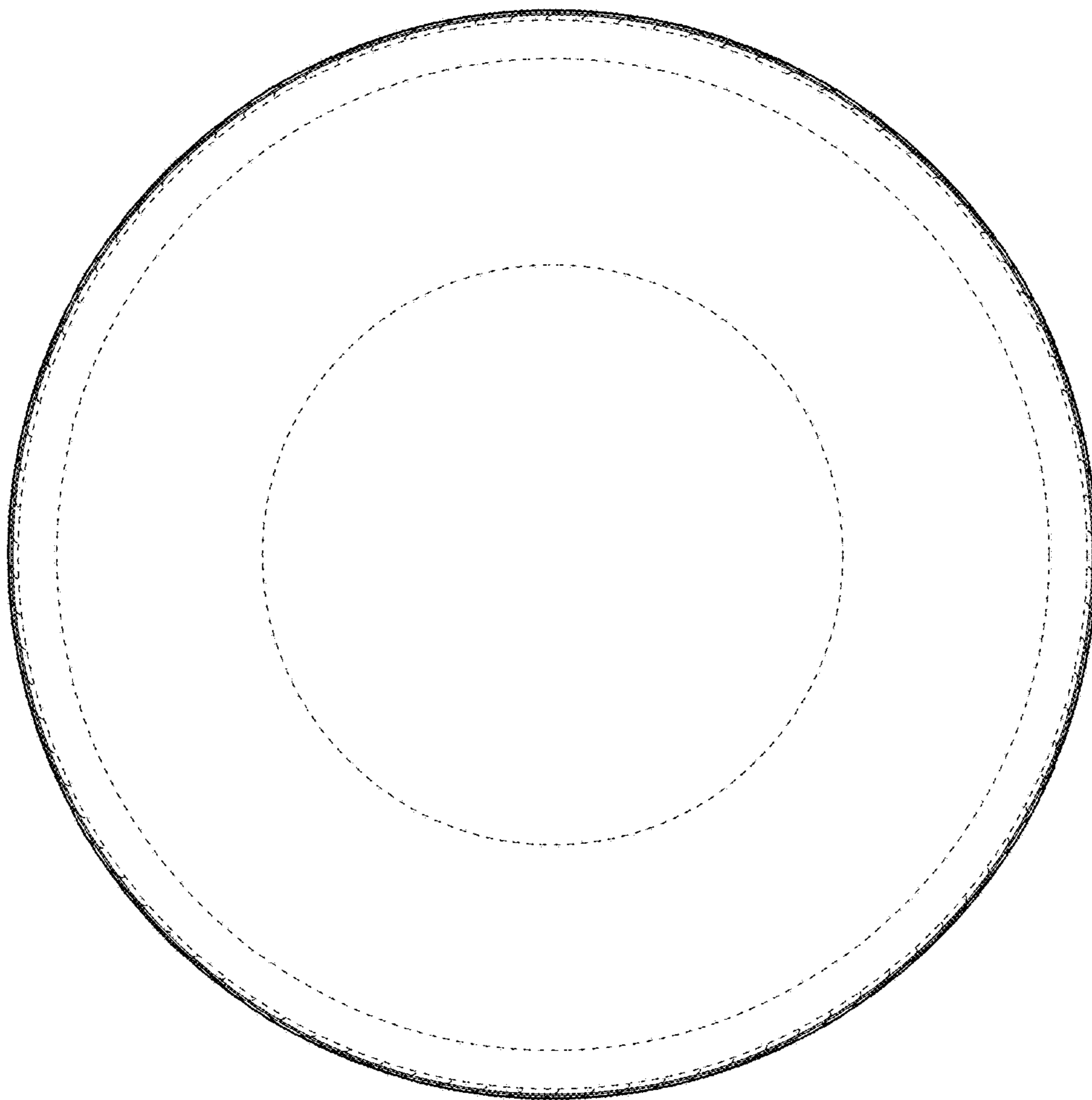


FIG. 4

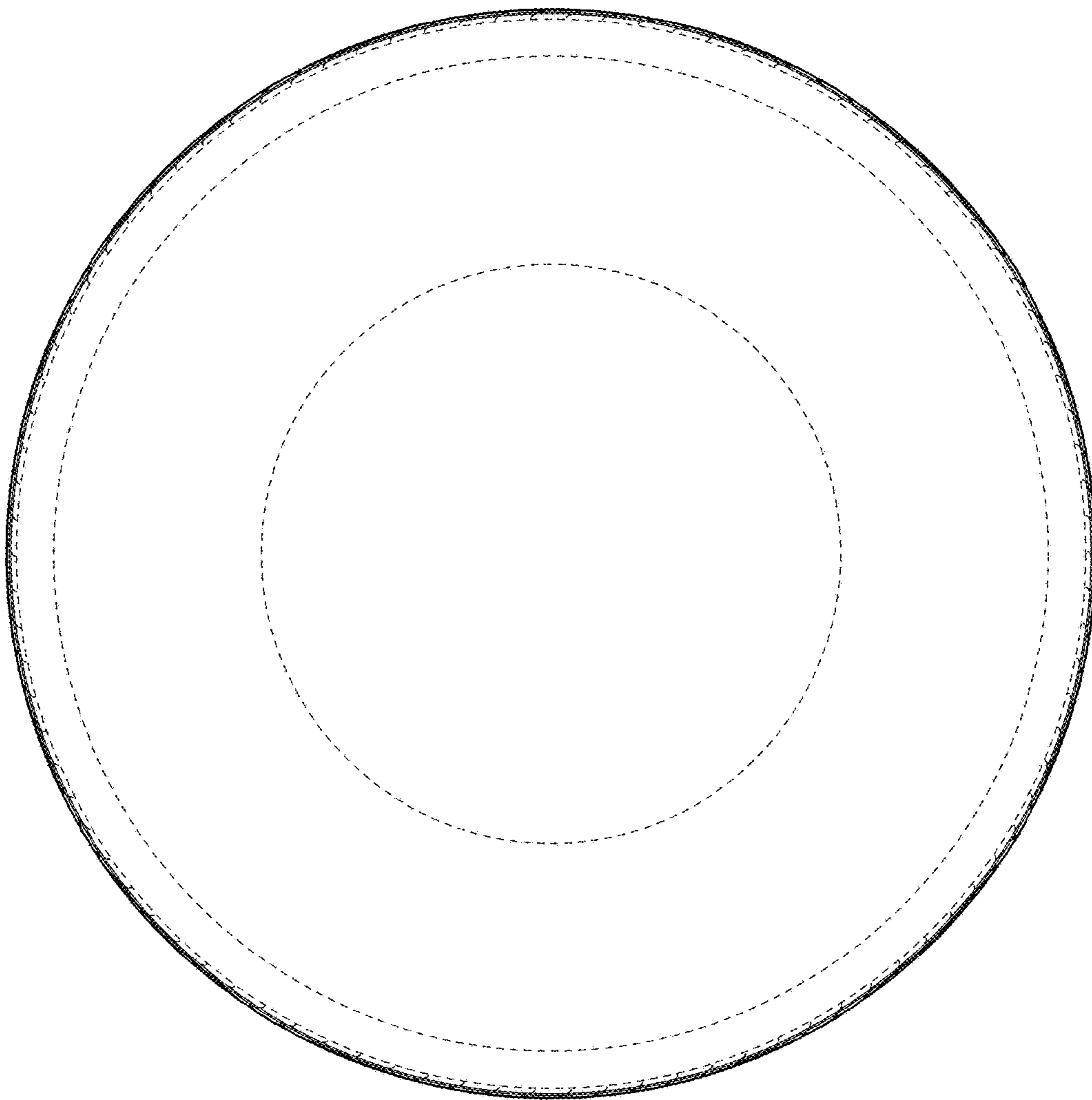


FIG. 5

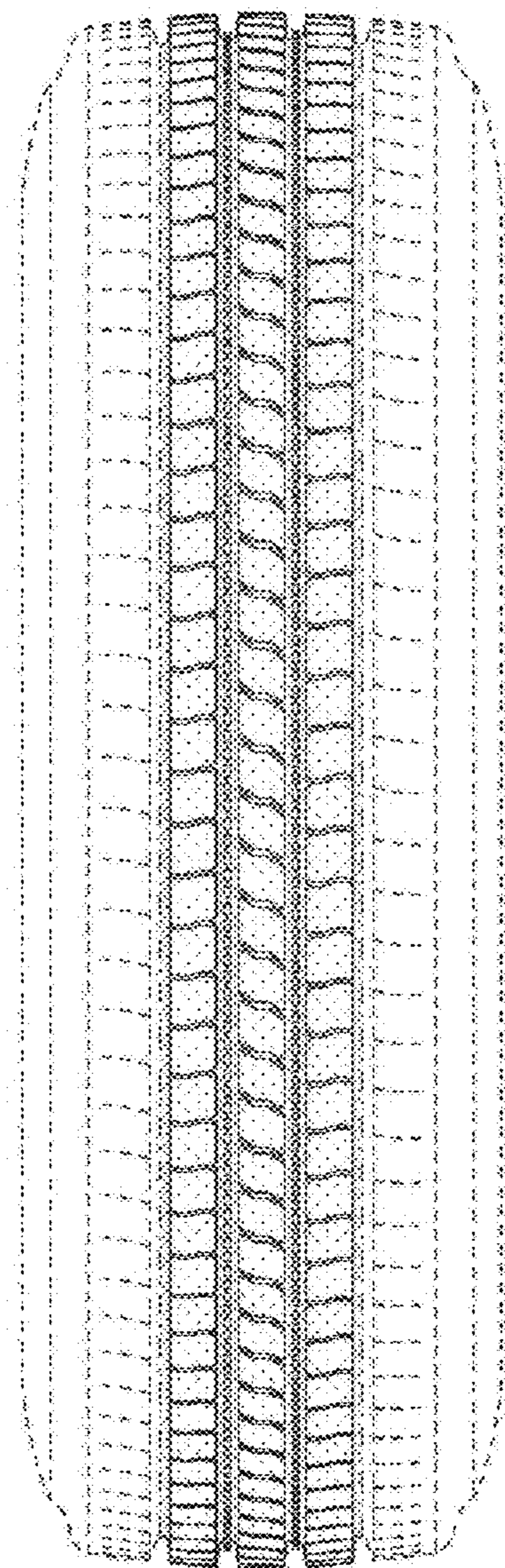


FIG. 6

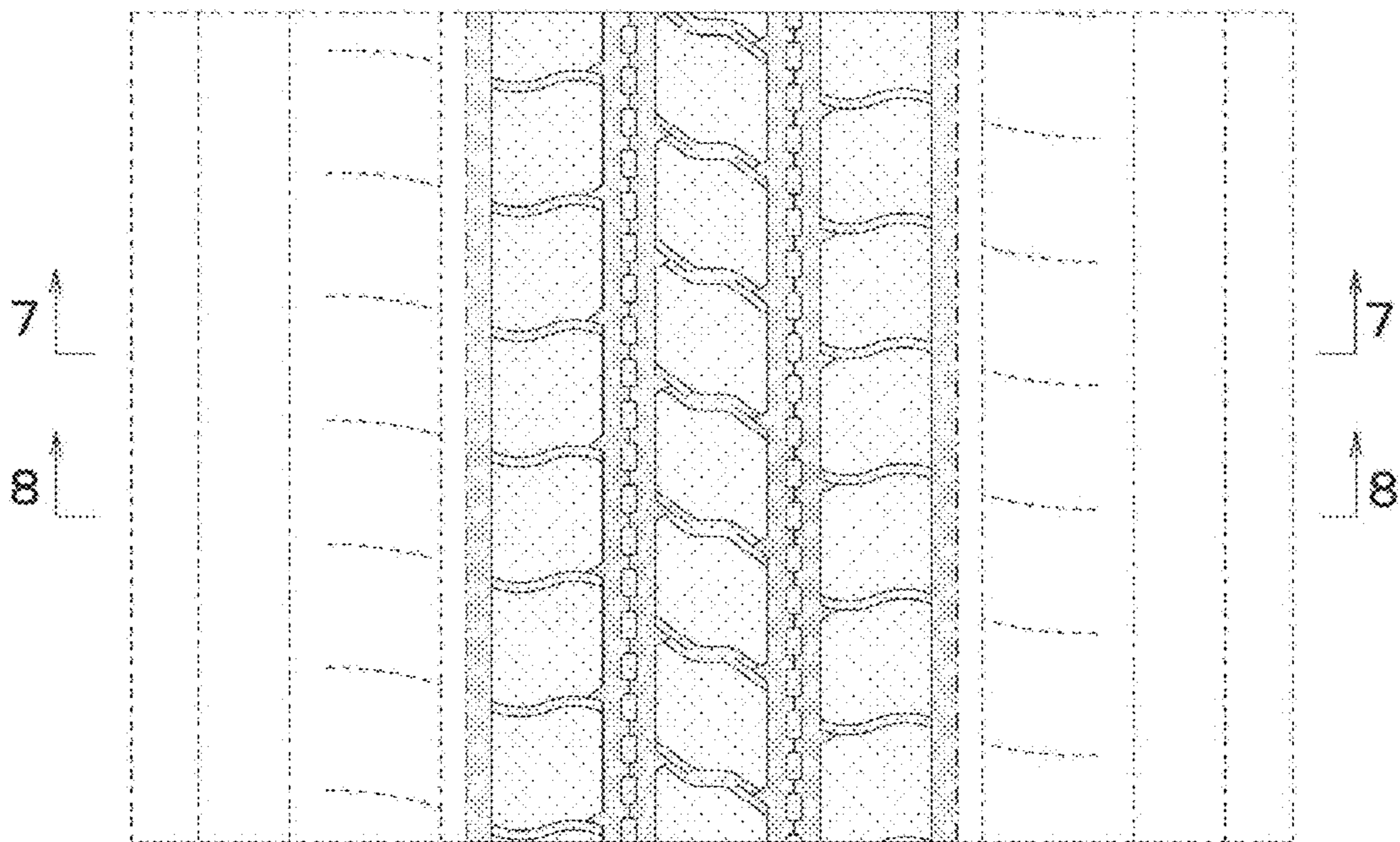


FIG. 7

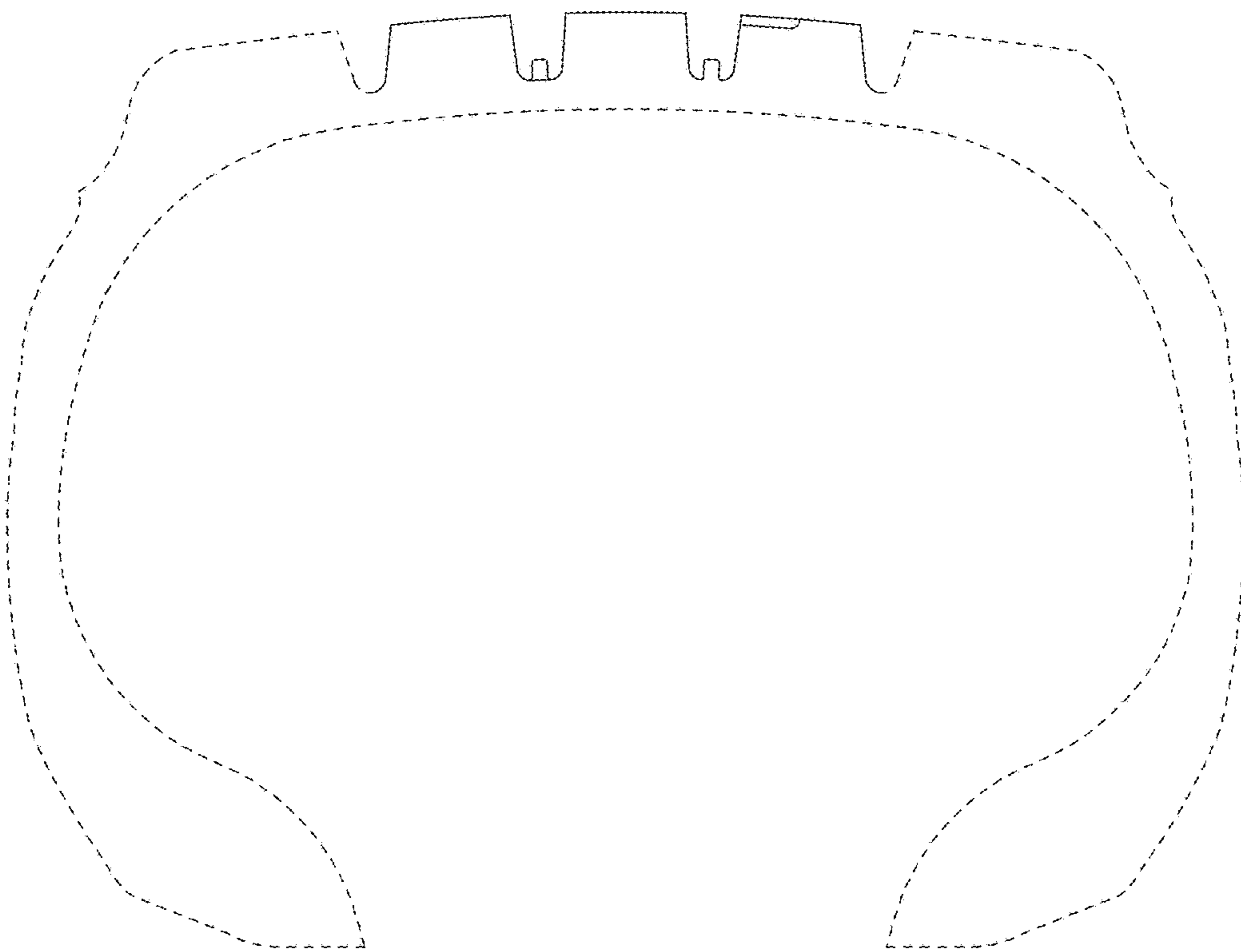


FIG. 8

