



US00D772794S

(12) **United States Design Patent** (10) **Patent No.:** **US D772,794 S**  
**Dixon et al.** (45) **Date of Patent:** **\*\* Nov. 29, 2016**

- (54) **TIRE**
- (71) Applicant: **The Goodyear Tire & Rubber Company**, Akron, OH (US)
- (72) Inventors: **Max Harold Dixon**, Kent, OH (US);  
**Alexander Dominic Garcia**, Stow, OH (US)
- (73) Assignee: **The Goodyear Tire & Rubber Company**, Akron, OH (US)
- (\*\*) Term: **15 Years**
- (21) Appl. No.: **29/535,376**
- (22) Filed: **Aug. 6, 2015**
- (51) **LOC (10) Cl.** ..... **12-15**
- (52) **U.S. Cl.**  
USPC ..... **D12/588**; D12/589
- (58) **Field of Classification Search**  
USPC ..... D12/568-604, 900  
CPC ..... B60C 1/0016; B60C 11/0306; B60C 11/0302; B60C 3/06; B60C 9/17  
See application file for complete search history.

(56) **References Cited**

**U.S. PATENT DOCUMENTS**

D367,445 S *	2/1996	Attinello .....	D12/588
D386,453 S	11/1997	Guspodin .....	D12/146
D388,374 S	12/1997	Lim et al. ....	D12/147
D394,029 S	5/1998	Gillard et al. ....	D12/141
D422,246 S	4/2000	Fierro et al. ....	D12/146
D445,371 S *	7/2001	Allison .....	D12/586
D455,997 S	4/2002	Fierro et al. ....	D12/527
D488,770 S	4/2004	Sundkvist et al. ....	D12/588
D531,572 S	11/2006	Schmalix et al. ....	D12/588
D535,611 S	1/2007	Sundkvist et al. ....	D12/588
D585,364 S	1/2009	Shondel et al. ....	D12/600
D586,733 S	2/2009	Shinohara .....	D12/588
D589,437 S	3/2009	Beha et al. ....	D12/588
D593,937 S *	6/2009	Maxwell .....	D12/588
D607,812 S	1/2010	Dixon et al. ....	D12/587
D610,969 S *	3/2010	Dixon .....	D12/587
D622,212 S	8/2010	Dixon et al. ....	D12/600
D635,916 S *	4/2011	Krier .....	D12/588

D637,144 S *	5/2011	Shinohara .....	D12/588
D643,804 S	8/2011	Dixon et al. ....	D12/594
D645,806 S	9/2011	Dixon et al. ....	D12/579
D669,024 S *	10/2012	Oji .....	D12/590
D669,421 S *	10/2012	Stuckey .....	D12/588
D709,820 S *	7/2014	Rohweder .....	D12/586

(Continued)

*Primary Examiner* — Robert M Spear

*Assistant Examiner* — John Voytek

(74) *Attorney, Agent, or Firm* — Robert N. Lipsik

(57) **CLAIM**

The ornamental Design for a tire, as shown and described.

**DESCRIPTION**

FIG. 1 is a perspective view of a tire showing our new design, it being understood that the pattern repeats uniformly throughout the circumference of the tread;

FIG. 2 is a front elevational view thereof;

FIG. 3 is a right side elevational view thereof; the opposite side elevational view being identical thereto;

FIG. 4 is an enlarged fragmentary front elevational view thereof;

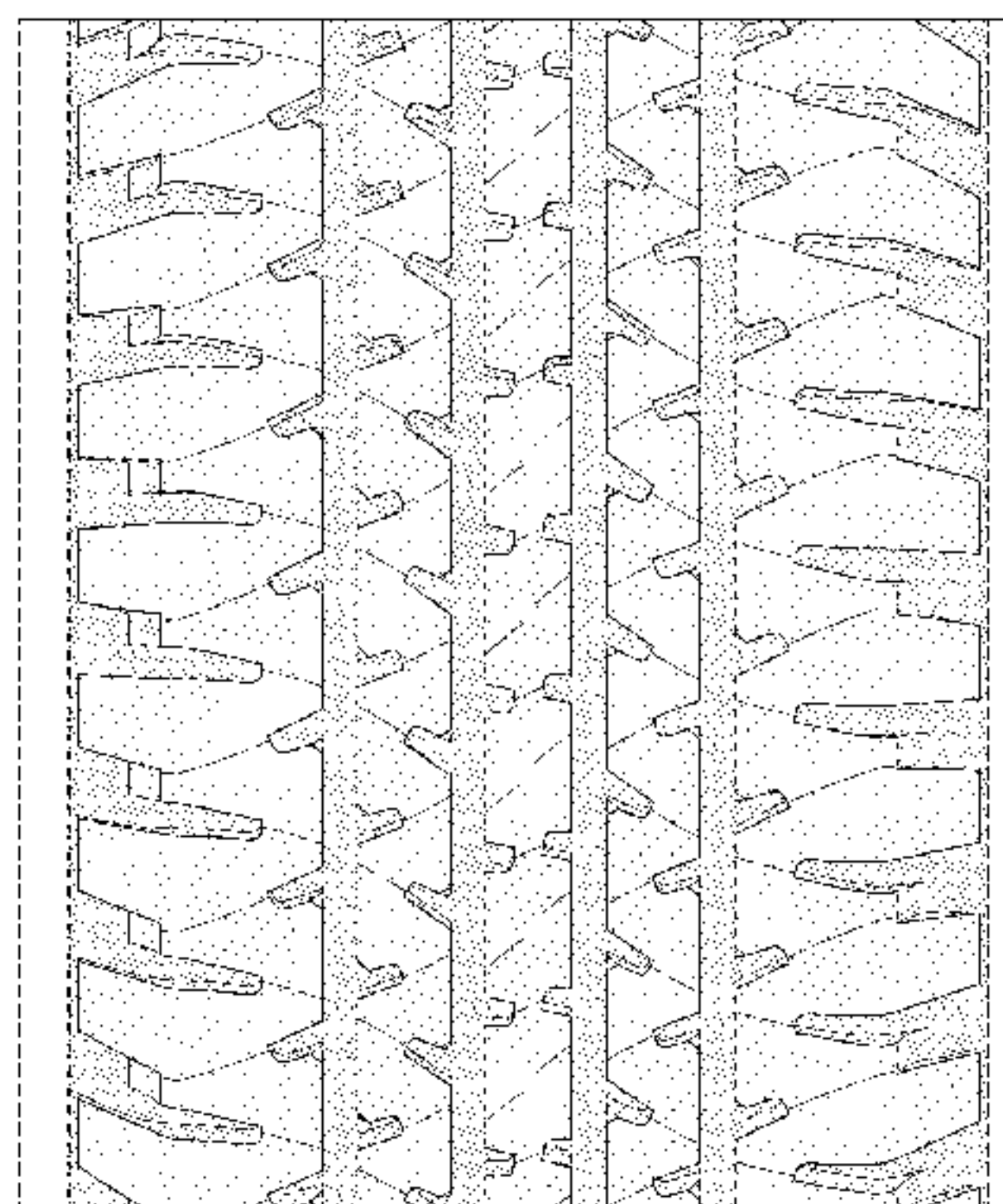
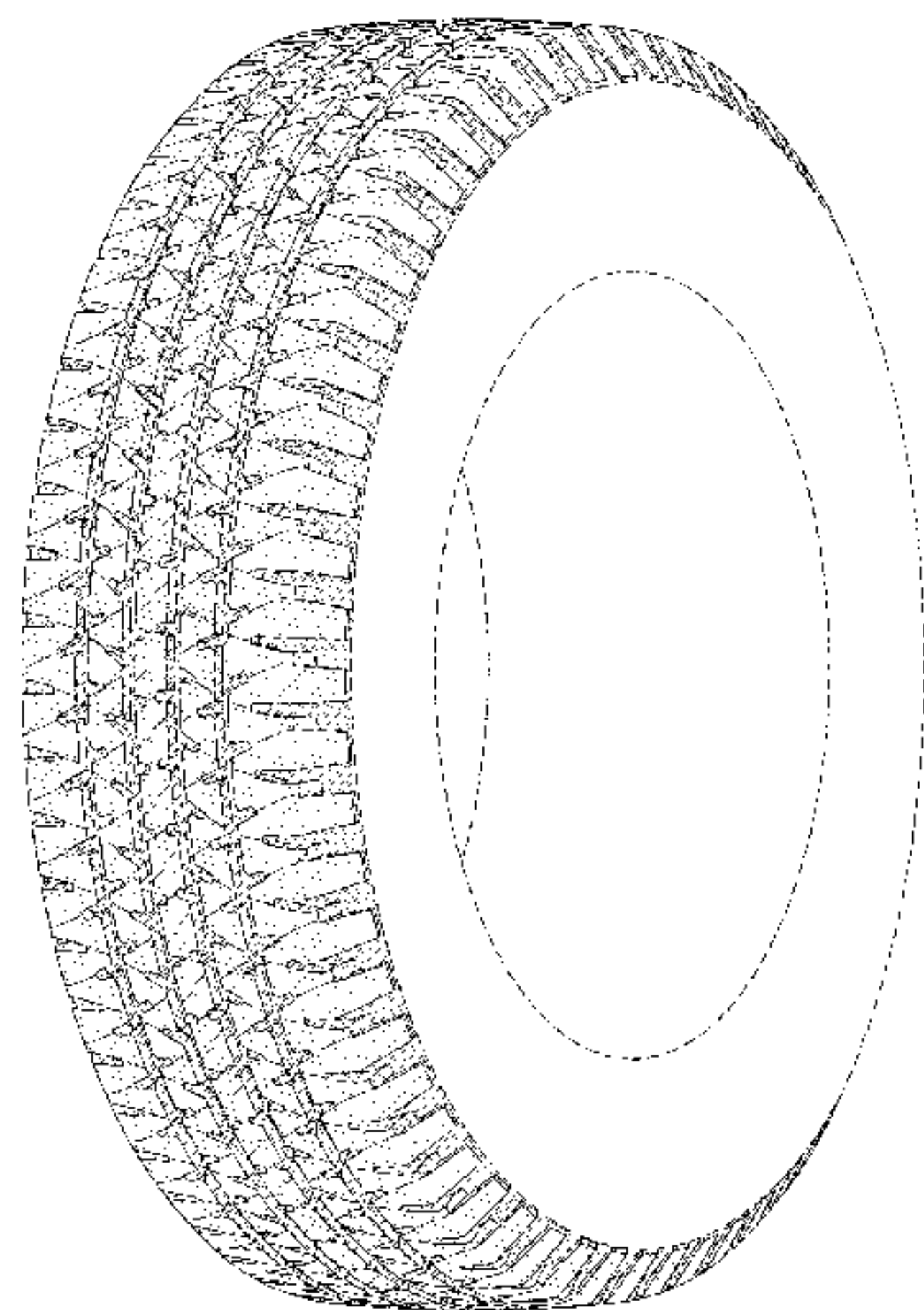
FIG. 5 is a perspective view of a second embodiment of a tire showing our new design, it being understood that the pattern repeats uniformly throughout the circumference of the tread and that the opposite side view is identical thereto; and,

FIG. 6 is a front elevational view of a second embodiment, it being understood that an enlarged fragmentary view thereof would be substantially identical to that shown in FIG. 4, with the exception of the inclusion of the sidewall in the claim.

In the drawings, the broken lines showing of the sidewall, inner bead and the peripheral boundary between the tire tread and the sidewall in FIGS. 1 through 4 depict environmental subject matter and form no part of the claimed design.

The dark stippled surface shading represents the recessed portion of the tread grooves having a depth as best shown in FIG. 2.

**1 Claim, 6 Drawing Sheets**



# US D772,794 S

Page 2

---

(56)

## References Cited

### U.S. PATENT DOCUMENTS

D713,330 S	*	9/2014	Tomida .....	D12/588	
D715,216 S		10/2014	Dixon et al. ....	D12/600	* cited by examiner
D715,217 S		10/2014	Dixon et al. ....	D12/600	
D734,714 S	*	7/2015	Grote .....	D12/601	
D735,645 S	*	8/2015	Drake .....	D12/588	
D740,208 S	*	10/2015	Rohweder .....	D12/584	



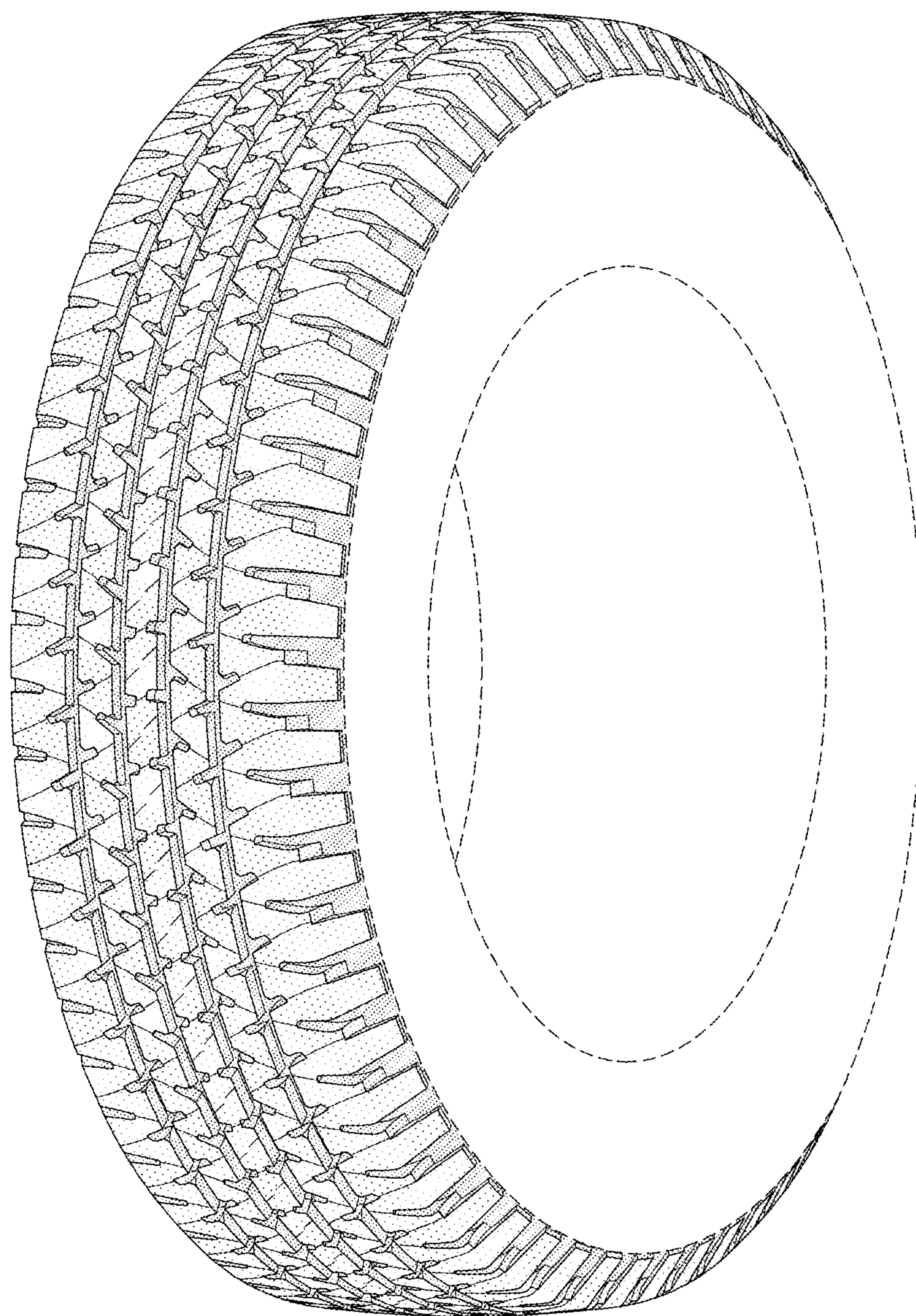


FIG-1

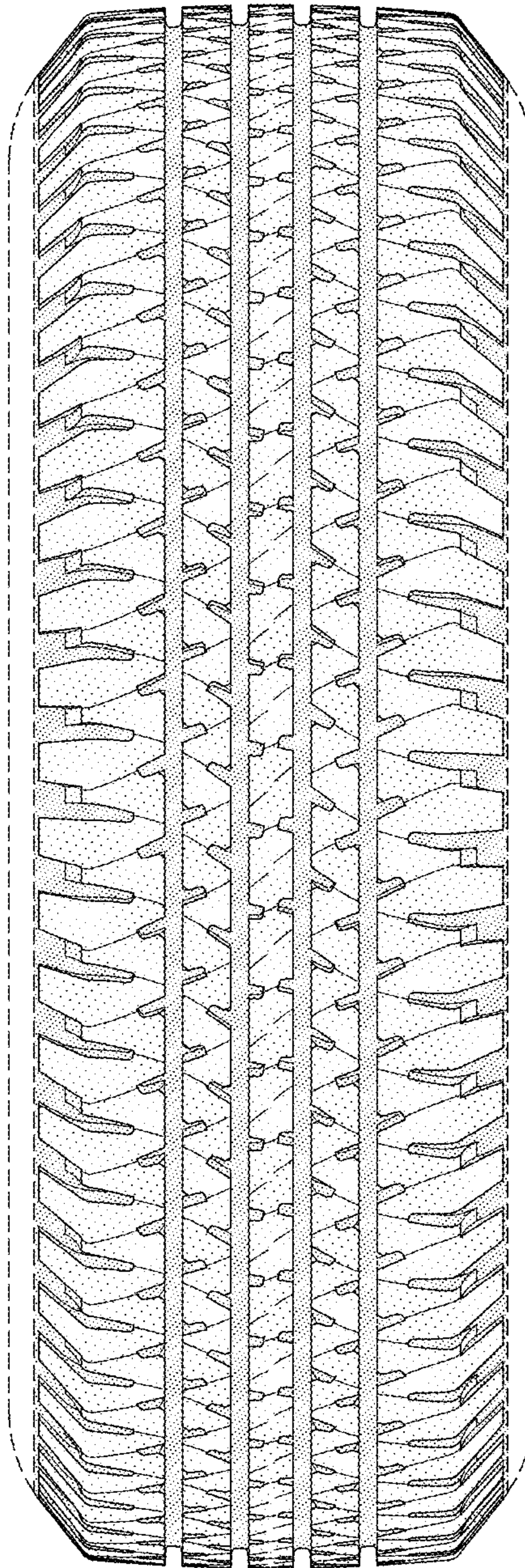


FIG-2



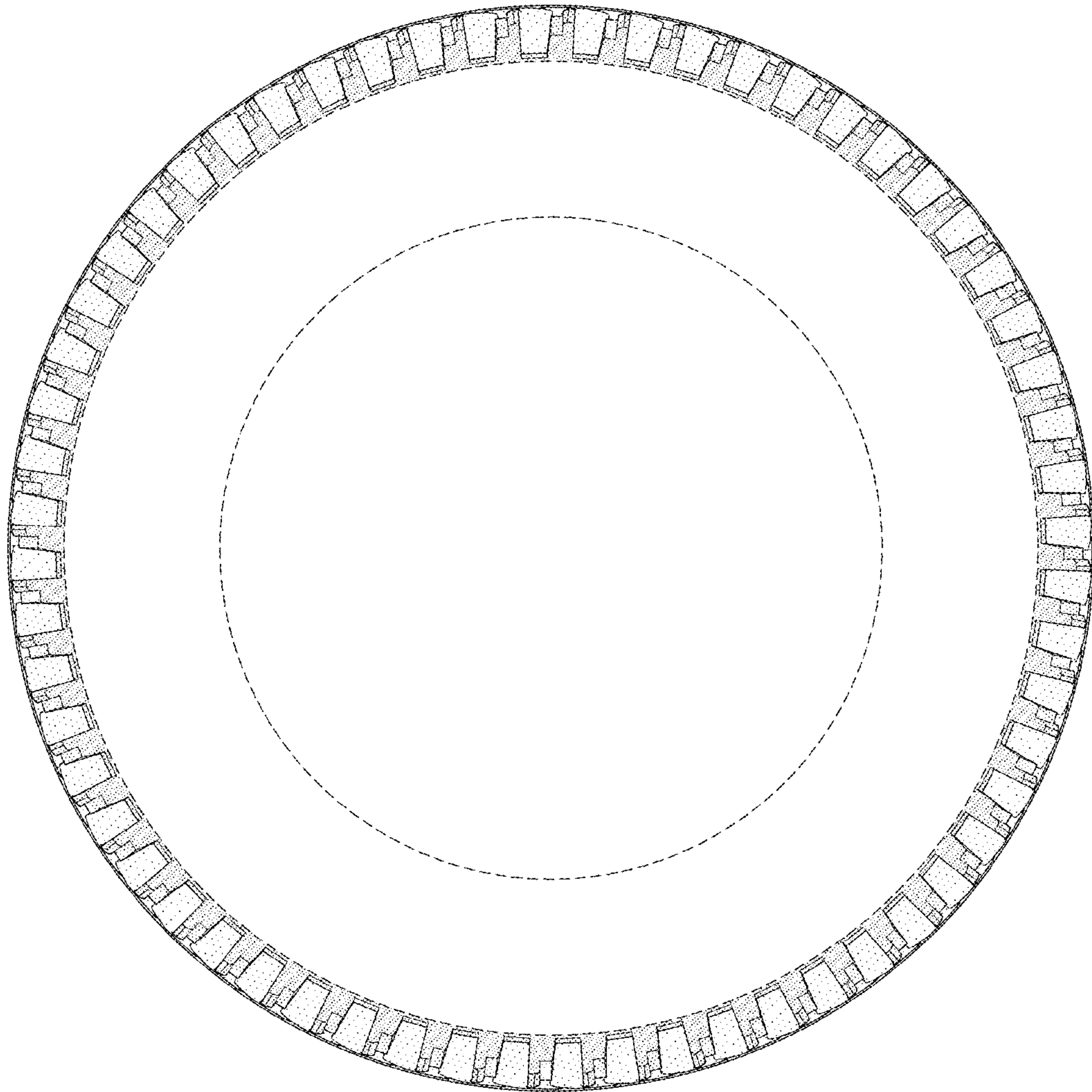


FIG-3

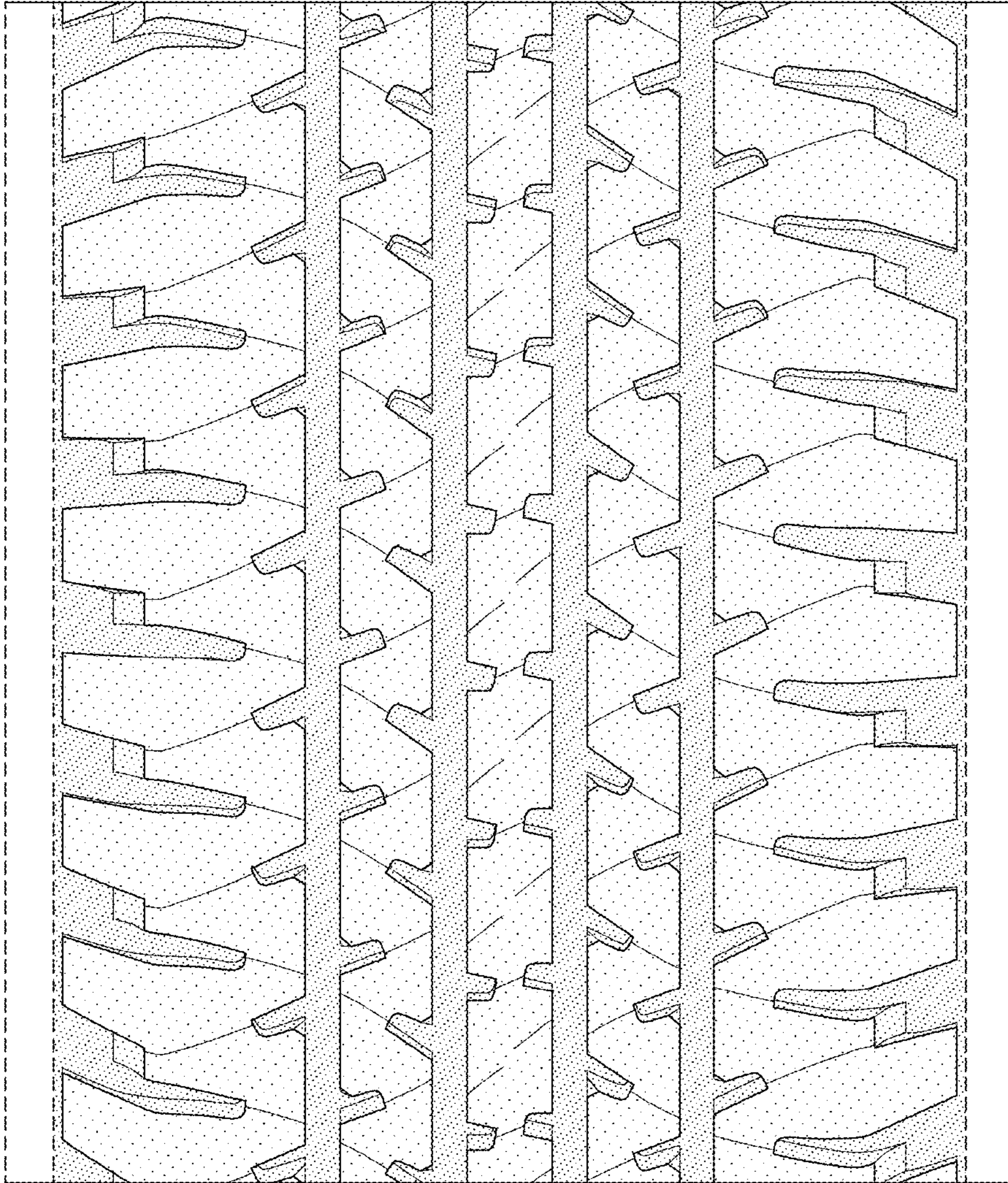


FIG-4



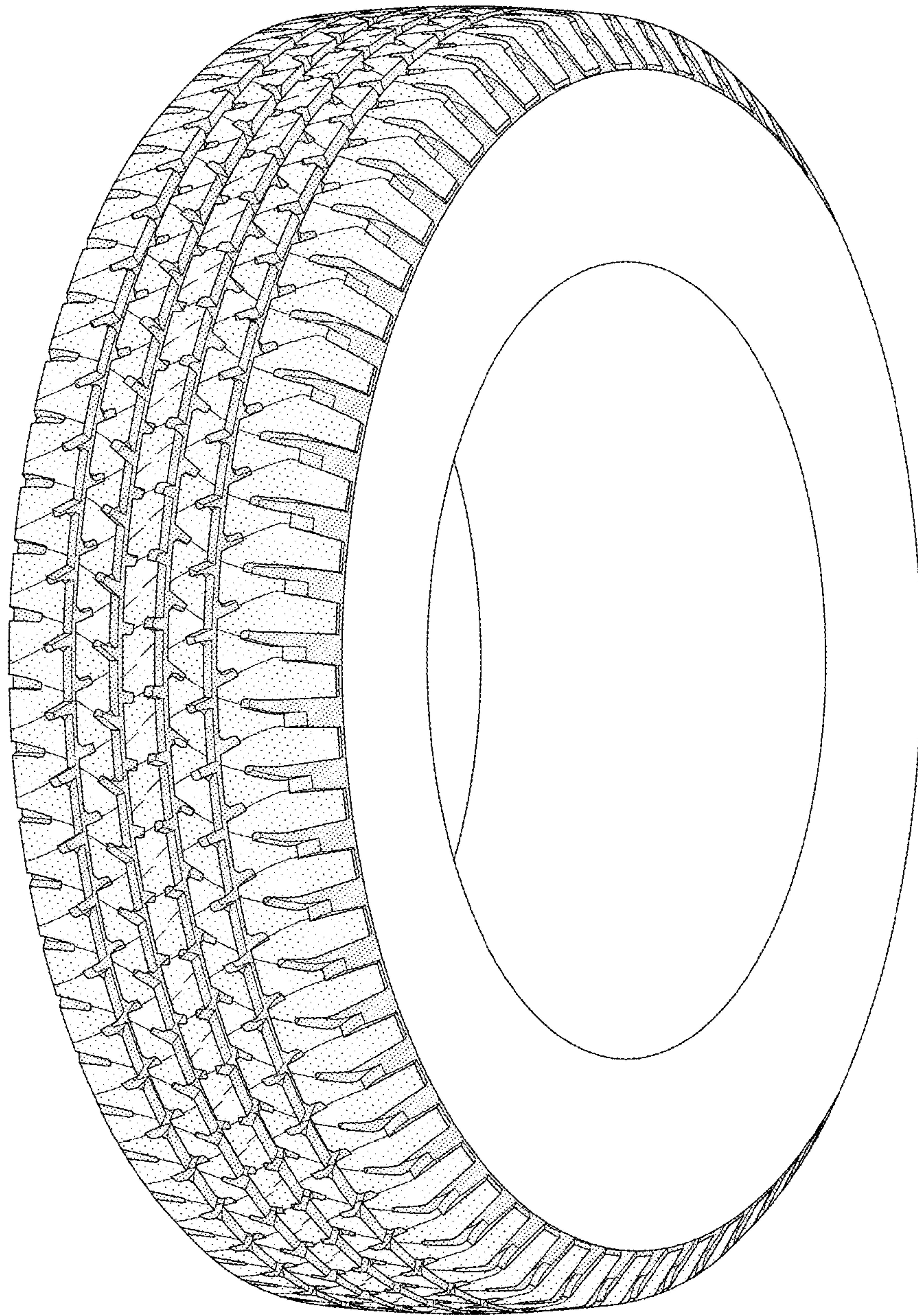


FIG-5

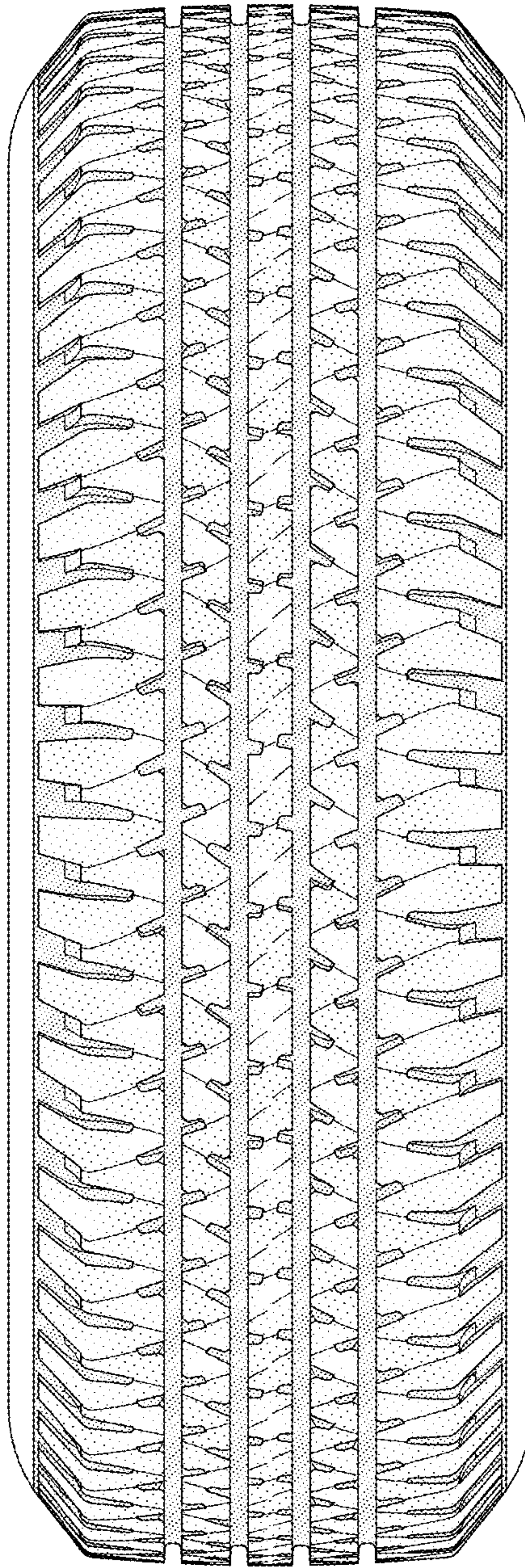


FIG-6