



US00D772788S

(12) **United States Design Patent**
Lundgren

(10) **Patent No.:** **US D772,788 S**

(45) **Date of Patent:** **** Nov. 29, 2016**

(54) **TIRE TREAD**

(71) Applicant: **Bridgestone Americas Tire Operations, LLC**, Nashville, TN (US)

(72) Inventor: **Paula R. Lundgren**, Akron, OH (US)

(73) Assignee: **Bridgestone Americas Tire Operations, Inc.**, Nashville, TN (US)

(**) Term: **15 Years**

(21) Appl. No.: **29/538,773**

(22) Filed: **Sep. 8, 2015**

(51) **LOC (10) Cl.** **12-15**

(52) **U.S. Cl.**
USPC **D12/531**

(58) **Field of Classification Search**
USPC D12/507, 519–532, 551–567, 586–603,
D12/145, 900, 901
CPC B60C 1/0016; B60C 11/0302–11/0318;
B60C 11/11–11/13; B60C 3/06; B60C 9/17;
B60C 2200/10
See application file for complete search history.

(56) **References Cited**

U.S. PATENT DOCUMENTS

D383,103 S *	9/1997	Ratliff, Jr.	D12/532
D422,247 S	4/2000	Gerresheim et al.	
D437,808 S	2/2001	Gerresheim et al.	
D460,402 S	7/2002	Ishida et al.	
D472,514 S	4/2003	Himuro	
D481,991 S	11/2003	Graas et al.	
D489,317 S	5/2004	Yamane et al.	
D489,675 S	5/2004	Ochi	
D490,046 S	5/2004	Fukunaga	
D490,363 S	5/2004	Miyasaka et al.	
D502,443 S	3/2005	Tomatsu et al.	
D504,386 S	4/2005	Seifert	
D505,108 S	5/2005	Bonko et al.	
D509,787 S *	9/2005	Okubo	D12/584
D526,270 S	8/2006	Miyasaka	

D547,716 S *	7/2007	Ochi	D12/518
D551,612 S	9/2007	Maxwell et al.	
D558,129 S	12/2007	Sato et al.	
D558,662 S	1/2008	Dumigan et al.	
D570,766 S	6/2008	Kiwaki	
D574,765 S	8/2008	Smith	
D578,955 S	10/2008	Fontaine et al.	
D581,345 S	11/2008	Lee et al.	
D585,014 S	1/2009	Kageyama	
D586,725 S	2/2009	Fontaine et al.	
D592,586 S	5/2009	Maxwell et al.	
D595,642 S	7/2009	Fontaine et al.	
D607,809 S	1/2010	Fontaine et al.	
D622,655 S	8/2010	Ohashi	

(Continued)

OTHER PUBLICATIONS

All Season vs Snow Tire—BMW Winter Test, by Boeriu, bmwblog.com [online], published Nov. 26, 2014, [retrieved Sep. 28, 2016], retrieved from the Internet <URL:http://www.bmwblog.com/2014/11/26/season-vs-snow-tire-bmw-winter-test/>.*

Primary Examiner — Cathron Brooks

Assistant Examiner — Ian Whitmore

(74) Attorney, Agent, or Firm — Shaun J. Fox

(57) **CLAIM**

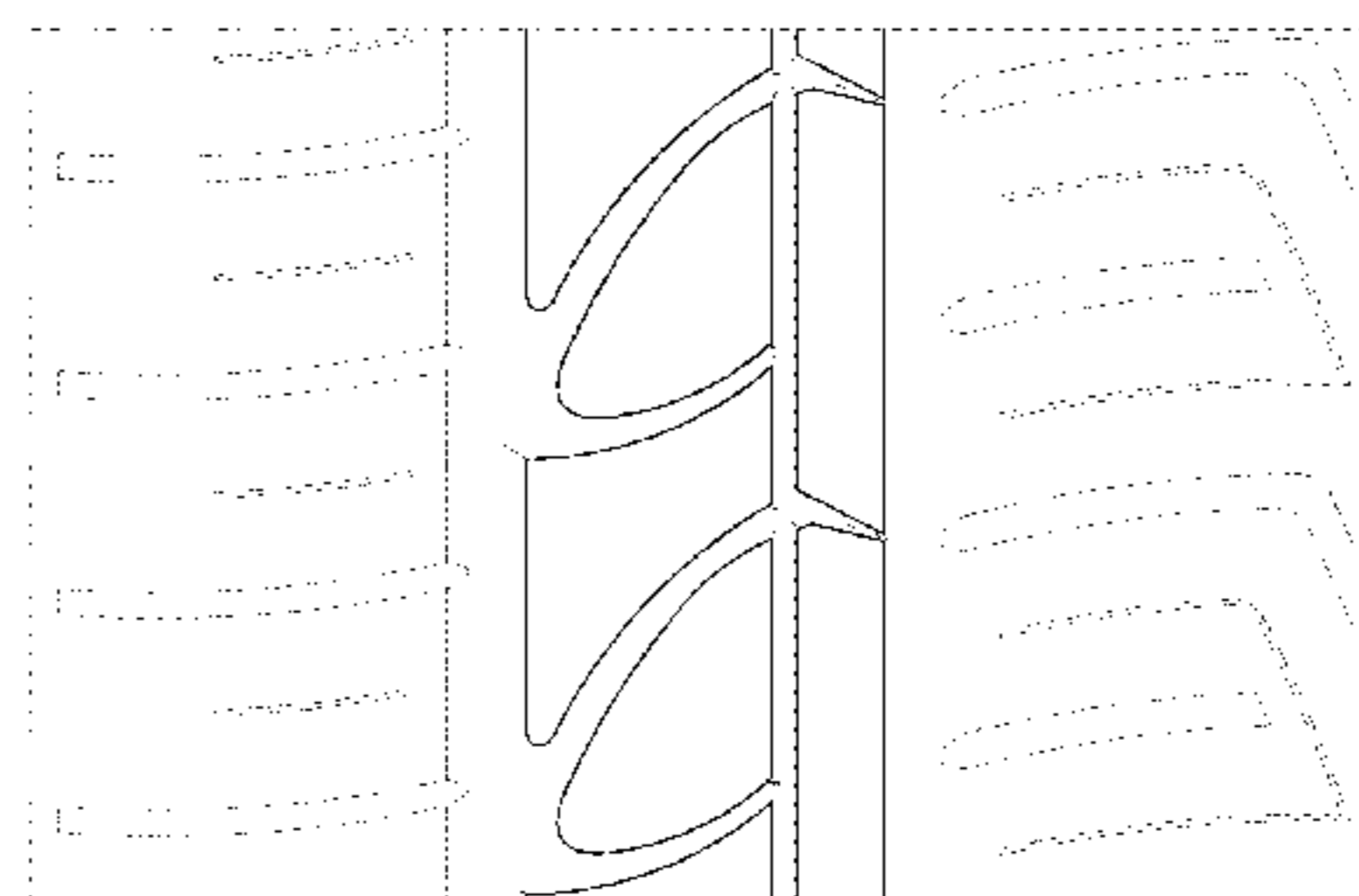
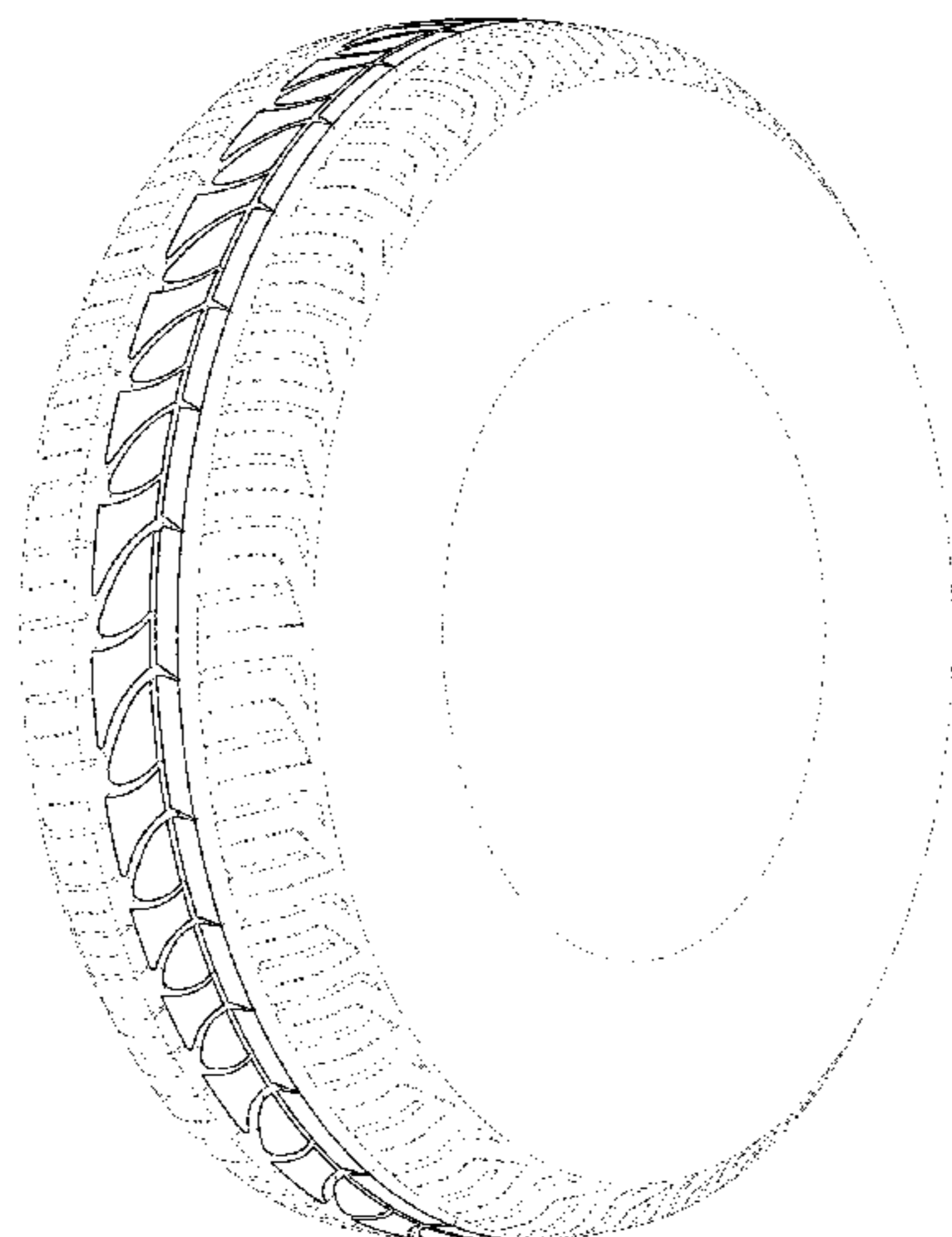
The ornamental design for a tire tread, as shown and described.

DESCRIPTION

FIG. 1 is a side perspective view of a tire tread showing my new design, it being understood that the tread pattern is repeated throughout the circumference of the tire tread; FIG. 2 is a front elevational view thereof, the opposite side being identical thereto; and, FIG. 3 is an enlarged fragmentary front elevational view thereof.

The broken lines defining the tread lug walls, sidewall, inner bead, and the tread shoulder ribs depict environmental subject matter that forms no part of the claimed design.

1 Claim, 3 Drawing Sheets



(56)

References Cited

U.S. PATENT DOCUMENTS

D630,574 S *	1/2011	Nakamura	D12/514	D663,677 S	7/2012	Hada	
D633,433 S	3/2011	Sieber et al.		D667,776 S	9/2012	Kaba	
D635,503 S	4/2011	Nakamura		8,267,135 B2	9/2012	Ochi	
D641,305 S	7/2011	de Briey-Terlinden		D675,975 S *	2/2013	Nakamura	D12/531
D644,981 S	9/2011	Ohashi		D686,971 S	7/2013	Nakamura et al.	
D647,458 S	10/2011	Bauer et al.		D701,822 S	4/2014	Bindner et al.	
D651,158 S	12/2011	Berryman et al.		D709,437 S	7/2014	Fu	
D652,366 S	1/2012	Regallis		D717,237 S	11/2014	Bardin et al.	
D661,241 S *	6/2012	Sareen	D12/515	D724,010 S	3/2015	Lim et al.	
				D730,807 S *	6/2015	Lundgren	D12/514
				2009/0178745 A1 *	7/2009	Ikegami	B60C 11/0309 152/209.8

* cited by examiner

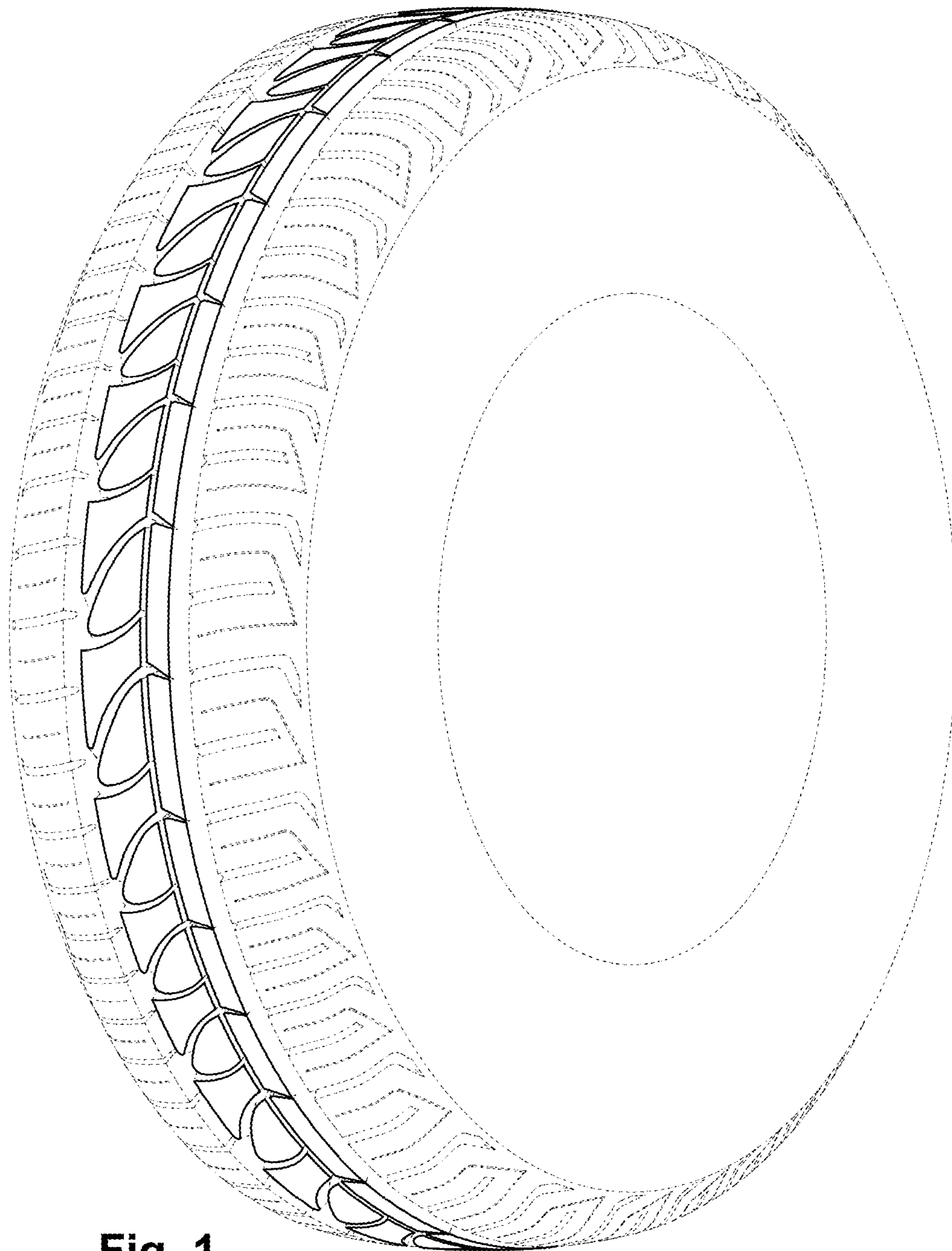


Fig. 1

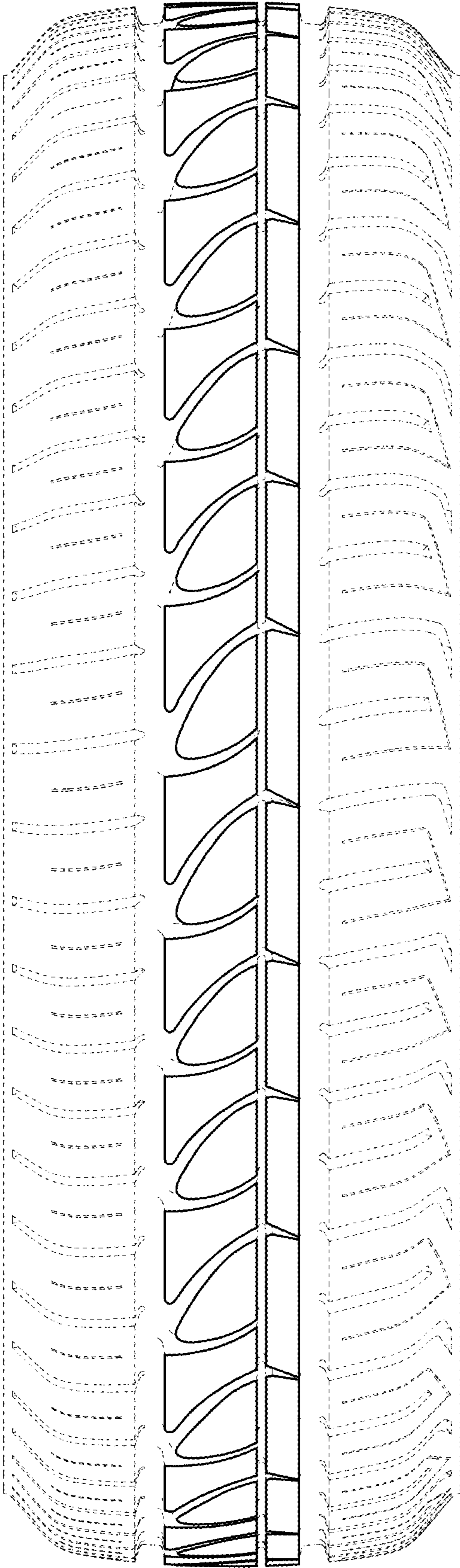


Fig. 2

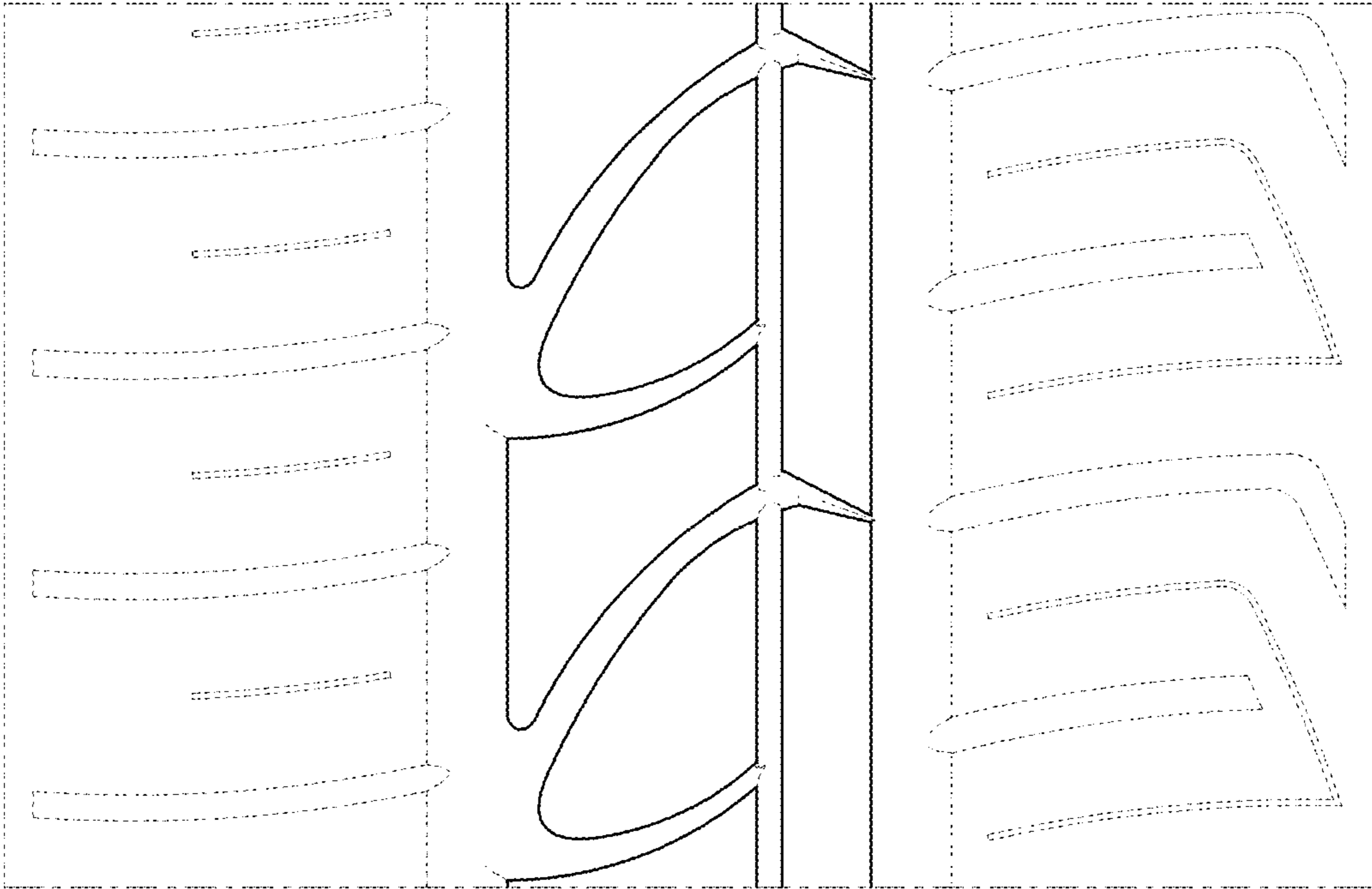


Fig. 3