



US00D772786S

(12) **United States Design Patent**
Morito et al.

(10) **Patent No.:** **US D772,786 S**

(45) **Date of Patent:** **** Nov. 29, 2016**

(54) **AUTOMOBILE TIRE**

(71) Applicant: **THE YOKOHAMA RUBBER CO., LTD.**, Minato-ku, Tokyo (JP)

(72) Inventors: **Takumi Morito**, Tokyo (JP); **Takuya Inoue**, Hiratsuka (JP)

(73) Assignee: **THE YOKOHAMA RUBBER CO., LTD.**, Minato-ku, Tokyo (JP)

(**) Term: **14 Years**

(21) Appl. No.: **29/524,551**

(22) Filed: **Apr. 21, 2015**

(30) **Foreign Application Priority Data**

Oct. 21, 2014 (JP) 2014-023536

(51) **LOC (10) Cl.** **12-15**

(52) **U.S. Cl.**
USPC **D12/523**

(58) **Field of Classification Search**

USPC D12/500-532, 900-901
CPC B60C 11/0304; B60C 11/0302; B60C 11/0306; B60C 11/0309; B60C 11/0318; B60C 11/0311; B60C 11/042; B60C 11/13; B60C 11/00; B60C 11/11; B60C 11/12
See application file for complete search history.

(56) **References Cited**

U.S. PATENT DOCUMENTS

D447,097 S * 8/2001 Graas D12/523
D460,402 S * 7/2002 Ishida D12/523
D515,018 S * 2/2006 Umstot D12/519
D606,002 S * 12/2009 Yamakawa D12/523

D624,007 S * 9/2010 Metz D12/519
D634,261 S * 3/2011 Schmalix D12/519
D644,593 S * 9/2011 Fontaine D12/523
D667,359 S * 9/2012 Ishida D12/523
D732,462 S * 6/2015 Bindner D12/523
D743,872 S * 11/2015 Huang D12/519
D753,049 S * 4/2016 Koishikawa D12/523

* cited by examiner

Primary Examiner — Stacia Cadmus

(74) *Attorney, Agent, or Firm* — Banner & Witcoff, Ltd.

(57) **CLAIM**

The ornamental design for an automobile tire, as shown and described.

DESCRIPTION

FIG. 1 is a perspective view of an automobile tire showing our new design;

FIG. 2 is a front view thereof;

FIG. 3 is a rear view thereof;

FIG. 4 is a right side view thereof;

FIG. 5 is a left side view thereof;

FIG. 6 is a top view thereof;

FIG. 7 is a bottom view thereof;

FIG. 8 is a partially enlarged view of a portion defined by lines 8-8 shown in FIG. 1;

FIG. 9 is a partially enlarged view of a portion defined by lines 9-9 shown in FIG. 2; and,

FIG. 10 is a cross sectional view of a portion defined by lines 10-10 shown in FIG. 9.

The portions of the article in broken lines are shown for illustrative purposes only and form no part of the claimed design. The dot and dashed lines mean a boundary between the claimed portion and the non-claimed portion.

1 Claim, 10 Drawing Sheets

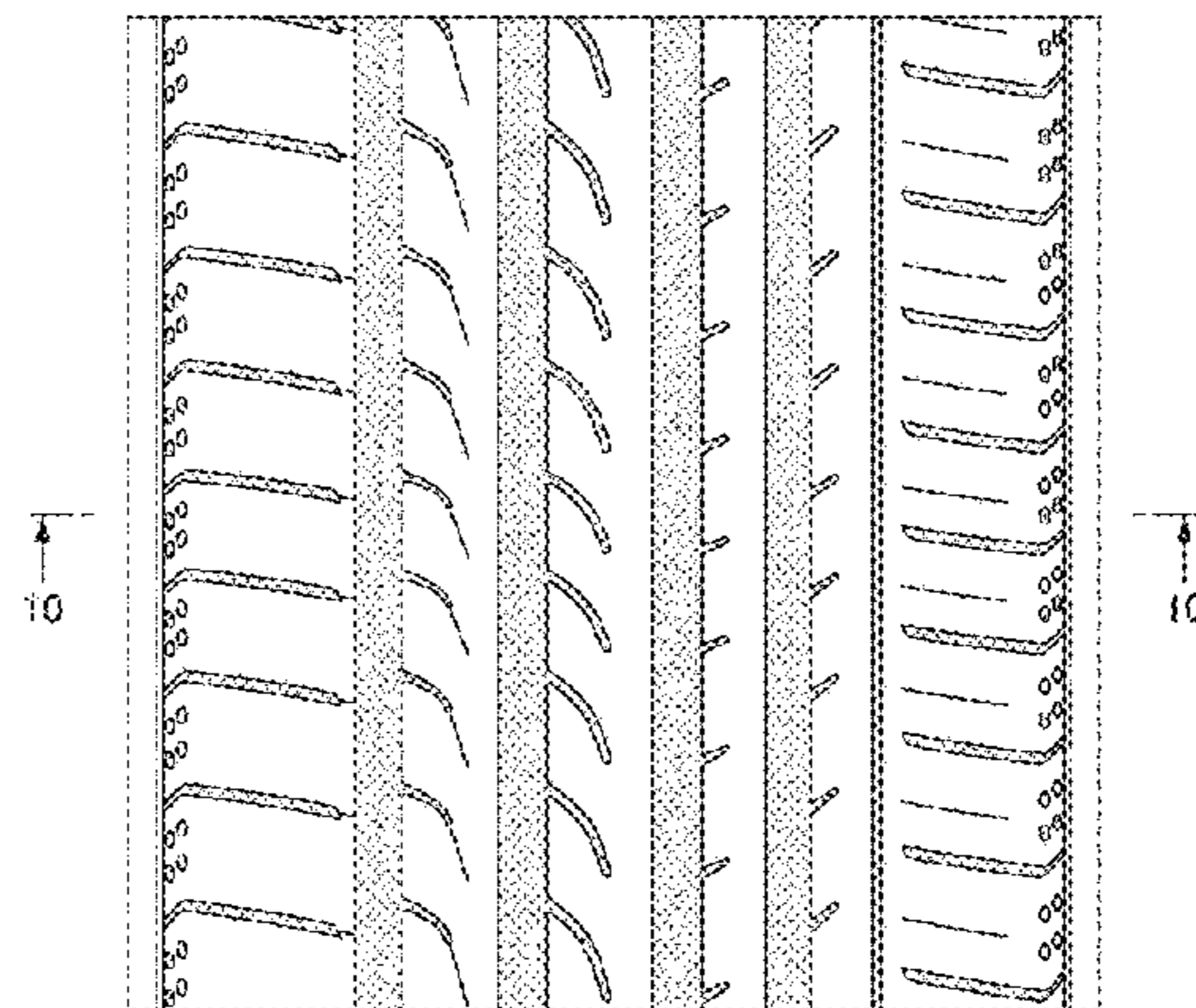
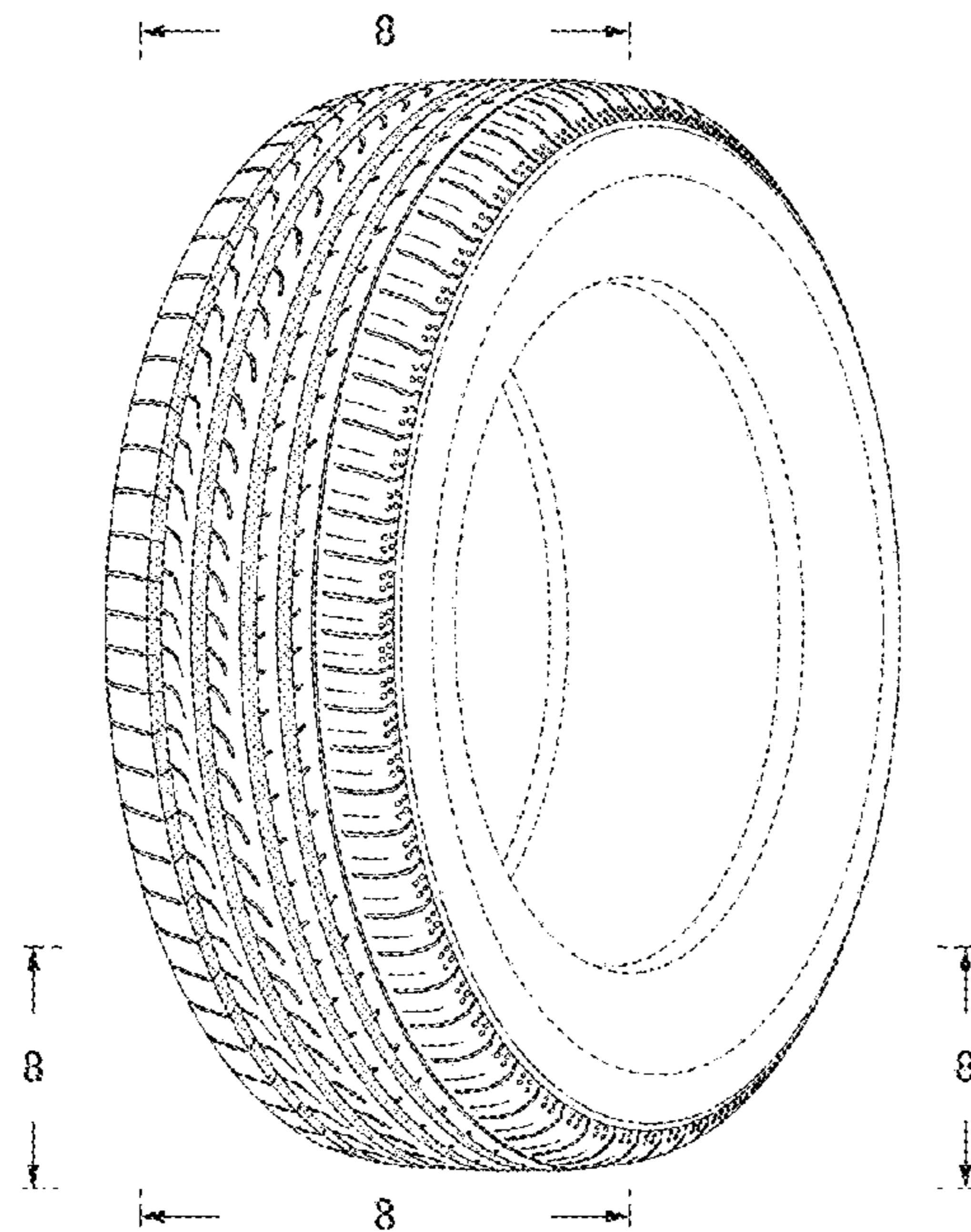


FIG. 1

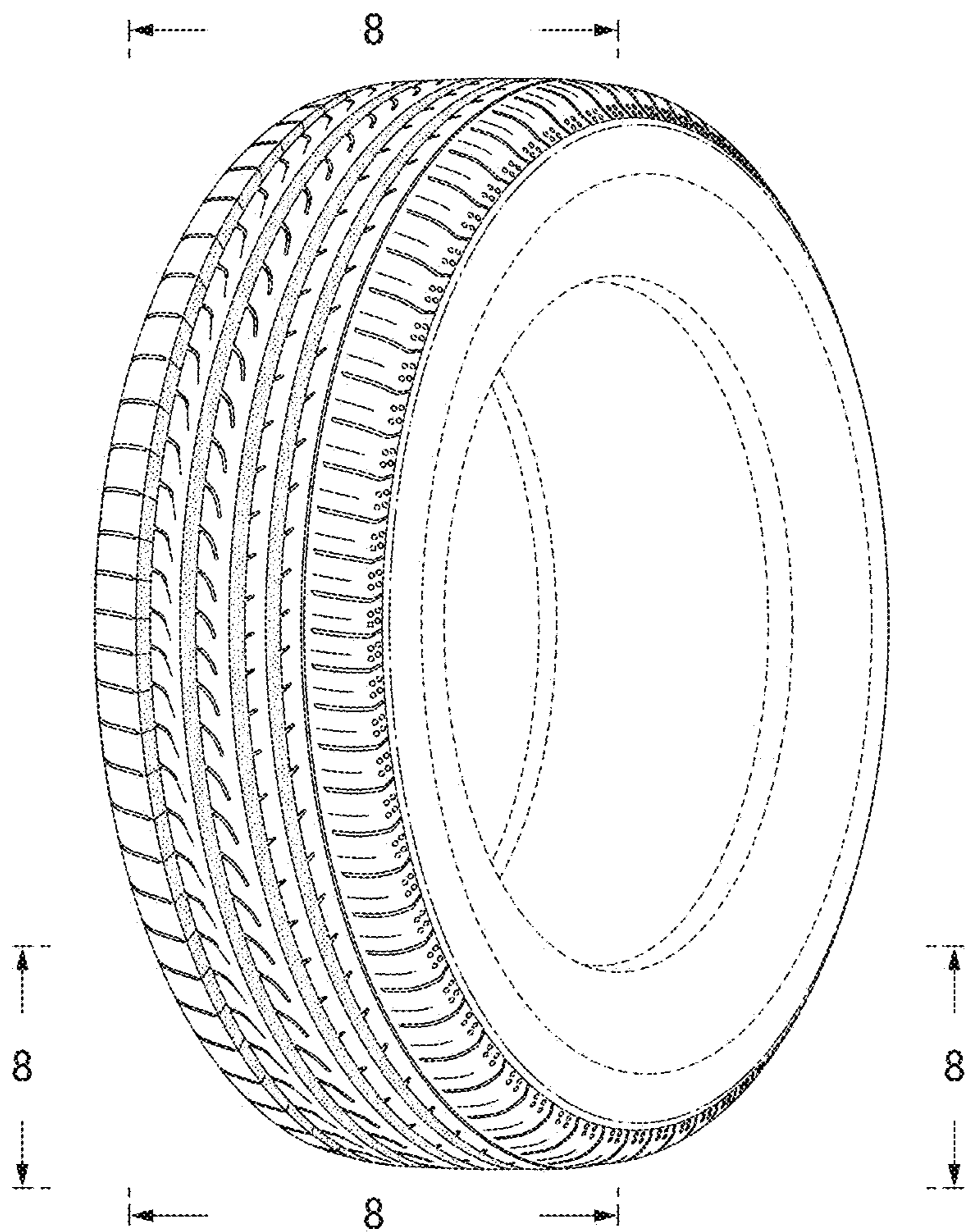


FIG. 2

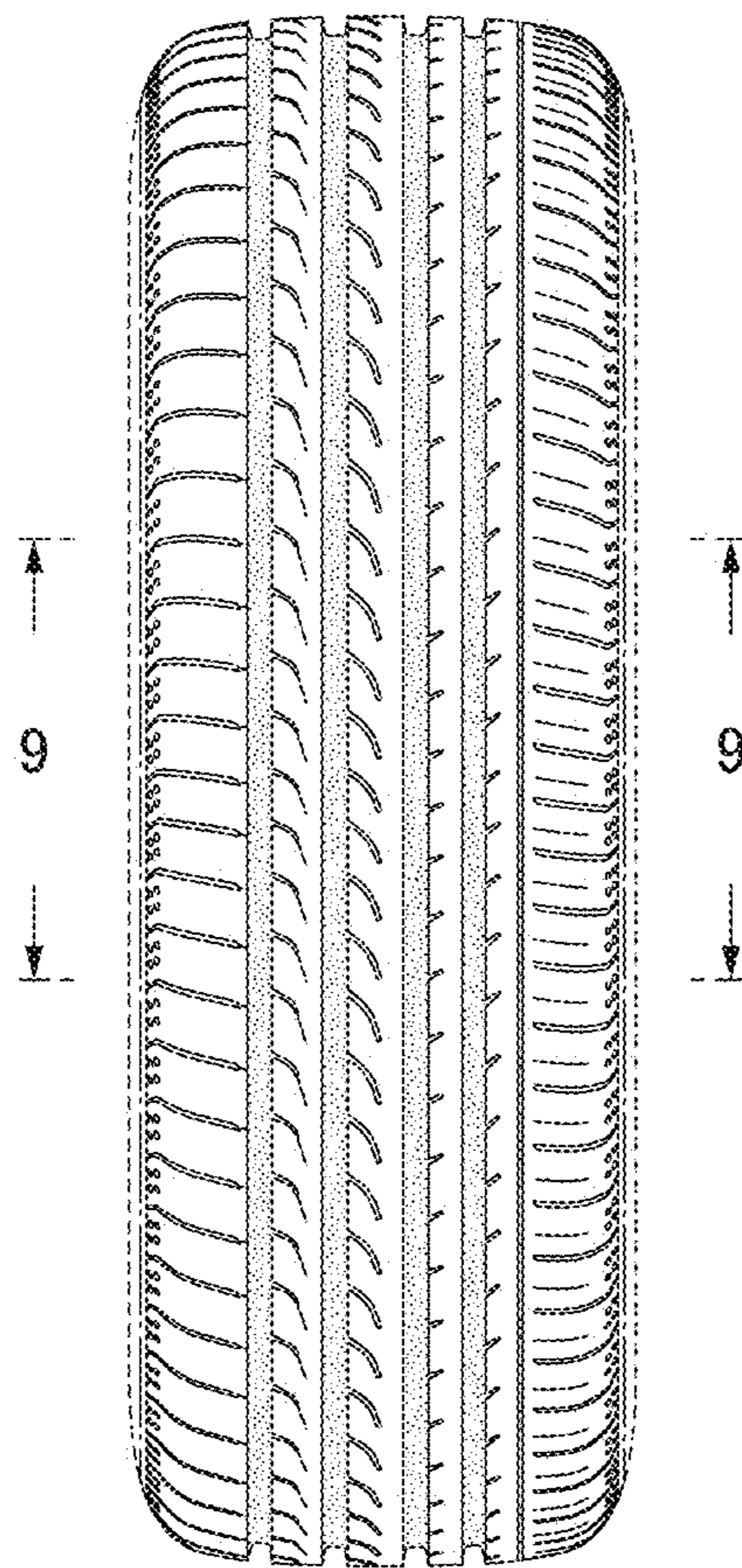


FIG. 3

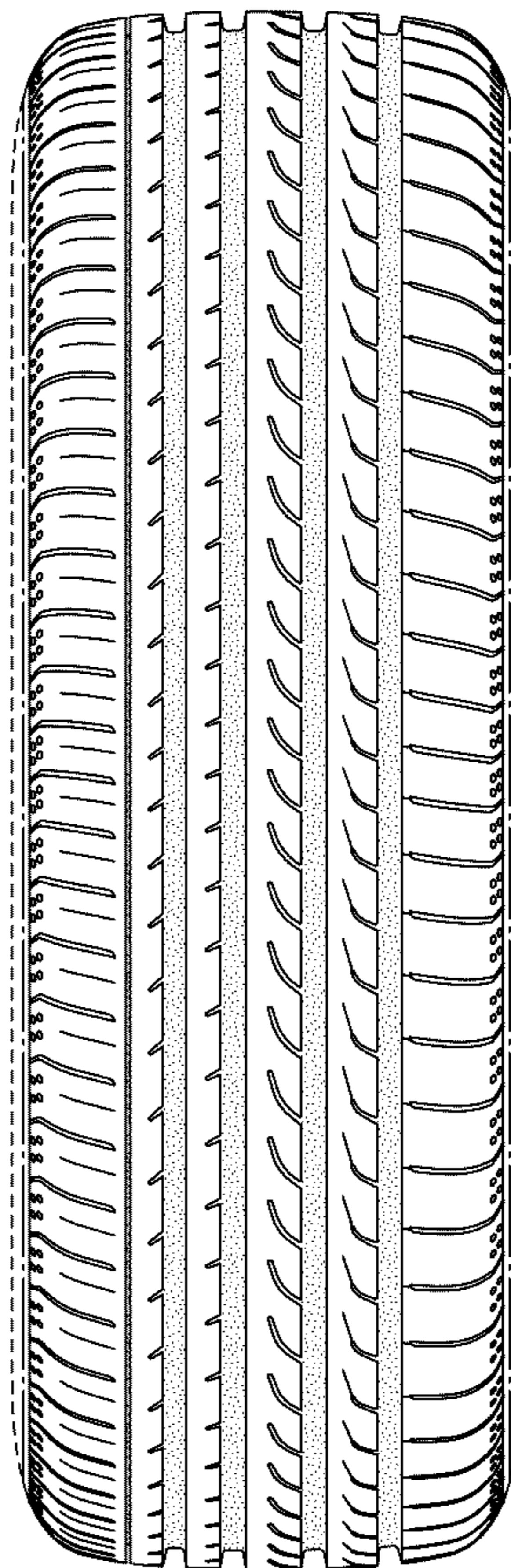


FIG. 4

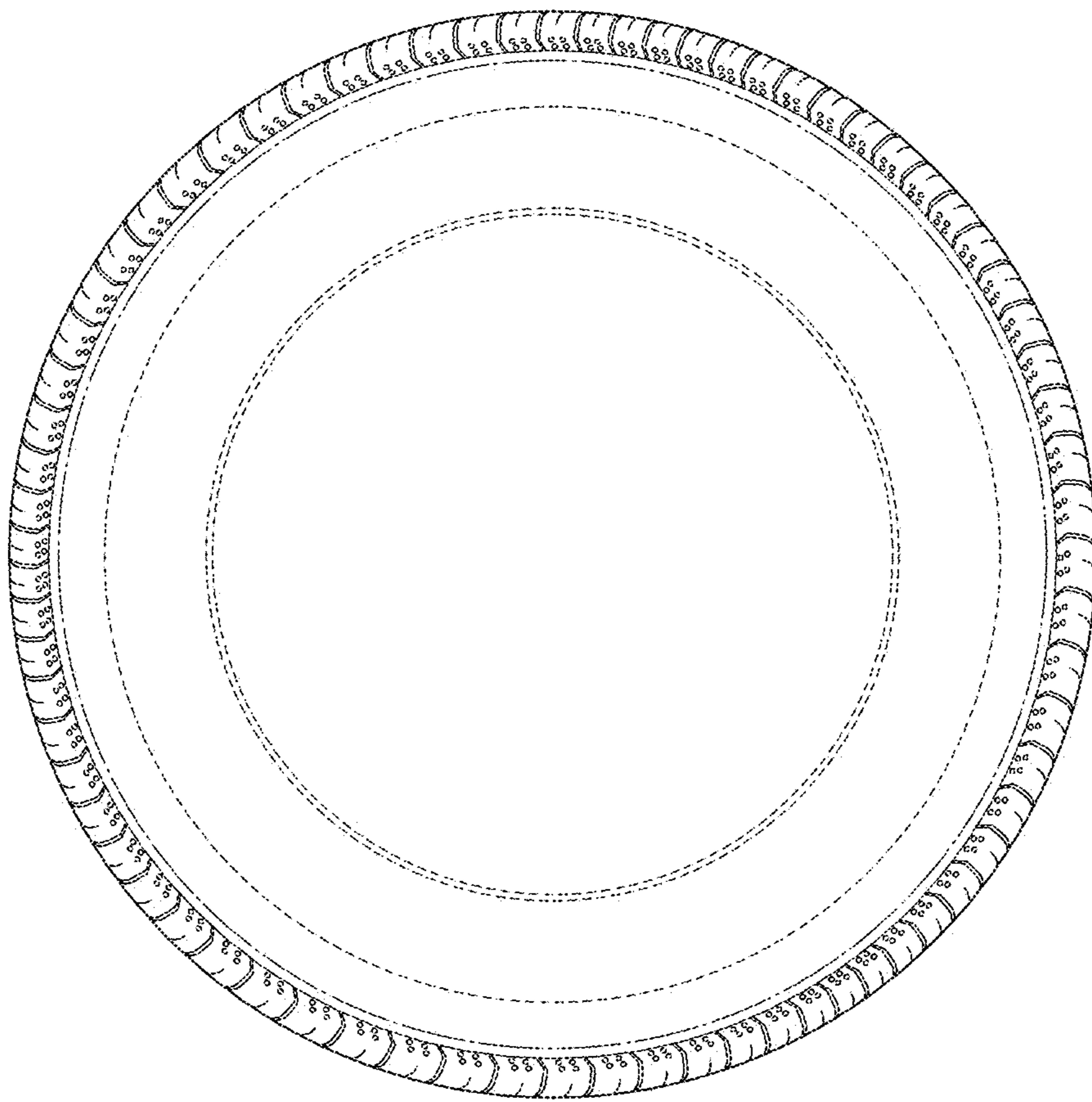


FIG. 5

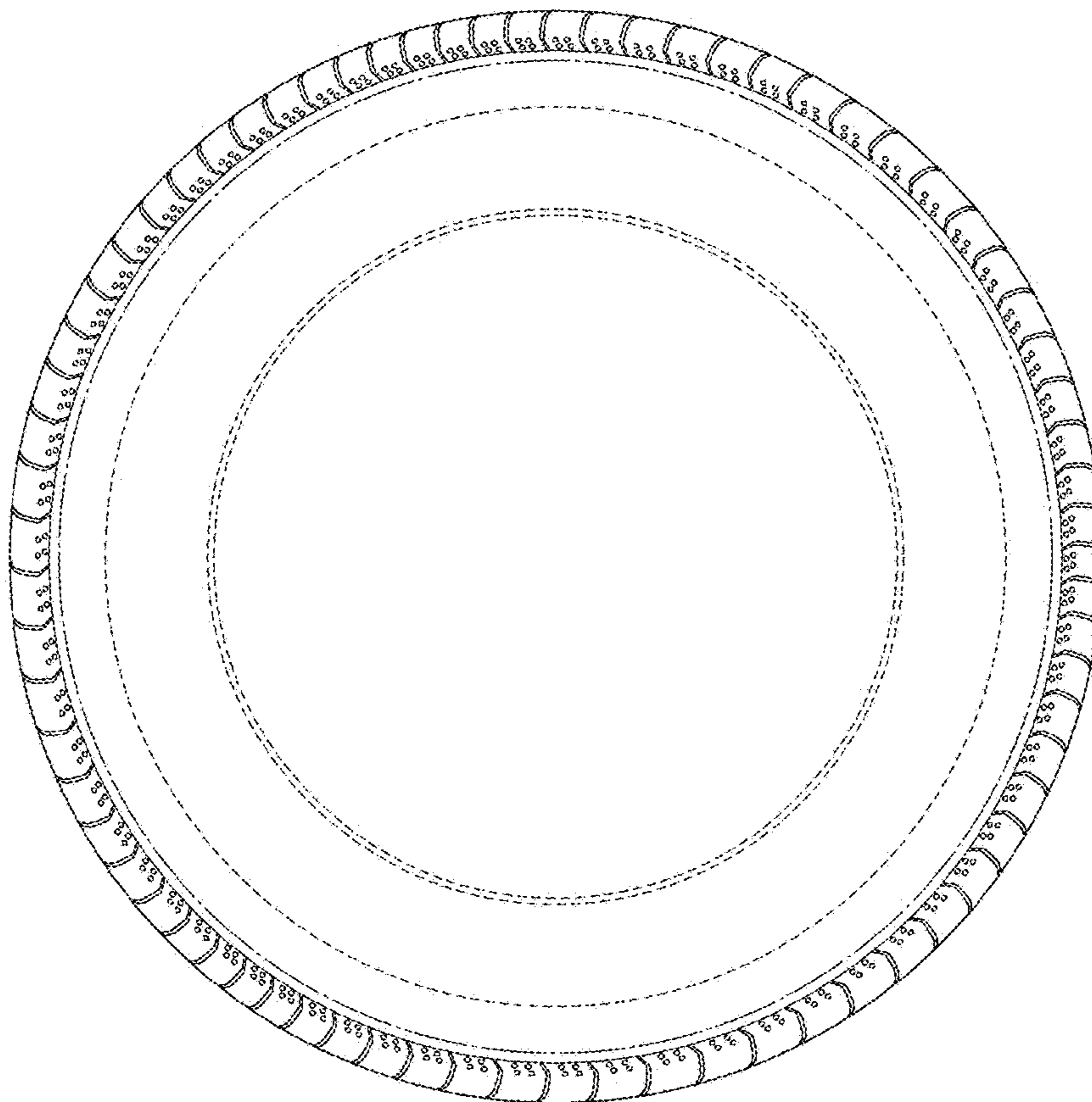


FIG. 6

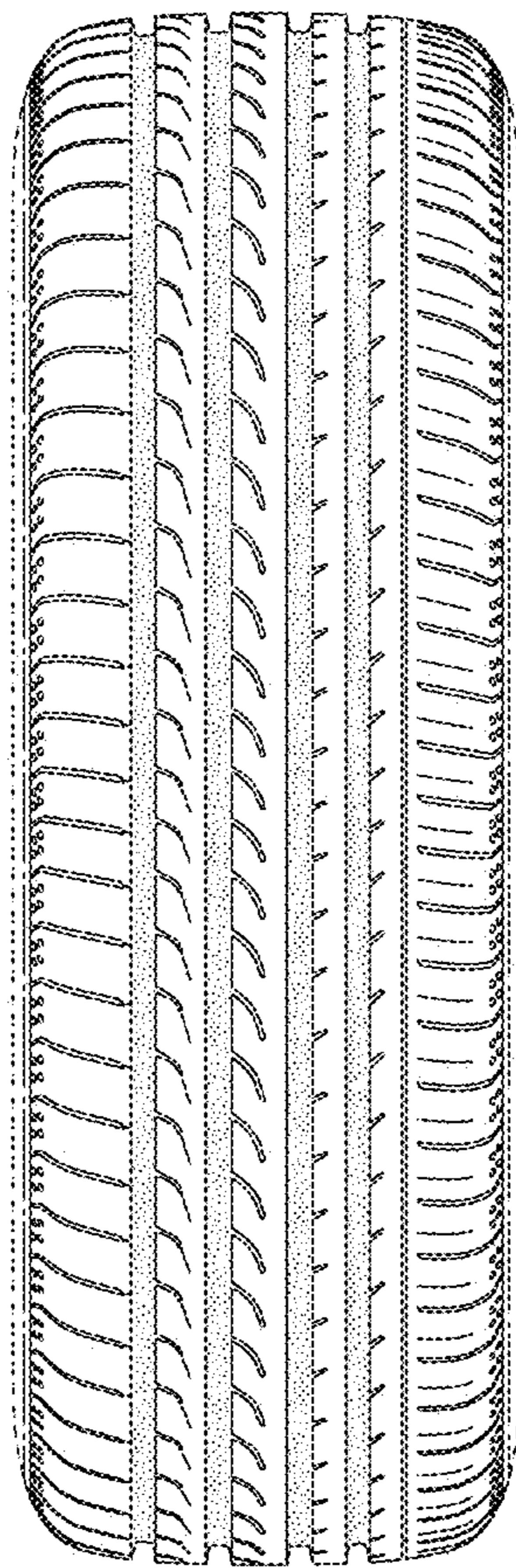


FIG. 7

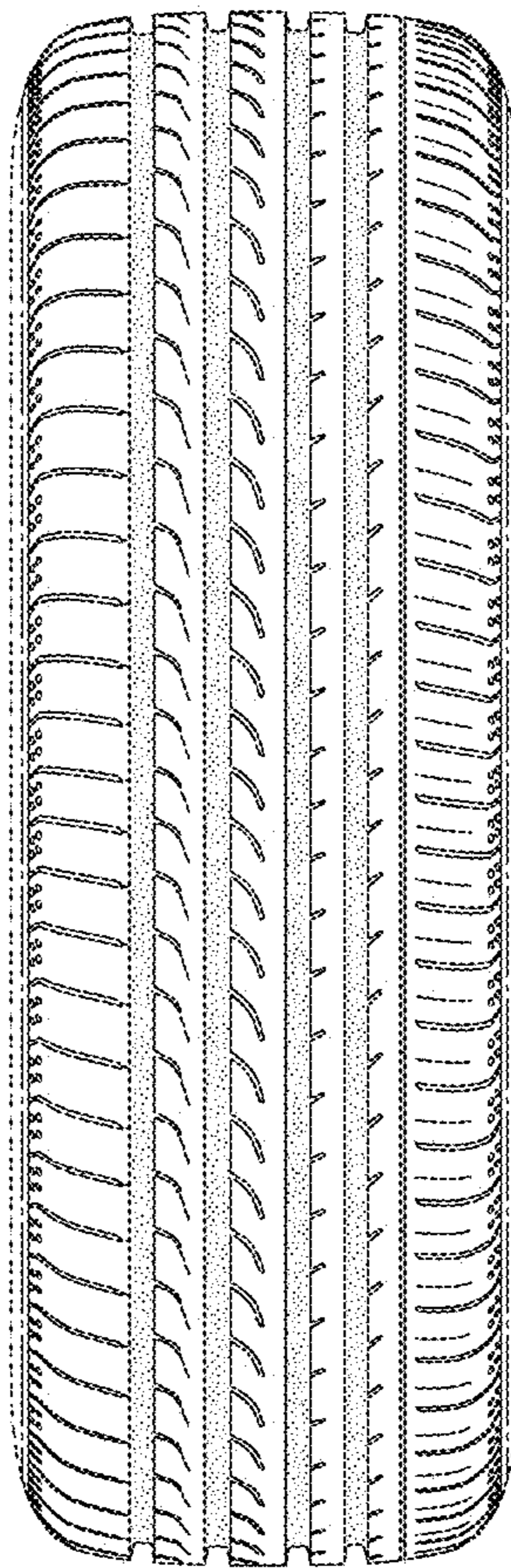


FIG. 8

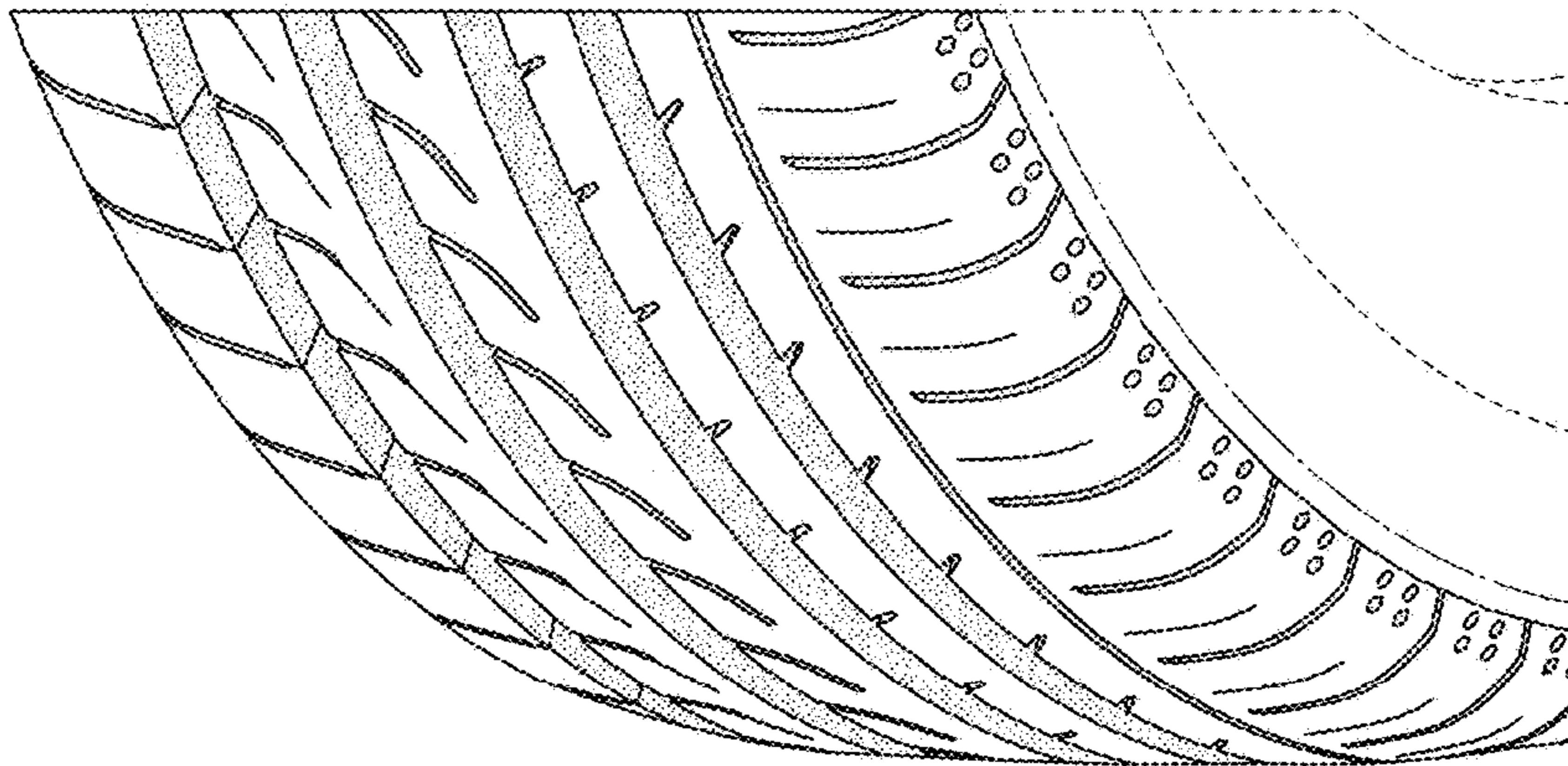


FIG. 9

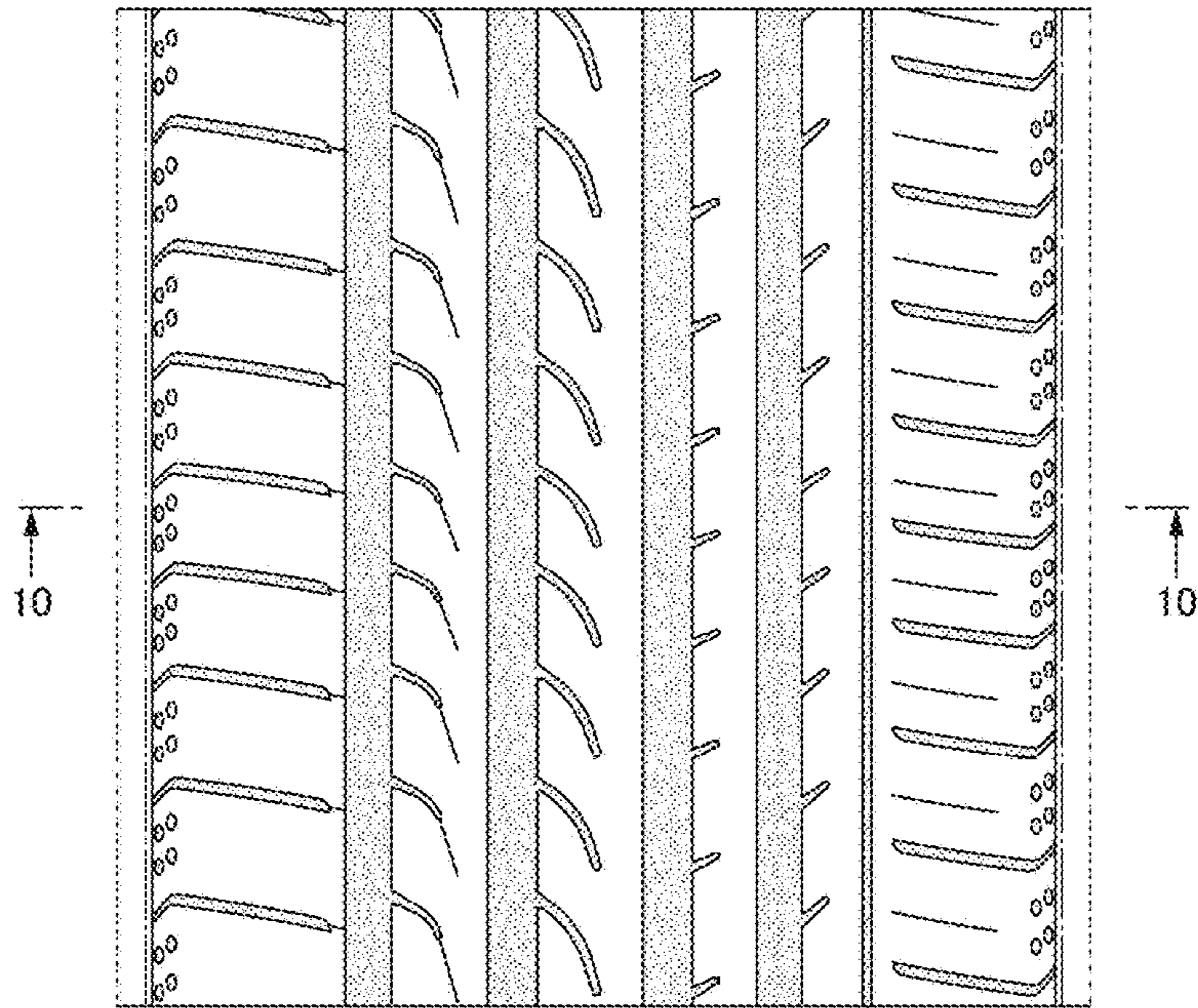


FIG. 10

