



US00D772782S

(12) **United States Design Patent** (10) **Patent No.:** **US D772,782 S**
Johnson (45) **Date of Patent:** **** Nov. 29, 2016**

(54) **CARGO HAULING APPARATUS**
(71) Applicant: **Edwin C. Johnson**, Crystal Springs, MS (US)
(72) Inventor: **Edwin C. Johnson**, Crystal Springs, MS (US)
(**) Term: **14 Years**
(21) Appl. No.: **29/519,064**
(22) Filed: **Mar. 2, 2015**
(51) **LOC (10) Cl.** **12-16**
(52) **U.S. Cl.**
USPC **D12/412**
(58) **Field of Classification Search**
USPC D12/412, 406, 413, 414, 414.1; D6/552; D3/304-306
CPC B60R 9/00; B60R 9/02; B60R 9/04; B60R 9/08; B60R 9/042; B60R 9/0423; B60R 9/0426; B60R 9/045; B60R 9/048; B60R 9/05; B60R 9/052; B60R 9/055
See application file for complete search history.

(56) **References Cited**
U.S. PATENT DOCUMENTS
3,710,999 A * 1/1973 Allen B60R 9/06 224/321
4,394,948 A * 7/1983 Graber B60R 9/06 224/314
D288,193 S * 2/1987 Caron D12/412
4,785,980 A * 11/1988 Redick B60R 9/12 206/315.1
5,911,556 A 6/1999 Caldwell
D477,562 S * 7/2003 McCoy D12/406
6,609,481 B1 8/2003 McCarty
6,638,001 B1 10/2003 McKinley
6,769,858 B1 8/2004 Butler et al.
6,869,265 B2 3/2005 Smith et al.
D508,014 S * 8/2005 Heravi D12/406
7,293,951 B2 11/2007 Meeks
D586,287 S * 2/2009 McBride D12/106
D624,486 S * 9/2010 Shipp, Jr. D12/412

8,840,161 B1 9/2014 Gardner
2006/0104767 A1 5/2006 Dugger et al.
2006/0182571 A1 8/2006 Hightower

FOREIGN PATENT DOCUMENTS

CA 2515878 A1 9/2006

* cited by examiner

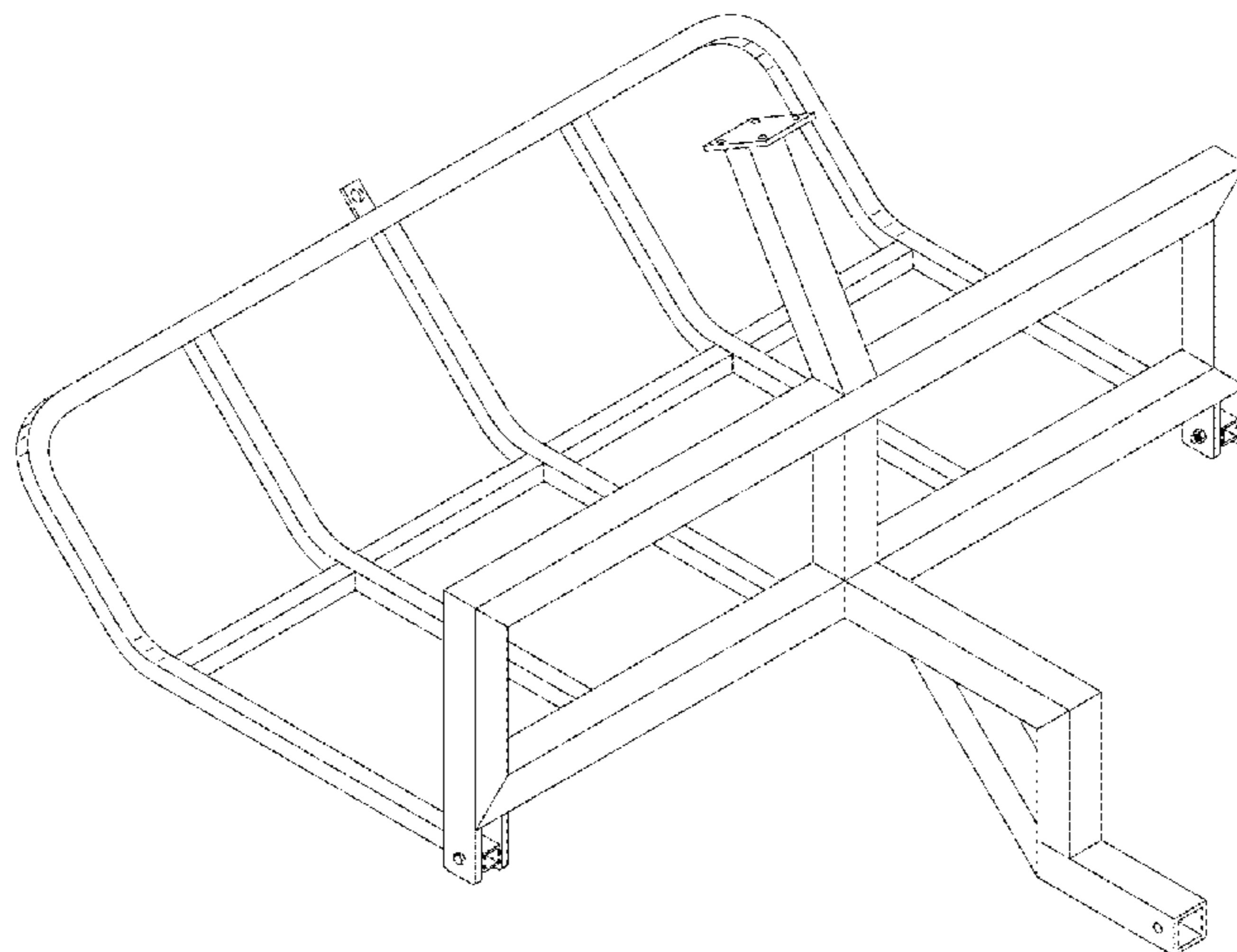
Primary Examiner — Katrina A Betton
(74) *Attorney, Agent, or Firm* — Bush Intellectual Property Law; Kenneth M. Bush

(57) **CLAIM**
I claim the ornamental design for a cargo hauling apparatus, as shown and described.

DESCRIPTION

FIG. 1 is a left front perspective view of a cargo hauling apparatus showing my new design;
FIG. 2 is a right rear perspective view thereof;
FIG. 3 is a top plan view thereof;
FIG. 4 is a bottom plan view thereof;
FIG. 5 is a left side elevation view thereof;
FIG. 6 is a right side elevation view thereof;
FIG. 7 is a rear elevation view thereof;
FIG. 8 is a front elevation view thereof;
FIG. 9 is a left front perspective view of the cargo hauling apparatus showing the pivotable platform in a raised position; and,
FIG. 10 is a left front perspective view of the cargo hauling apparatus showing the pivotable platform in a lowered position.
In FIGS. 5-8, the broken lines illustrating a hand winch, strap, and hook are for illustrative purposes only and form no part of the claimed design.
The ornamental design for a cargo hauling apparatus for attachment to the receiver hitch of a transport vehicle, wherein the apparatus has a pivotable platform operable to pivot between a raised position and a lowered position.

1 Claim, 7 Drawing Sheets



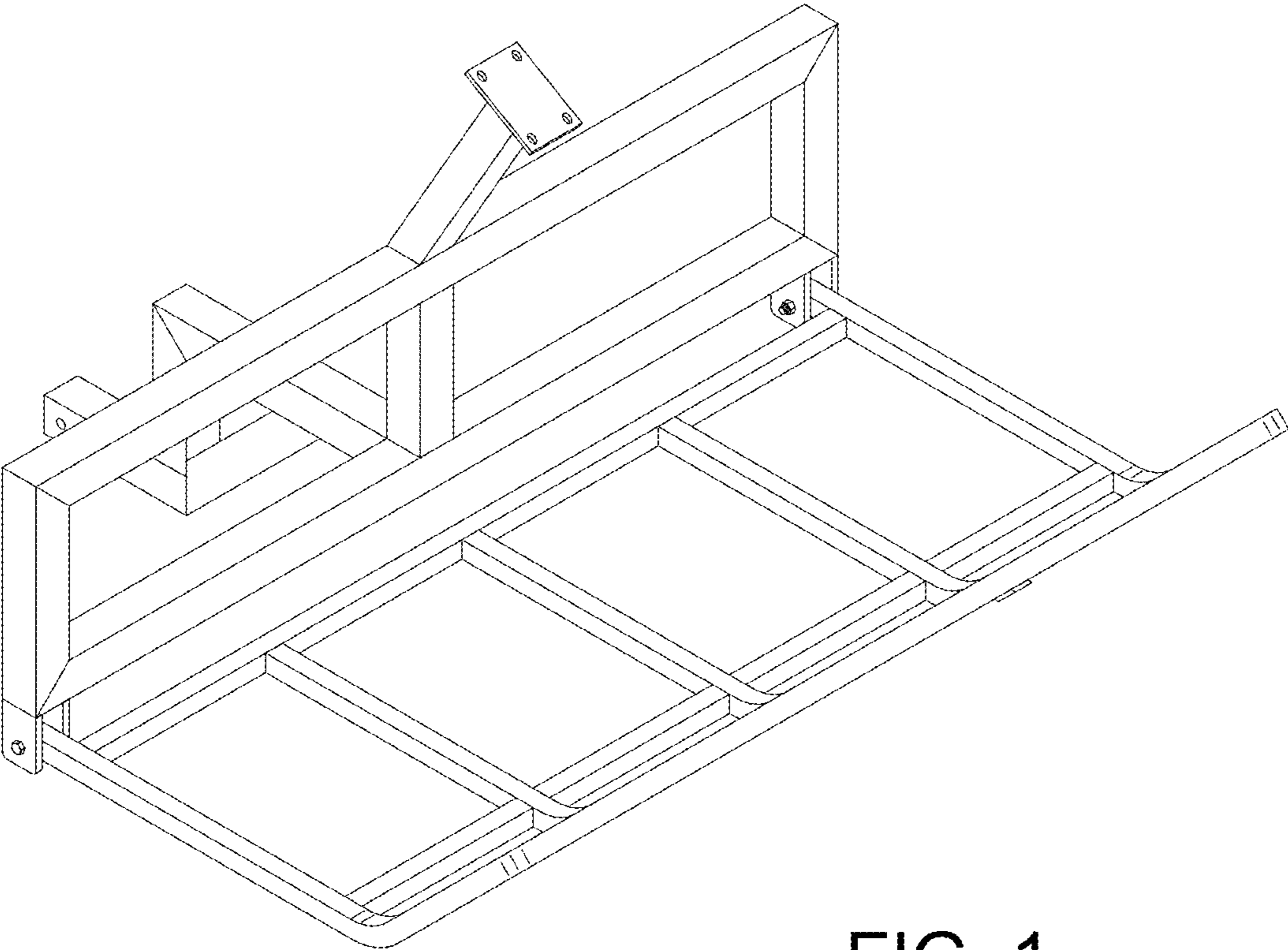


FIG. 1

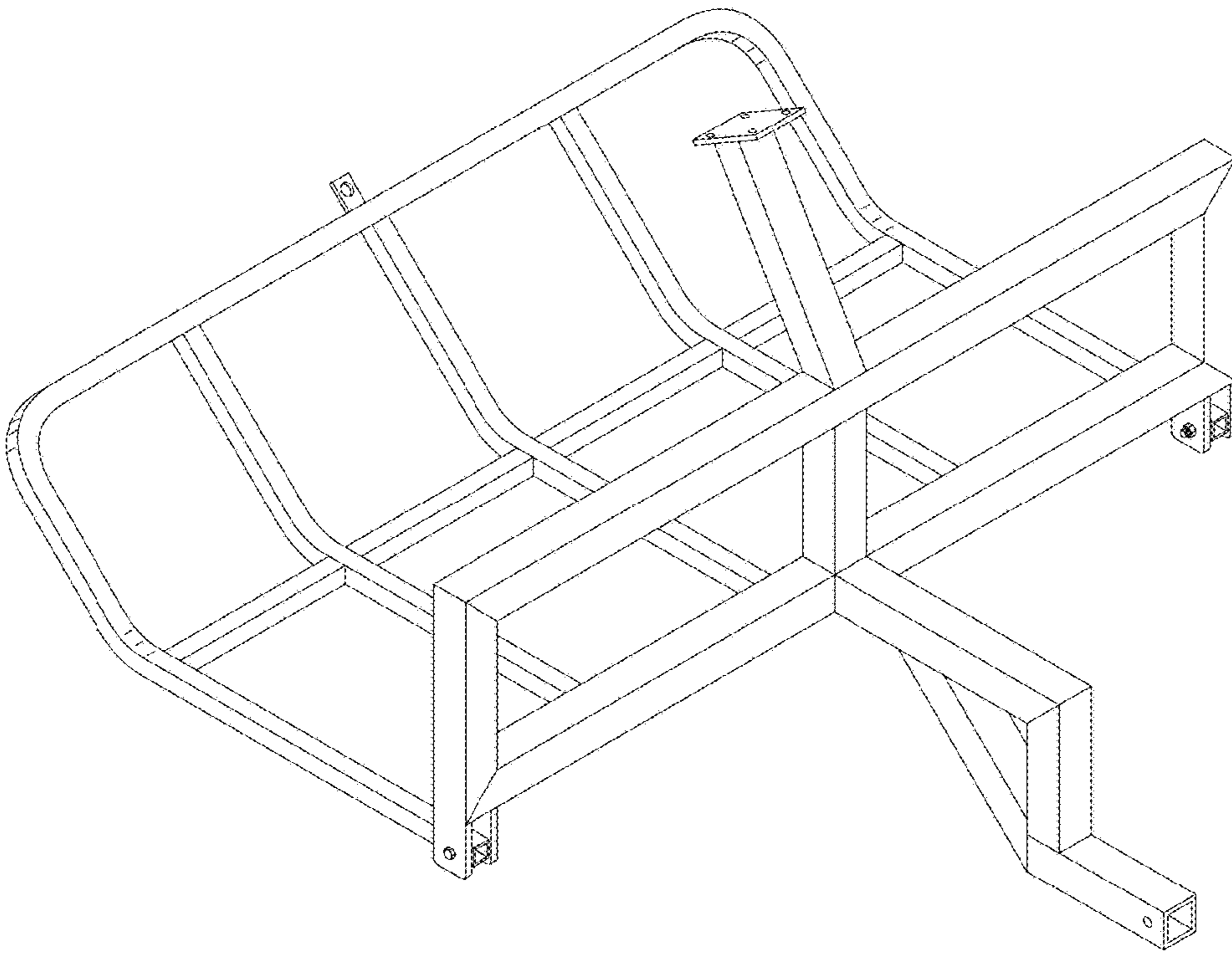


FIG. 2

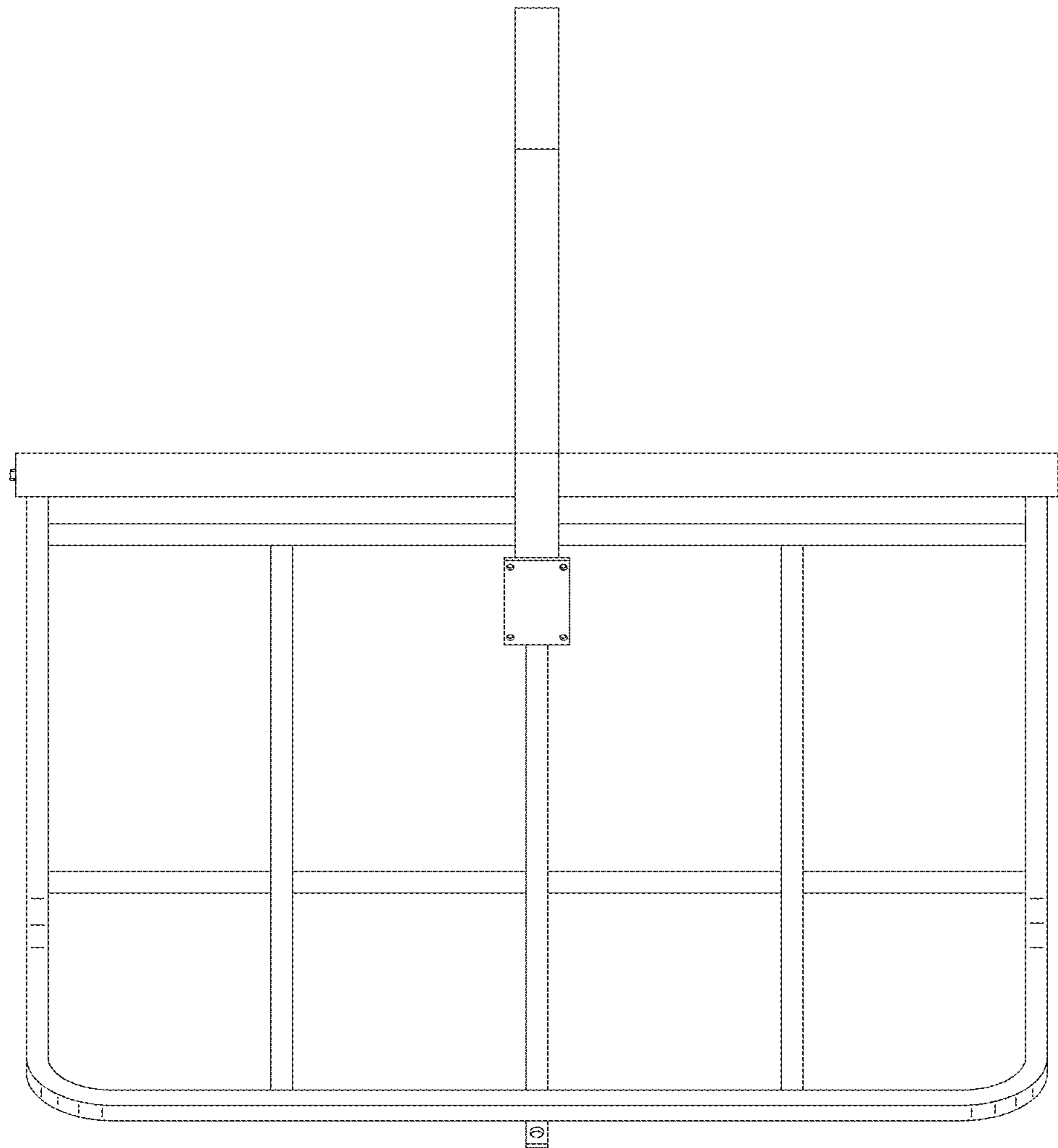


FIG. 3

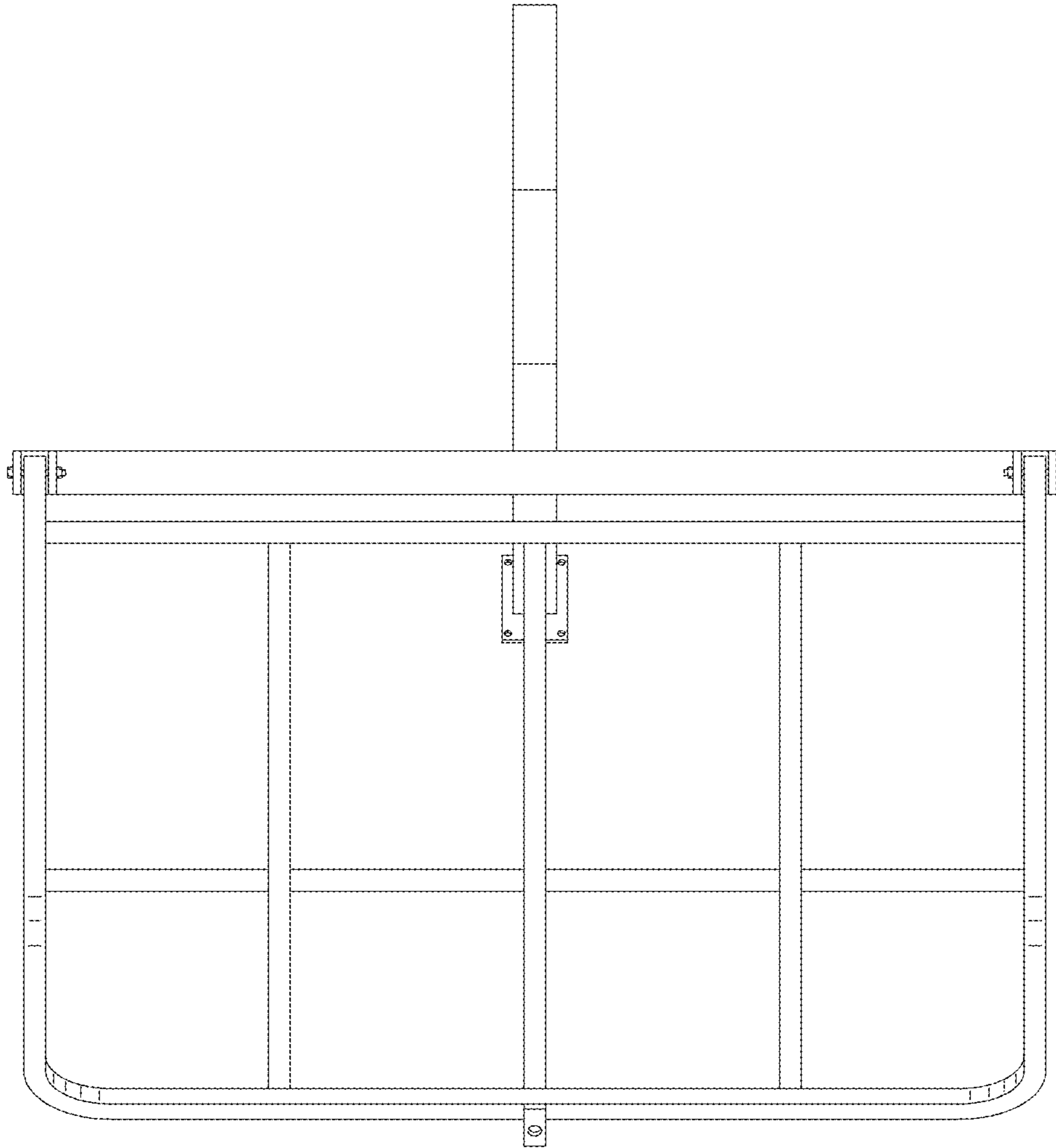


FIG. 4

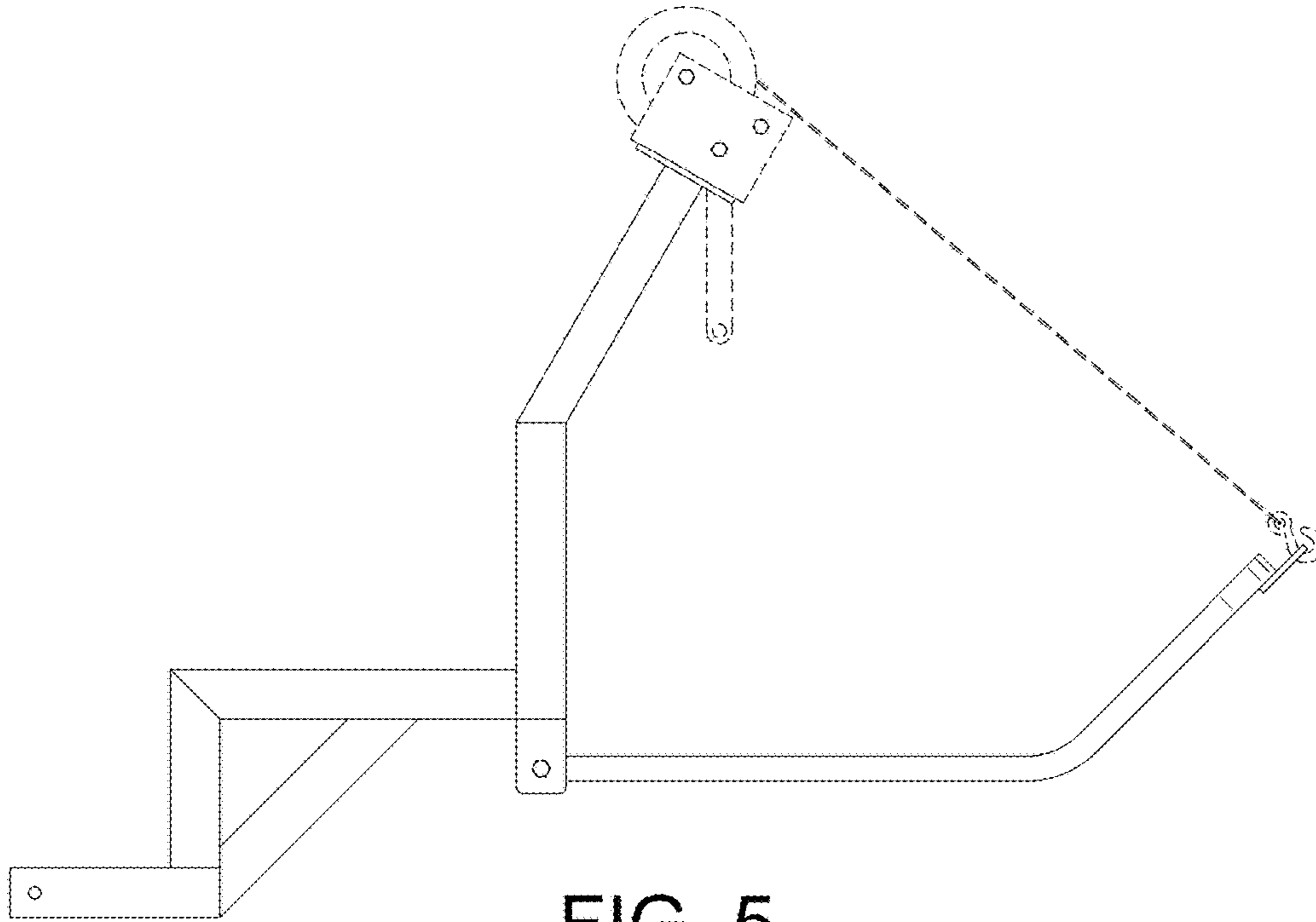


FIG. 5

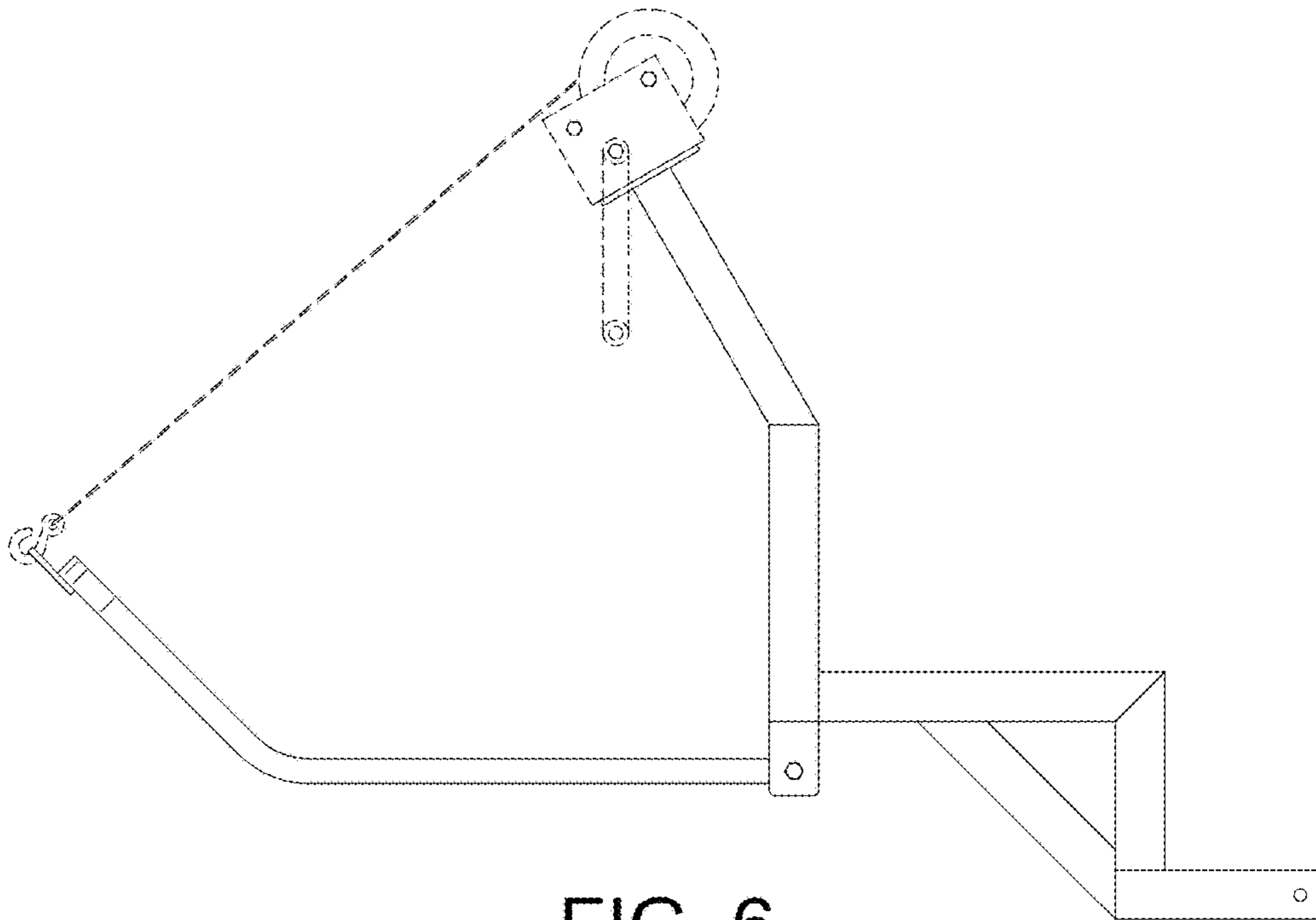


FIG. 6

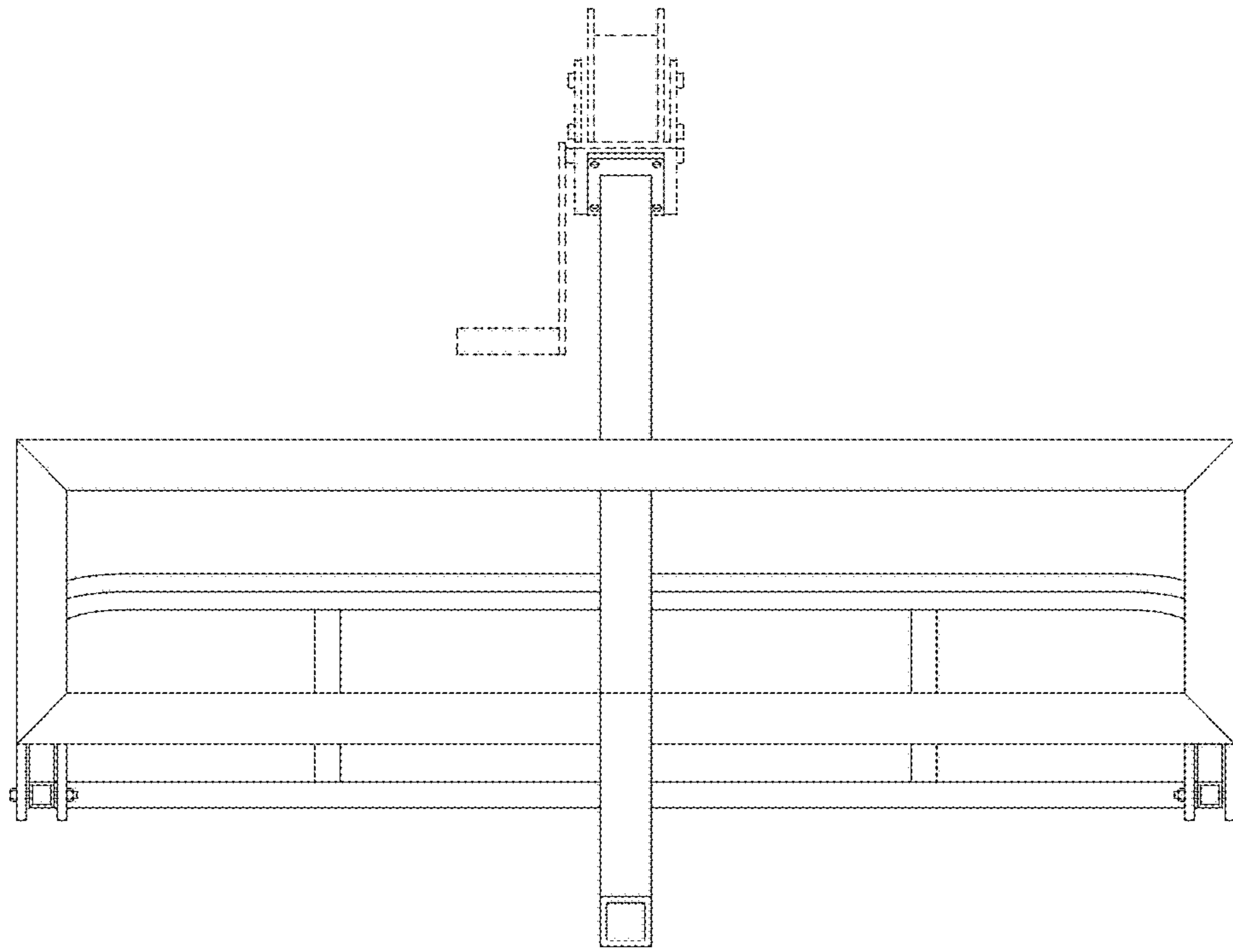


FIG. 7

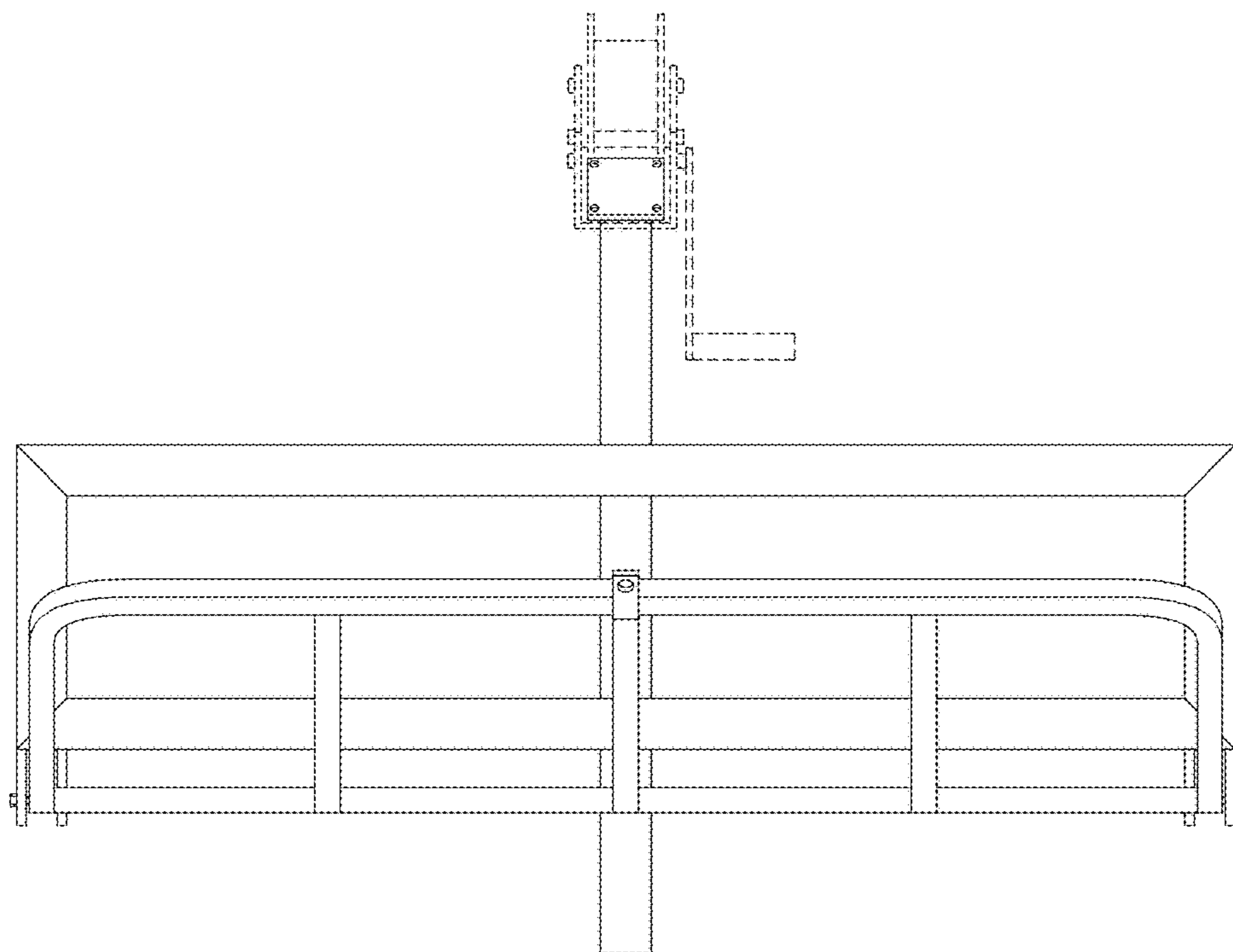


FIG. 8

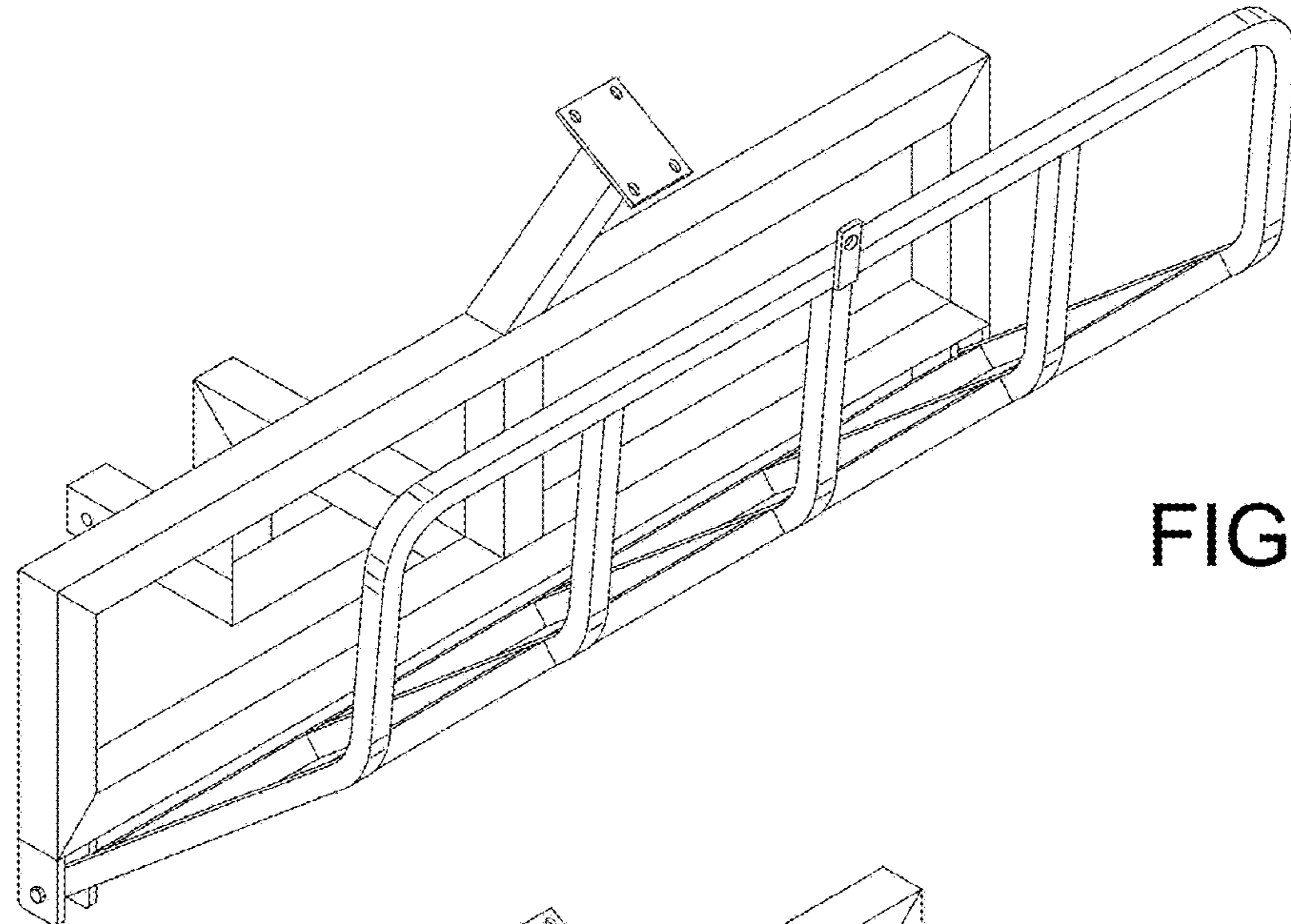


FIG. 9

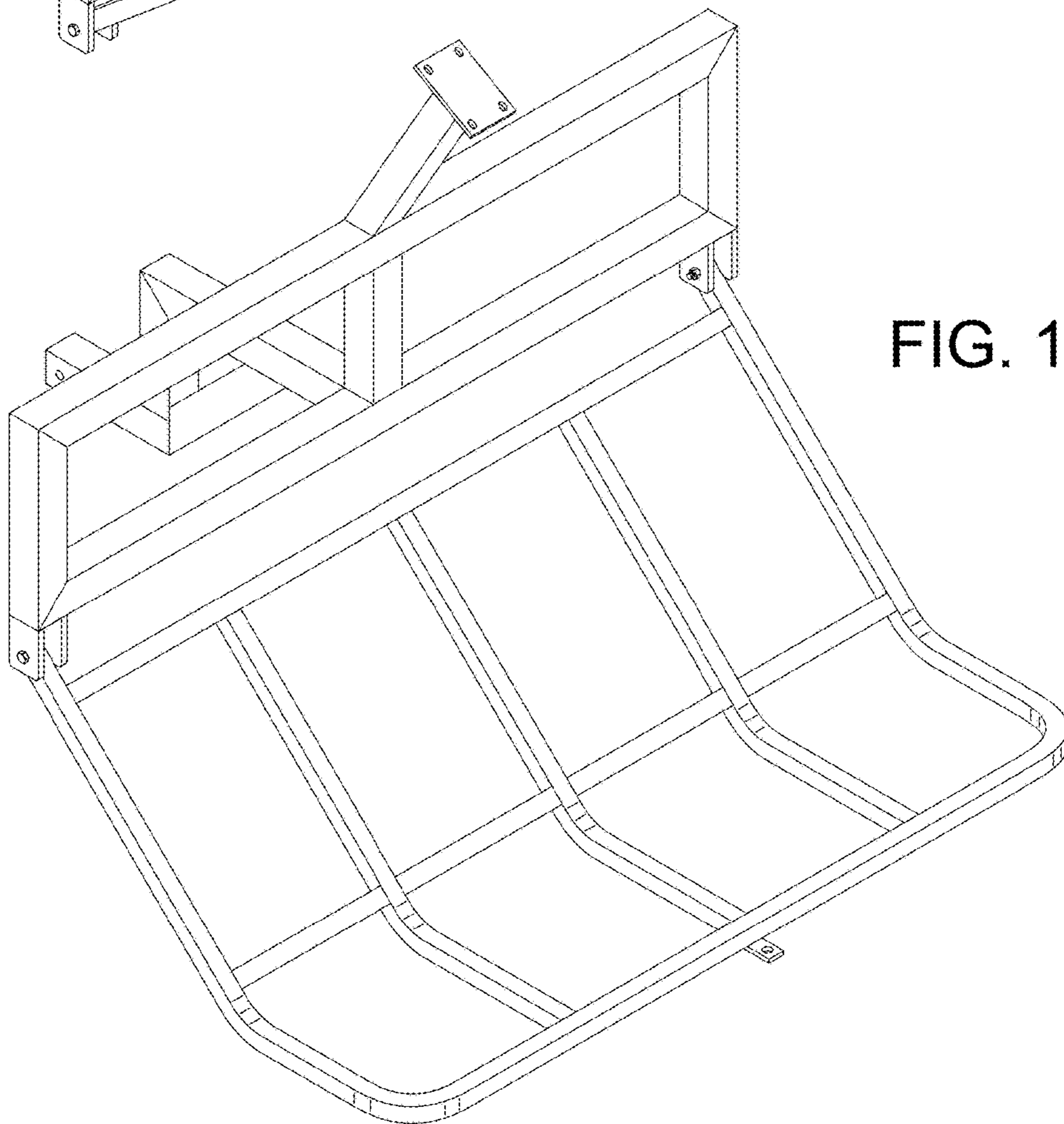


FIG. 10