



US00D772781S

(12) **United States Design Patent** (10) **Patent No.:** **US D772,781 S**
Römer et al. (45) **Date of Patent:** **** Nov. 29, 2016**

(54) **ROOF FOR A VEHICLE**
(71) Applicant: **Hamm AG**, Tirschenreuth (DE)
(72) Inventors: **Axel Römer**, Tirschenreuth (DE);
Gernot Reif, Tirschenreuth (DE);
Ulrich Ewringmann, Taufkirchen (DE);
Markus Beese, Taufkirchen (DE)

D676,466 S 2/2013 Ewringmann et al.
D678,173 S * 3/2013 McIntire D12/401
D679,647 S * 4/2013 Tuten D12/401
D690,256 S 9/2013 Ewringmann
D694,278 S 11/2013 Ewringmann
D694,279 S 11/2013 Ewringmann
8,721,217 B2 5/2014 Bornemann et al.
D715,726 S * 10/2014 Curts D12/317
D727,243 S * 4/2015 Matsumura D12/401
D728,450 S * 5/2015 Yen D12/401

(73) Assignee: **Hamm AG** (DE)

(**) Term: **14 Years**

(21) Appl. No.: **29/519,965**

(22) Filed: **Mar. 10, 2015**

(30) **Foreign Application Priority Data**

Sep. 11, 2014 (EM) 002535872

(51) **LOC (10) Cl.** **12-16**

(52) **U.S. Cl.**
USPC **D12/401**

(58) **Field of Classification Search**
USPC D12/401-405
CPC B60J 11/08; B60J 11/06; A47C 31/10
See application file for complete search history.

(56) **References Cited**

U.S. PATENT DOCUMENTS

6,829,986 B2 12/2004 Richter
D550,145 S * 9/2007 Fisker D12/401
D574,763 S * 8/2008 Smith D12/401
D585,811 S * 2/2009 Win D12/401
D586,721 S * 2/2009 Hildebrand D12/401
D664,912 S * 8/2012 Warren D12/401
D676,463 S 2/2013 Ewringmann et al.

OTHER PUBLICATIONS

“Hamm H Series product brochure”, Aug. 2013, 12 pp.

* cited by examiner

Primary Examiner — Katrina A Betton

(74) *Attorney, Agent, or Firm* — Lucian Wayne Beavers;
Patterson Intellectual Property Law PC

(57) **CLAIM**

The ornamental design for a roof for a vehicle, as shown.

DESCRIPTION

FIG. 1 is a top left front perspective view of the roof for a vehicle.

FIG. 2 is a bottom left front perspective view of the roof for a vehicle of FIG. 1.

FIG. 3 is a front view of the roof for a vehicle of FIG. 1.

FIG. 4 is a rear view of the roof for a vehicle of FIG. 1.

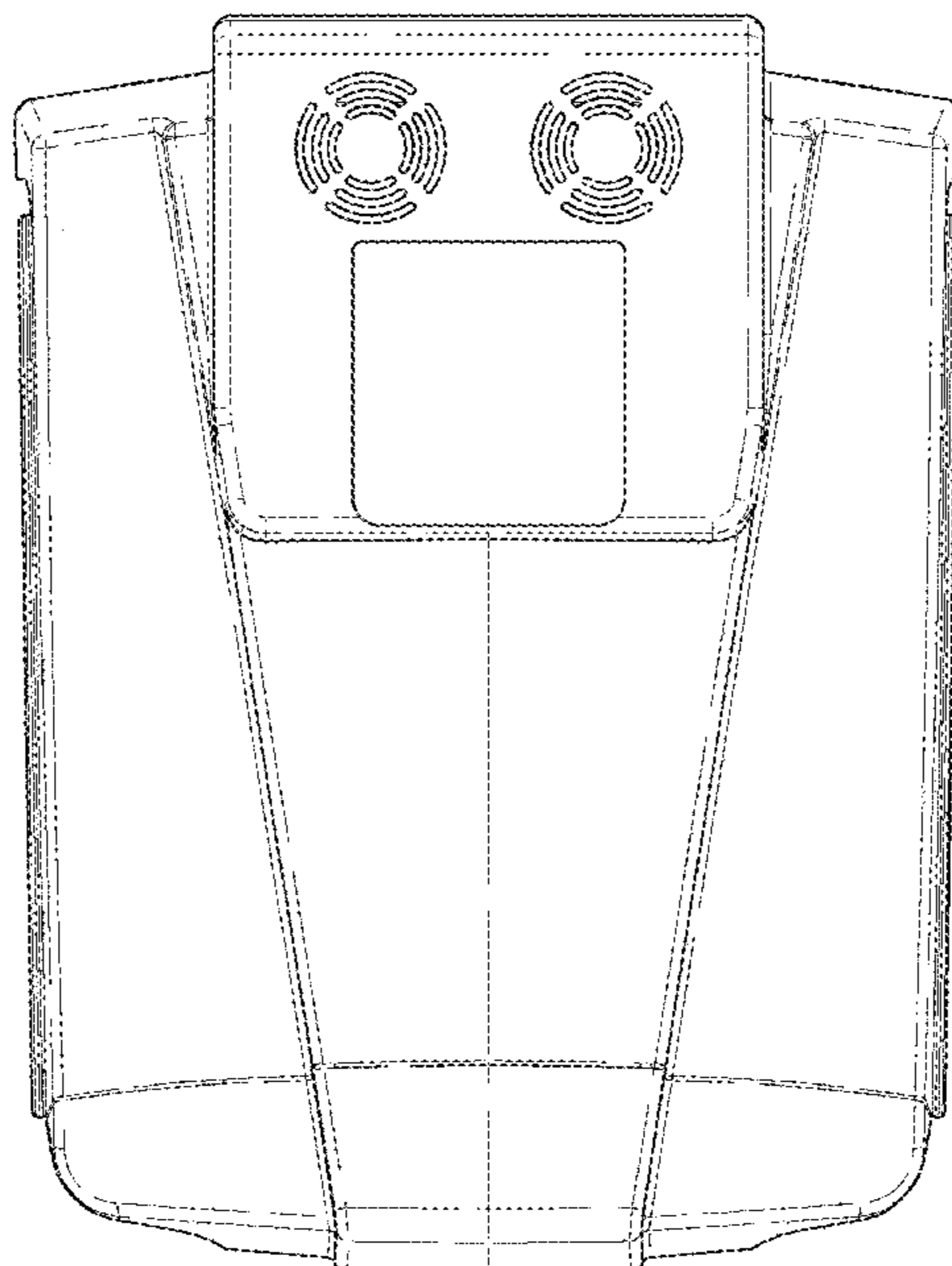
FIG. 5 is a right side view of the roof for a vehicle of FIG. 1.

FIG. 6 is a left side view of the roof for a vehicle of FIG. 1.

FIG. 7 is a top view of the roof for a vehicle of FIG. 1; and,

FIG. 8 is a bottom view of the roof for a vehicle of FIG. 1.

1 Claim, 6 Drawing Sheets



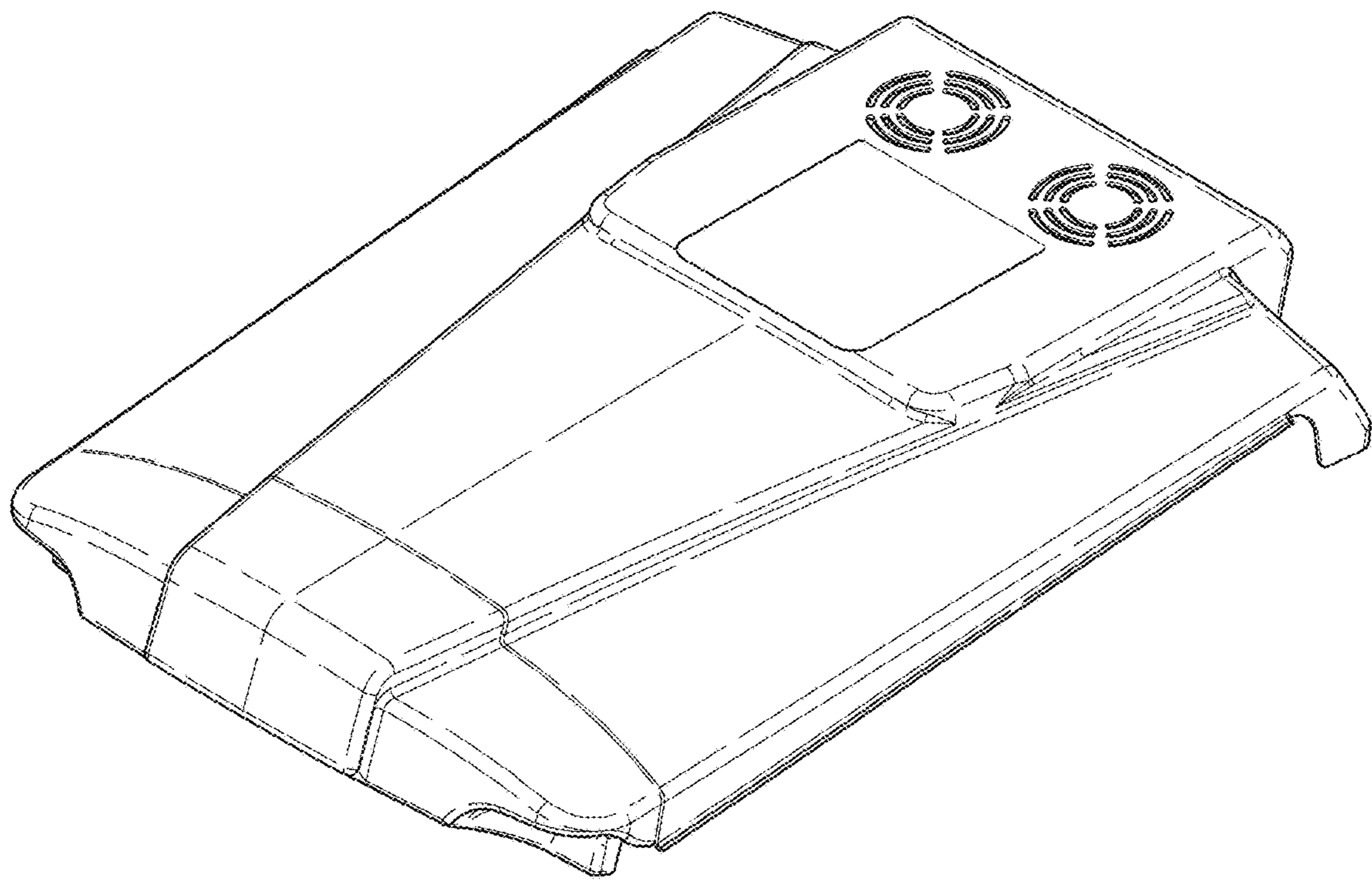


FIG. 1

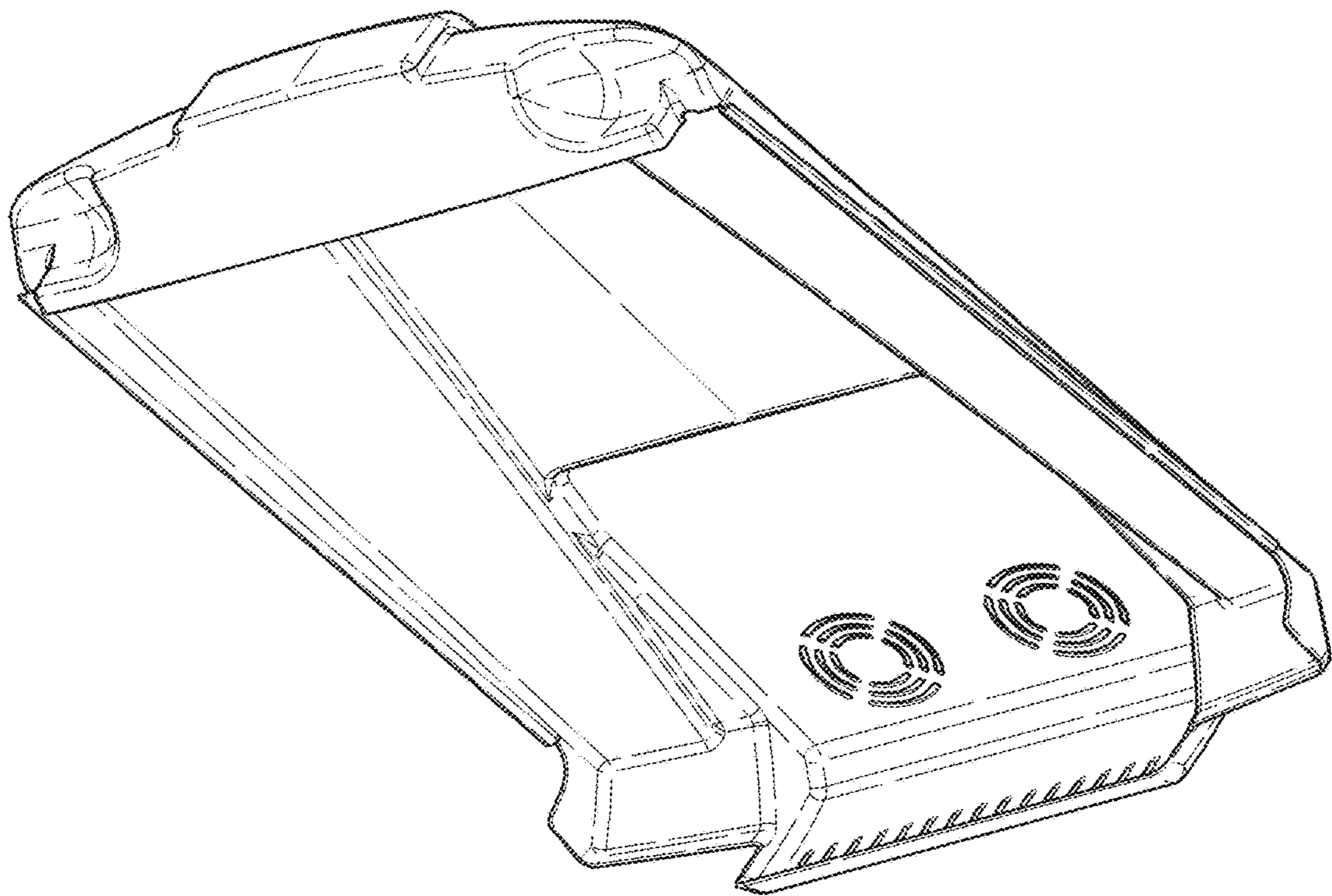


FIG. 2

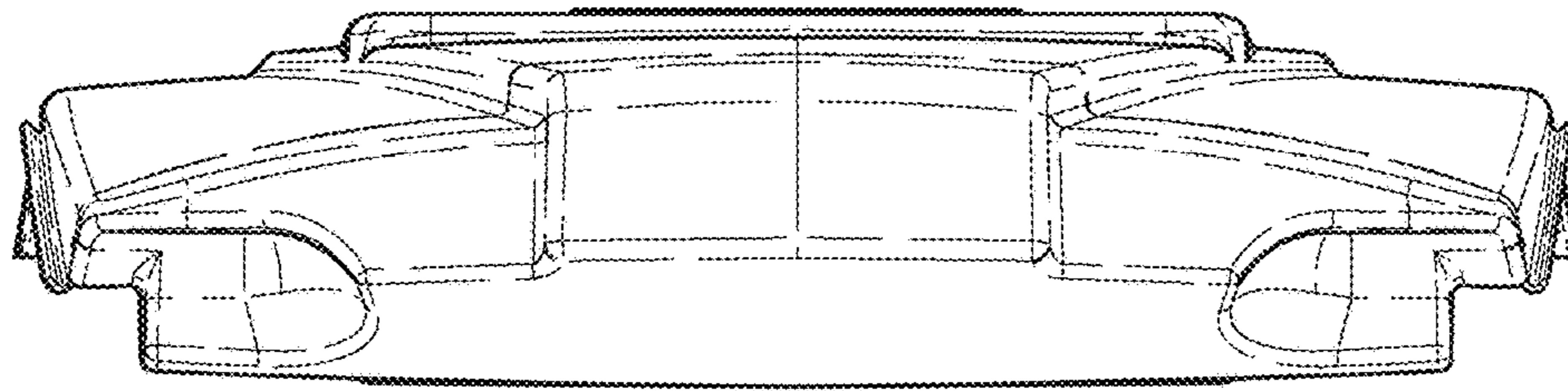


FIG. 3

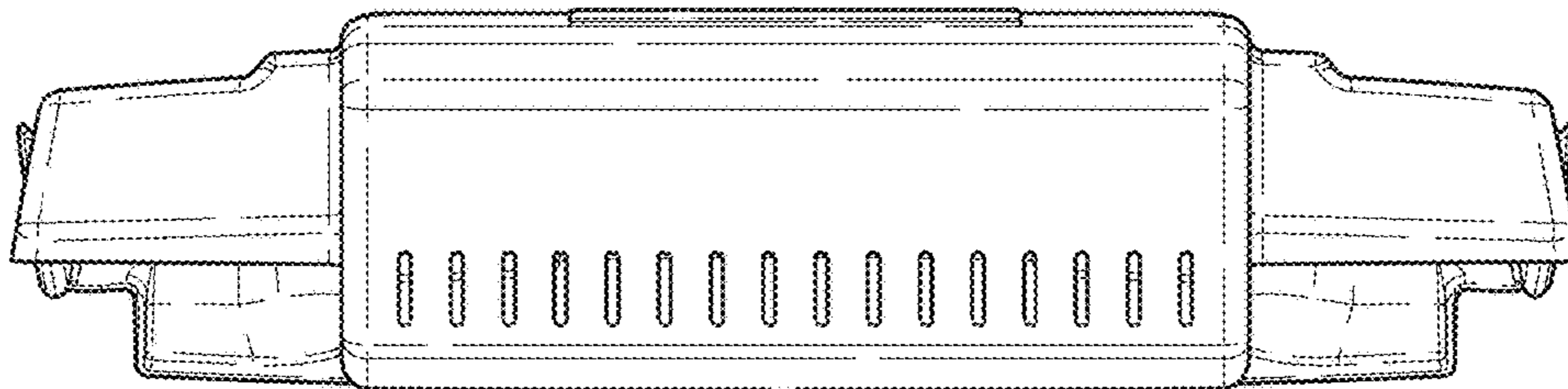


FIG. 4

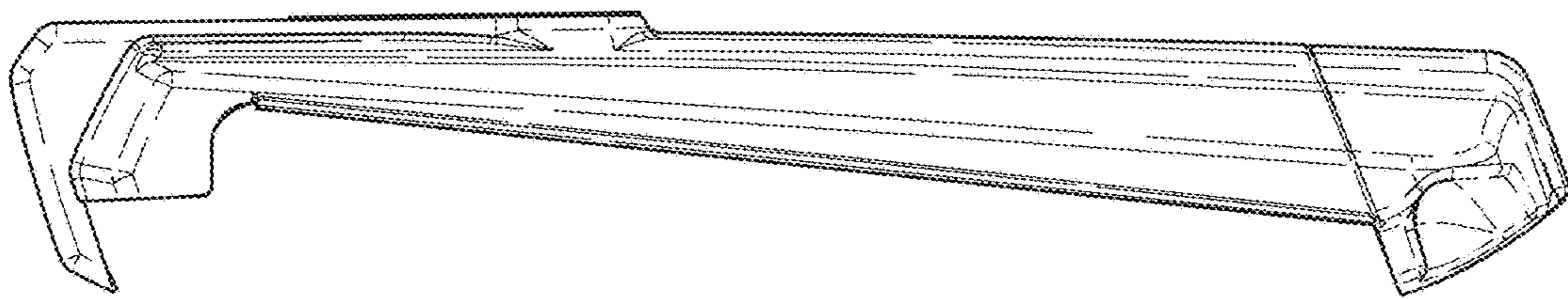


FIG. 5

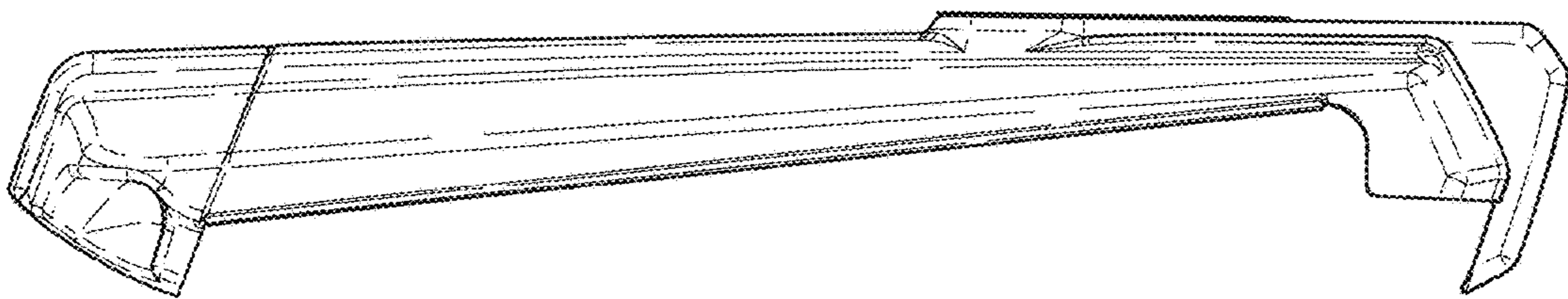


FIG. 6

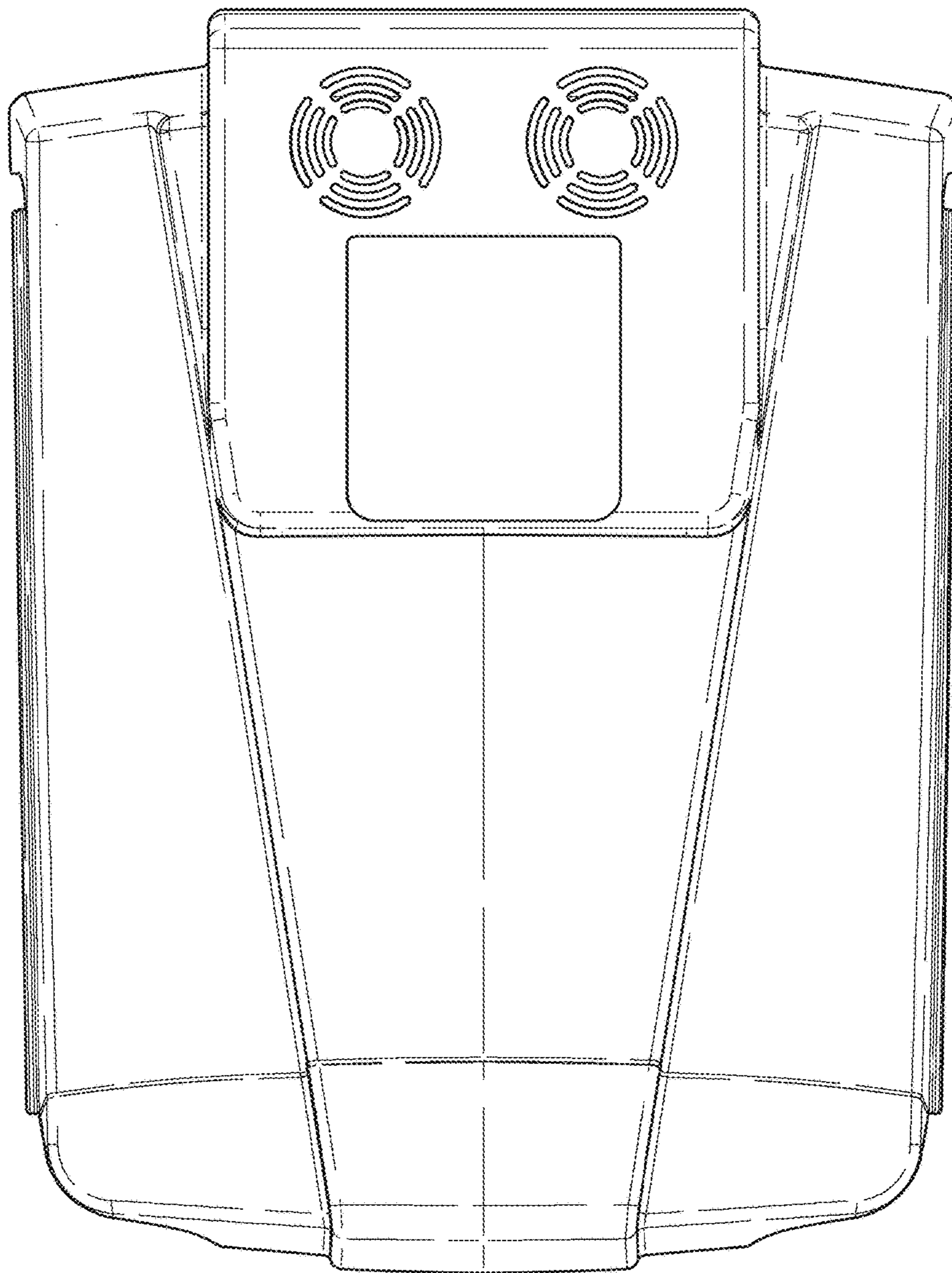


FIG. 7

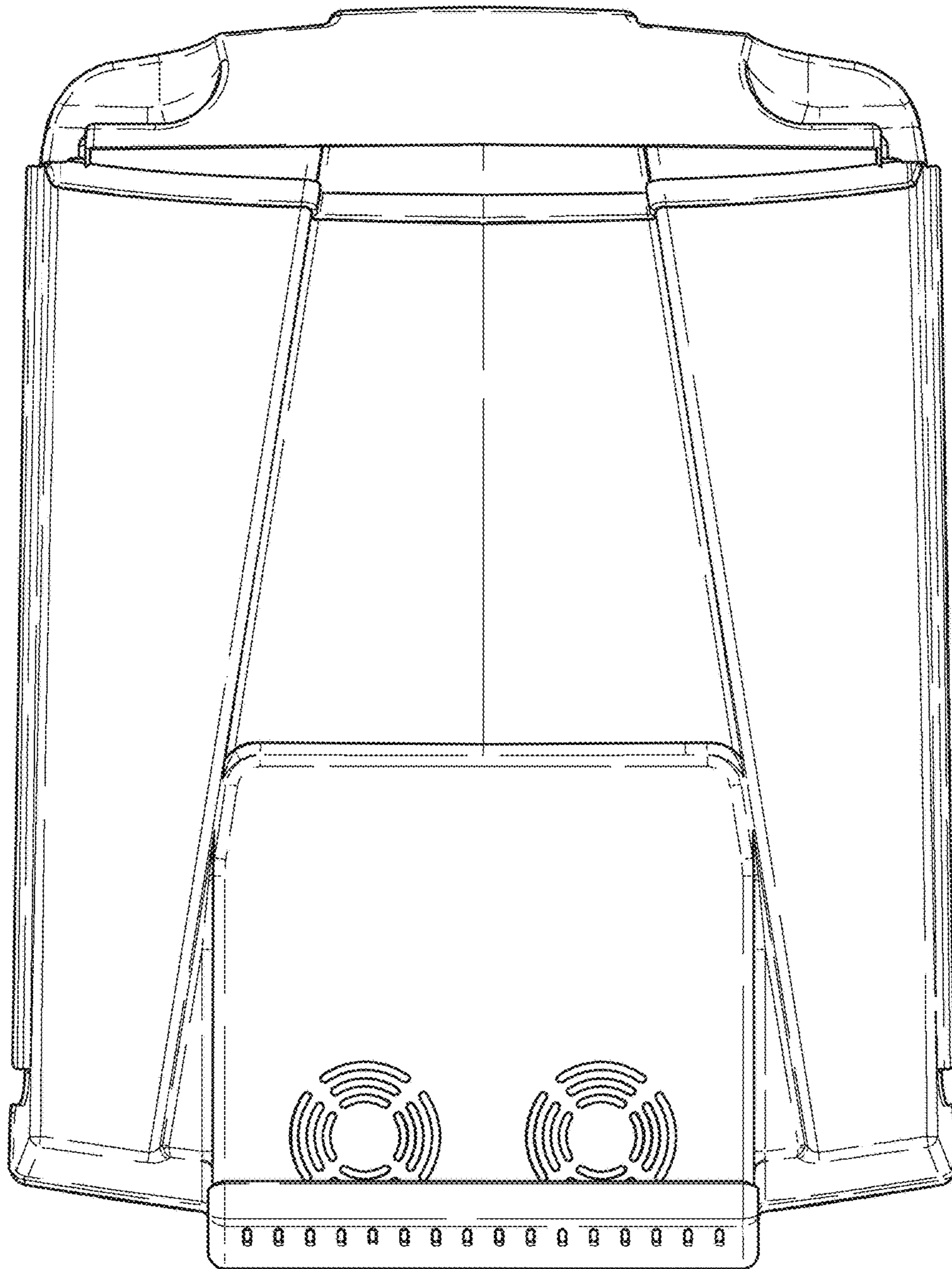


FIG. 8