



US00D772778S

(12) **United States Design Patent**
Sethapun et al.

(10) **Patent No.:** **US D772,778 S**

(45) **Date of Patent:** **** Nov. 29, 2016**

(54) **AIRCRAFT INTERIOR LEDGE FOR RECREATIONAL AND STORAGE USE BY AIRCRAFT CABIN OCCUPANTS**

(71) Applicant: **Gulfstream Aerospace Corporation**, Savannah, GA (US)

(72) Inventors: **Kevin Sethapun**, Savannah, GA (US); **Aram Kasparian**, Savannah, GA (US); **Andrew Fulford**, Northville, MI (US); **David Fischer**, Savannah, GA (US)

(73) Assignee: **Gulfstream Aerospace Corporation**, Savannah, GA (US)

(**) Term: **14 Years**

(21) Appl. No.: **29/506,144**

(22) Filed: **Oct. 13, 2014**

(51) **LOC (10) Cl.** **12-07**

(52) **U.S. Cl.**
USPC **D12/345**

(58) **Field of Classification Search**
USPC D6/336, 384, 653, 654, 665, 657, 663, D6/672, 573; D7/602, 603, 614; D12/319, D12/323, 325, 336, 345, 192, 423, 415, 416, D12/179, 180, 182; D21/436, 447, 448, D21/449, 453; D13/184
CPC B64C 13/04; B64D 11/0007; B64D 11/0015; B64D 11/003; B64D 11/04; B64D 2011/0046; B64D 11/0629; B64B 1/10
See application file for complete search history.

(56) **References Cited**

U.S. PATENT DOCUMENTS

D254,342 S * 3/1980 Sunset D12/345
D403,878 S * 1/1999 Zaidman D6/384
D628,138 S * 11/2010 Collins D12/345

D634,562 S * 3/2011 Bauchet D6/657
D647,024 S * 10/2011 Tan D12/345
D649,926 S * 12/2011 Tan D12/345
D657,162 S * 4/2012 Combs D6/657
D669,013 S * 10/2012 Schreuder D12/345
D732,319 S * 6/2015 Engebretson D6/657
D732,854 S * 6/2015 Engebretson D6/657
D734,439 S * 7/2015 Sethapun D23/274
9,090,351 B1 * 7/2015 Frazier B64D 11/003
2008/0007079 A1 * 1/2008 Sturt B60R 7/04
296/24.34

* cited by examiner

Primary Examiner — Robert M Spear

Assistant Examiner — Marissa J Cash

(74) *Attorney, Agent, or Firm* — Lorenz & Kopf, LLP (LKGlobal)

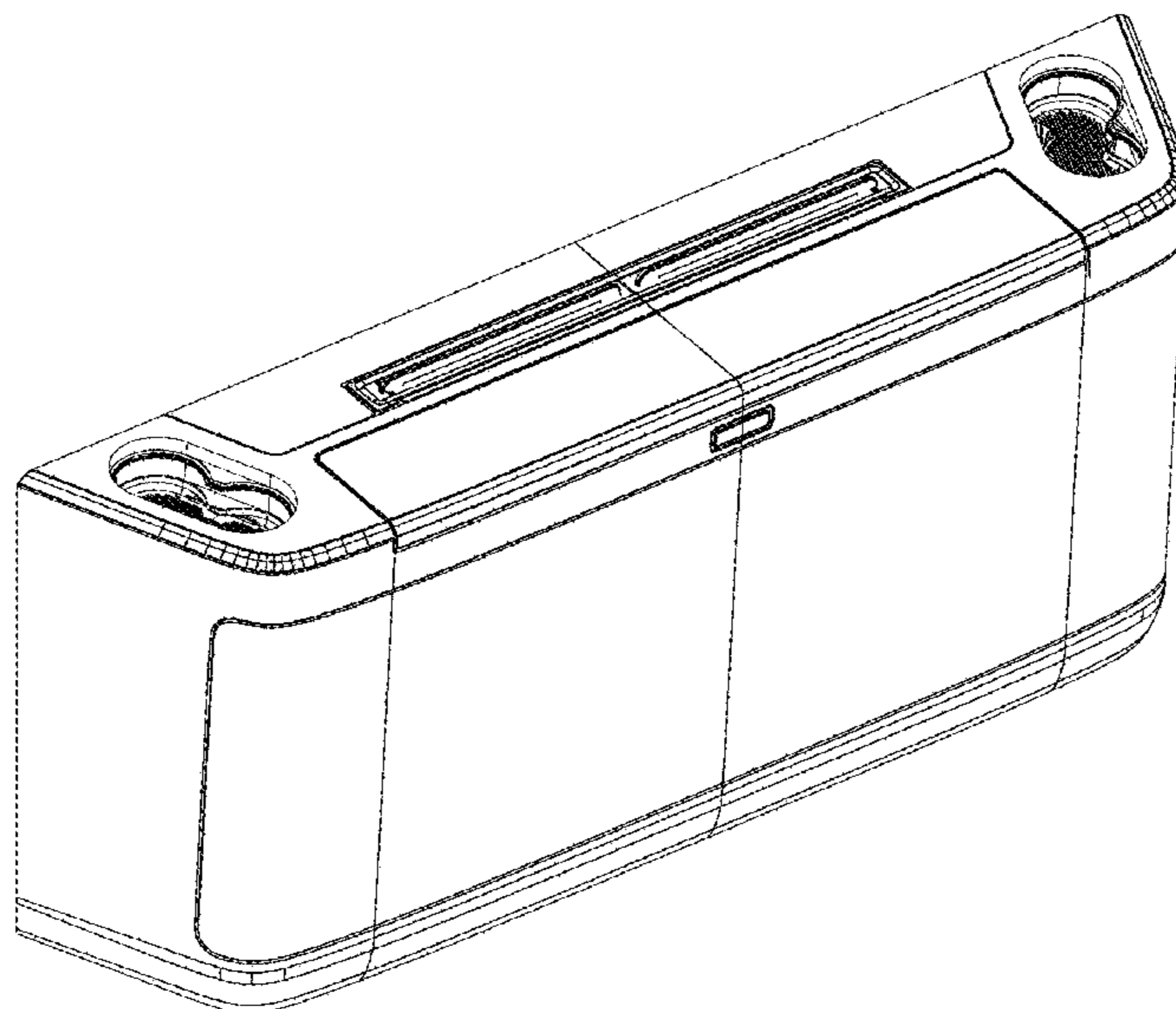
(57) **CLAIM**

The ornamental design for an aircraft interior ledge for recreational and storage use by aircraft cabin occupants.

DESCRIPTION

FIG. 1 is a front perspective view of a side ledge for an aircraft interior ledge for recreational and storage use by aircraft cabin occupants;
FIG. 2 is a top view of the aircraft interior ledge for recreational and storage use by aircraft cabin occupants;
FIG. 3 is a front view of the aircraft interior ledge for recreational and storage use by aircraft cabin occupants;
FIG. 4 is a first side of the aircraft interior ledge for recreational and storage use by aircraft cabin occupants;
FIG. 5 is a second side view of the aircraft interior ledge for recreational and storage use by aircraft cabin occupants; and,
FIG. 6 is a back view of the aircraft interior ledge for recreational and storage use by aircraft cabin occupants.
The broken lines illustrate structure and environment that form no part of the claimed design.

1 Claim, 5 Drawing Sheets



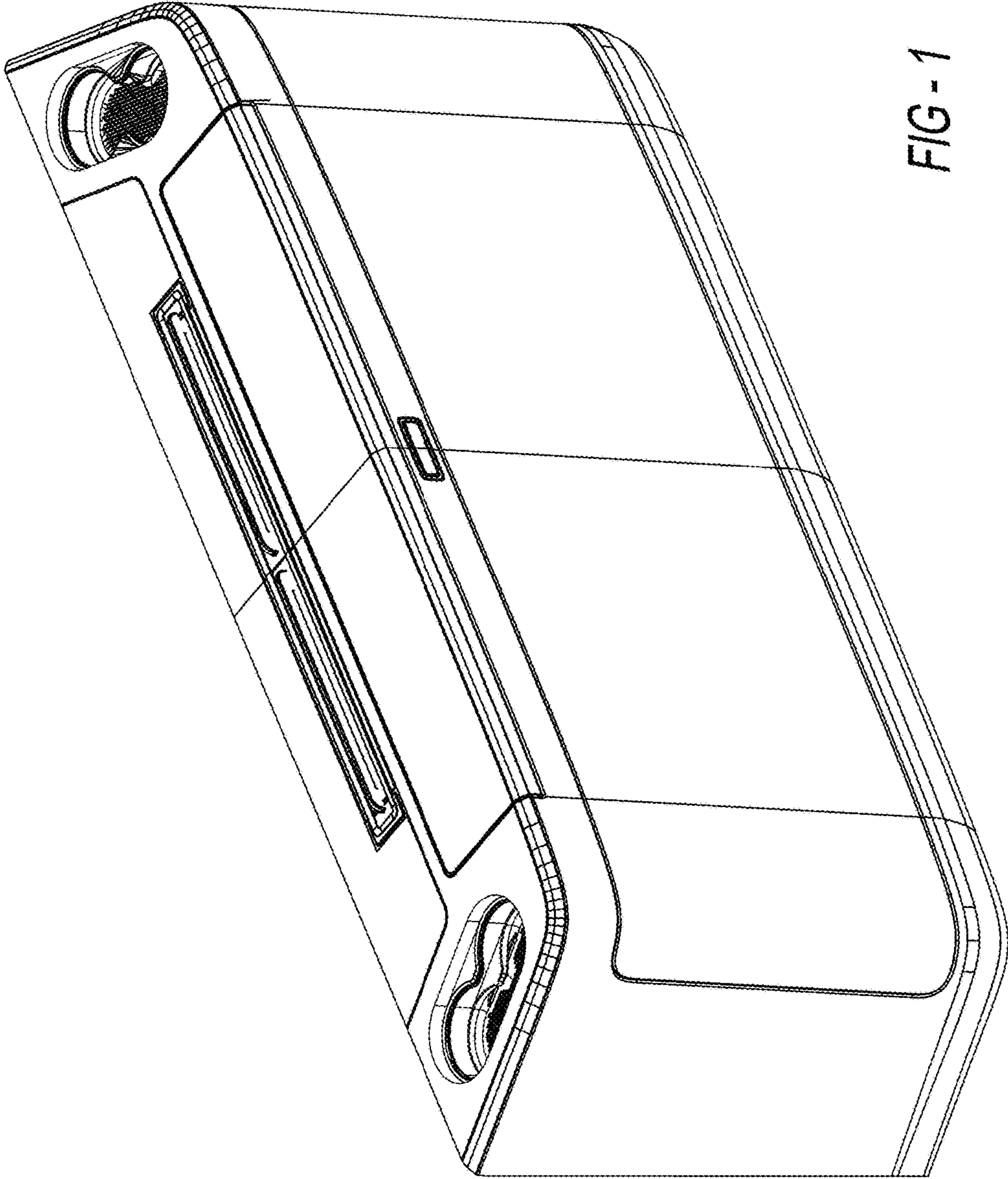


FIG - 1

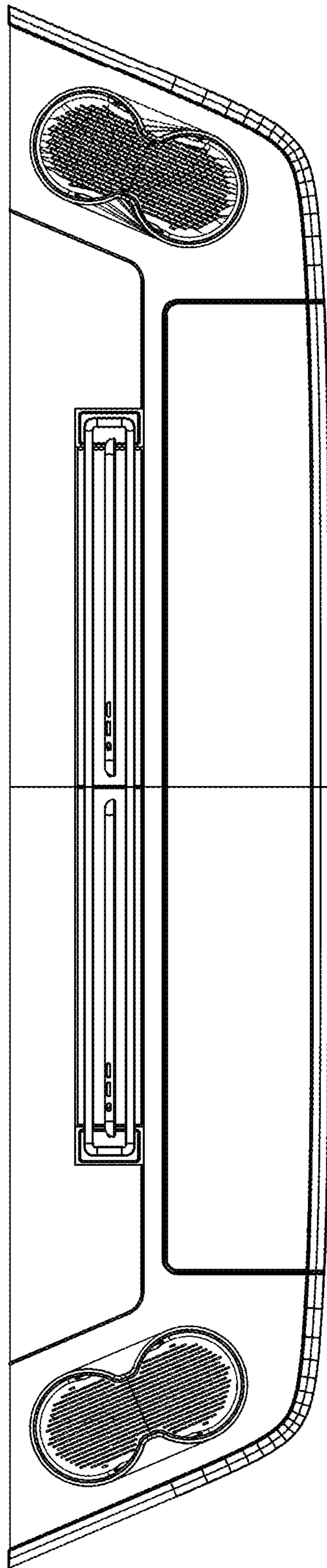


FIG - 2

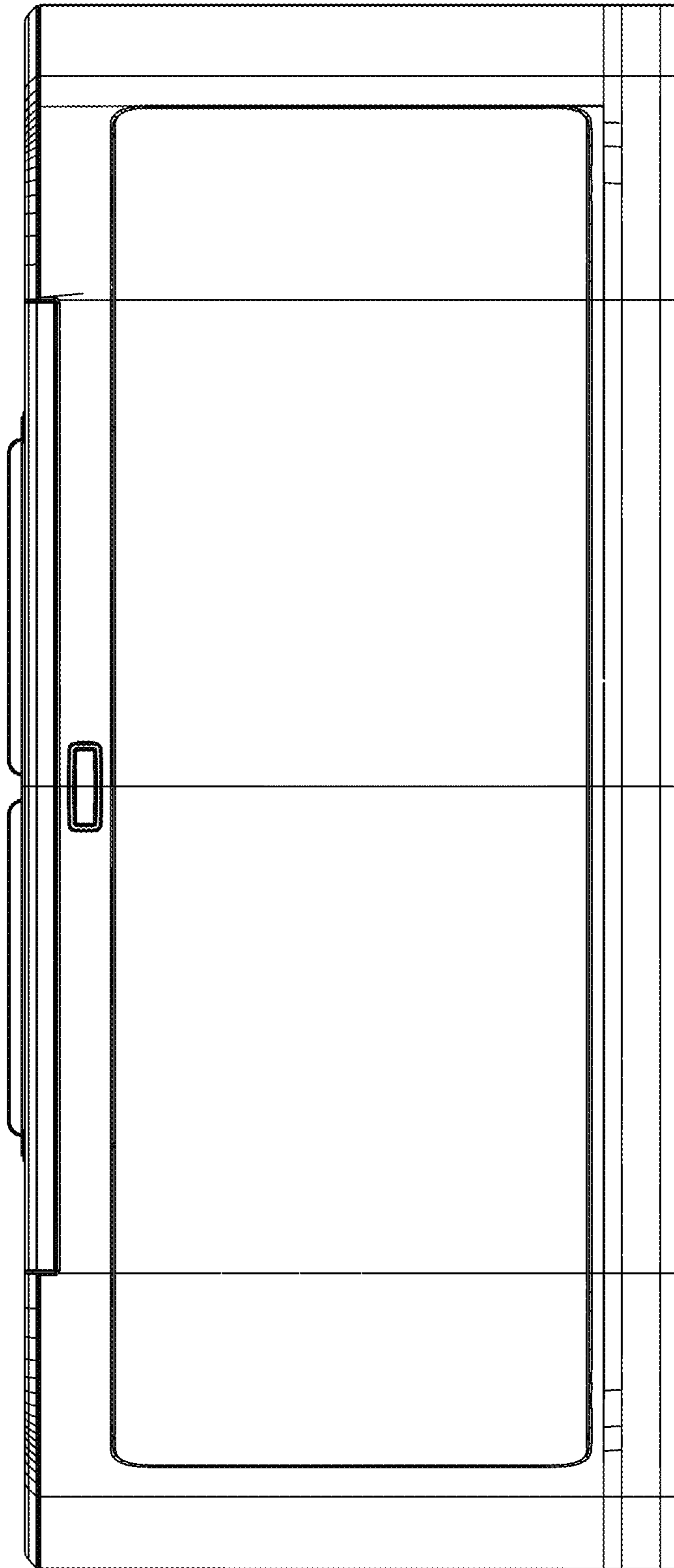


FIG - 3

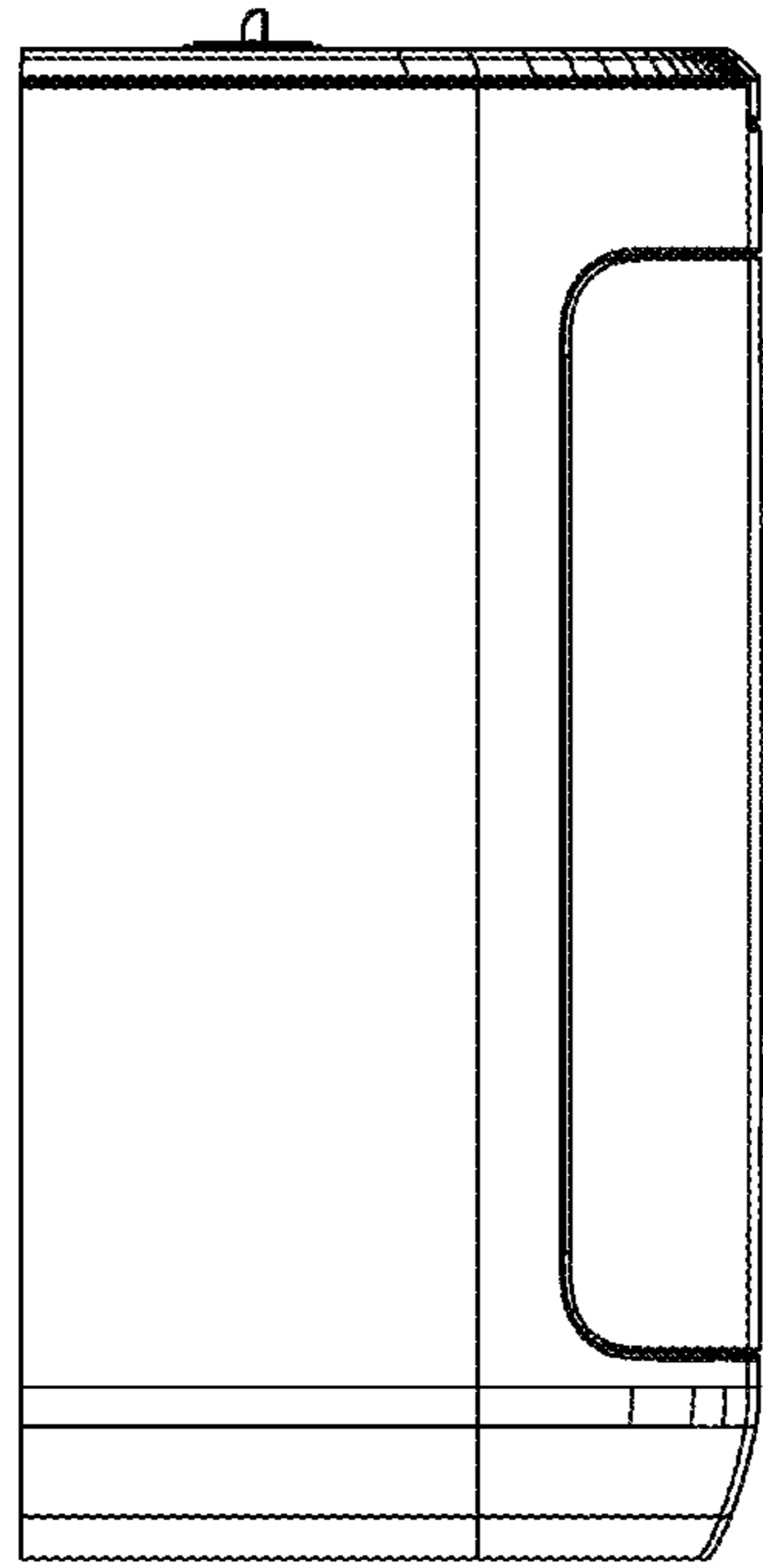


FIG - 4

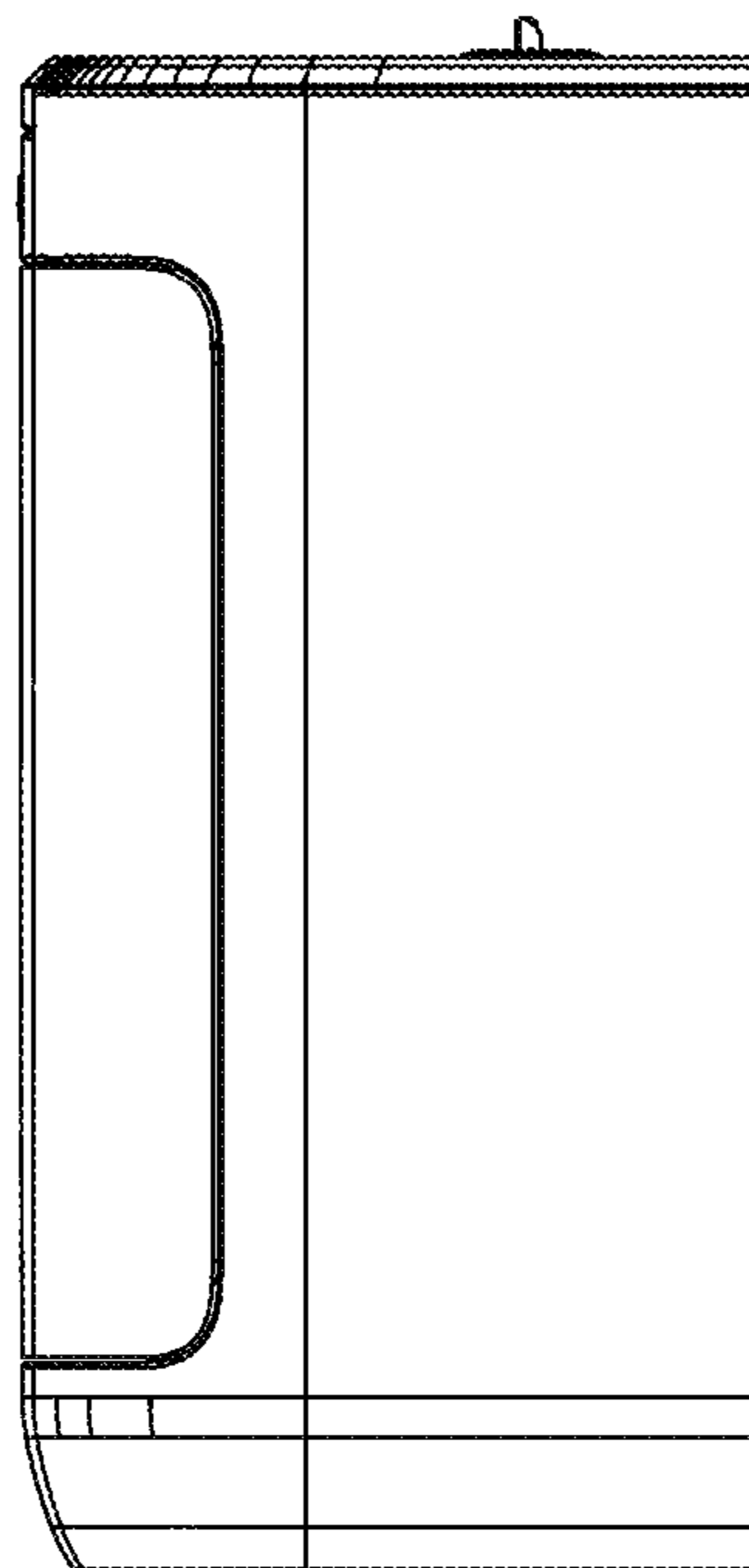


FIG - 5

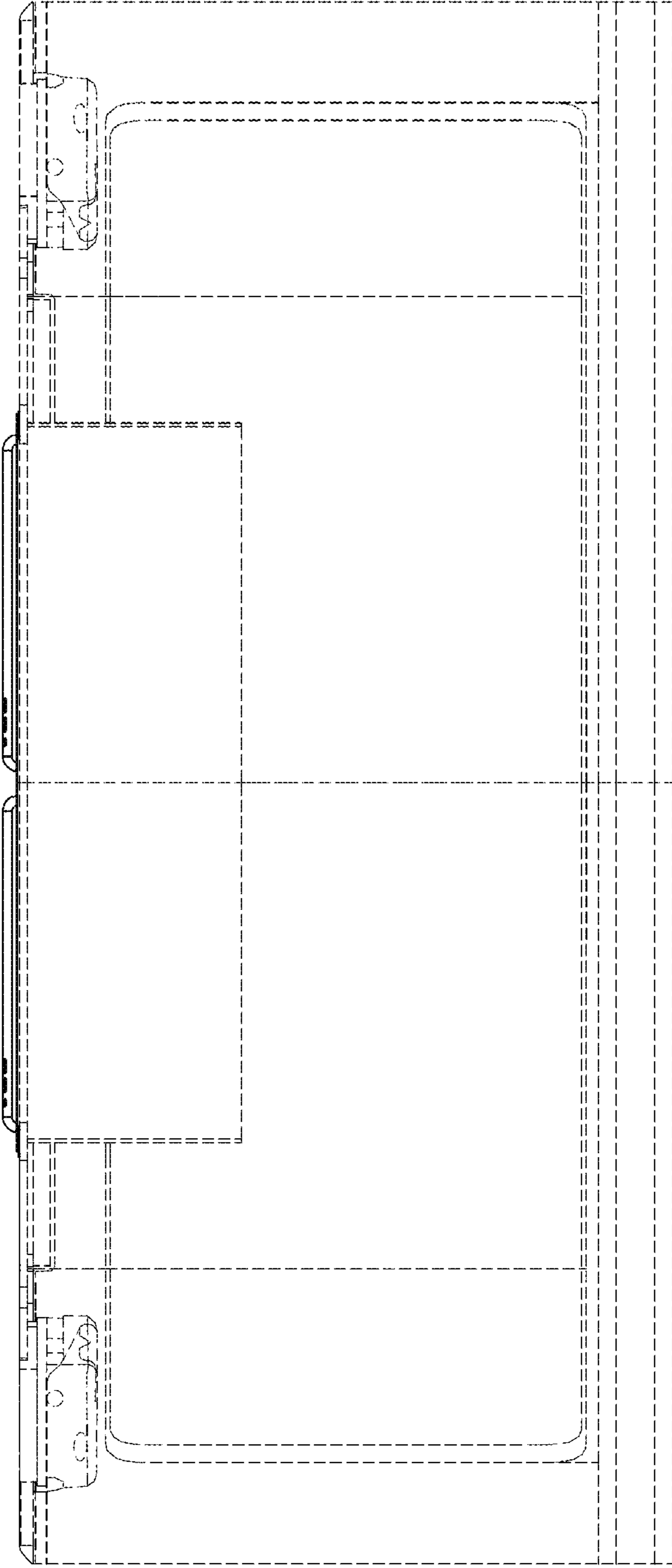


FIG - 6