



US00D772776S

(12) **United States Design Patent**
Deurr et al.

(10) **Patent No.:** **US D772,776 S**

(45) **Date of Patent:** **** Nov. 29, 2016**

- (54) **CUDDY CABIN**
- (71) Applicant: **PREMIER MARINE, INC.**, Wyoming, MN (US)
- (72) Inventors: **John Deurr**, Stacy, MN (US); **David Grovender**, North Branch, MN (US)
- (73) Assignee: **Premier Marine, Inc.**, Wyoming, MN (US)
- (**) Term: **15 Years**
- (21) Appl. No.: **29/534,707**
- (22) Filed: **Jul. 30, 2015**
- (51) **LOC (10) Cl.** **12-06**
- (52) **U.S. Cl.**
USPC **D12/318**
- (58) **Field of Classification Search**
USPC D12/300–318
CPC B63B 29/00; B63B 29/02; B63B 29/029;
B63B 29/14; B63B 29/145
See application file for complete search history.

6,701,863	B2 *	3/2004	Kalhok	B63B 17/02	114/343
D516,495	S	3/2006	Menne			
D520,441	S *	5/2006	Guvenc	D12/300	
7,040,248	B1 *	5/2006	Whitfield	B63B 29/06	104/45
7,117,646	B2 *	10/2006	Blaisdell	B63B 17/00	114/361
8,944,867	B2	2/2015	Grovender			
9,403,581	B2 *	8/2016	Kalil	B63B 29/02	
2004/0266282	A1 *	12/2004	Hahn	B63B 29/02	440/77
2009/0120341	A1	5/2009	Kalil			
2011/0197800	A1	8/2011	Kalil			
2015/0013585	A1	1/2015	Kalil			
2015/0232151	A1 *	8/2015	Fuller, IV	B63B 19/18	114/117

* cited by examiner

Primary Examiner — Cynthia M Chin

(74) *Attorney, Agent, or Firm* — Winthrop & Weinstine, P.A.

(57) **CLAIM**

The ornamental design for a cuddy cabin, as shown and described.

DESCRIPTION

FIG. 1 is a perspective view of a cuddy cabin for a pontoon boat;

FIG. 2 is a perspective view of the cuddy cabin of FIG. 1 as viewed from underneath;

FIG. 3 is a top view of the cuddy cabin of FIG. 1;

FIG. 4 is a bottom view of the cuddy cabin of FIG. 1;

FIG. 5 is a right side view of the cuddy cabin of FIG. 1;

FIG. 6 is a left side view of the cuddy cabin of FIG. 1;

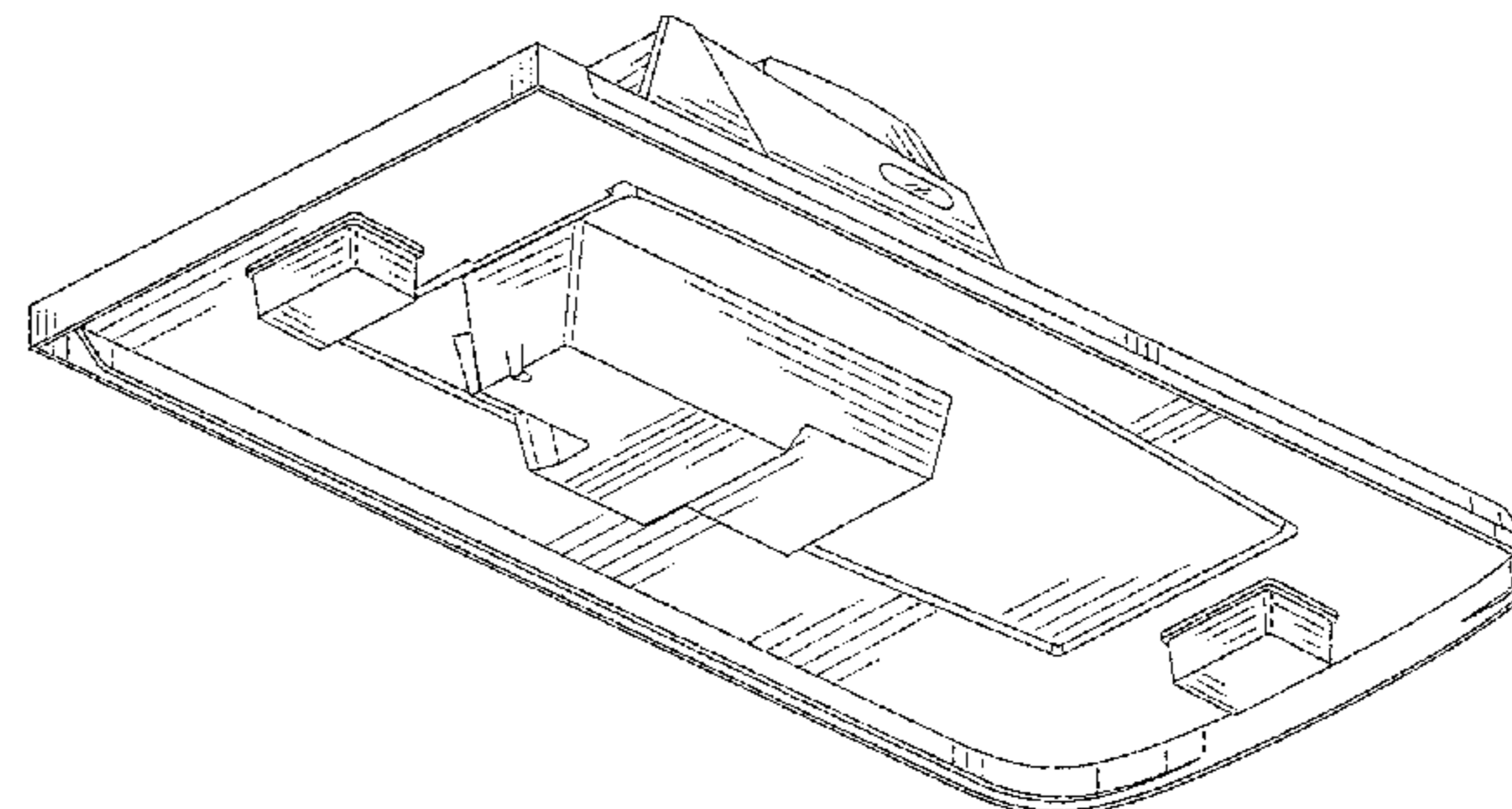
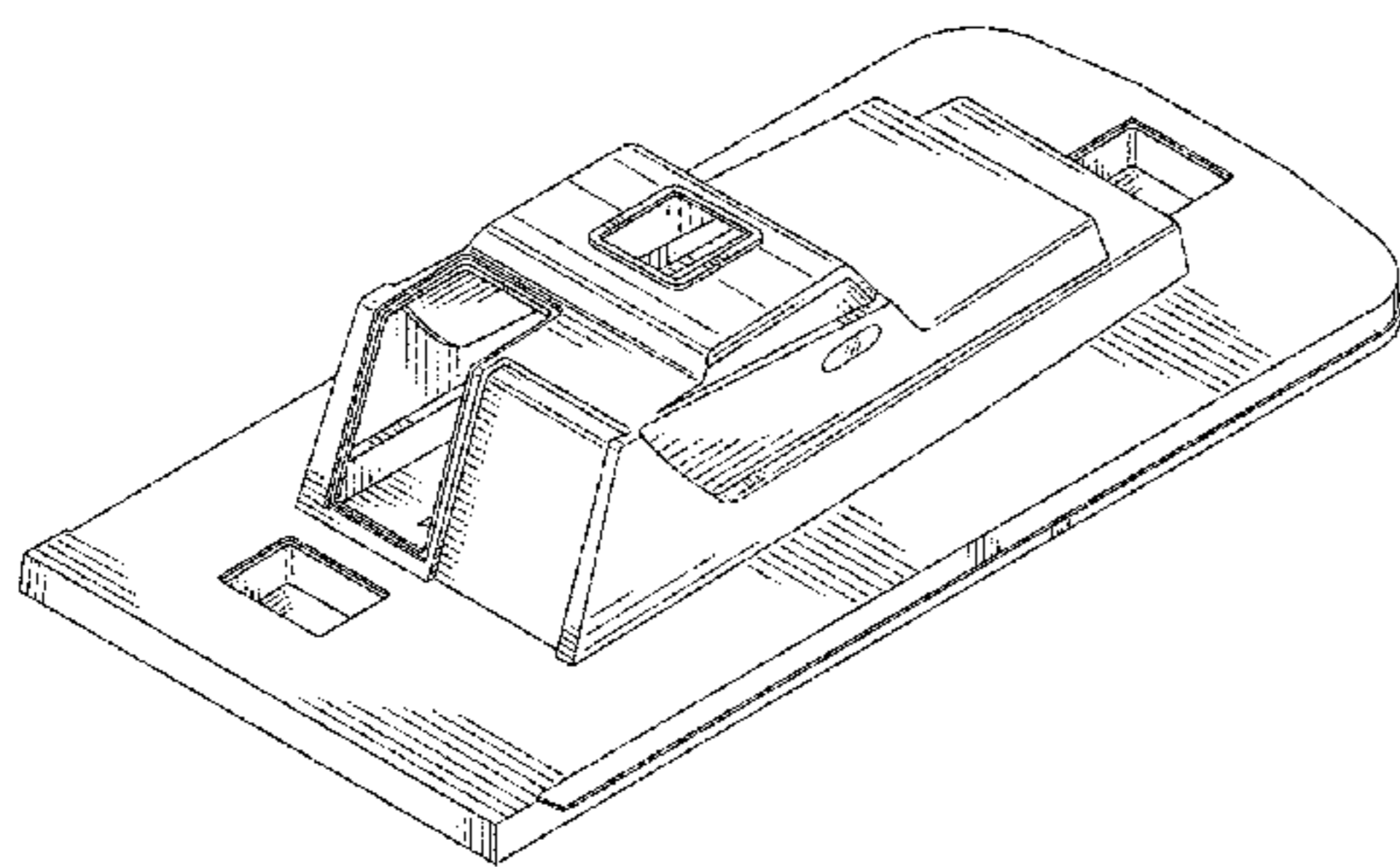
FIG. 7 is a front view of the cuddy cabin of FIG. 1; and,

FIG. 8 is a rear view of the cuddy cabin of FIG. 1.

1 Claim, 6 Drawing Sheets

(56) **References Cited**
U.S. PATENT DOCUMENTS

4,092,754	A	6/1978	Yost			
4,425,861	A *	1/1984	Raikamo	B63B 29/02	114/202
4,685,411	A *	8/1987	Wick	B63B 29/02	114/202
4,729,334	A *	3/1988	DeJean, Jr.	B63B 29/04	114/255
5,029,348	A *	7/1991	Boren	B63B 29/14	4/312
5,209,177	A	5/1993	Granie et al.			
D341,566	S *	11/1993	Brooks	D12/310	



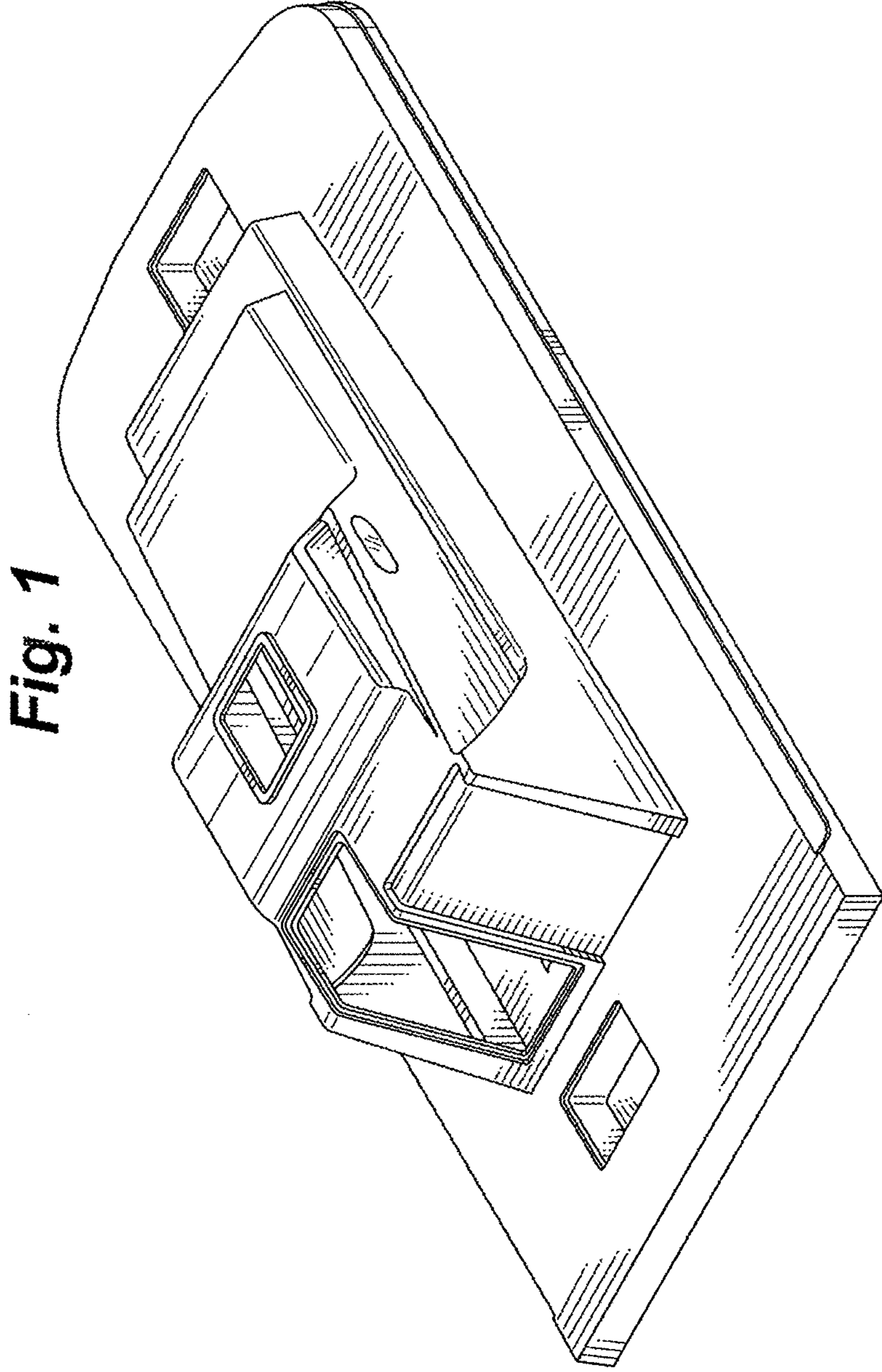


Fig. 2

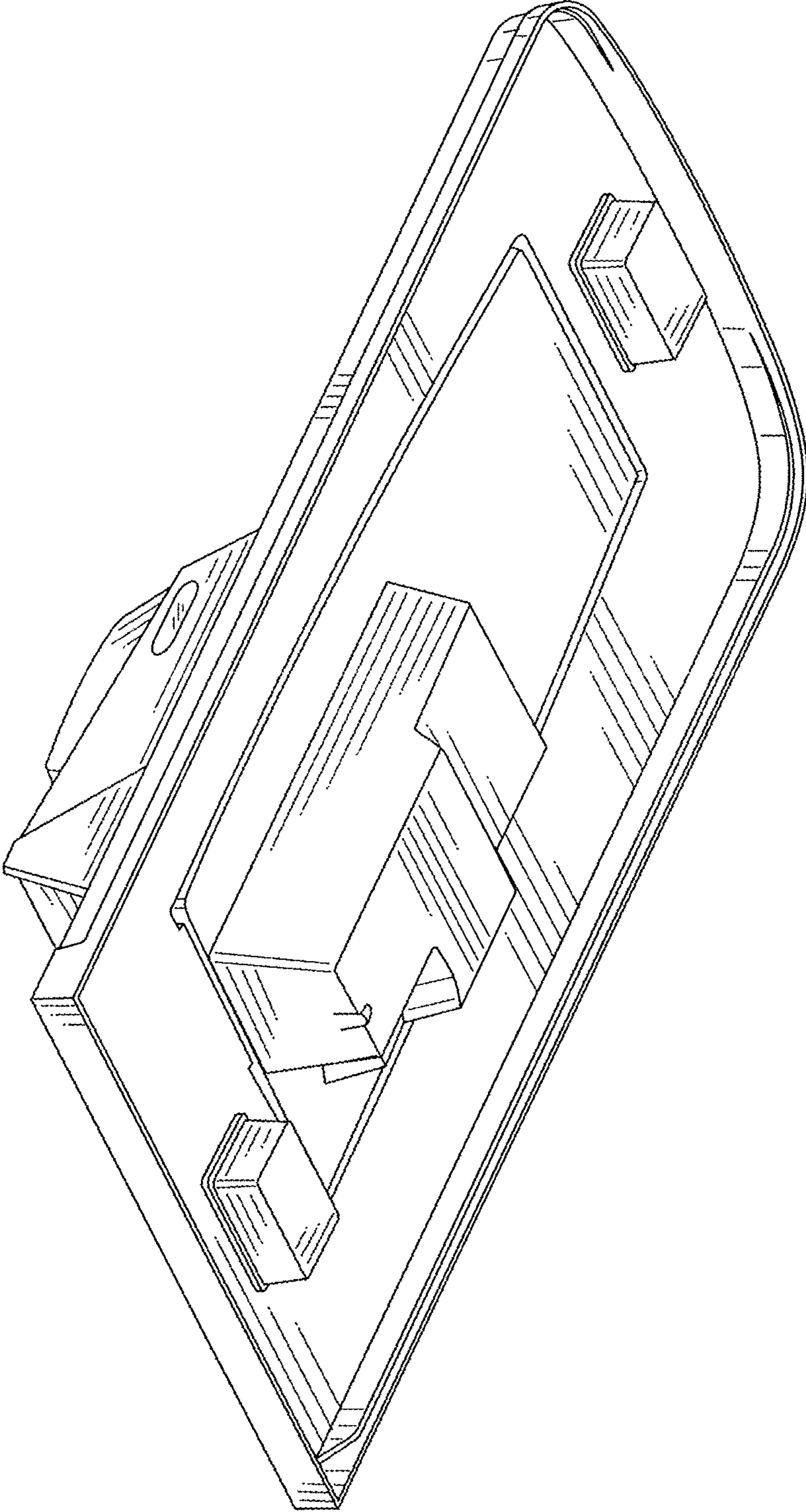


Fig. 3

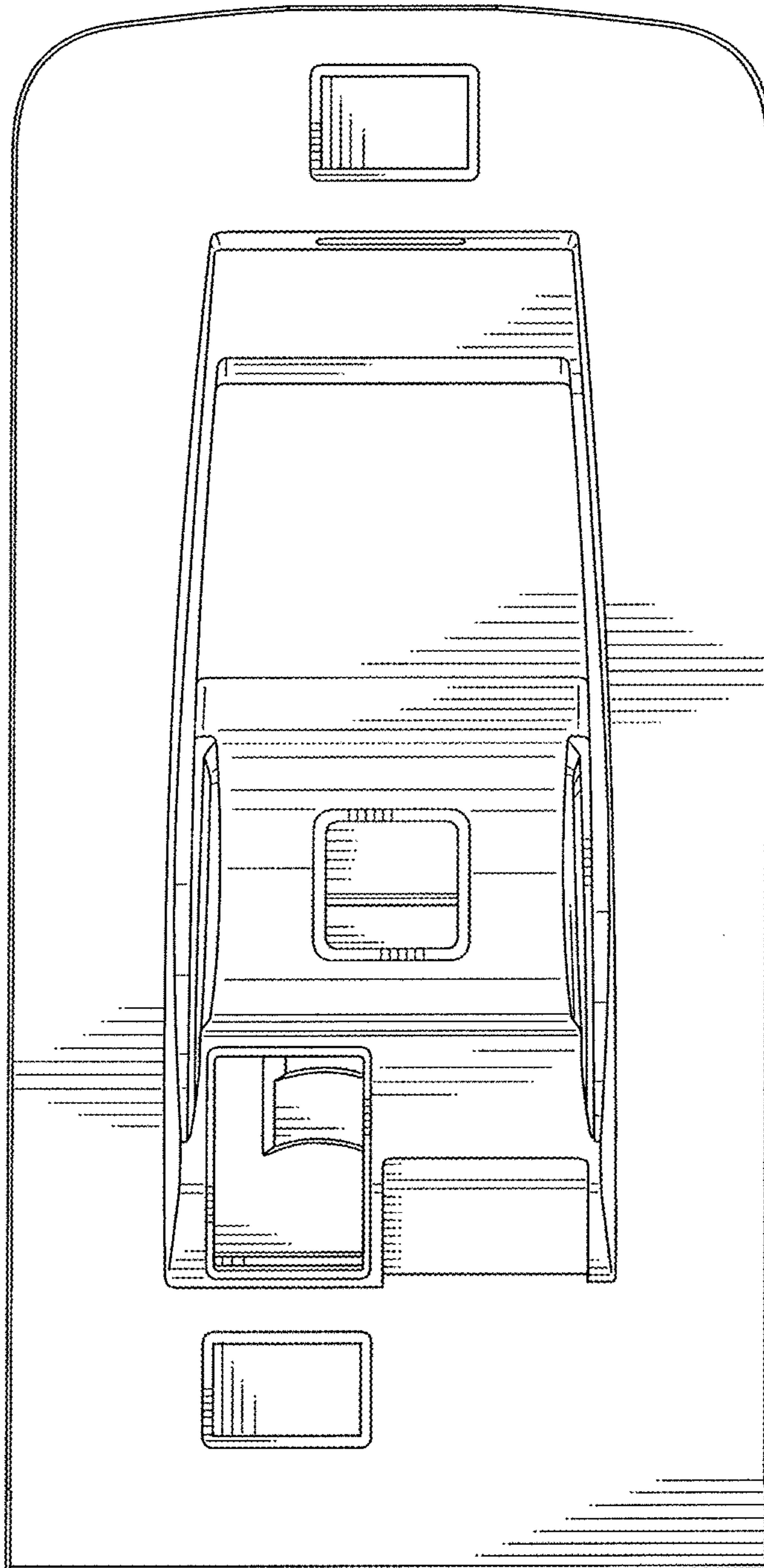
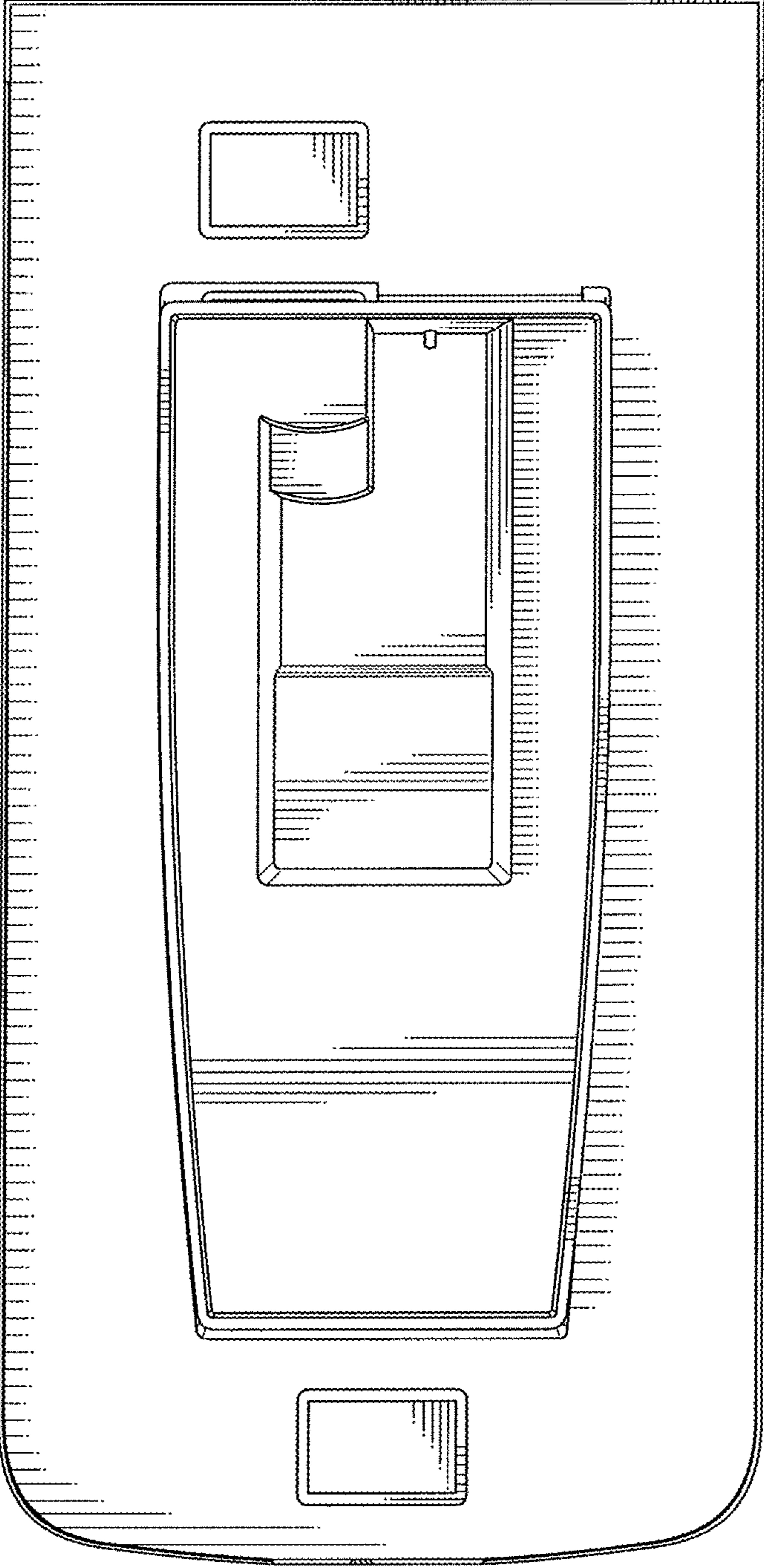


Fig. 4



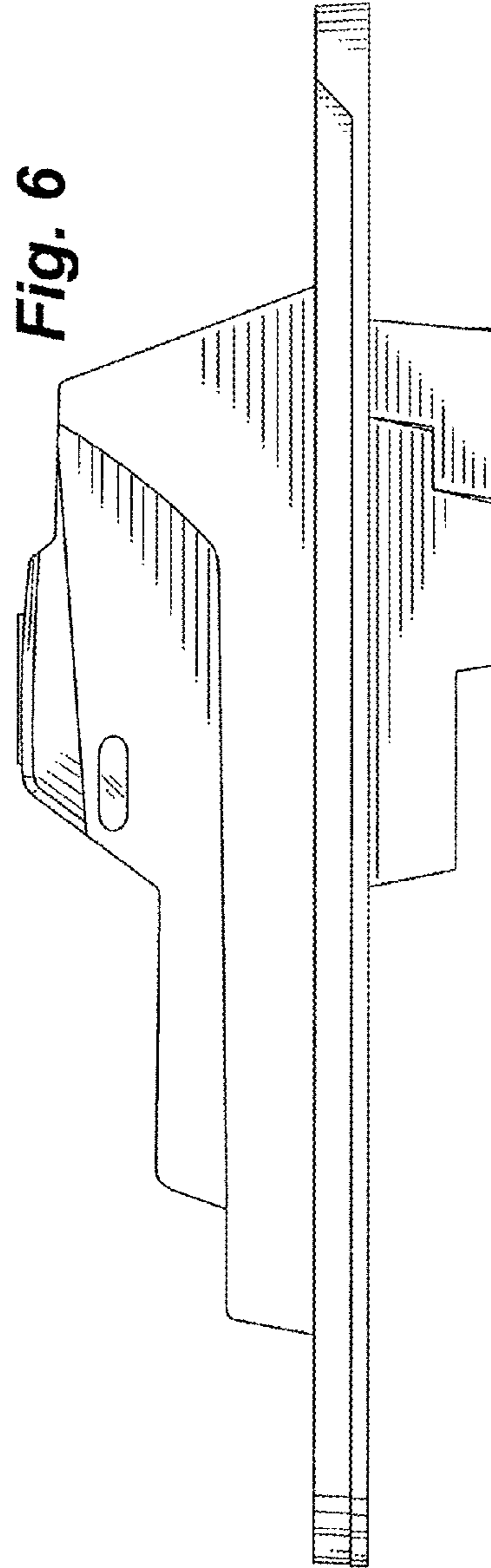
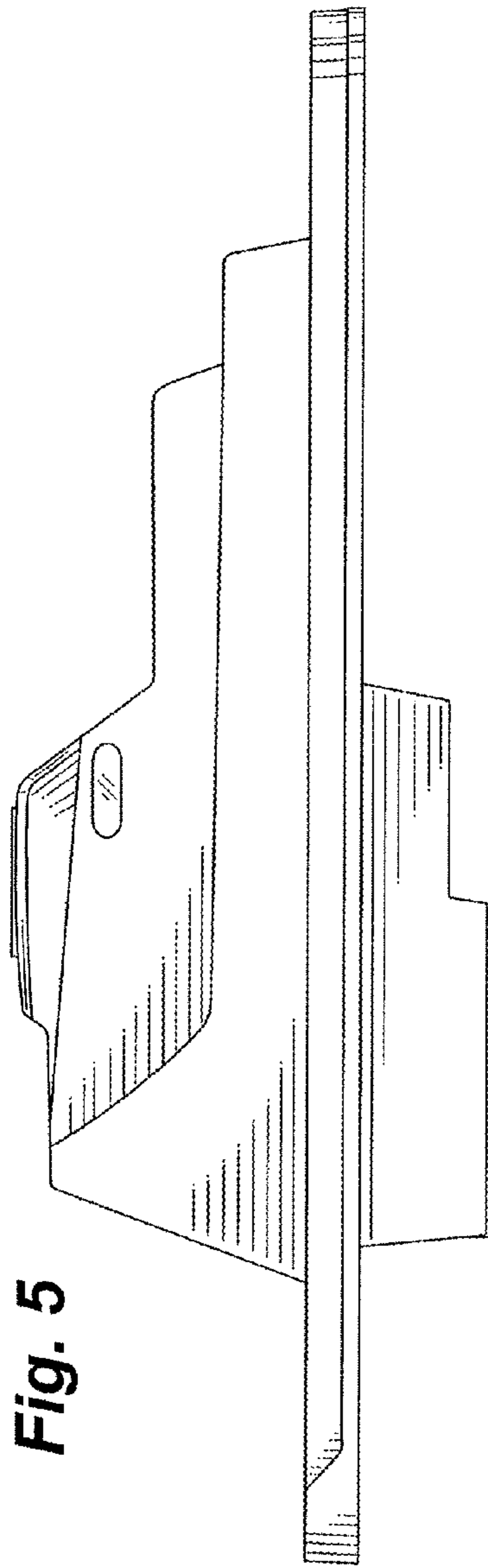


Fig. 7

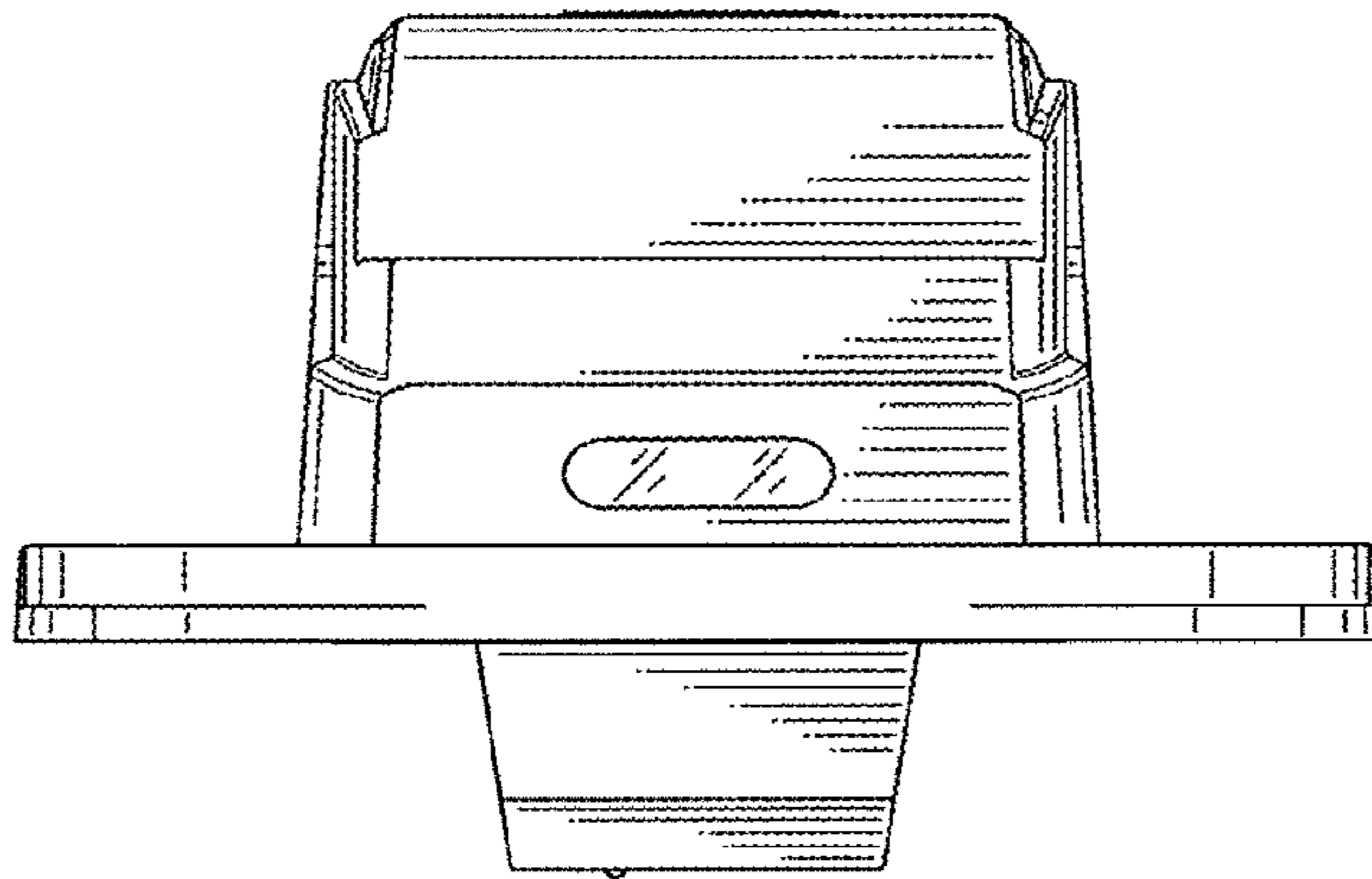


Fig. 8

