



US00D772774S

(12) **United States Design Patent** (10) **Patent No.:** **US D772,774 S**
Yuan (45) **Date of Patent:** **** Nov. 29, 2016**

(54) **MOUNTING BRACKET**
(71) Applicant: **Kevin Yuan**, Riverside, CA (US)
(72) Inventor: **Kevin Yuan**, Riverside, CA (US)
(73) Assignee: **Group-A Autosports, Inc.**, Norco, CA (US)

D301,973 S * 7/1989 Parella 141/292
D313,341 S * 1/1991 Gaboriault D28/73
D401,486 S * 11/1998 Becker D21/793
D454,828 S * 3/2002 Alder D12/223
D465,188 S * 11/2002 McCoy D12/223
D479,793 S * 9/2003 Jones D8/349
D579,402 S * 10/2008 Ball D12/223
D623,030 S * 9/2010 Spater D8/16

(**) Term: **14 Years**

* cited by examiner

(21) Appl. No.: **29/509,805**

Primary Examiner — Robert M Spear

(22) Filed: **Nov. 21, 2014**

Assistant Examiner — Eliza Bennett-Hattan

(51) **LOC (10) Cl.** **12-06**

(74) *Attorney, Agent, or Firm* — Steven N. Fox, Esq.

(52) **U.S. Cl.**
USPC **D12/223**; D8/19

(58) **Field of Classification Search**
USPC D8/16, 17, 18, 19, 20, 105, 349, 354,
D8/363, 366, 367, 370–377, 380–382;
D23/223, 420

(57) **CLAIM**
The ornamental design for a mounting bracket, as shown and described.

CPC F16M 7/00; B60G 2204/10; B60G 2204/143; B60G 2204/41; B60K 5/12; F02B 67/00; F02M 26/03; F02M 35/10013; F02M 35/10157; F02M 35/116; F02M 35/161; F02M 69/22; F16H 55/38; F02D 21/08; F02D 23/00; F02D 9/16; F04B 45/022; F28F 1/00; F28F 1/022; F28F 1/26; F28F 1/32

DESCRIPTION

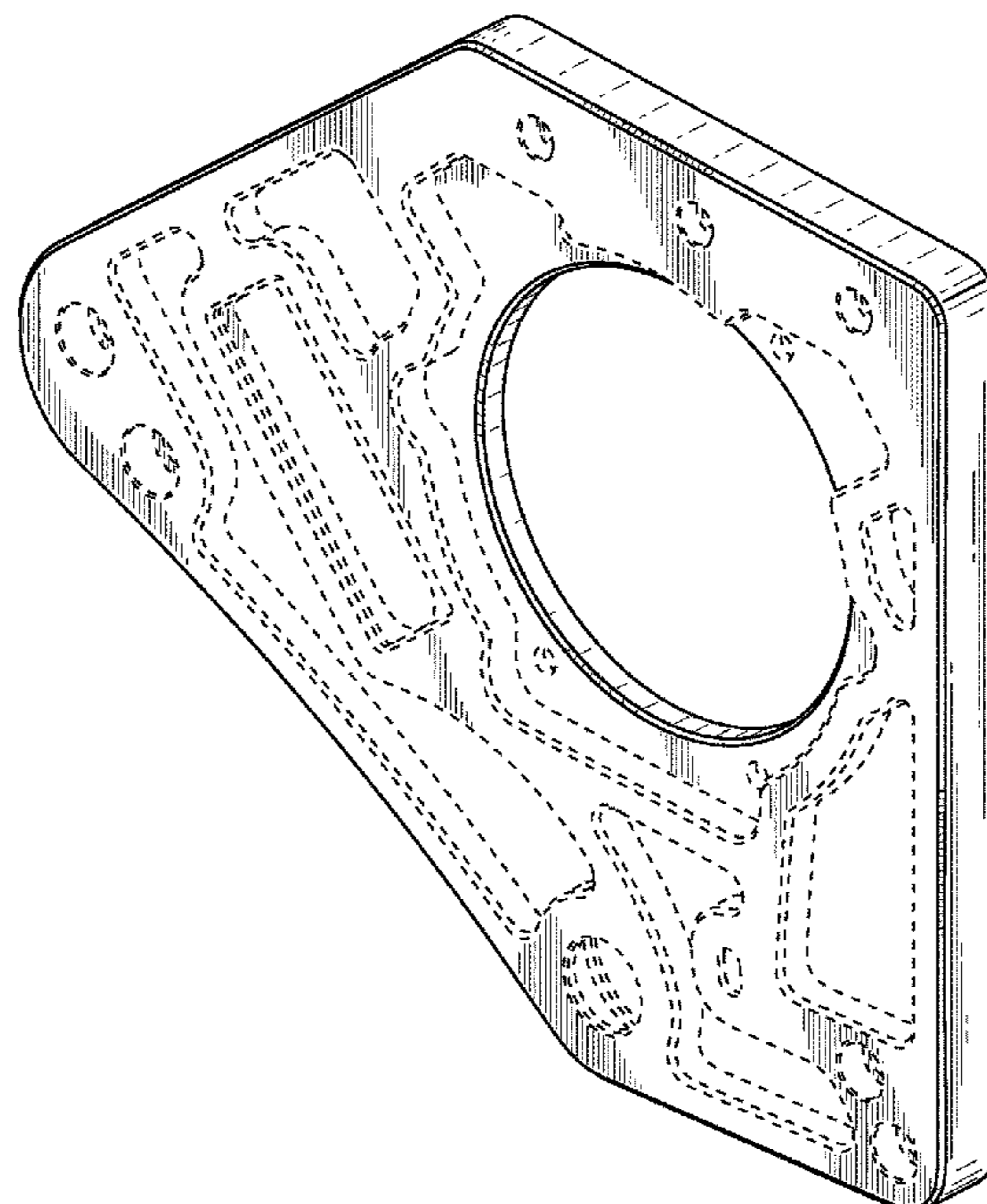
See application file for complete search history.

FIG. 1 is a front perspective view of a mounting bracket according to the present invention;
FIG. 2 is a top view thereof;
FIG. 3 is a front view thereof;
FIG. 4 is a bottom view thereof;
FIG. 5 is a right side view thereof;
FIG. 6 is a rear view thereof; and,
FIG. 7 is a left side view thereof.
The features shown in broken lines are not part of the claimed design.

(56) **References Cited**
U.S. PATENT DOCUMENTS

D254,050 S * 1/1980 Fitzgerald 141/392
D276,787 S * 12/1984 Burns D8/18

1 Claim, 3 Drawing Sheets



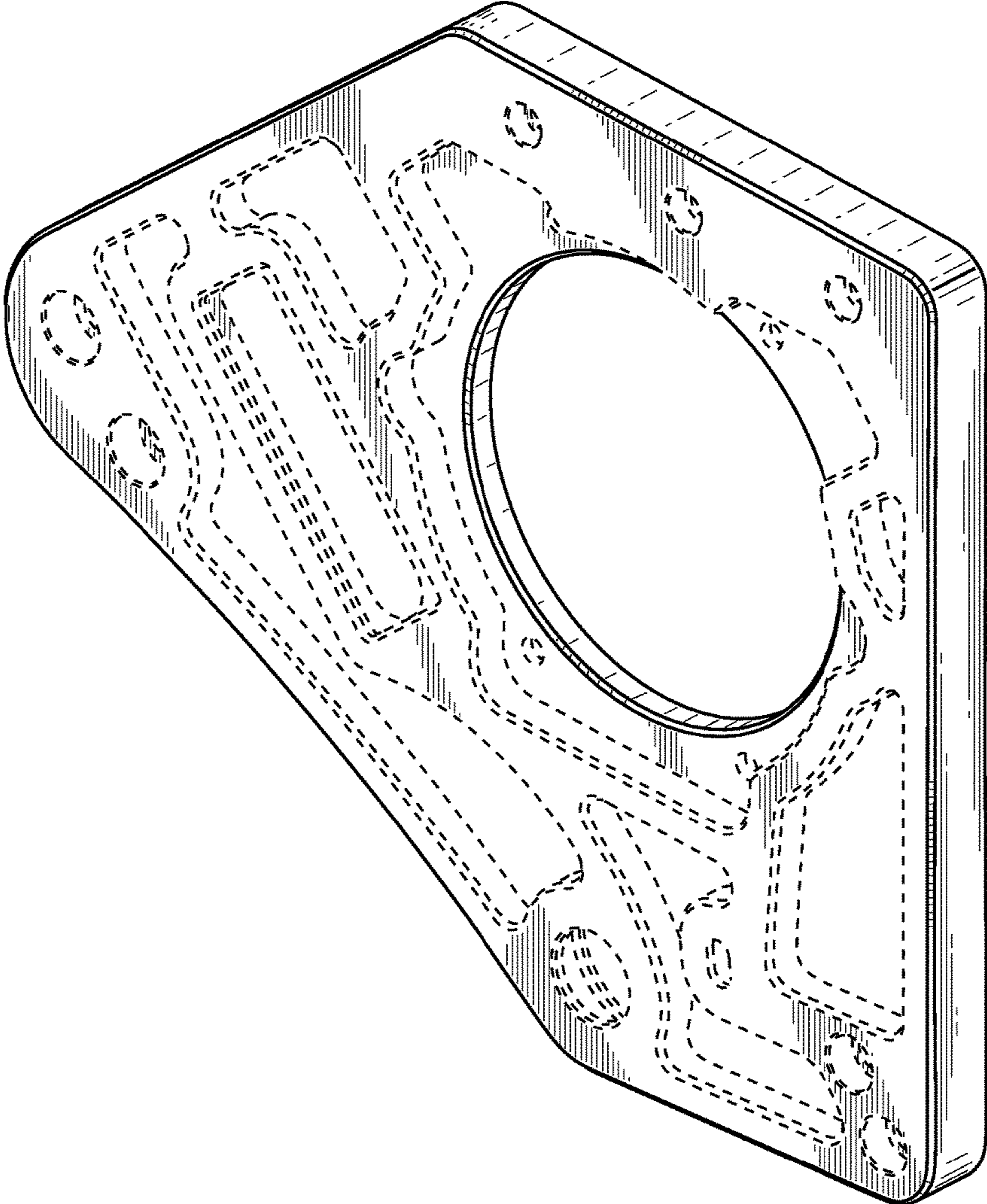


FIG. 1

FIG. 2



FIG. 3

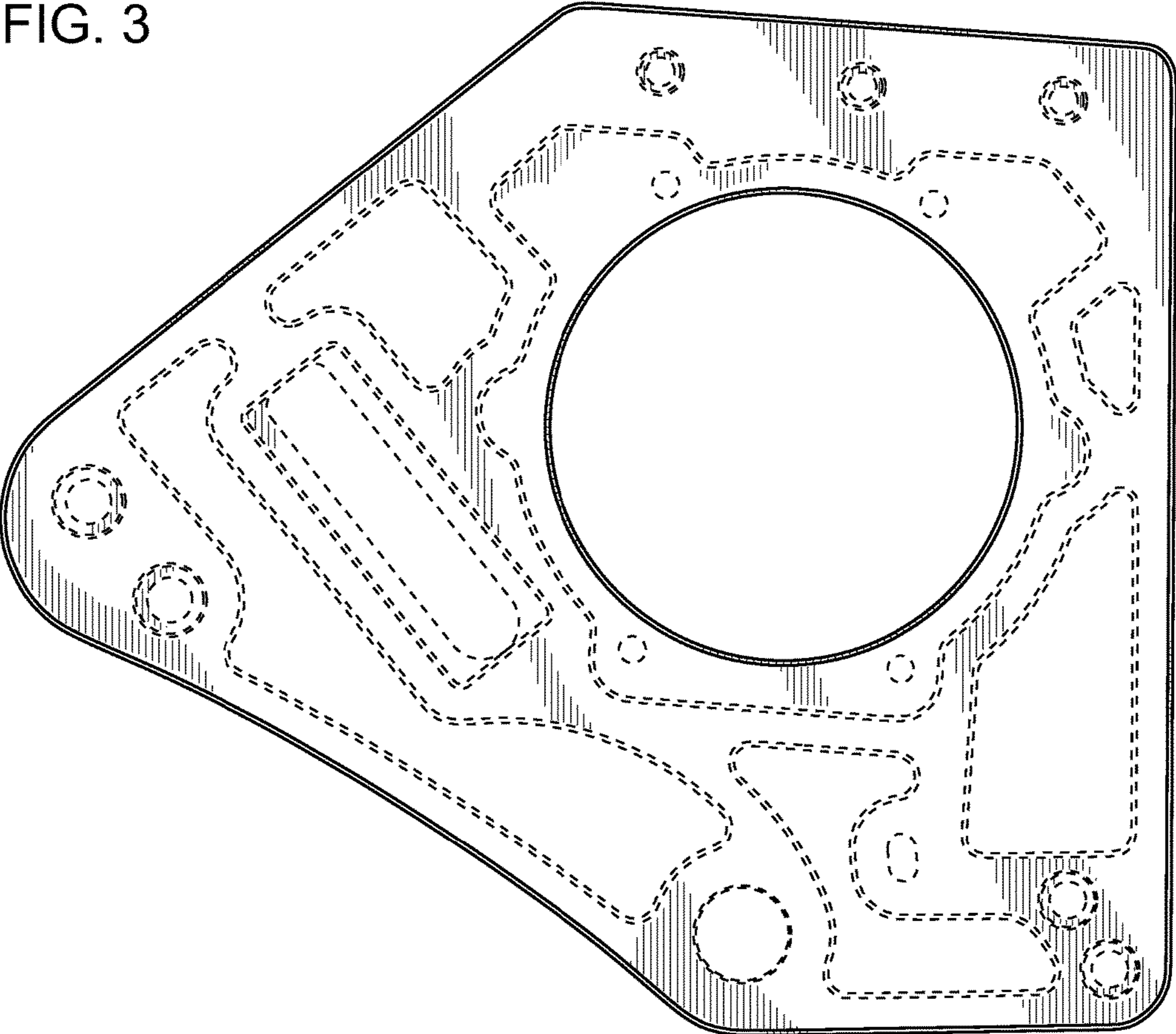


FIG. 4





FIG. 7

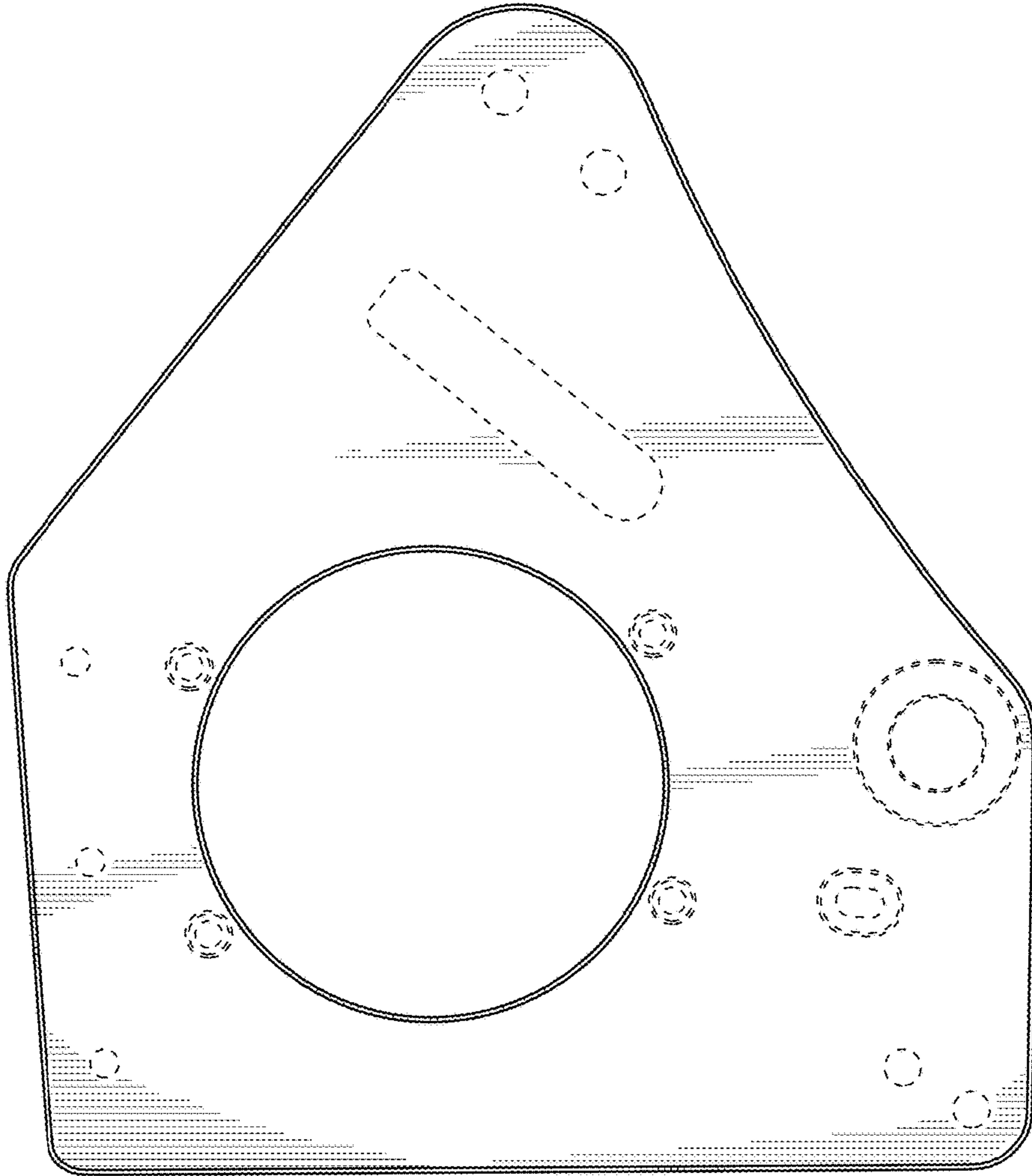


FIG. 6

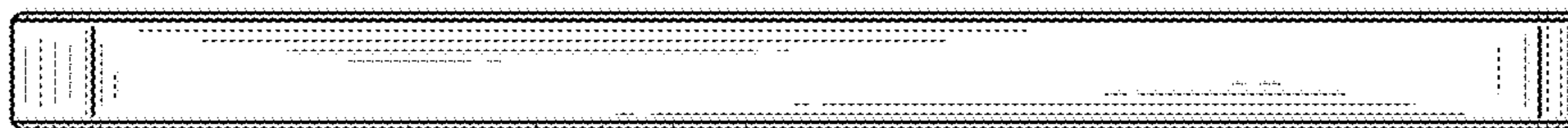


FIG. 5