



US00D772770S

(12) **United States Design Patent** (10) **Patent No.:** **US D772,770 S**  
**Yoshimine et al.** (45) **Date of Patent:** **\*\* Nov. 29, 2016**

(54) **AUTOMOBILE** D660,754 S \* 5/2012 Nakamuta ..... D12/190  
D710,264 S \* 8/2014 Watkins ..... D12/169  
(71) Applicant: **mitsubishi JIDOSHA KOGYO** D744,916 S \* 12/2015 Curic ..... D12/169  
**KABUSHIKI KAISHA, Tokyo (JP)** D748,025 S \* 1/2016 Yoshimine ..... D12/190  
D749,470 S \* 2/2016 Behmer ..... D12/169  
(72) Inventors: **Norihiko Yoshimine, Nagoya (JP);** D753,036 S \* 4/2016 Curic ..... D12/169  
**Yuichiro Ishizuka, Nagoya (JP)** D757,621 S \* 5/2016 Ahn ..... D12/196  
D760,136 S \* 6/2016 Takahashi ..... D12/190  
(73) Assignee: **mitsubishi JIDOSHA KOGYO** 2006/0255602 A1\* 11/2006 Evans ..... B60R 19/18  
**KABUSHIKI KAISHA, Tokyo (JP)** 293/120

(\*\*) Term: **14 Years** \* cited by examiner  
*Primary Examiner* — Katrina A Betton  
(21) Appl. No.: **29/514,194** (74) *Attorney, Agent, or Firm* — Birch, Stewart, Kolasch  
& Birch, LLP  
(22) Filed: **Jan. 9, 2015**

(30) **Foreign Application Priority Data** (57) **CLAIM**  
Jul. 22, 2014 (JP) ..... 2014-015829  
The ornamental design for an automobile, as shown and described.  
(51) **LOC (10) Cl.** ..... **12-08**  
(52) **U.S. Cl.**  
USPC ..... **D12/190**  
(58) **Field of Classification Search**  
USPC ..... D12/190, 192, 400, 90, 91, 92, 199,  
D12/197, 86, 171, 169, 163, 110, 114  
CPC ..... B60R 2013/0293; B60R 13/043  
See application file for complete search history.

(56) **References Cited** (57) **DESCRIPTION**  
U.S. PATENT DOCUMENTS  
D291,680 S \* 9/1987 Everts ..... D12/170  
D584,996 S 1/2009 Jamieson et al.  
FIG. 1 is a perspective view of the front, top and right side of an automobile showing our new design;  
FIG. 2 is a front view thereof;  
FIG. 3 is a rear view thereof;  
FIG. 4 is a left side view thereof;  
FIG. 5 is a right side view thereof; and,  
FIG. 6 is a top plan view thereof.  
The bottom is unornamental.  
**1 Claim, 6 Drawing Sheets**

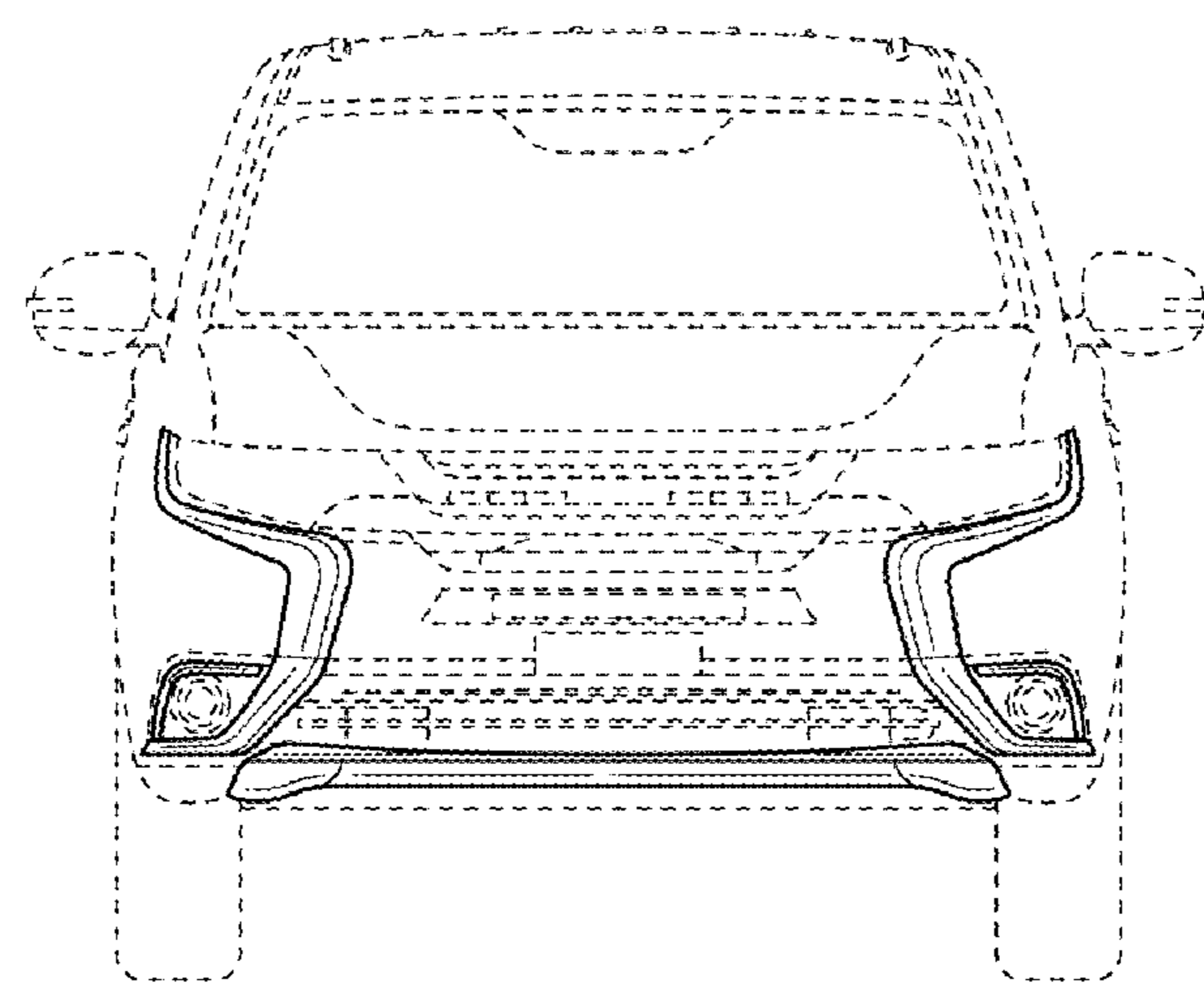


Fig. 1

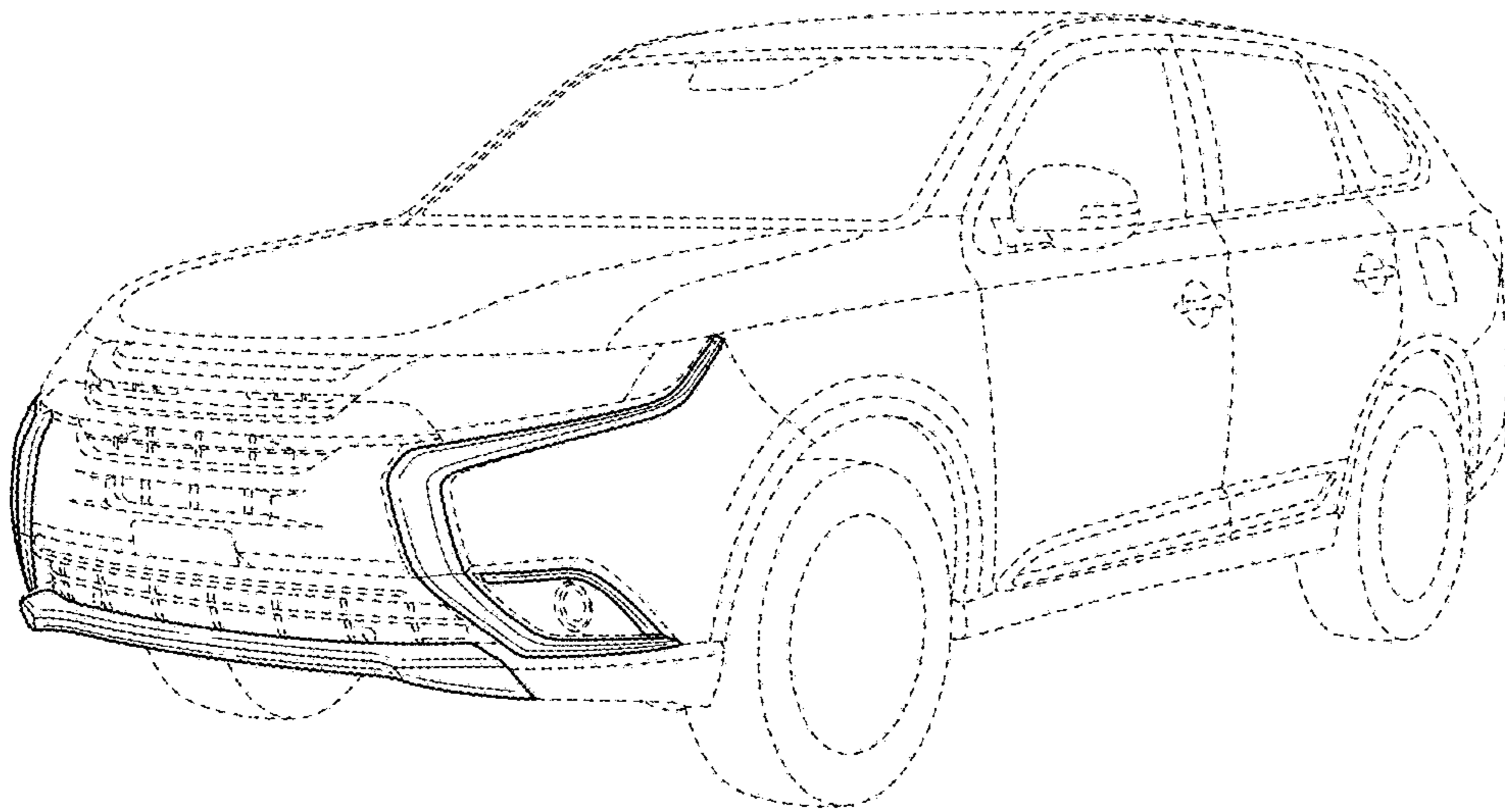


Fig. 2

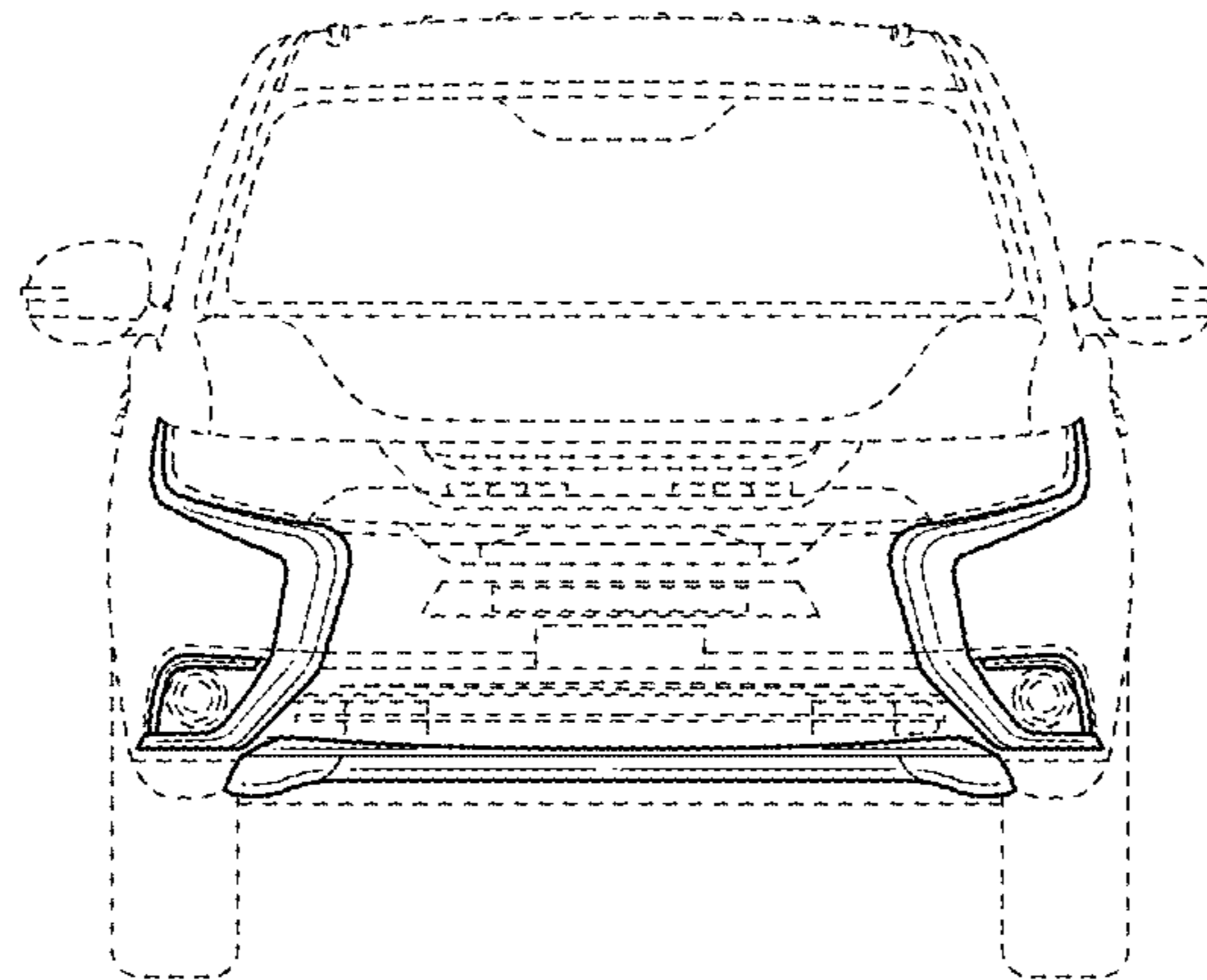


Fig. 3

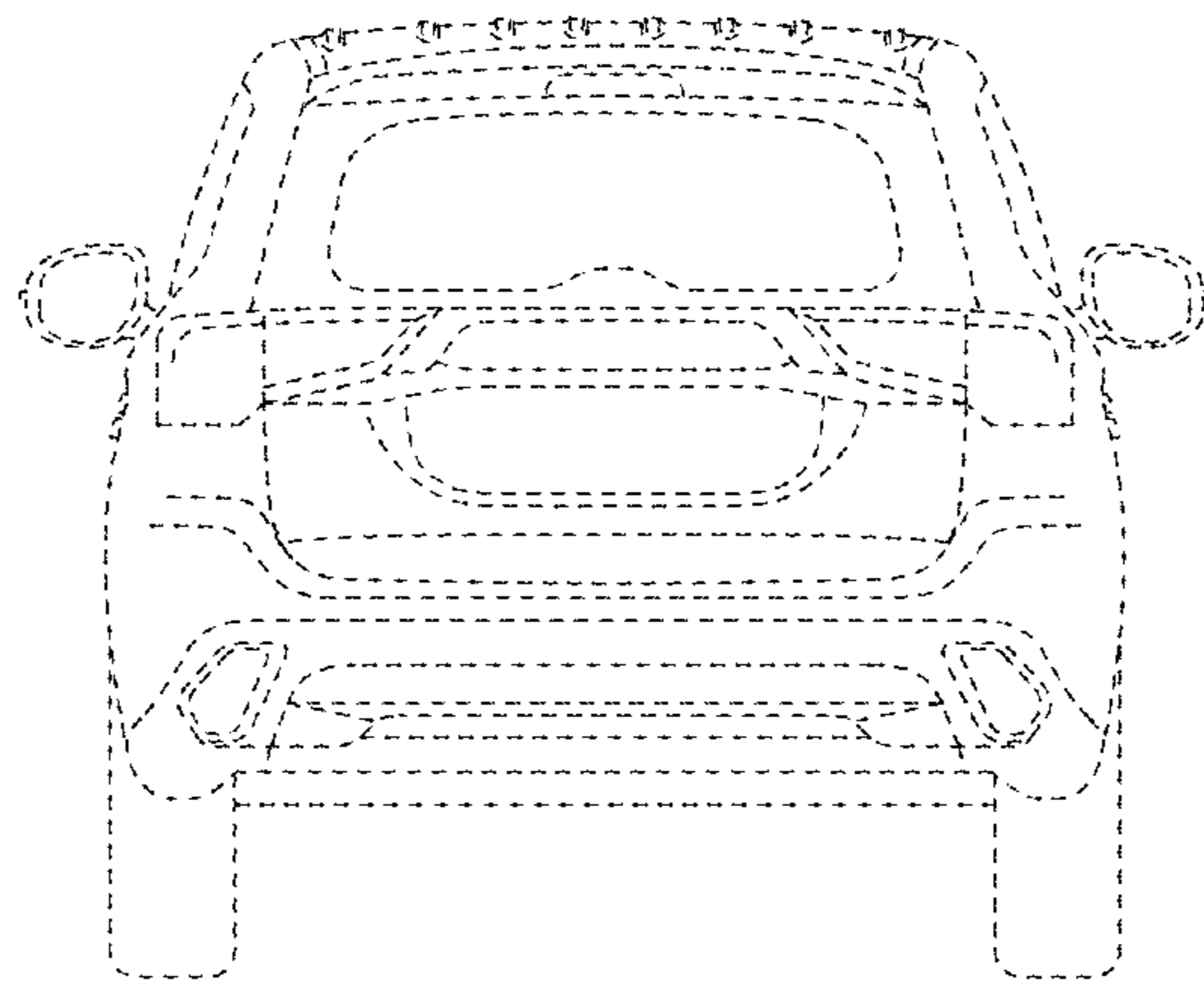


Fig. 4

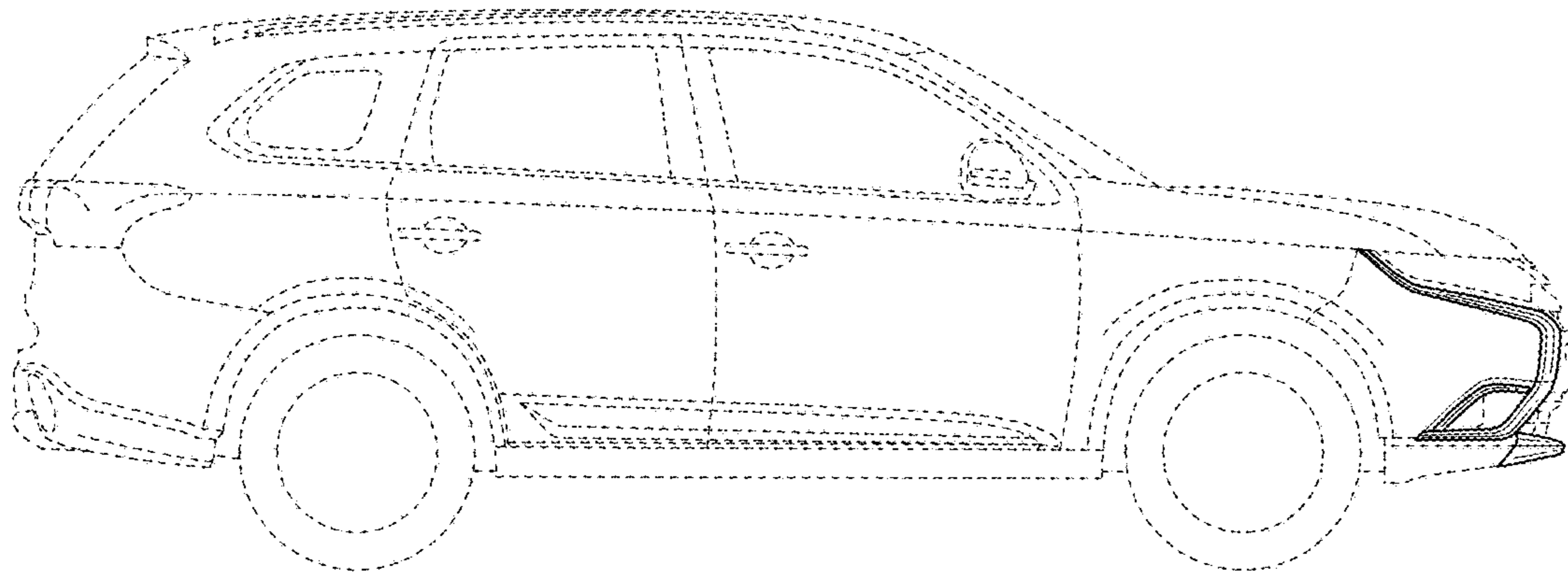


Fig. 5

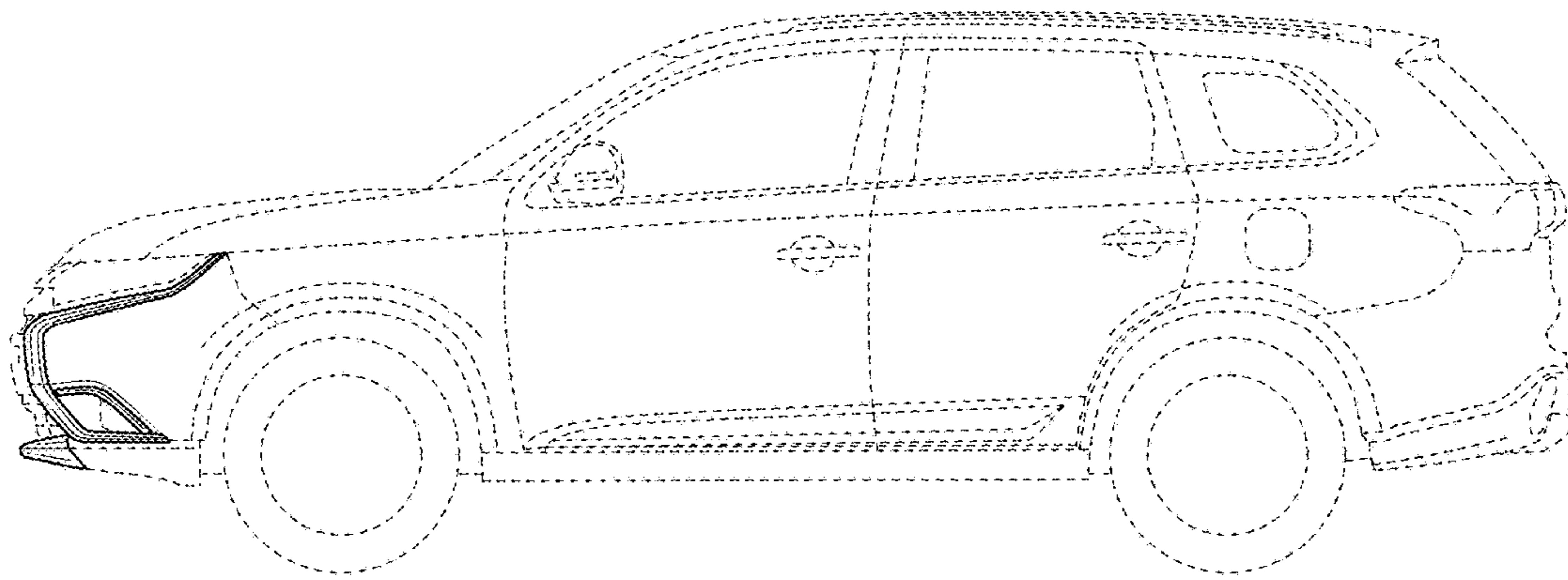


Fig. 6

