



US00D772768S

(12) **United States Design Patent**
Chiang

(10) **Patent No.:** **US D772,768 S**

(45) **Date of Patent:** **** Nov. 29, 2016**

(54) **VEHICLE HOOD COVER**

(71) Applicant: **Grand HC Auto Tooling Corp.**, Taipei (TW)

(72) Inventor: **Tommy Chiang**, Taipei (TW)

(73) Assignee: **GRAND HC AUTO TOOLING CORP.**, Taipei (TW)

(**) Term: **15 Years**

(21) Appl. No.: **29/540,165**

(22) Filed: **Sep. 21, 2015**

(51) **LOC (10) Cl.** **12-16**

(52) **U.S. Cl.**
USPC **D12/173**

(58) **Field of Classification Search**
USPC D12/173, 196, 86, 90-92, 181;
180/69.21, 69.2, 69.22;
296/190.1-190.5, 190.8, 193.11, 37.6
CPC B62D 25/10; B62D 25/06; B62D 65/02;
B62D 25/12; B60Q 1/00
See application file for complete search history.

(56) **References Cited**

U.S. PATENT DOCUMENTS

D510,550 S * 10/2005 Chiang D12/173
D518,761 S * 4/2006 Chiang D12/173

D597,454 S * 8/2009 Wagner D12/173
D612,779 S * 3/2010 Elliott D12/173
D655,227 S * 3/2012 Hanson D12/173
D709,003 S * 7/2014 Jung D12/173
D709,004 S * 7/2014 Jung D12/173
D725,557 S * 3/2015 Wolff D12/173
D735,098 S * 7/2015 Chiang D12/173
D756,864 S * 5/2016 Ino D12/173

* cited by examiner

Primary Examiner — Melody N Brown

(74) *Attorney, Agent, or Firm* — Leong C. Lei

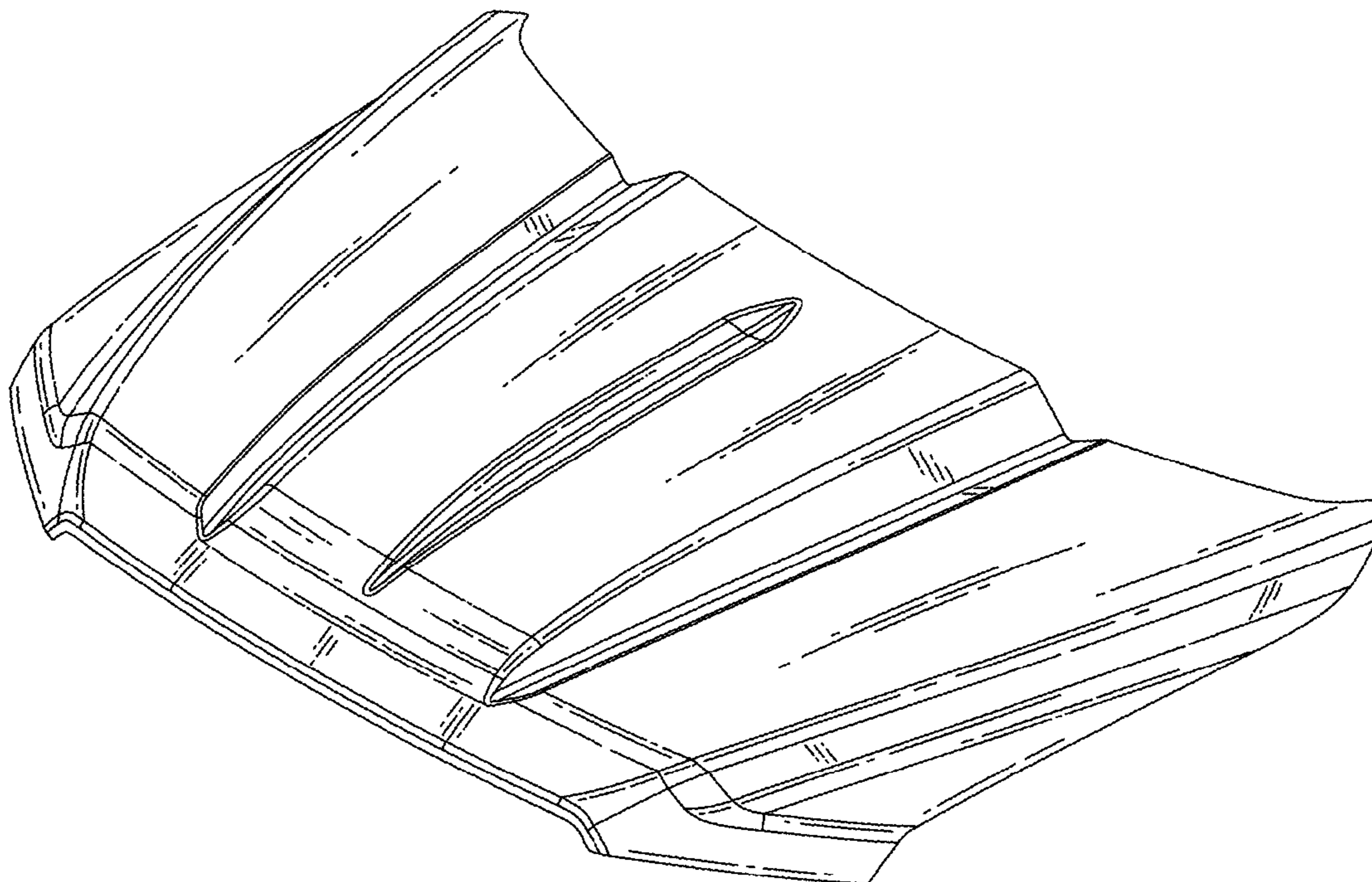
(57) **CLAIM**

The ornamental design for a vehicle hood cover, as shown and described.

DESCRIPTION

FIG. 1 is a front perspective view of a vehicle hood cover showing my new design;
FIG. 2 is a front elevational view thereof;
FIG. 3 is a rear elevational view thereof;
FIG. 4 is a left elevational view thereof;
FIG. 5 is a right elevational view thereof;
FIG. 6 is a top plan view thereof; and,
FIG. 7 is a bottom plan view thereof.

1 Claim, 5 Drawing Sheets



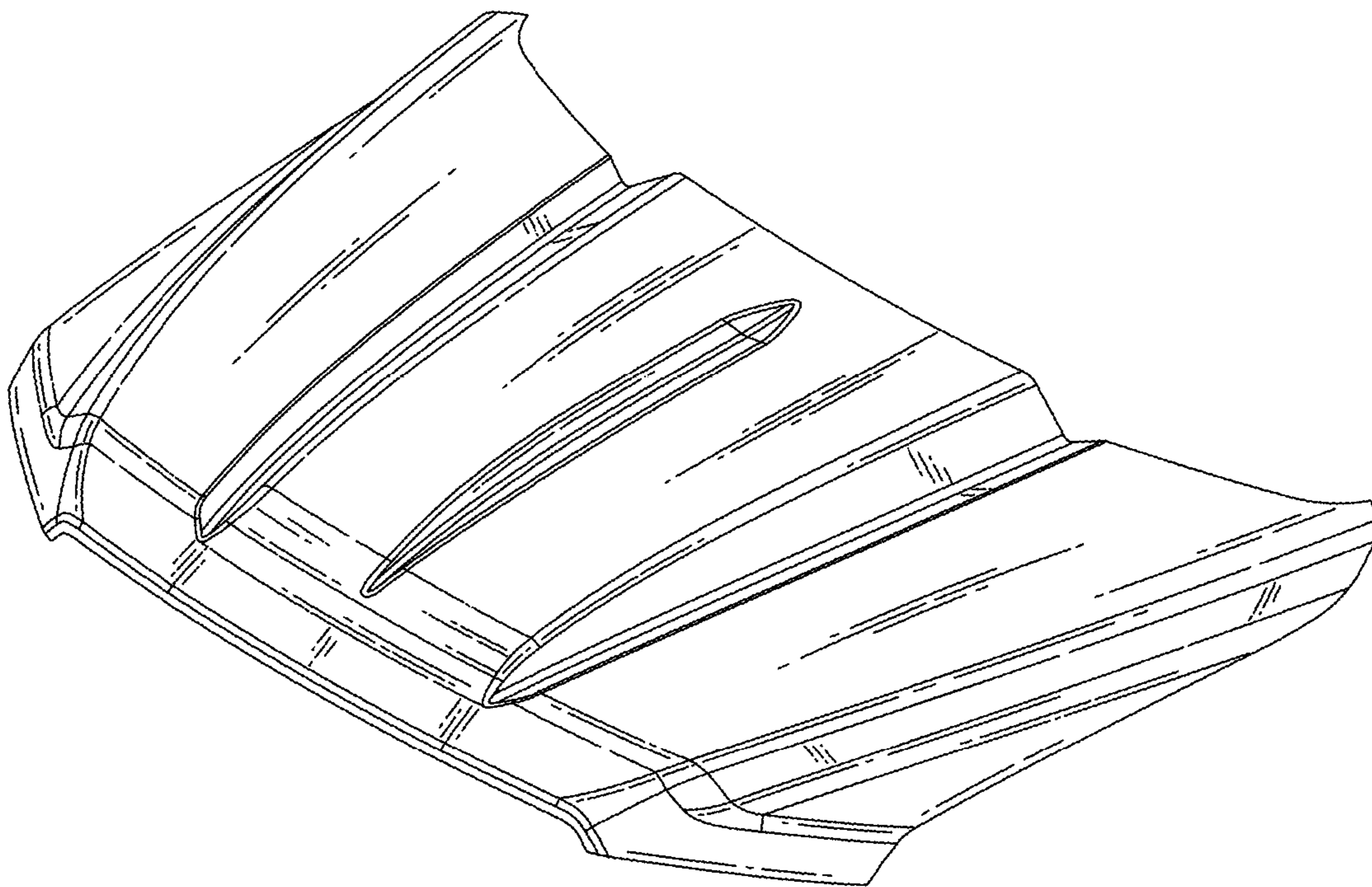


FIG. 1

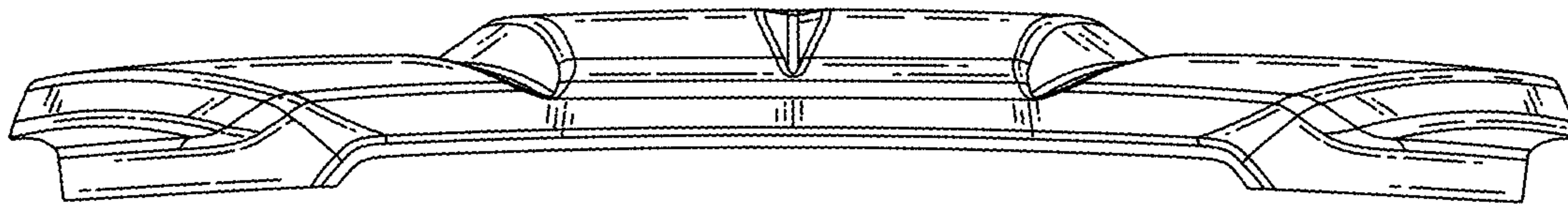


FIG. 2

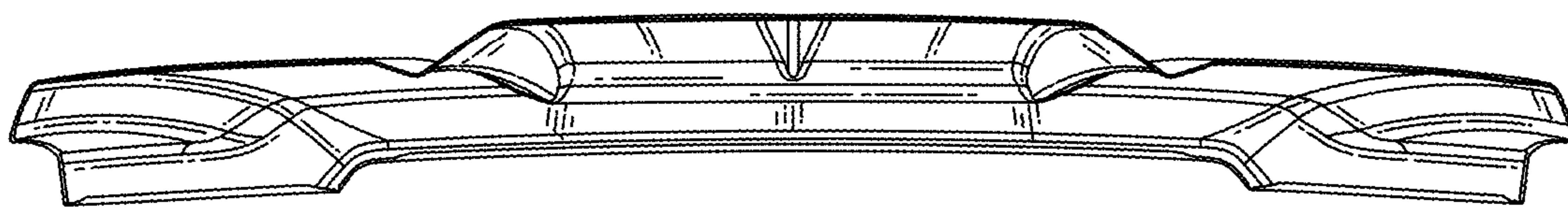


FIG. 3

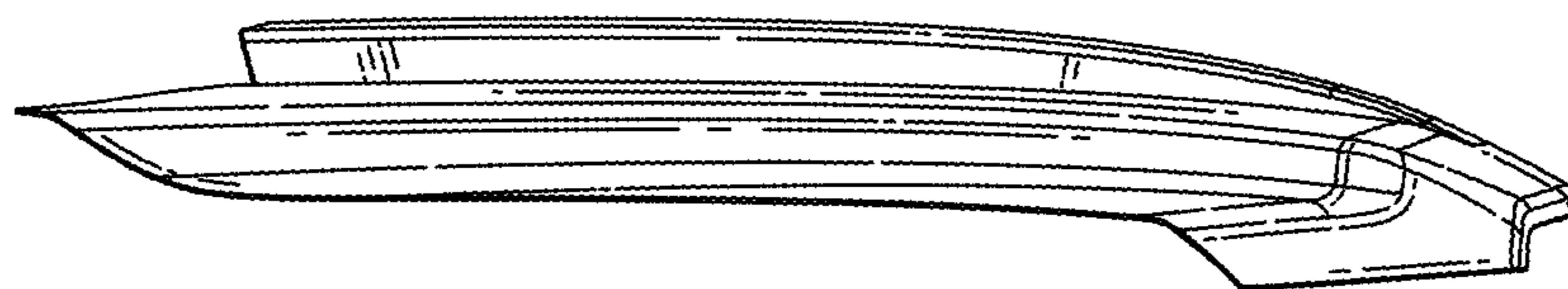


FIG. 4

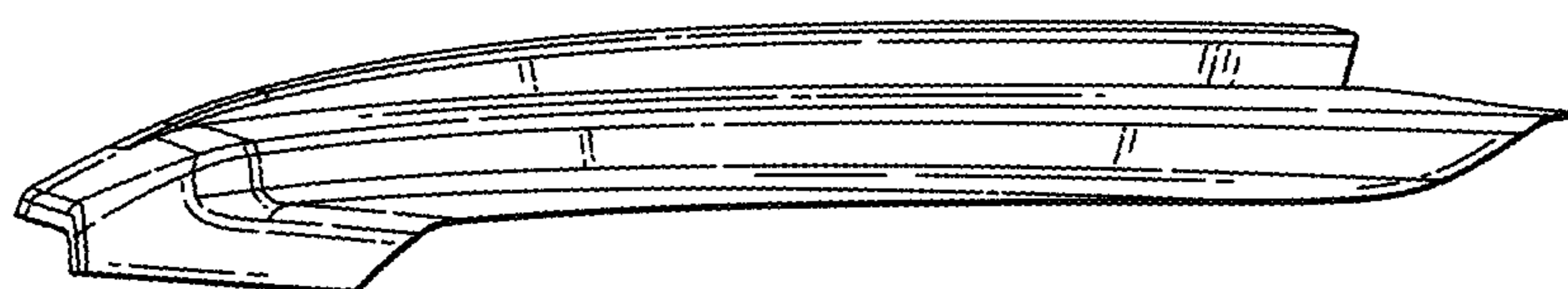


FIG. 5

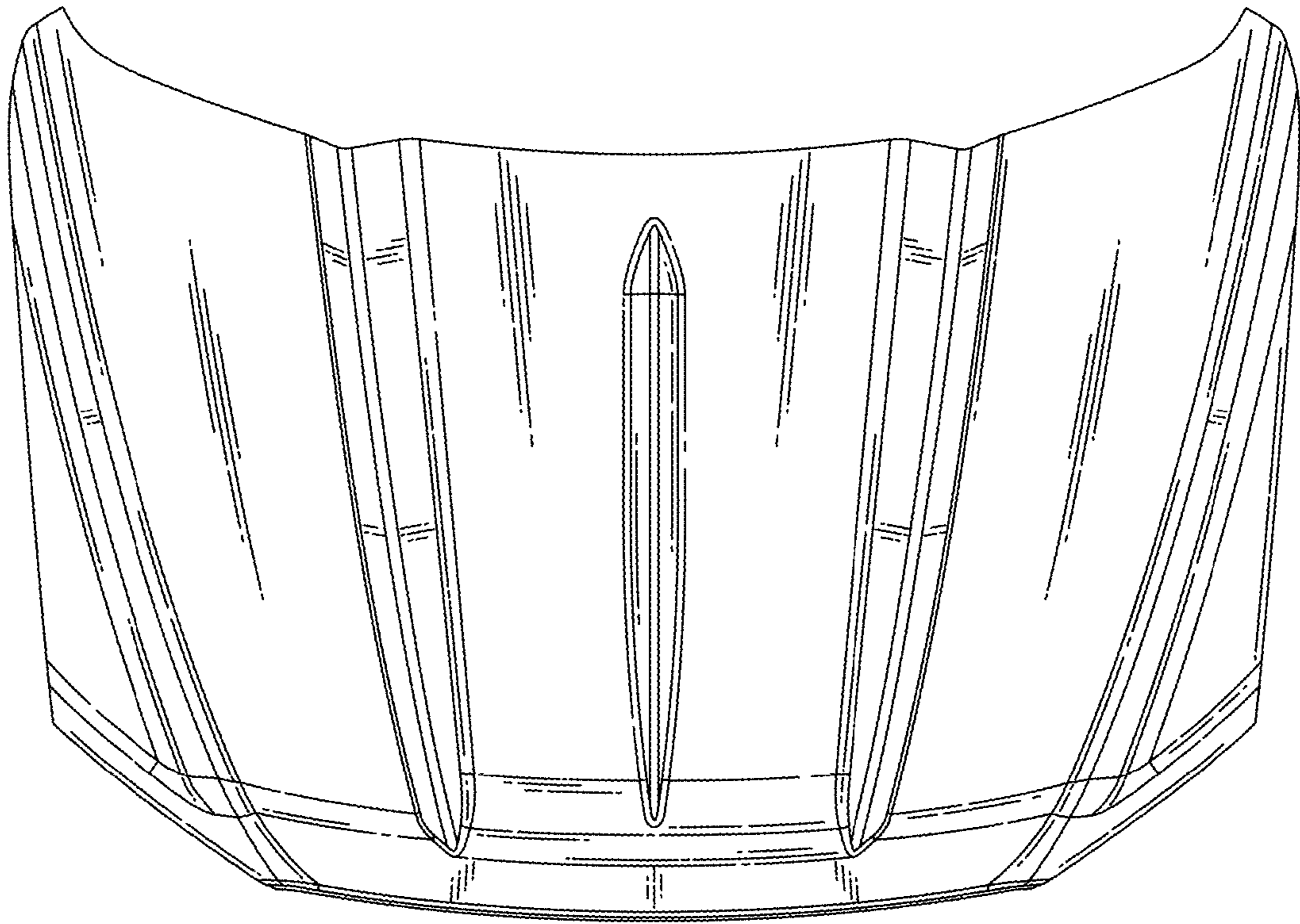


FIG. 6

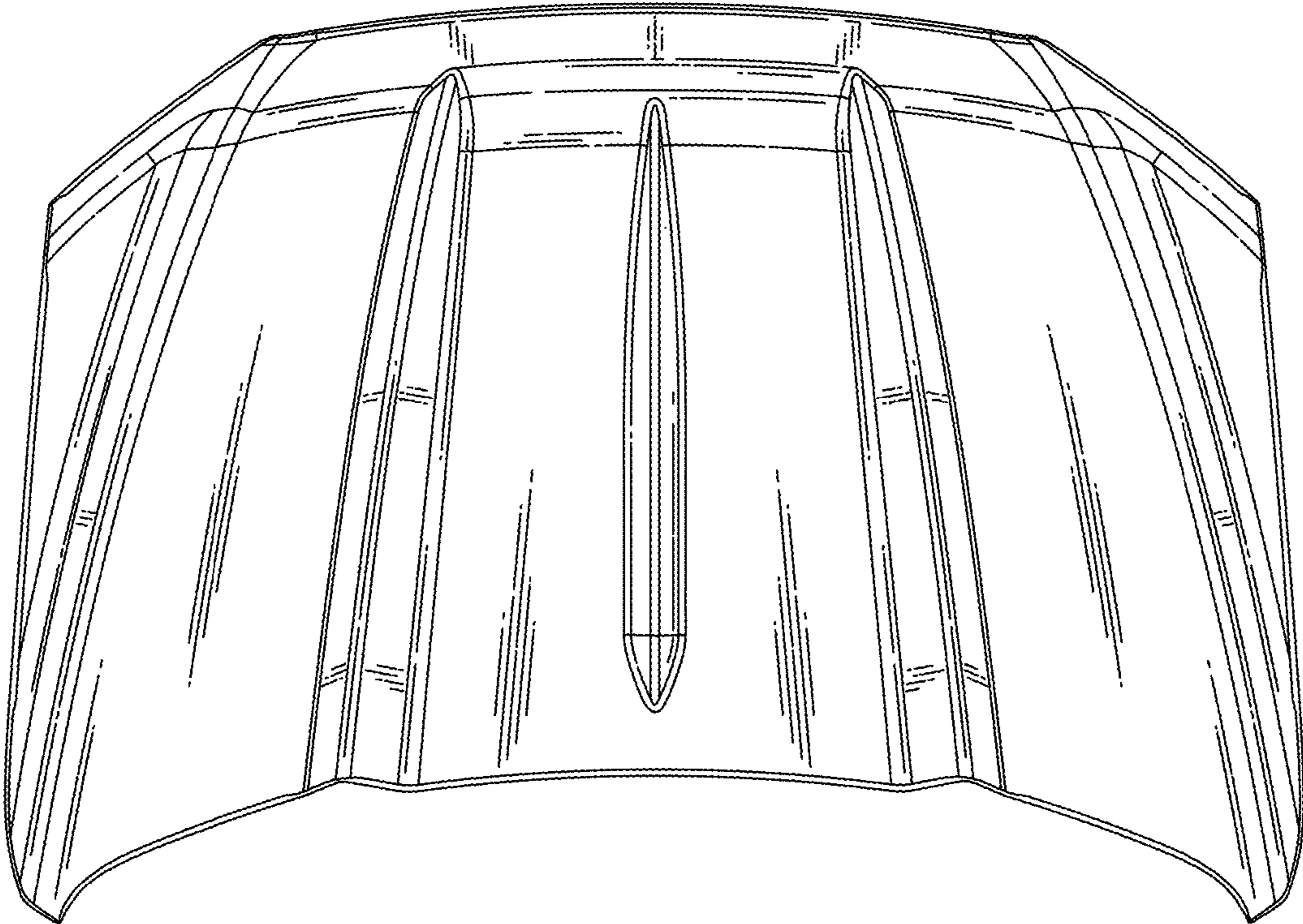


FIG. 7