



US00D772766S

(12) **United States Design Patent** (10) **Patent No.:** **US D772,766 S**
Kozub et al. (45) **Date of Patent:** **** Nov. 29, 2016**

(54) **VEHICLE FRONT FASCIA**
(71) Applicant: **GM GLOBAL TECHNOLOGY OPERATIONS LLC**, Detroit, MI (US)
(72) Inventors: **Timothy P. Kozub**, Troy, MI (US); **Evan Mai**, Ypsilanti, MI (US); **Gary W. Ruiz**, Royal Oak, MI (US)
(73) Assignee: **GM Global Technology Operations LLC**, Detroit, MI (US)

D601,925 S 10/2009 O'Donnell
D603,755 S 11/2009 Peters
D604,203 S 11/2009 O'Donnell
D605,082 S 12/2009 Munson
D605,083 S 12/2009 Manoogian, II et al.
D605,977 S 12/2009 Zipfel et al.
D605,978 S 12/2009 Wolff et al.
D608,249 S 1/2010 Peters
D608,690 S 1/2010 Folden et al.
D608,691 S 1/2010 Zak, Jr. et al.
D609,608 S 2/2010 Boniface et al.
D611,387 S 3/2010 Thompson et al.
D611,879 S 3/2010 Kim et al.

(Continued)

(**) Term: **15 Years**

(21) Appl. No.: **29/535,401**

(22) Filed: **Aug. 6, 2015**

(51) **LOC (10) Cl.** **12-08**

(52) **U.S. Cl.**
USPC **D12/169**

(58) **Field of Classification Search**
USPC D12/92, 163-172; 293/102-155;
296/35.2, 193.09, 193.1, 203.02
CPC B60R 19/02; B60R 19/023; B60R 19/18;
B60R 19/24; B60R 19/44; B60R 19/48;
B60R 19/56; B60R 2019/527; B60R
2019/1886

See application file for complete search history.

(56) **References Cited**

U.S. PATENT DOCUMENTS

D492,227 S * 6/2004 Suzuki D12/169
D493,126 S * 7/2004 Suzuki D12/169
6,886,872 B2 * 5/2005 Matsumoto B60R 19/12
293/115
D570,737 S * 6/2008 Dean D12/92
D570,742 S 6/2008 Takagi et al.
D578,452 S * 10/2008 Tabata D12/169
D588,053 S * 3/2009 Woolley D12/169
D592,105 S 5/2009 Dean et al.
D597,447 S 8/2009 Folden
D600,595 S 9/2009 Nakamura et al.

OTHER PUBLICATIONS

Stewart, Megan. "Refreshing or Revolting: 2016 Chevrolet Volt." Motortrend.com. May 15, 2015. Accessed Jul. 6, 2016. Available online at URL: <<http://www.motortrend.com/news/refreshing-or-revolting-2016-chevrolet-volt/>>.*

(Continued)

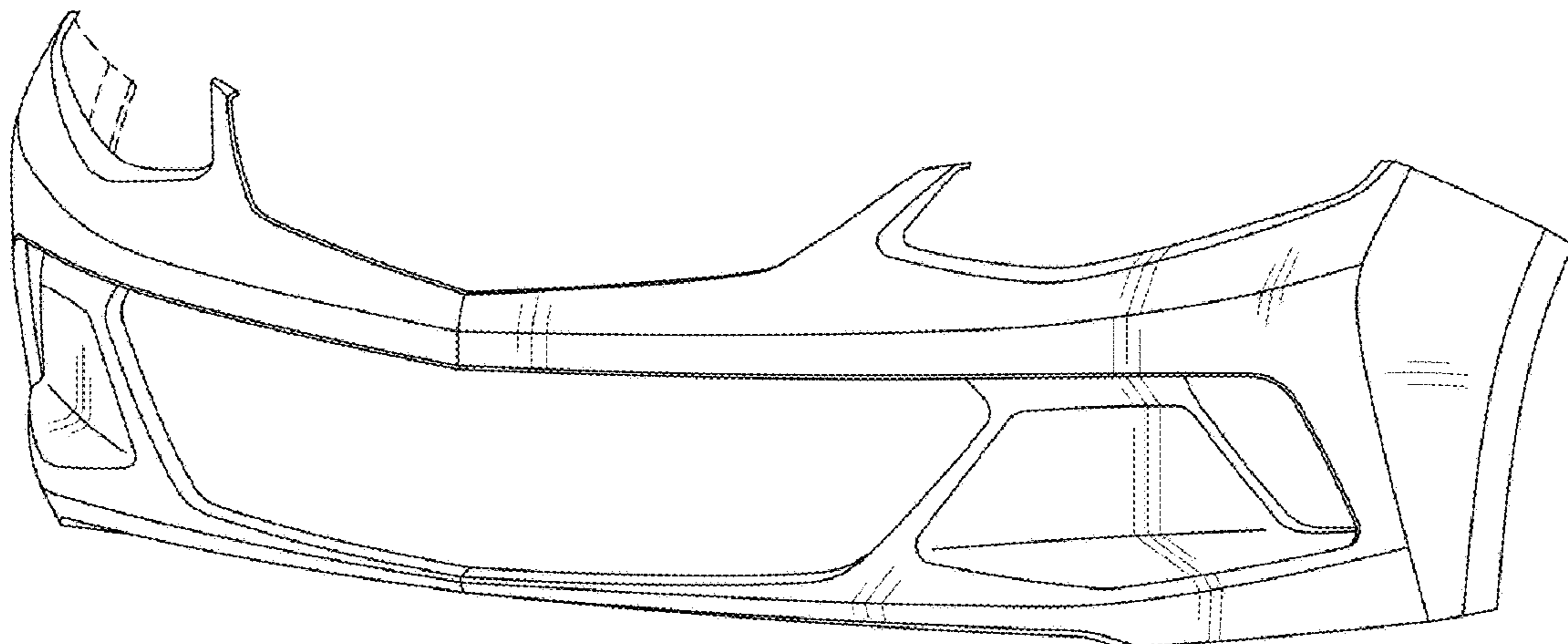
Primary Examiner — Cathron Brooks
Assistant Examiner — Christian P McLean
(74) *Attorney, Agent, or Firm* — Reising Ethington P.C.

(57) **CLAIM**
The ornamental design for a vehicle front fascia, as shown and described.

DESCRIPTION

FIG. 1 is a perspective view of the vehicle front fascia; FIG. 2 is a left side elevation view thereof; FIG. 3 is a top plan view thereof; and, FIG. 4 is a front view thereof. The right side elevation view of the vehicle front fascia is omitted because the right side elevation view is identical to the left side elevation view. And the broken lines shown in the drawings depict portions of the vehicle front fascia that form no part of the claimed design.

1 Claim, 1 Drawing Sheet



(56)

References Cited

U.S. PATENT DOCUMENTS

D612,297 S 3/2010 Peters et al.
 D613,645 S 4/2010 Song et al.
 D615,458 S 5/2010 Thompson et al.
 D618,595 S 6/2010 Ware et al.
 D623,090 S 9/2010 Cox et al.
 D627,262 S 11/2010 Ikeda et al.
 D635,488 S 4/2011 Phipps
 D644,147 S 8/2011 Suh et al.
 D644,567 S 9/2011 Kozub
 D647,440 S * 10/2011 Murakawa D12/169
 D657,718 S 4/2012 Zipfel et al.
 D659,052 S 5/2012 Ware et al.
 D659,053 S 5/2012 Ware et al.
 D664,902 S * 8/2012 Platto D12/169
 D668,182 S 10/2012 Franco
 D668,183 S 10/2012 Smart
 D678,820 S 3/2013 Son et al.
 D678,821 S 3/2013 Ikeda et al.
 D680,040 S * 4/2013 Frei D12/169
 D680,909 S 4/2013 Munson et al.
 D680,910 S 4/2013 David
 D684,099 S * 6/2013 McCabe D12/169
 D684,899 S 6/2013 Baker
 D686,118 S * 7/2013 Thurber D12/169
 D686,119 S * 7/2013 Futschik D12/169
 D686,536 S 7/2013 McCabe et al.
 D691,526 S * 10/2013 Uchino D12/169
 8,567,854 B2 * 10/2013 Nishi B60Q 1/0491
 293/132
 D692,798 S 11/2013 Thurber
 D692,799 S 11/2013 Smith et al.
 D696,157 S 12/2013 Loeb
 D699,629 S 2/2014 Ikeda et al.
 D700,871 S 3/2014 O'Donnell et al.
 D703,103 S 4/2014 Lee

D704,103 S 5/2014 Mack et al.
 D705,132 S 5/2014 Ware et al.
 D705,699 S 5/2014 Ware et al.
 D713,298 S 9/2014 Dyson
 D713,764 S 9/2014 Ferlazzo
 D716,696 S 11/2014 Thole et al.
 D716,706 S 11/2014 Thole et al.
 D716,709 S 11/2014 Thole et al.
 D717,696 S 11/2014 Thole et al.
 D718,189 S 11/2014 Krieg et al.
 D718,683 S 12/2014 Thole et al.
 D722,282 S 2/2015 Loeb
 D722,533 S 2/2015 Thole et al.
 D722,534 S 2/2015 Munson et al.
 D724,510 S 3/2015 McMahan et al.
 D725,001 S 3/2015 McMahan et al.
 D730,776 S 6/2015 Smart
 D730,783 S 6/2015 Henriques et al.
 D732,435 S 6/2015 Mackay
 D735,627 S 8/2015 Smith
 D736,451 S 8/2015 Smith
 D749,985 S * 2/2016 Kozub D12/92
 2016/0144900 A1 * 5/2016 Fortin B60R 19/023
 296/193.1

OTHER PUBLICATIONS

Panait, Mircea. "2016 Chevrolet Volt Previewed at CES, Front Looks Like a Dog's Breakfast." autoevolution.com. Jan. 5, 2015. Accessed Jul. 6, 2016. Available online at URL: <<http://www.autoevolution.com/news/2016-chevrolet-volt-previewed-at-ces-front-looks-like-a-dogs-breakfast-photo-gallery-90670.html>>.*
 "2016 Volt Electric Hybrid Cars: The Next Step in Electric Evolution—#NextGenVolt :60 | Chevrolet." YouTube.com. 0:56. Published Jan. 11, 2015. Accessed Jul. 6, 2016. Available online at URL: <<https://www.youtube.com/watch?v=liM5bOl4Gtl>>.*

* cited by examiner

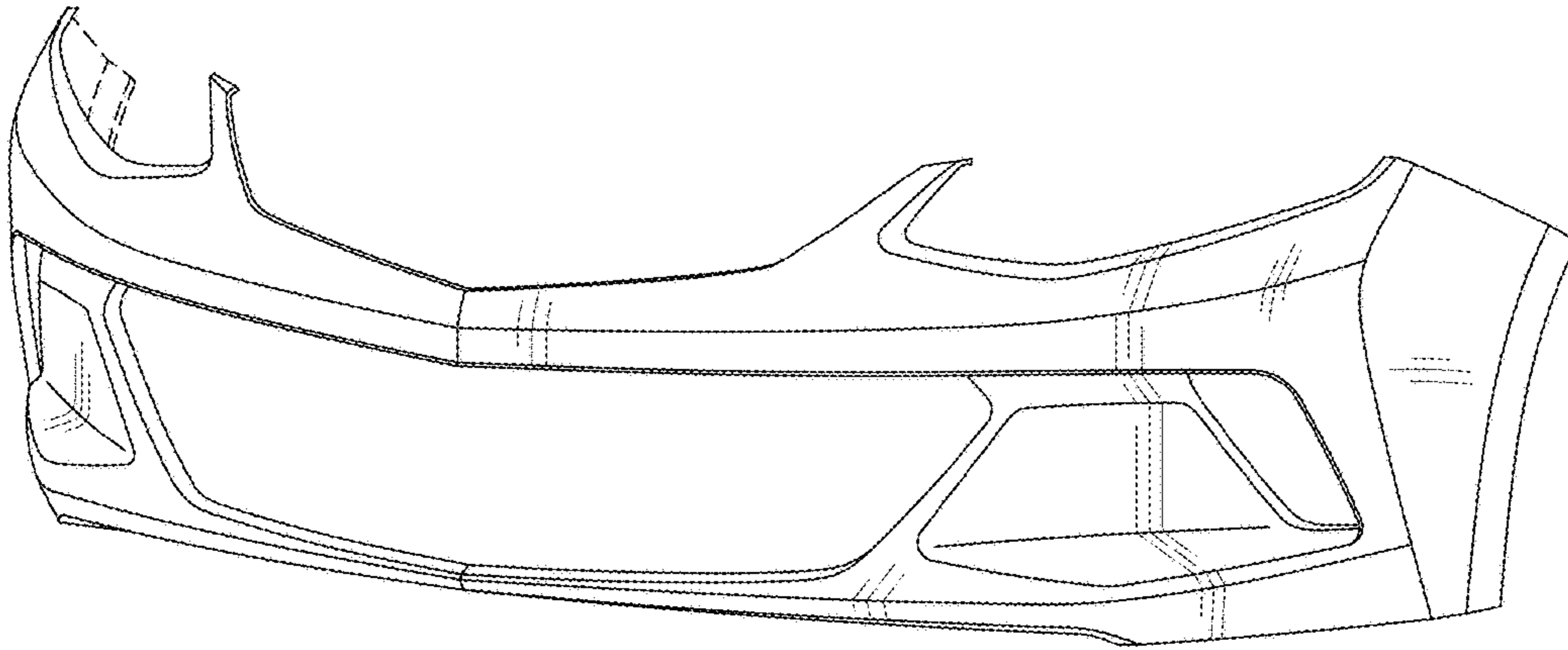


Fig. 1

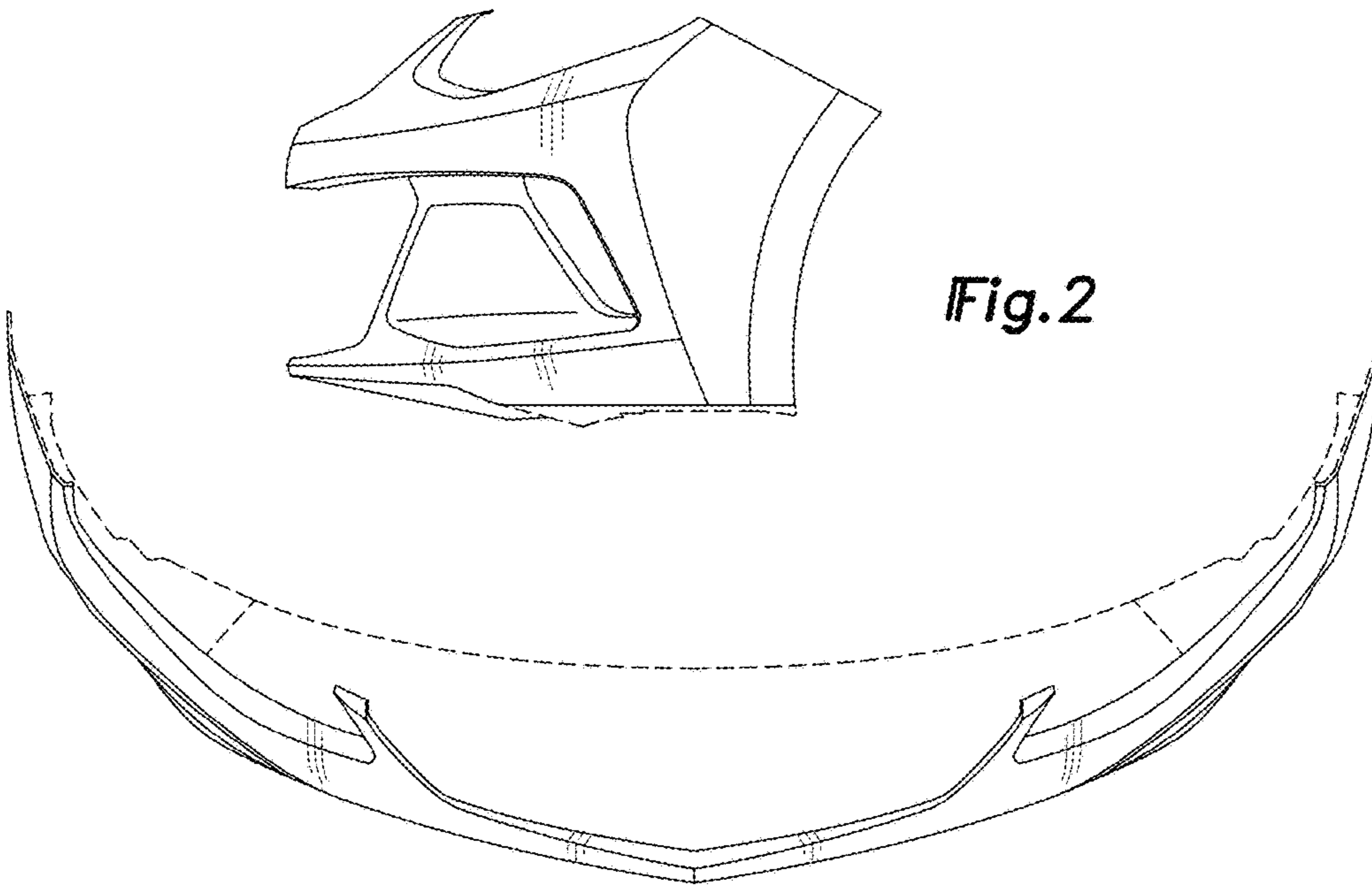


Fig. 2

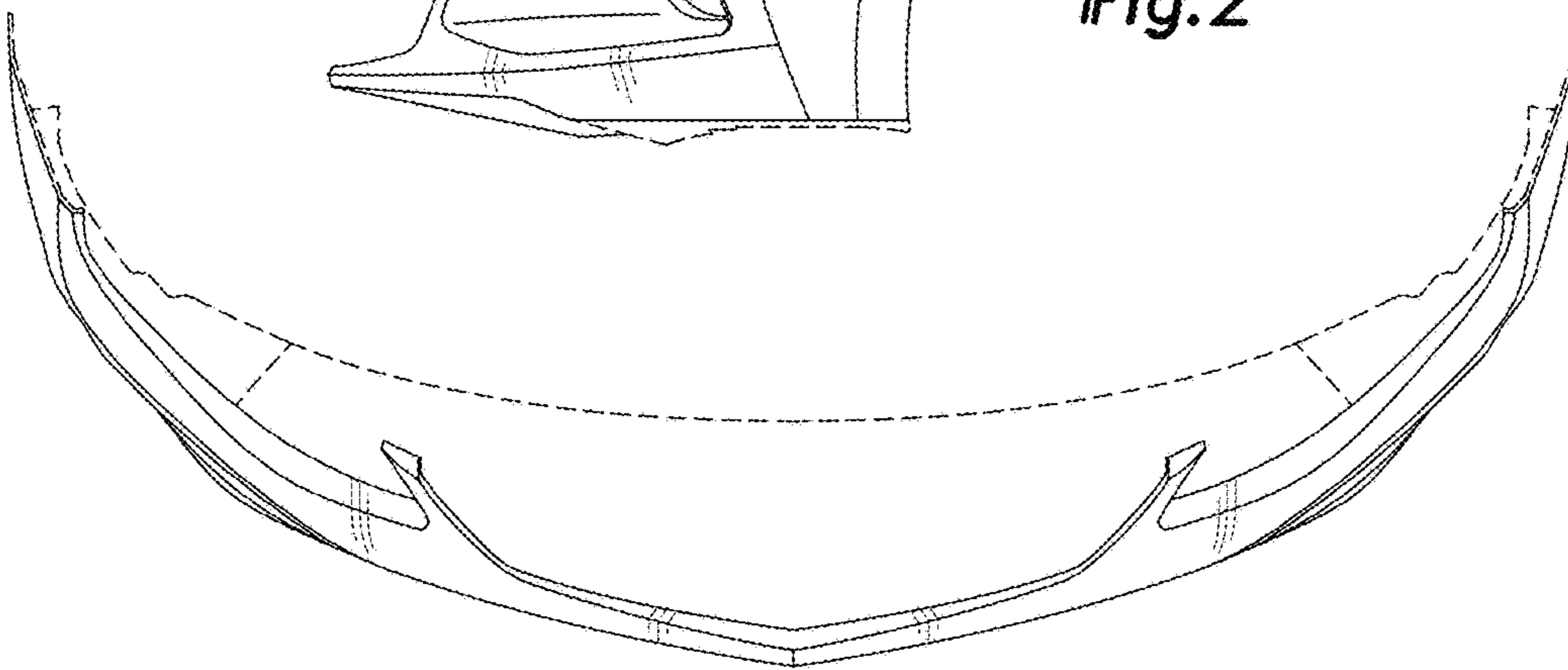


Fig. 3

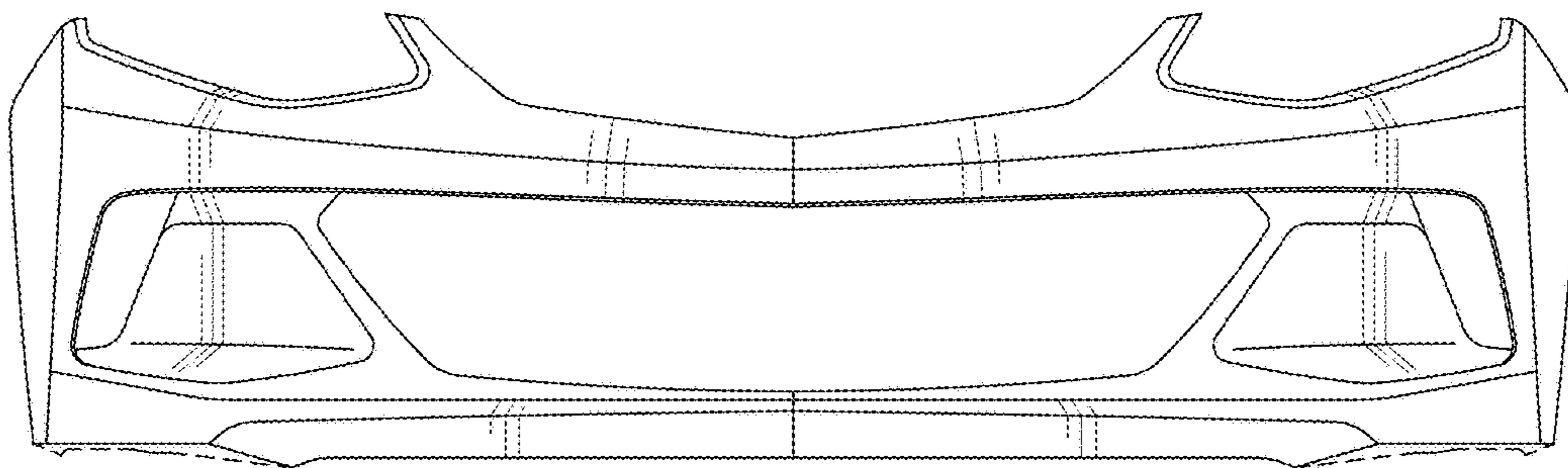


Fig. 4