



US00D772764S

(12) **United States Design Patent**
Thurber et al.

(10) **Patent No.:** **US D772,764 S**

(45) **Date of Patent:** **** Nov. 29, 2016**

(54) **HITCH-N-GO SYSTEM**

(71) Applicants: **Timothy Thurber**, Alabaster, AL (US);
Christopher Michael Schwab,
Alabaster, AL (US)

(72) Inventors: **Timothy Thurber**, Alabaster, AL (US);
Christopher Michael Schwab,
Alabaster, AL (US)

(73) Assignee: **Timothy J Thurber**, Alabaster, AL
(US)

(**) Term: **15 Years**

(21) Appl. No.: **29/505,502**

(22) Filed: **Nov. 27, 2015**

(51) **LOC (10) Cl.** **12-16**

(52) **U.S. Cl.**
USPC **D12/162**

(58) **Field of Classification Search**
USPC D12/162, 159, 160, 161
CPC B60D 1/60; B60D 1/065; B60D 1/00;
B60D 1/06
See application file for complete search history.

(56) **References Cited**

U.S. PATENT DOCUMENTS

6,846,017 B2 * 1/2005 Martin B60R 9/06
224/524
7,905,508 B2 * 3/2011 Crawford B60D 1/00
224/519

D688,170 S * 8/2013 Woolever D12/162
D744,382 S * 12/2015 Woller D12/162
D751,952 S * 3/2016 Rackleff D12/162
2004/0173654 A1 * 9/2004 McAlister B60D 1/52
224/519
2006/0118586 A1 * 6/2006 Heravi B60R 9/0426
224/519
2009/0146394 A1 * 6/2009 Seivert B60R 9/06
280/504
2010/0066069 A1 * 3/2010 Bradshaw B60R 9/06
280/769

* cited by examiner

Primary Examiner — Katrina A Betton

(57) **CLAIM**

We claim the ornamental design for “hitch-n-go system,” as shown and described.

DESCRIPTION

FIG. 1: is the right side elevation on side elevation view of the hitch-n-go system;
FIG. 2: is the front elevation and front elevation view thereof;
FIG. 3: is the top elevation view thereof;
FIG. 4: is the bottom elevation view thereof;
FIG. 5: is the left side elevation and side elevation view thereof; and,
FIG. 6: is the perspective elevation view thereof.

1 Claim, 6 Drawing Sheets

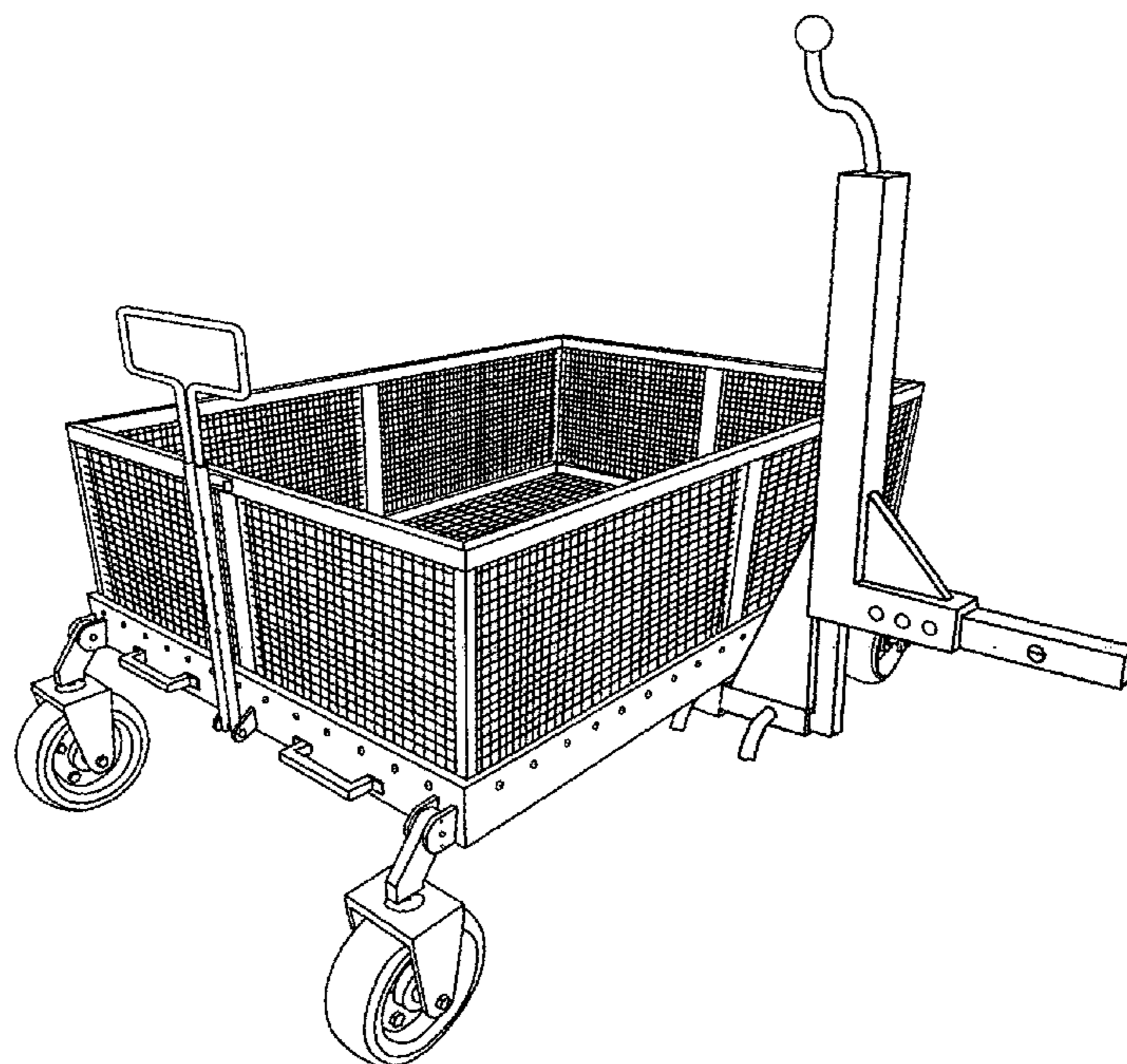


Fig. 1

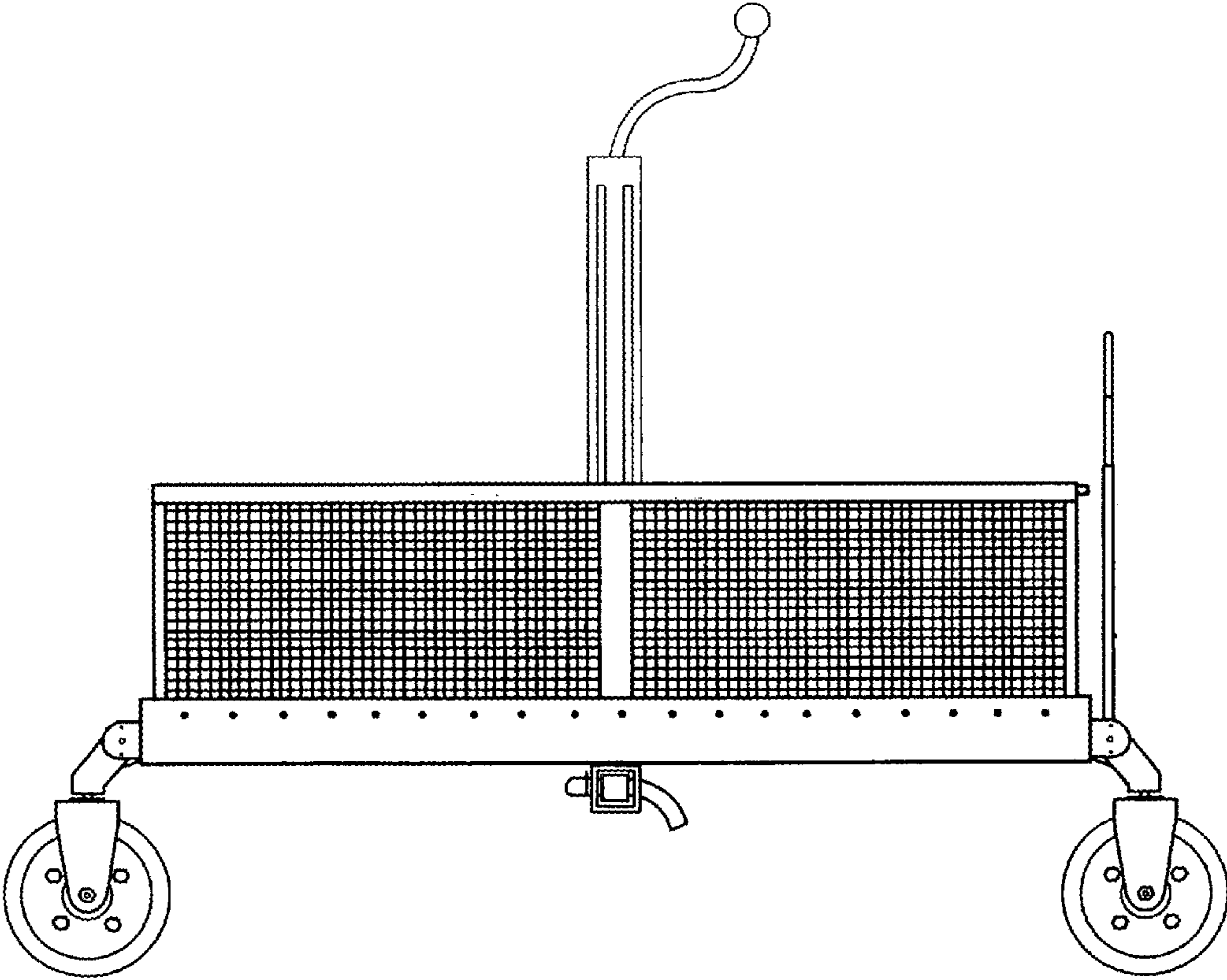


Fig. 2

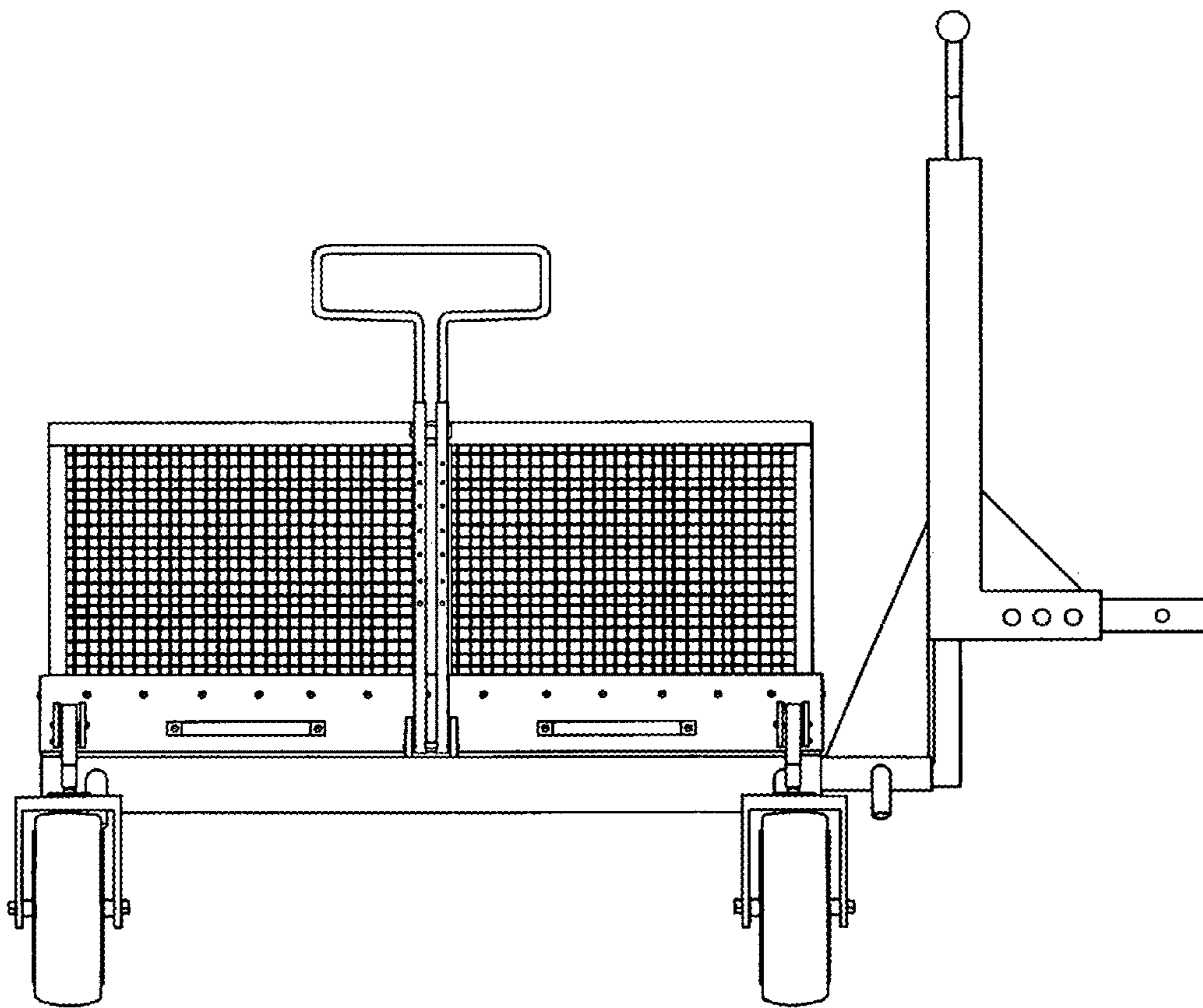


Fig. 3

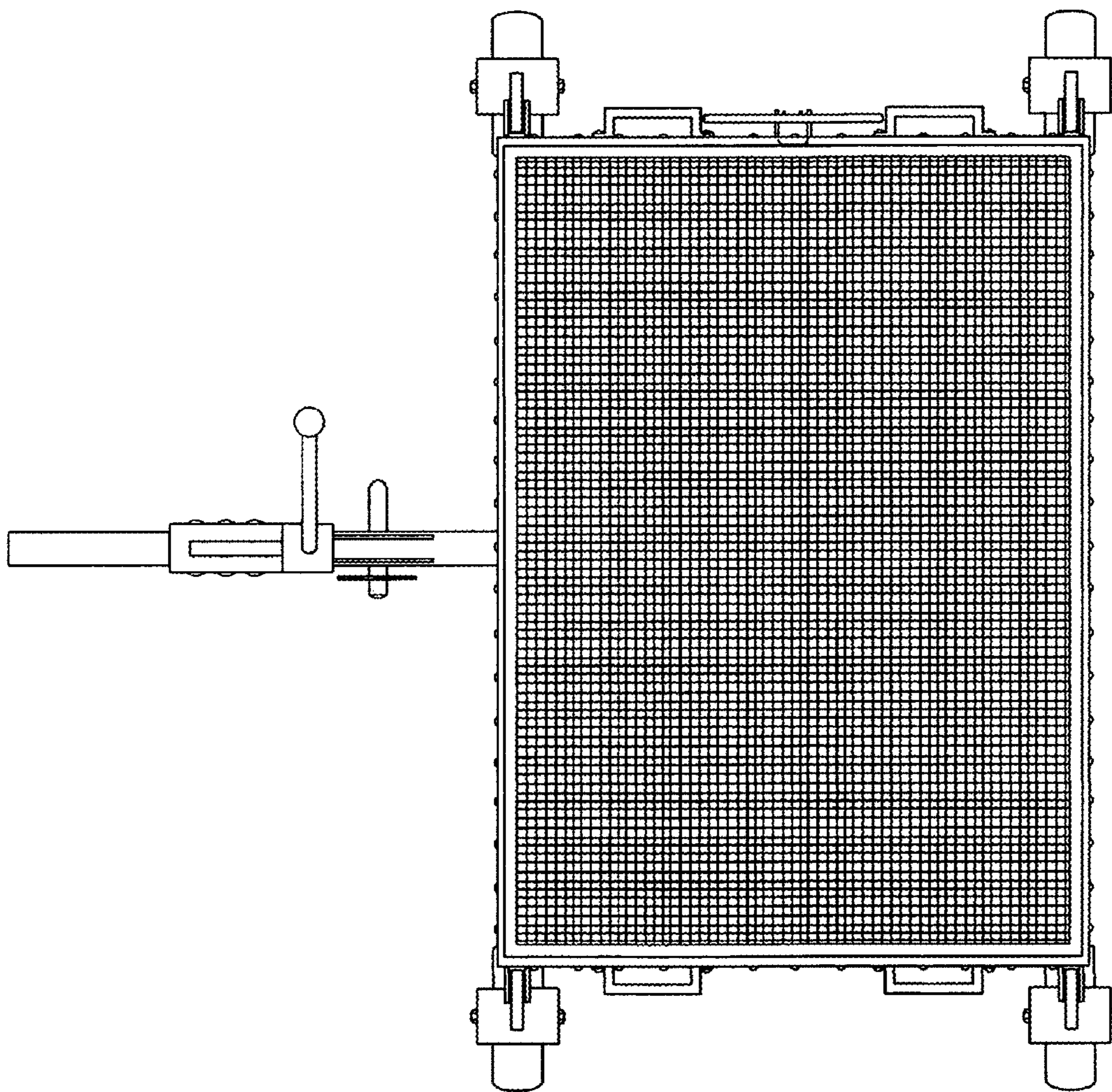


Fig. 4

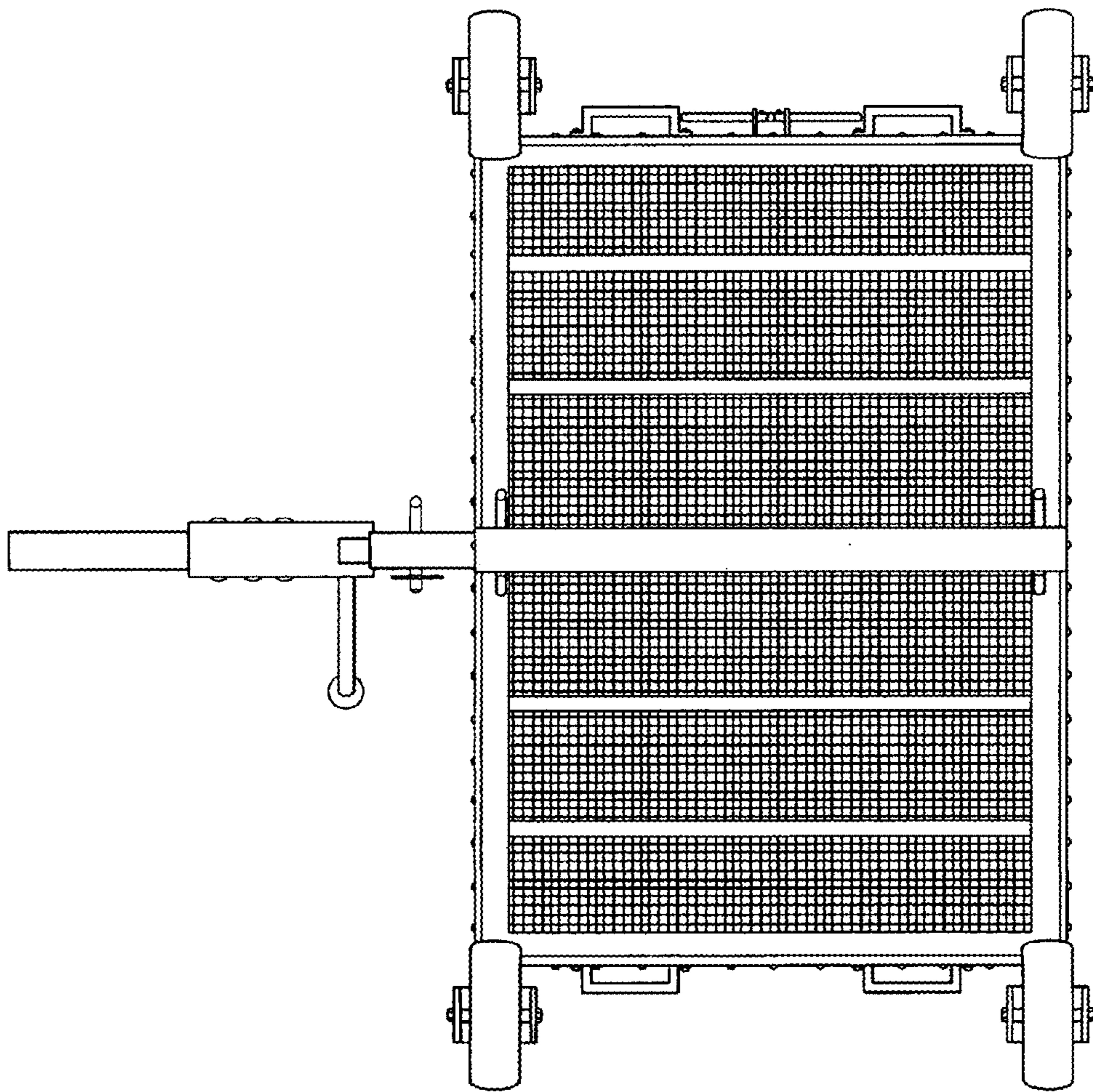


Fig. 5

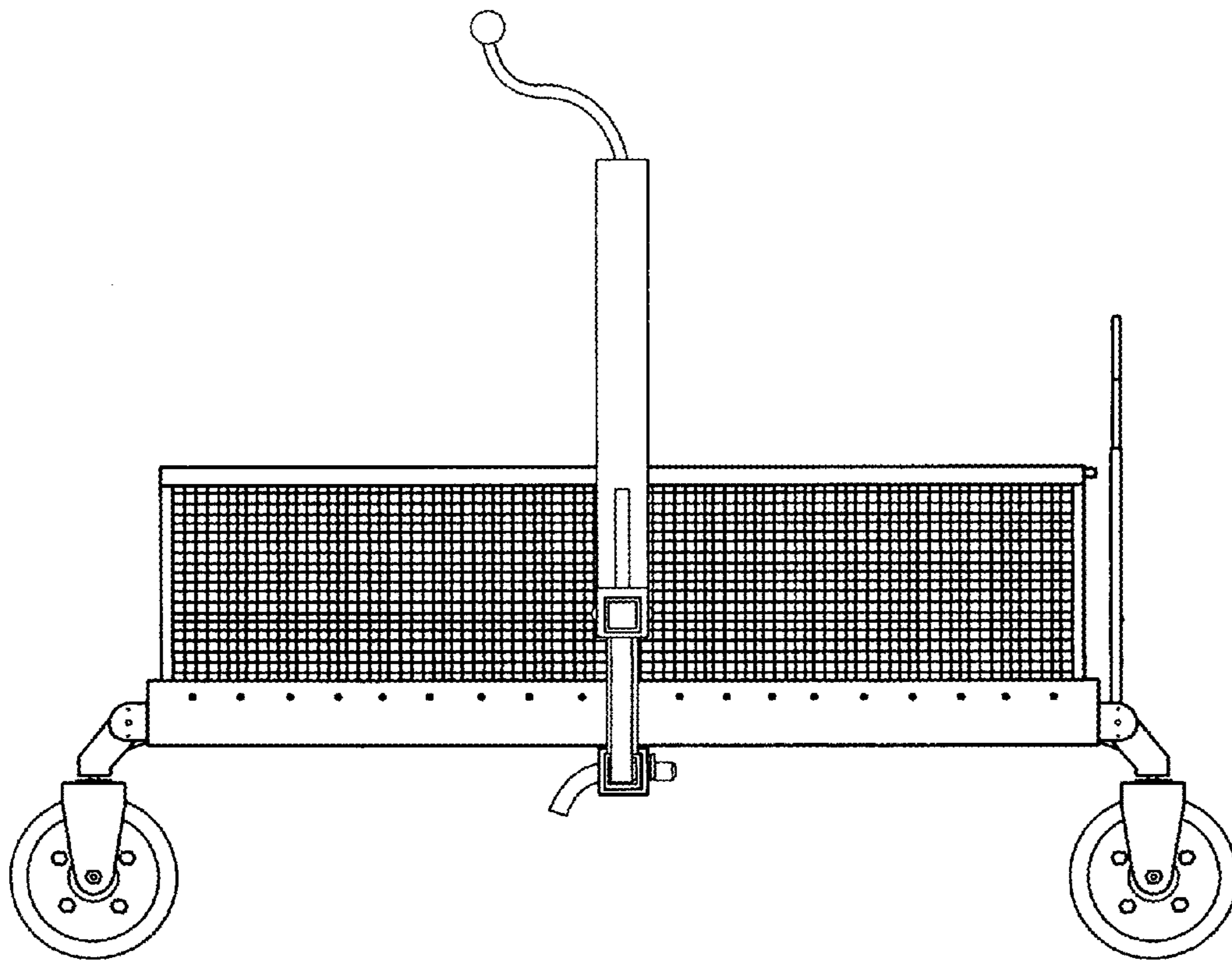


Fig. 6

