



US00D772758S

(12) **United States Design Patent** (10) **Patent No.:** **US D772,758 S**
Frascella (45) **Date of Patent:** **** Nov. 29, 2016**

(54) **VEHICLE DOOR**

(71) Applicant: **Jaguar Land Rover Limited**, Coventry (GB)

(72) Inventor: **Massimo Frascella**, Coventry (GB)

(73) Assignee: **Jaguar Land Rover Limited** (GB)

(**) Term: **14 Years**

(21) Appl. No.: **29/515,242**

(22) Filed: **Jan. 21, 2015**

(30) **Foreign Application Priority Data**

Jul. 22, 2014 (EM) 002507228

(51) **LOC (10) Cl.** **12-08**

(52) **U.S. Cl.**
USPC **D12/92**

(58) **Field of Classification Search**
USPC D12/86, 90-92, 190, 196; 296/181.1,
296/181.5

CPC B60J 5/0412; B60J 5/04
See application file for complete search history.

(56) **References Cited**

U.S. PATENT DOCUMENTS

D419,124 S *	1/2000	Sacco	D12/196
D558,112 S *	12/2007	Leclercq	D12/196
D593,918 S *	6/2009	Larson	D12/196
D699,654 S *	2/2014	Okue	D12/196
D749,481 S *	2/2016	Kim	D12/196

* cited by examiner

Primary Examiner — Melody N Brown

(74) *Attorney, Agent, or Firm* — Fishman Stewart PLLC

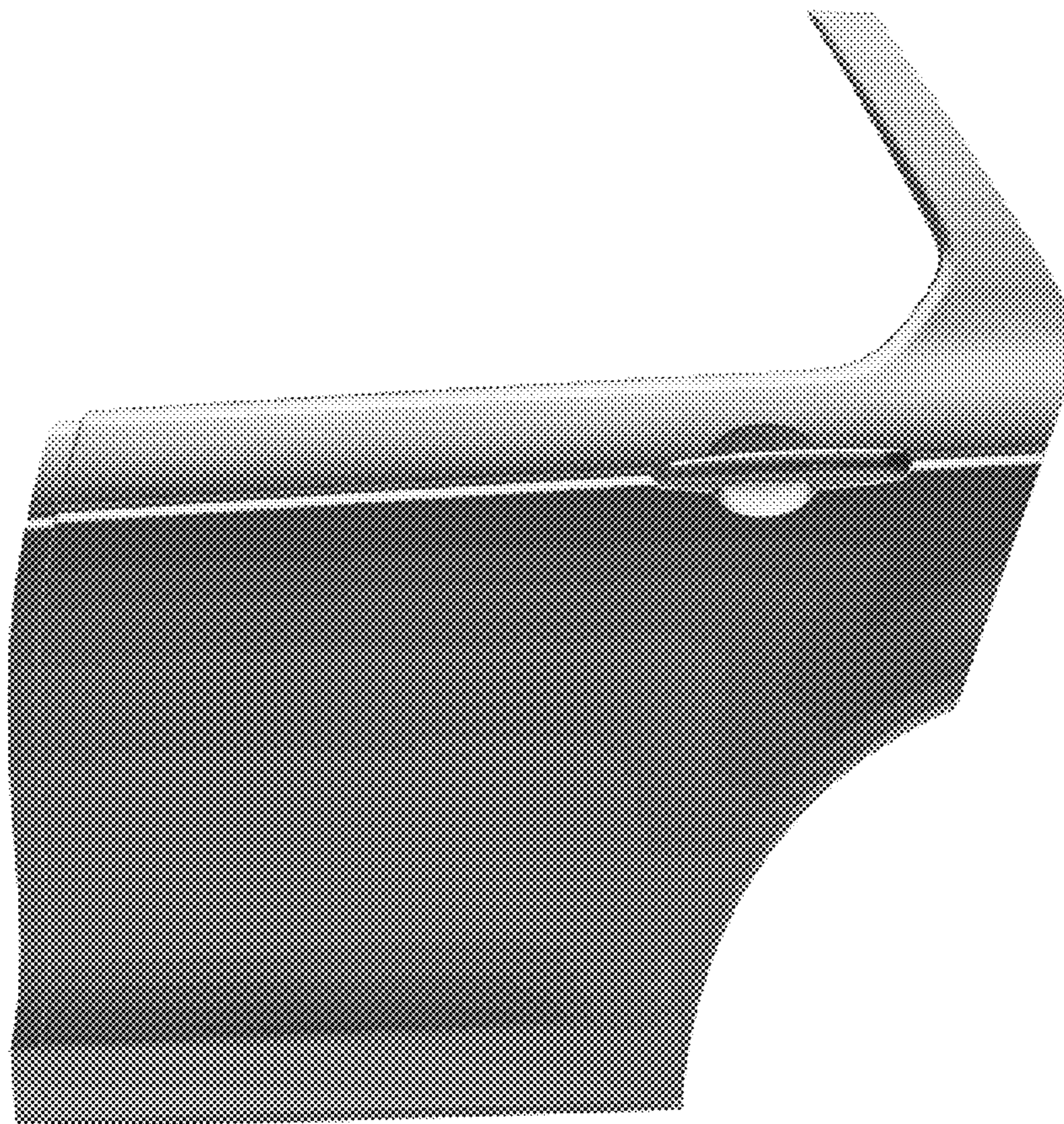
(57) **CLAIM**

The ornamental design for a vehicle door, as shown and described.

DESCRIPTION

FIG. 1 is a top perspective view of a vehicle door; FIG. 2 is a side perspective view of a vehicle door; FIG. 3 is an end elevational view of a vehicle door; FIG. 4 is an opposite end elevational view of a vehicle door; FIG. 5 is a front elevational view of a vehicle door; and, FIG. 6 is another front perspective view of a vehicle door in the installed position on a vehicle. Portions of FIG. 6 shown in diagonal lines are for illustrative purposes only and form no part of the claimed design.

1 Claim, 4 Drawing Sheets



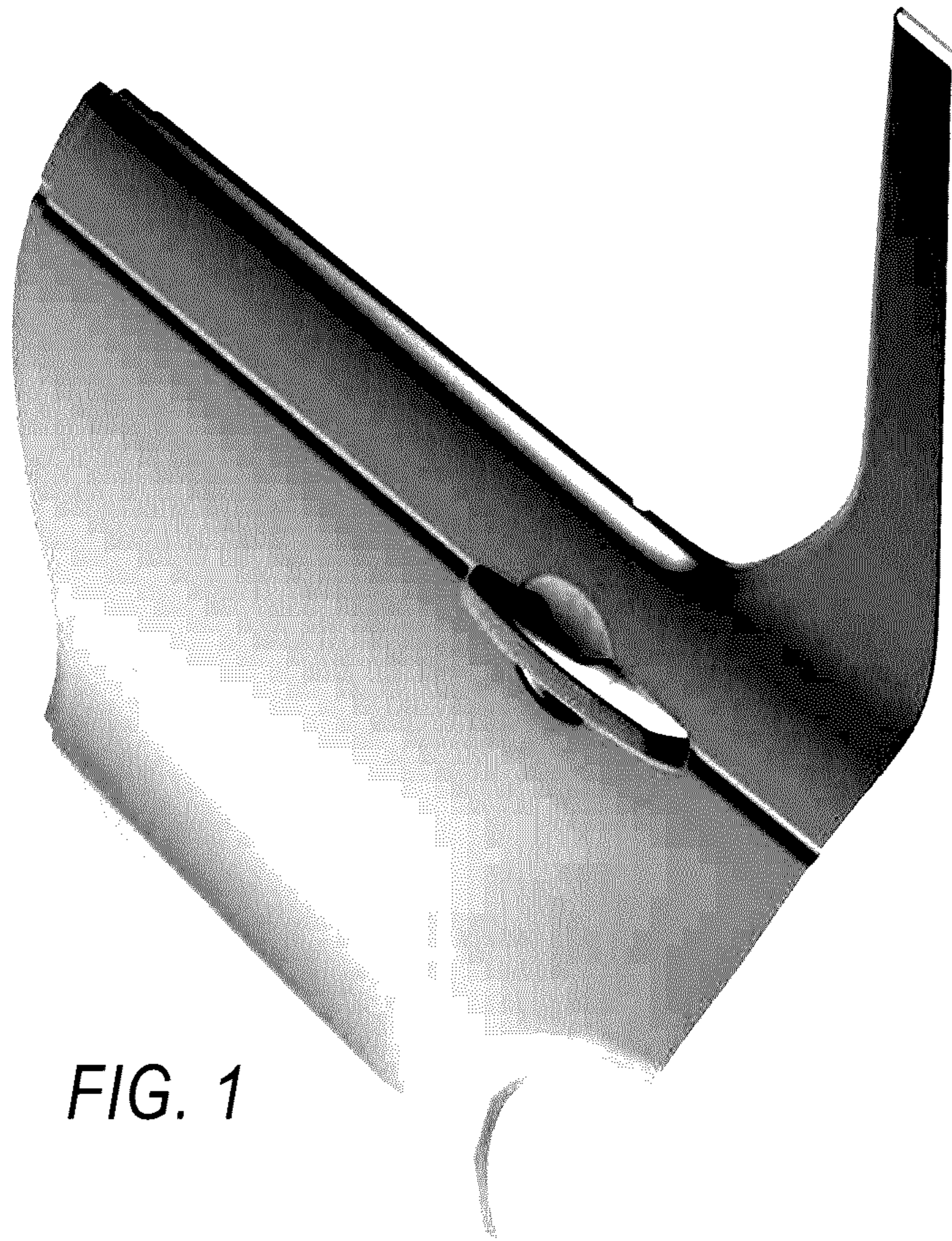


FIG. 1

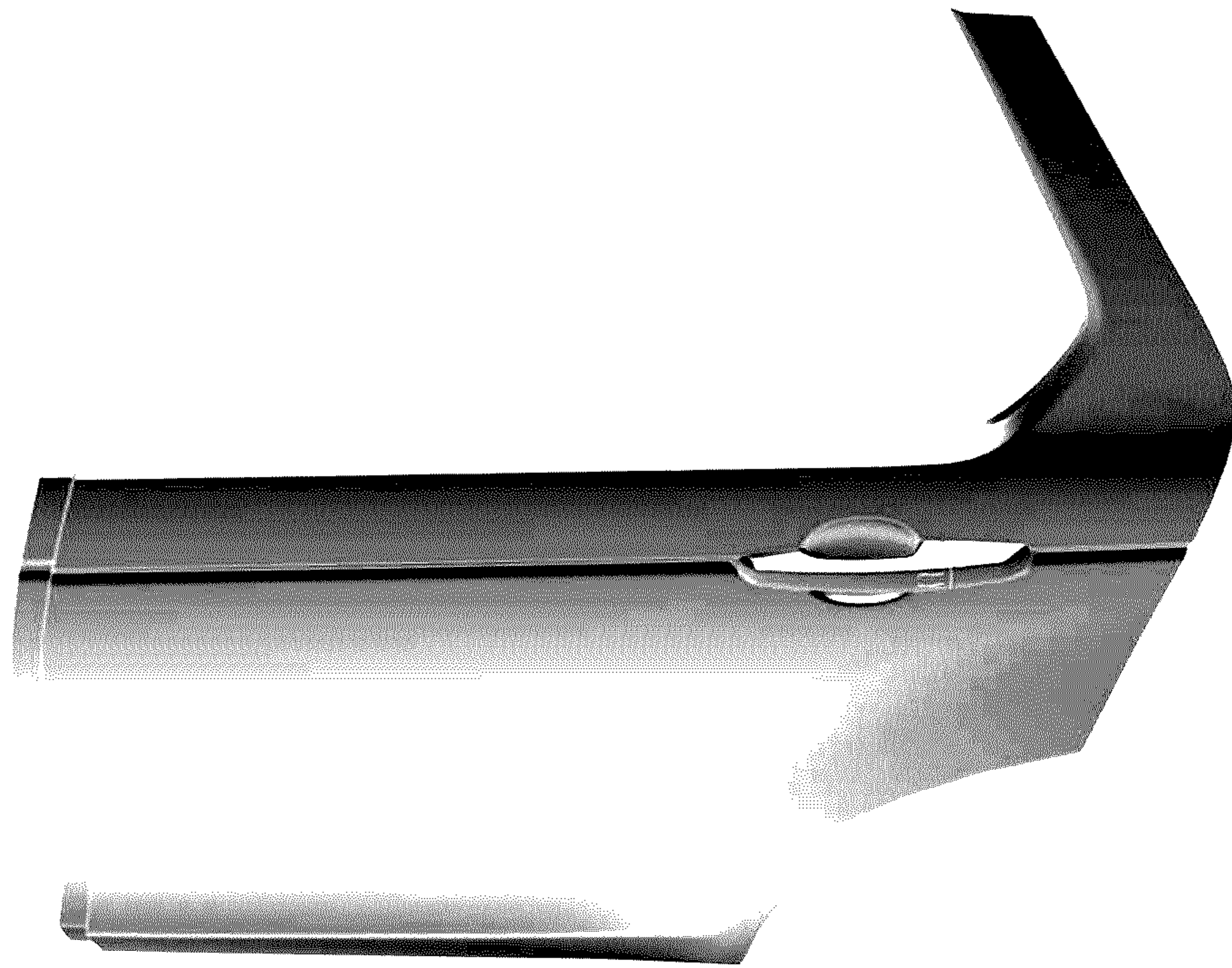


FIG. 2

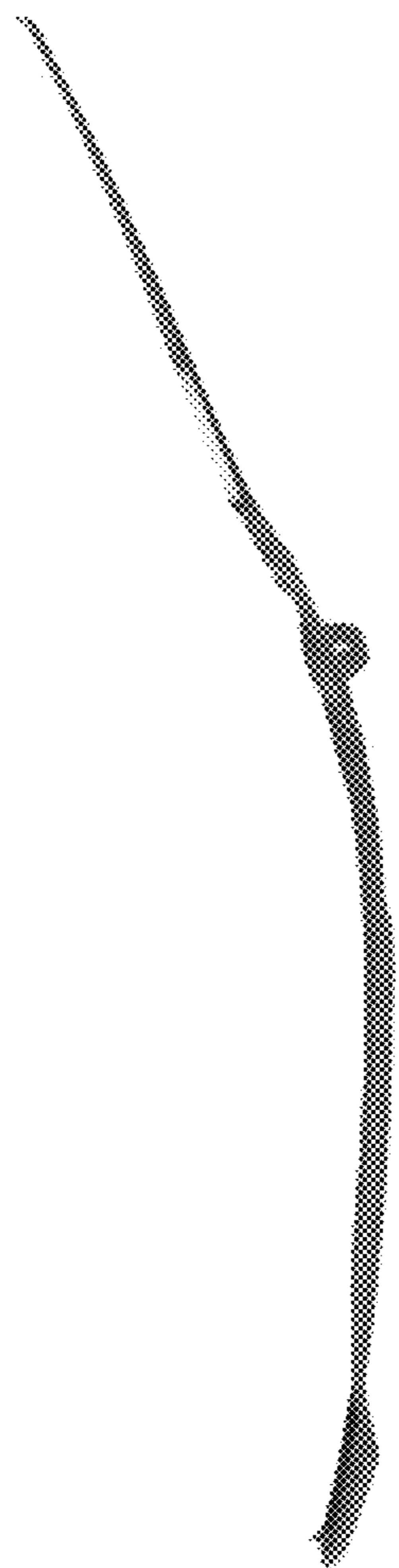


FIG. 3



FIG. 4

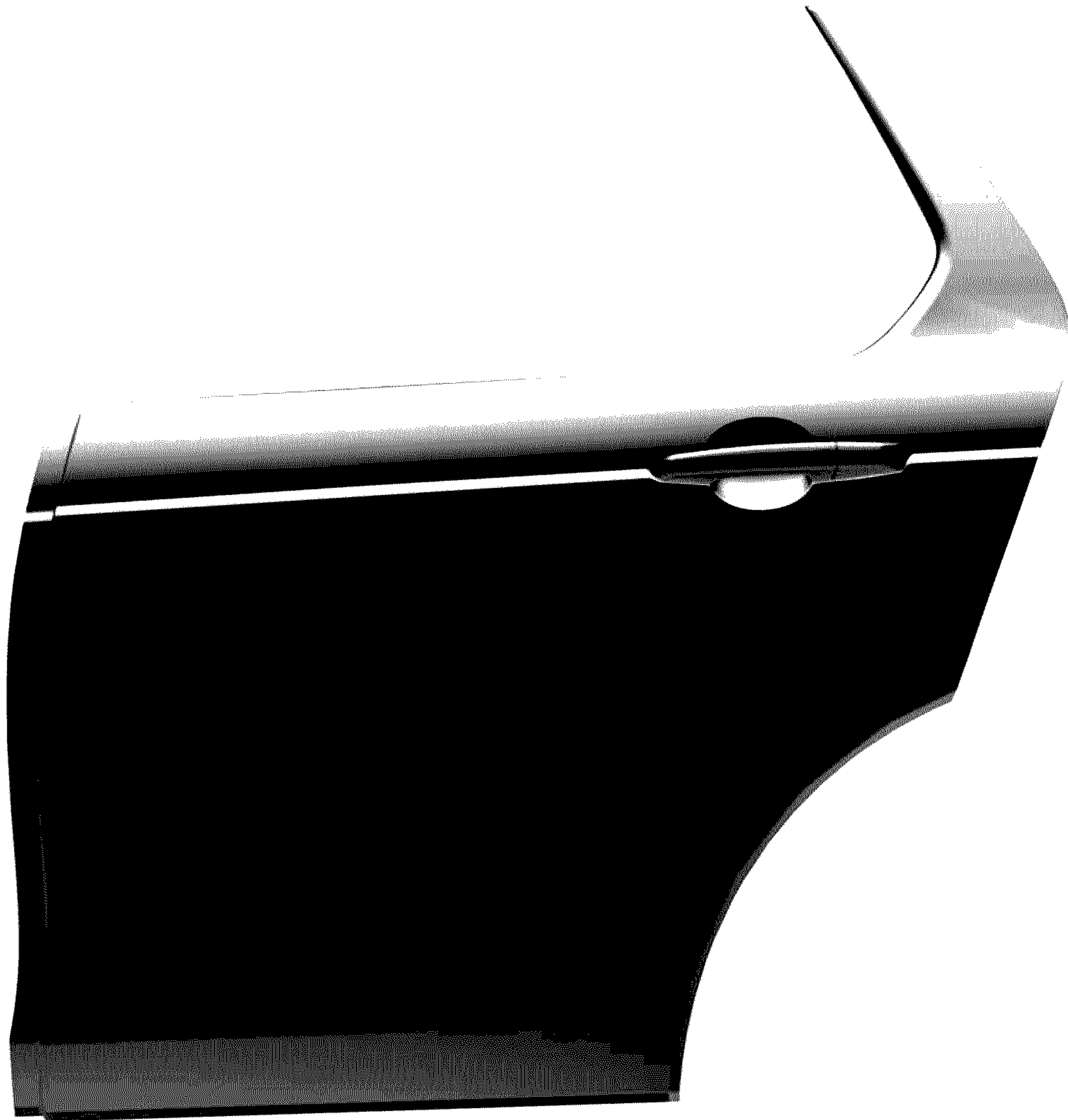


FIG. 5

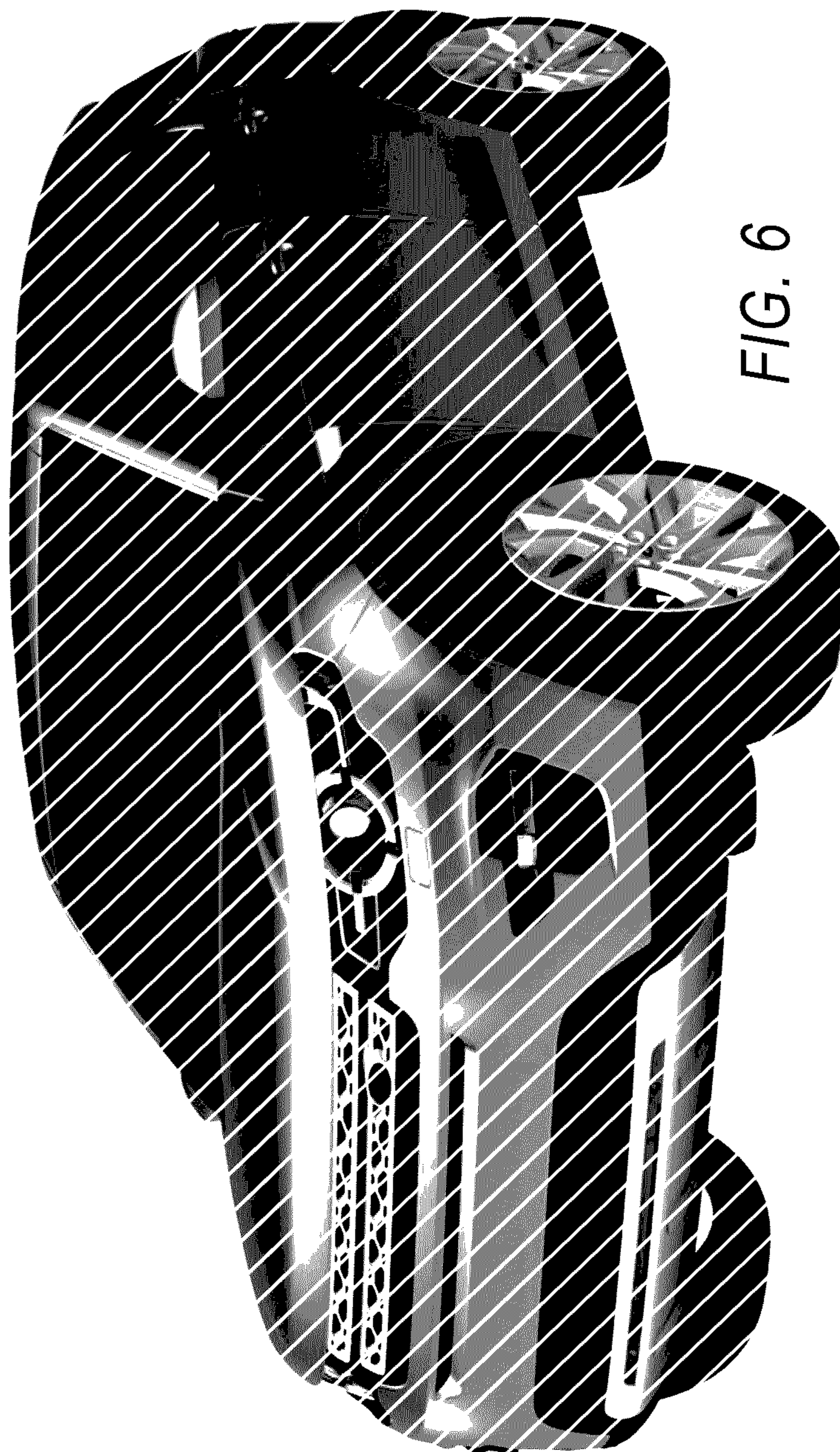


FIG. 6