



US00D772757S

(12) **United States Design Patent**
Tu et al.

(10) **Patent No.:** **US D772,757 S**

(45) **Date of Patent:** **** Nov. 29, 2016**

(54) **ELECTRIC VEHICLE**

(71) Applicant: **Brue & Yin, LLC**, Rochelle, IL (US)

(72) Inventors: **Chuan-sheng Tu**, Luoyang (CN); **Jie Ren**, Luoyang (CN); **Chengjun Wang**, Luoyang (CN)

(**) Term: **14 Years**

(21) Appl. No.: **29/524,962**

(22) Filed: **Apr. 24, 2015**

(51) **LOC (10) Cl.** **12-08**

(52) **U.S. Cl.**
USPC **D12/91; D12/86**

(58) **Field of Classification Search**
USPC D12/86, 90-92, 88; D21/421, 433, 434;
296/181.1, 181.5
CPC B62D 35/00; B62D 25/00; B62D 25/06;
B62D 33/00
See application file for complete search history.

(56) **References Cited**

U.S. PATENT DOCUMENTS

D567,144 S * 4/2008 Pocobello D12/86
D605,557 S * 12/2009 Murakami D12/91

D605,558 S * 12/2009 Koman D12/91
D610,039 S * 2/2010 Koide D12/90
D622,183 S * 8/2010 Ishikura D12/90
D651,132 S * 12/2011 Lambri D12/86
D676,359 S * 2/2013 Panoz D12/86
D678,819 S * 3/2013 Akamine D12/90
D684,091 S * 6/2013 Frenzel D12/90
D696,606 S * 12/2013 Dong D12/90
D719,062 S * 12/2014 Wada D12/86
D724,999 S * 3/2015 Murray D12/90

* cited by examiner

Primary Examiner — Melody N Brown

(74) *Attorney, Agent, or Firm* — Reed Smith LLP

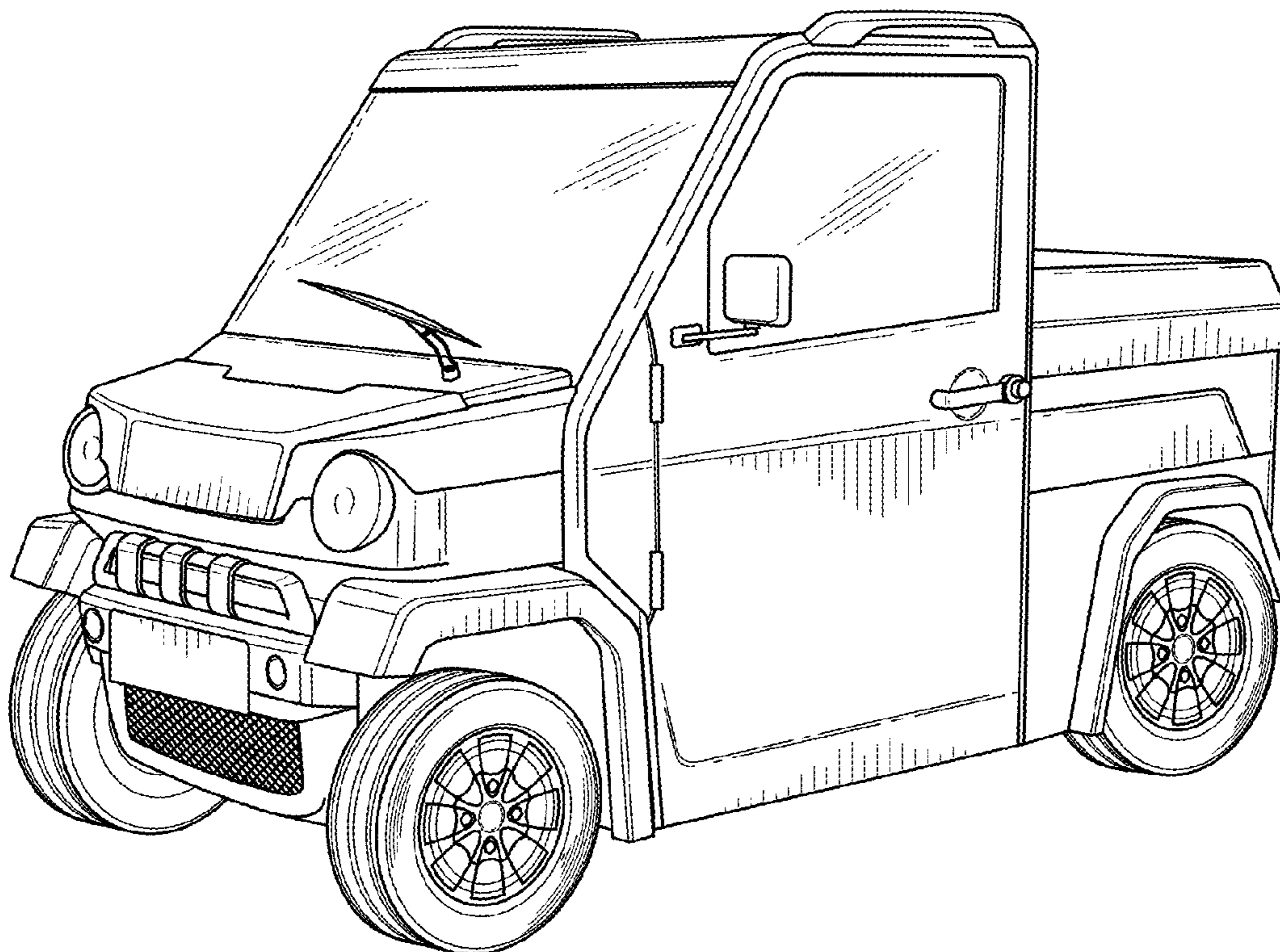
(57) **CLAIM**

The ornamental design for an electric vehicle, as shown and described.

DESCRIPTION

FIG. 1 is a perspective of an electric vehicle showing our new design;
FIG. 2 is a front view thereof;
FIG. 3 is a rear elevational view thereof;
FIG. 4 is a side elevational view thereof;
FIG. 5 is an opposite side elevational view thereof; and,
FIG. 6 is a top plan view thereof.

1 Claim, 4 Drawing Sheets



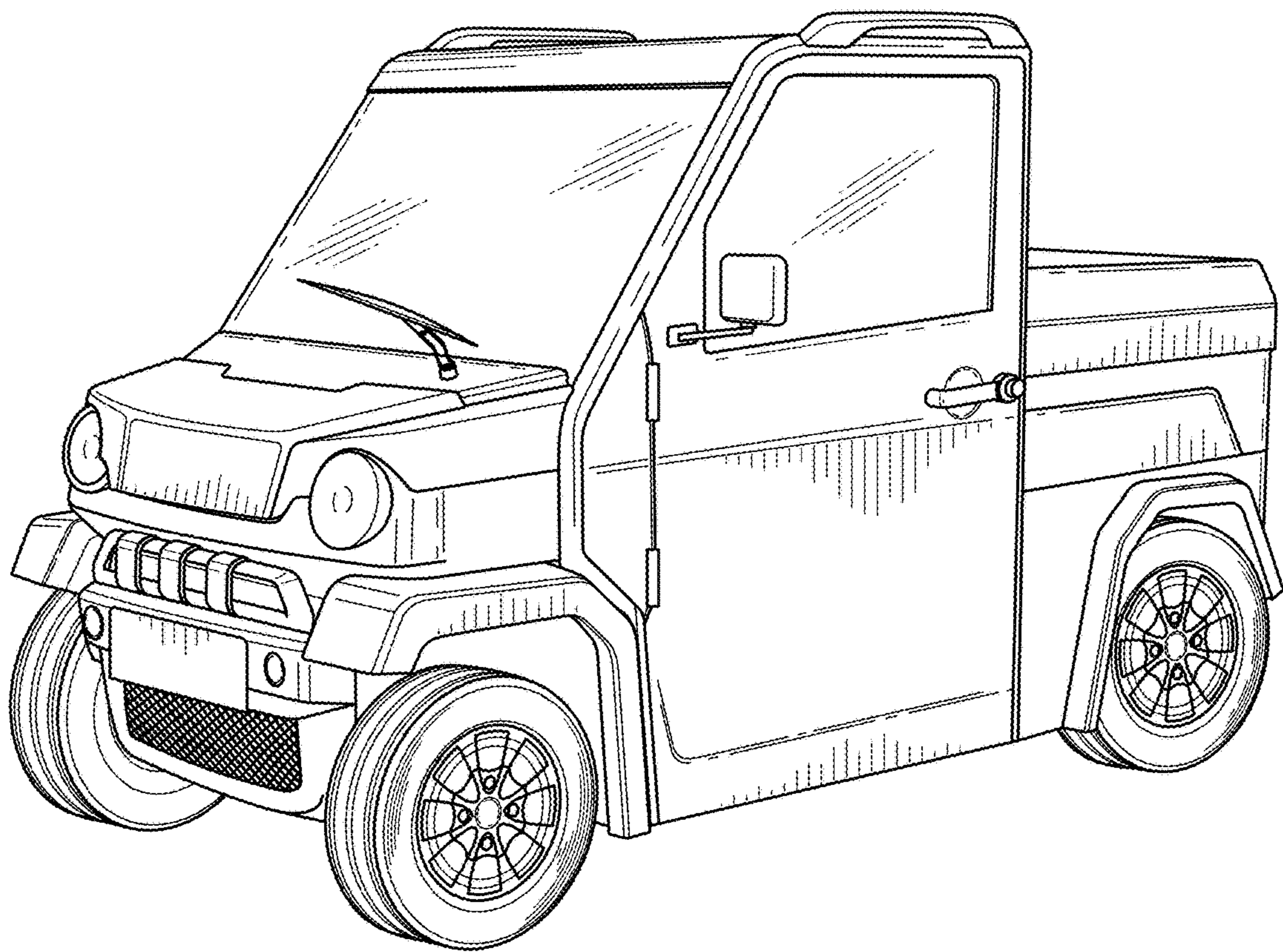


FIG. 1

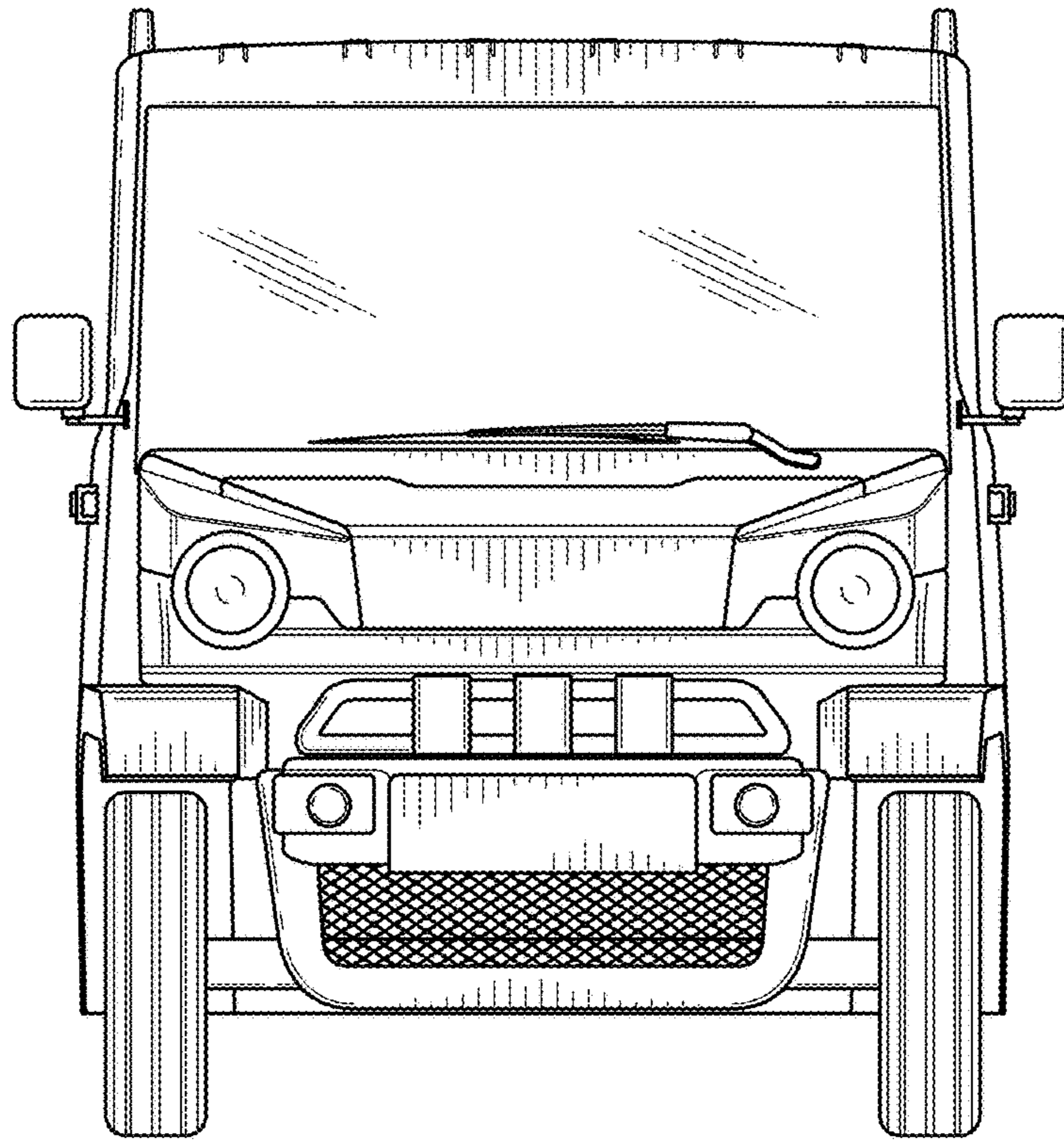


FIG. 2

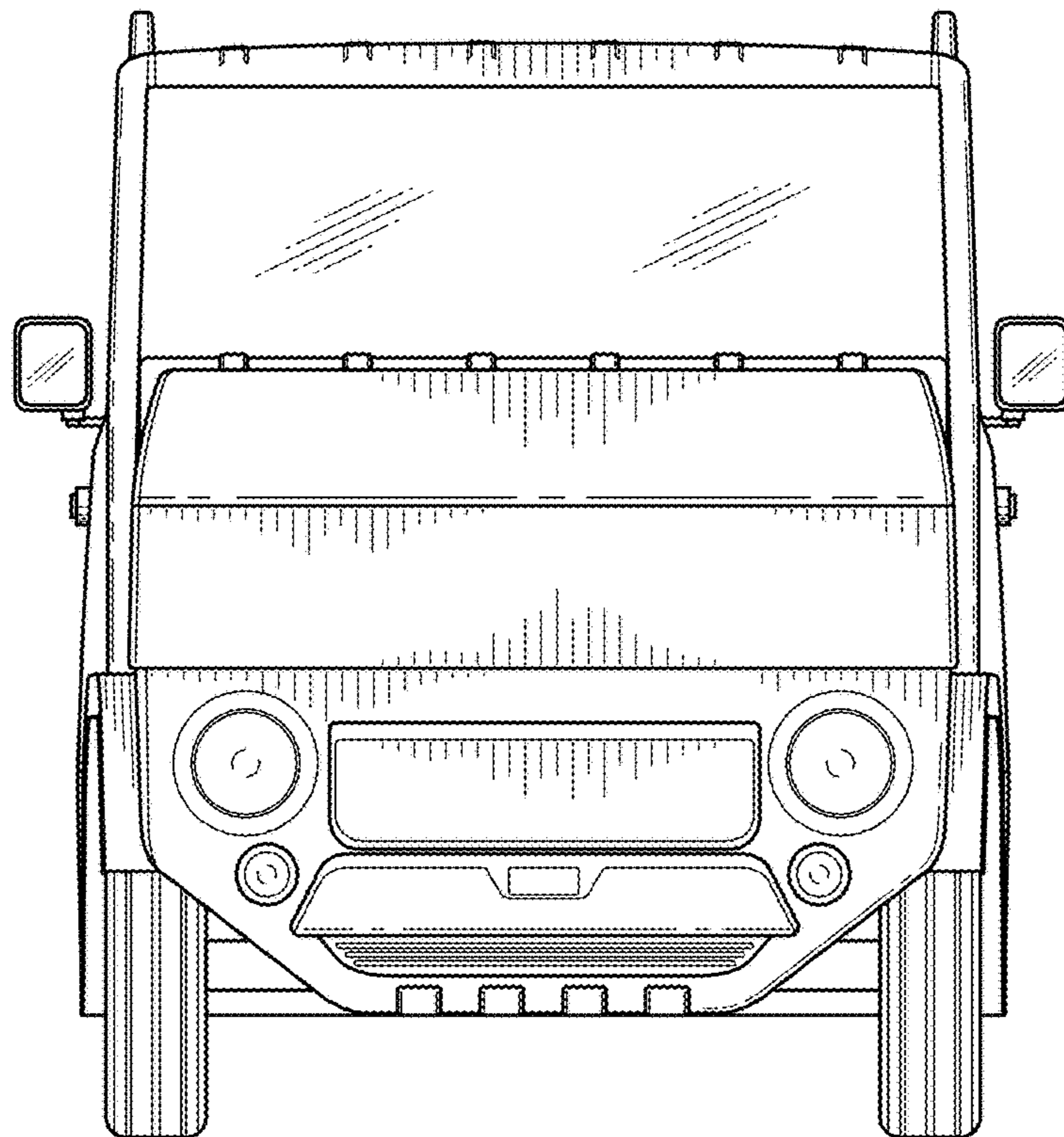


FIG. 3

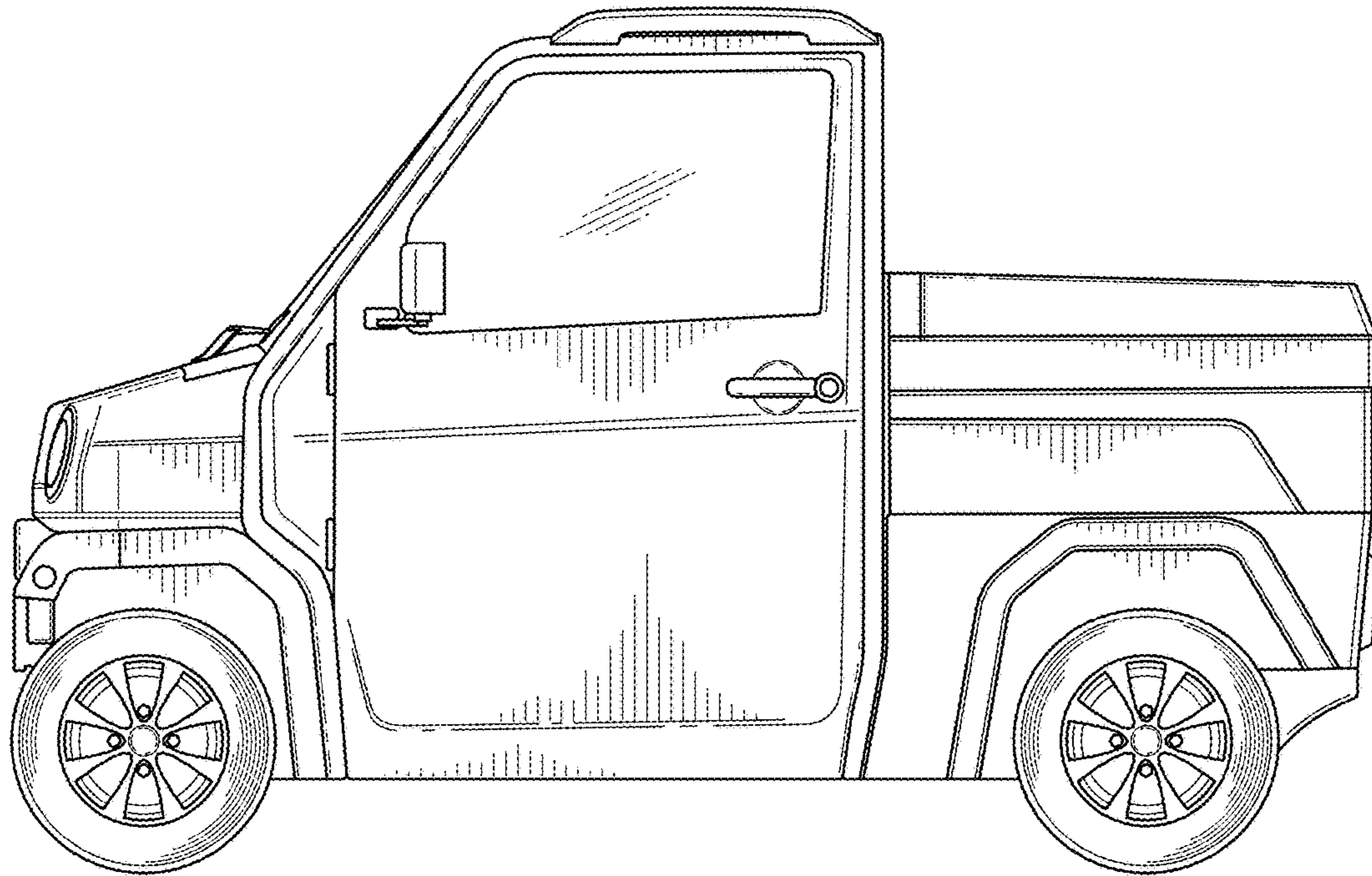


FIG. 4

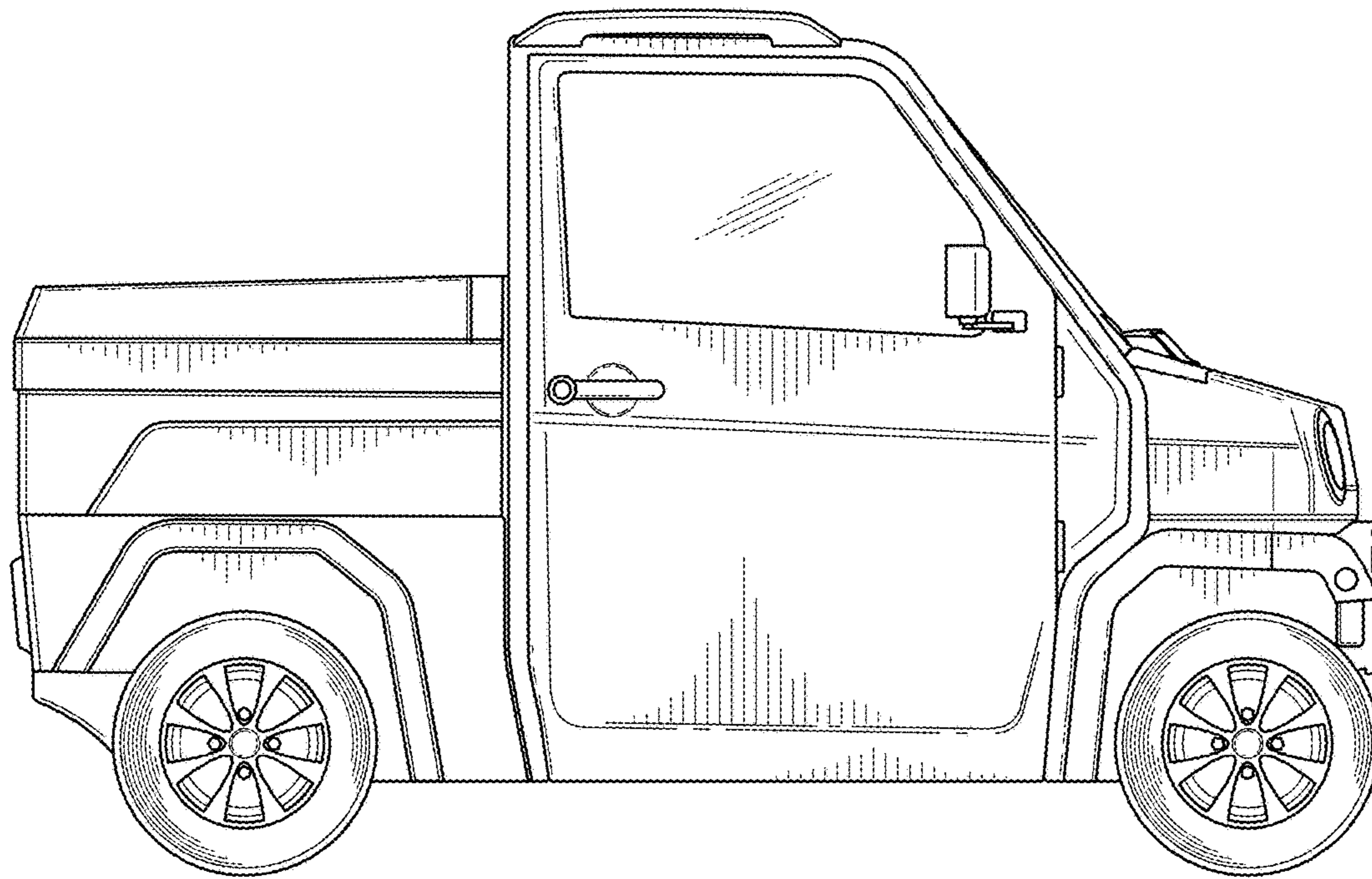


FIG. 5

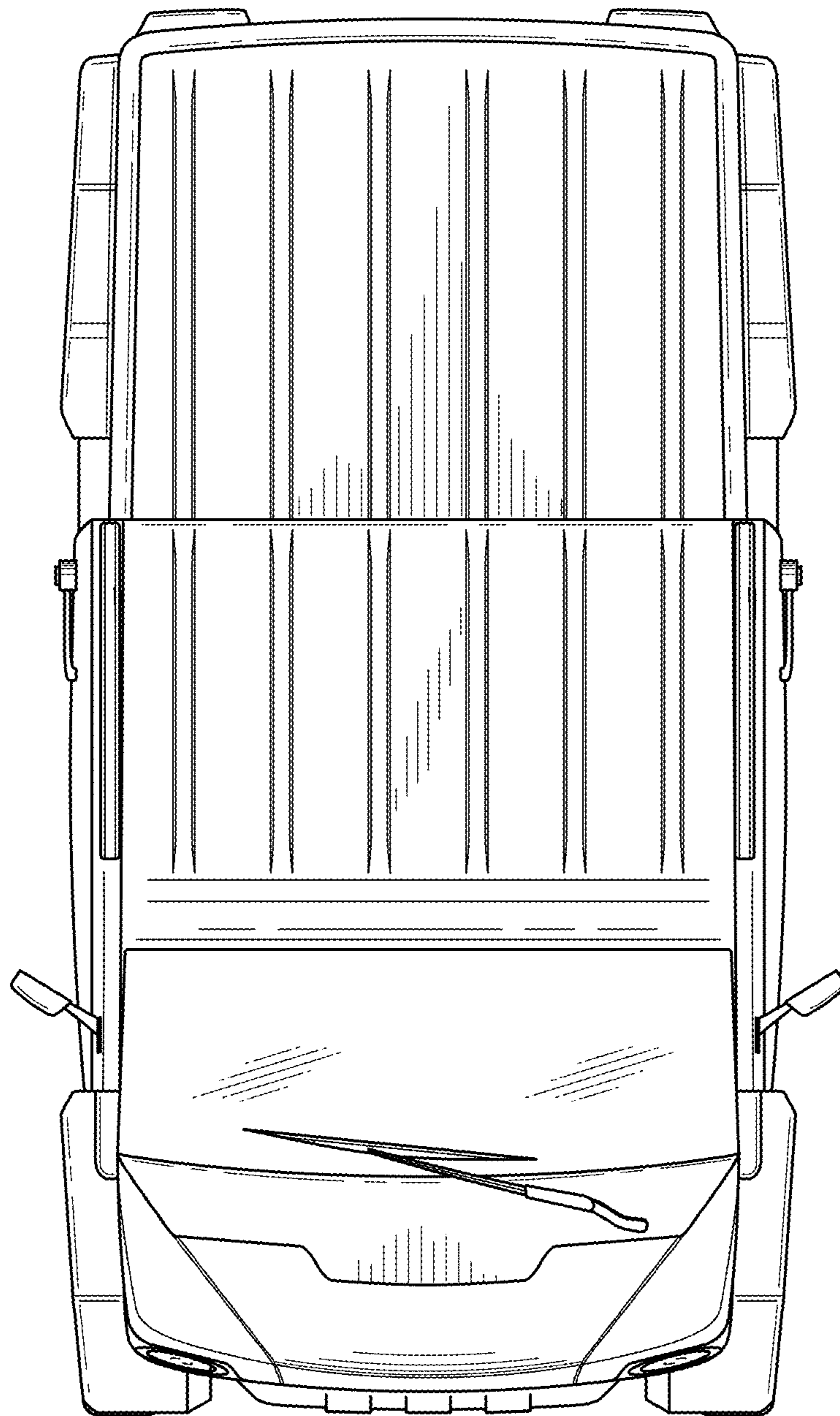


FIG. 6