



US00D772756S

(12) **United States Design Patent**
Gambus et al.

(10) **Patent No.:** **US D772,756 S**

(45) **Date of Patent:** **** Nov. 29, 2016**

- (54) **DRONE**
- (71) Applicant: **NEVA AEROSPACE LIMITED**,
Horsham (GB)
- (72) Inventors: **Anthony Gambus**, Champs sur Marne
(FR); **David Brotherton-Ratliffe**,
Pease Pottage (GB); **Florian Michel**
Robert Vergnes, Chantilly (FR)
- (73) Assignee: **NEVA AEROSPACES LIMITED**,
Horsham (GB)

D197,447 S *	2/1964	Friedrich	244/12.2
D243,837 S *	3/1977	Adams	D12/330
D493,411 S *	7/2004	Fong	D12/319
6,886,776 B2 *	5/2005	Wagner	B64C 3/56 244/12.1
D543,928 S *	6/2007	Sanders, Jr.	D12/319
D634,257 S *	3/2011	Alexander	D12/326
D665,333 S *	8/2012	Oliver	D12/326
D696,618 S *	12/2013	Wang	D12/326
8,777,150 B2 *	7/2014	Wang	B64C 29/0033 244/12.4
D740,201 S *	10/2015	Wang	D12/326
9,158,304 B2 *	10/2015	Fleck	G05D 1/0011
D751,025 S *	3/2016	Howell	D12/16.1

(Continued)

(**) Term: **15 Years**

(21) Appl. No.: **29/538,419**

(22) Filed: **Sep. 3, 2015**

(51) **LOC (10) Cl.** **12-07**

(52) **U.S. Cl.**
USPC **D12/16.1; D21/441**

(58) **Field of Classification Search**
USPC D12/16.1, 319-345; D21/436, 438,
D21/440, 442, 443, 446-451, 453
CPC B64C 39/024; B64C 27/32; B64C
2201/024; B64C 27/12; B64C 39/00; B64C
27/08

See application file for complete search history.

(56) **References Cited**

U.S. PATENT DOCUMENTS

D138,469 S *	8/1944	Eichman	244/35 R
D145,905 S *	11/1946	Neumann	244/65
D169,962 S *	7/1953	Burnelli	D12/333
D184,641 S *	3/1959	Rommel	D12/323
D188,079 S *	5/1960	Rellis	244/15
D188,226 S *	6/1960	Jones	D12/333
D188,359 S *	7/1960	Le Bel	244/12.3
D189,462 S *	12/1960	Vogt	D12/329
D189,835 S *	2/1961	Wiley	D12/330
D192,195 S *	2/1962	Stepniewski	D12/330

Primary Examiner — Robert M Spear

Assistant Examiner — Marissa J Cash

(74) *Attorney, Agent, or Firm* — Ladas & Parry LLP

(57) **CLAIM**

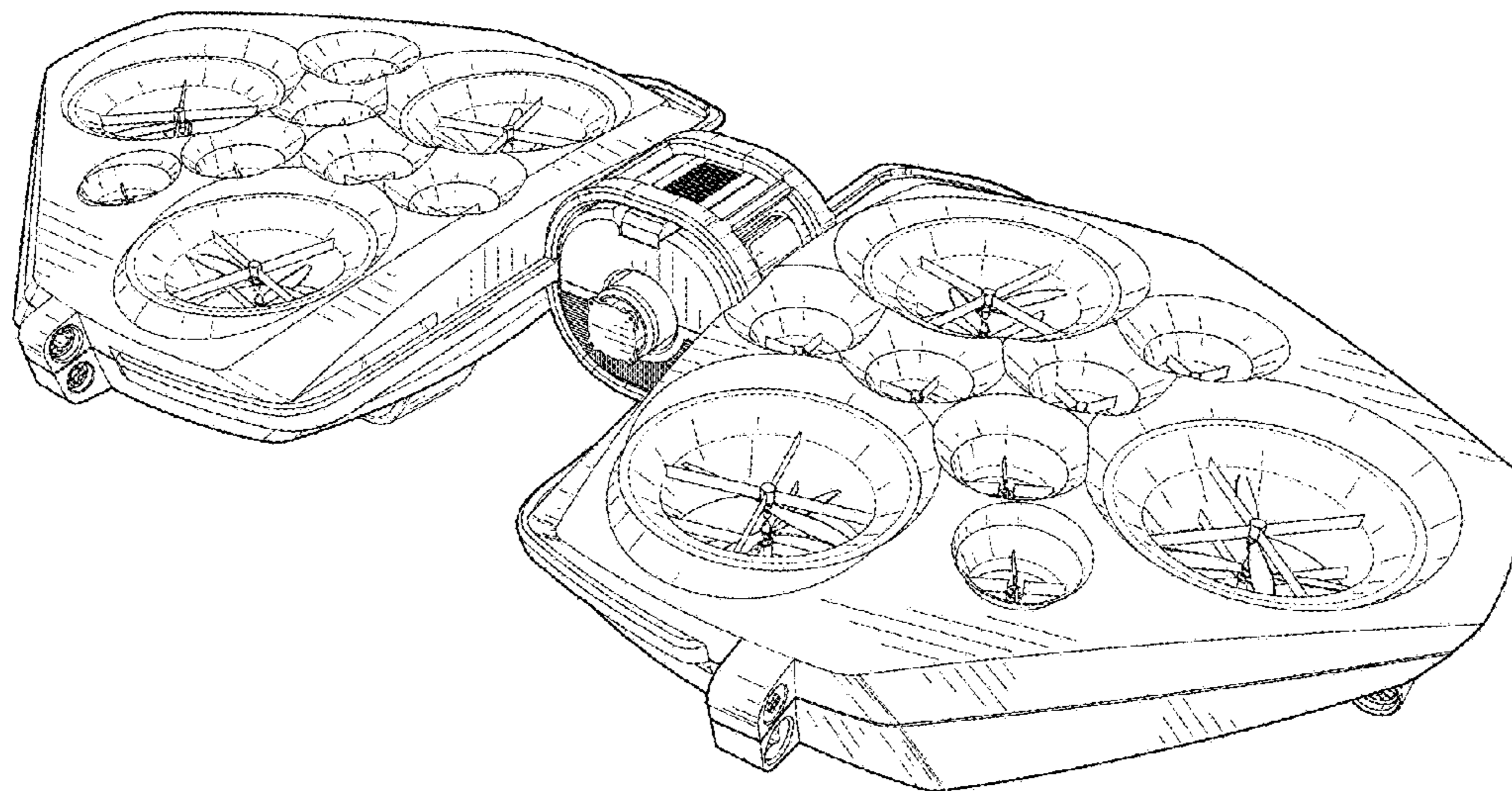
We claim the ornamental design for a drone, as shown and described.

DESCRIPTION

FIG. 1 is a front view showing our new design for a drone. FIG. 2 is a rear view thereof. FIG. 3 is a right side view thereof; the left side view is a mirror image of the right side view. FIG. 4 is a top view thereof. FIG. 5 is a bottom view thereof. FIG. 6 is a top perspective view thereof from the front. FIG. 7 is a top perspective view thereof from the rear; and, FIG. 8 is a bottom perspective view thereof.

The drone can be used as an unmanned air vehicle (UAV) having vertical take-off and landing (VTOL) and linear flight capability as well as the ability to carry loads. The drone can be used as a workhorse drone for lifting, equipment transport, security, and emergency repairs (while carrying tools therefore) in remote and difficult locations.

1 Claim, 8 Drawing Sheets



US D772,756 S

Page 2

(56)

References Cited

U.S. PATENT DOCUMENTS

2015/0012154 A1*	1/2015	Senkel	B64D 17/80
			701/4
2015/0346721 A1*	12/2015	Werner	G05D 1/0016
			701/2
2007/0246601 A1*	10/2007	Layton	B64C 29/0025
			244/12.2

* cited by examiner

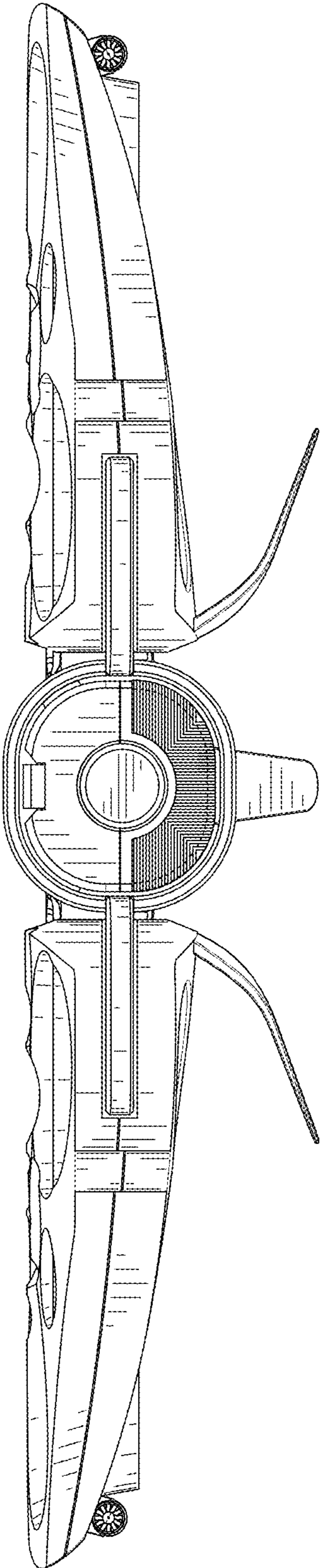


FIG. 1

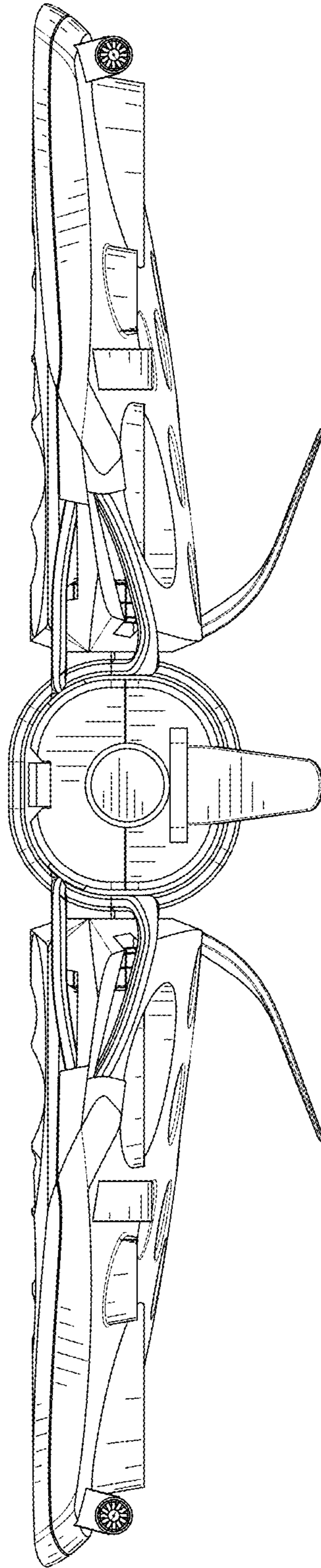


FIG. 2

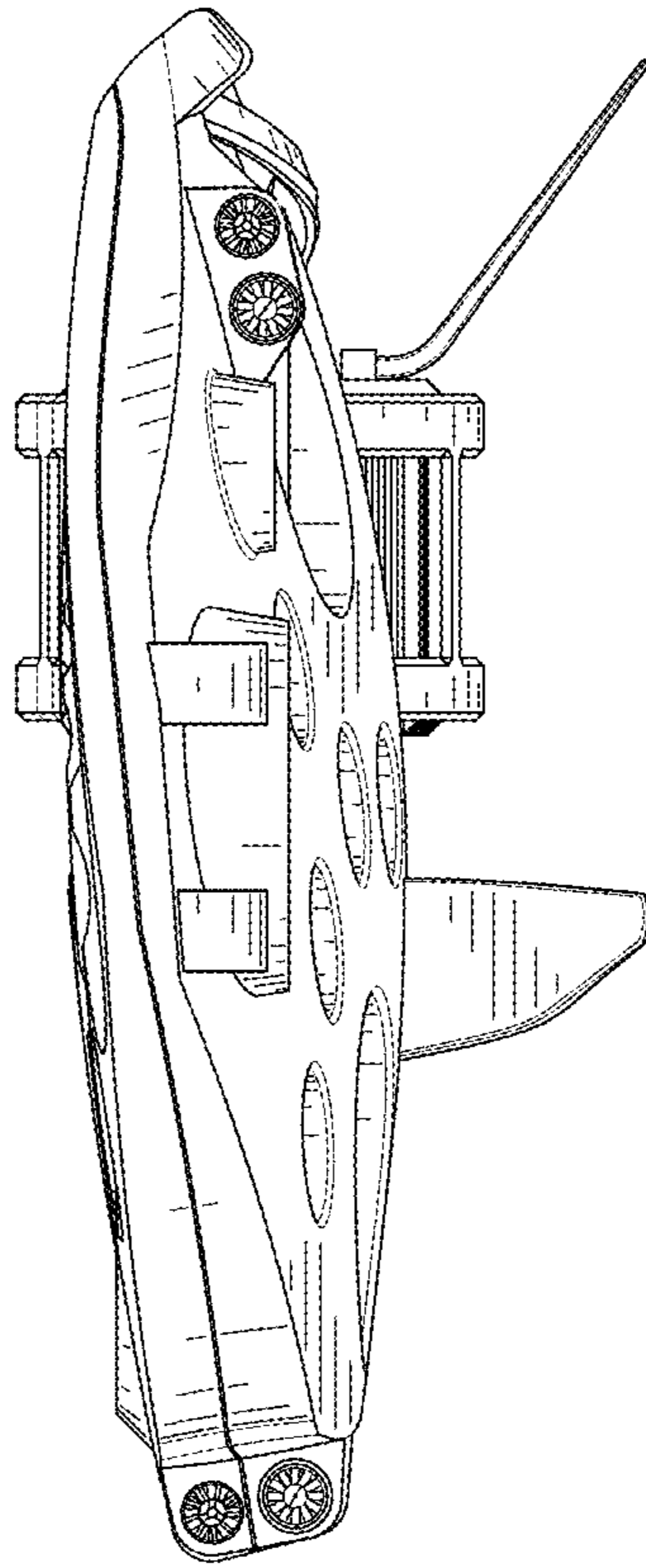


FIG. 3

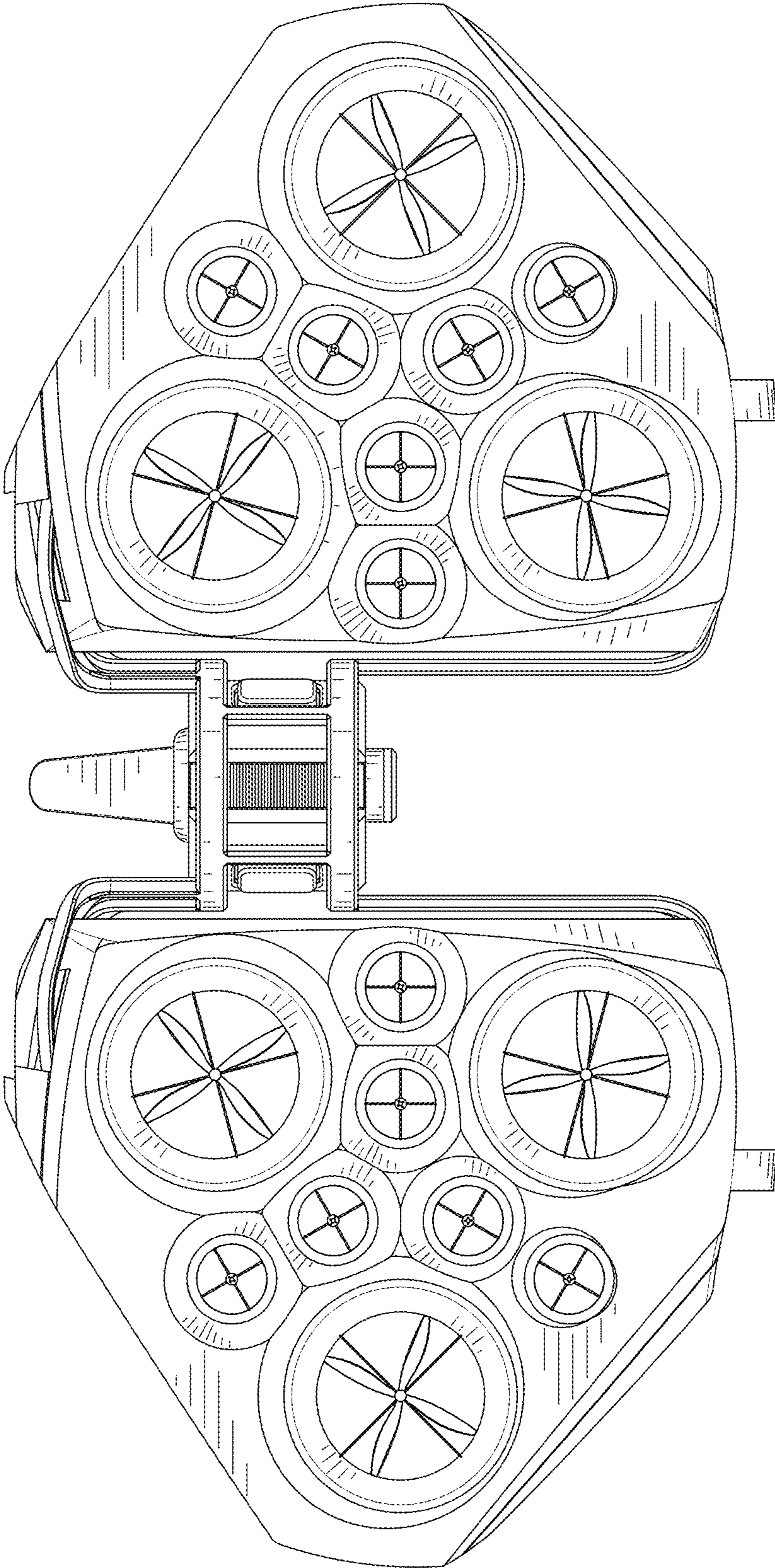


FIG. 4

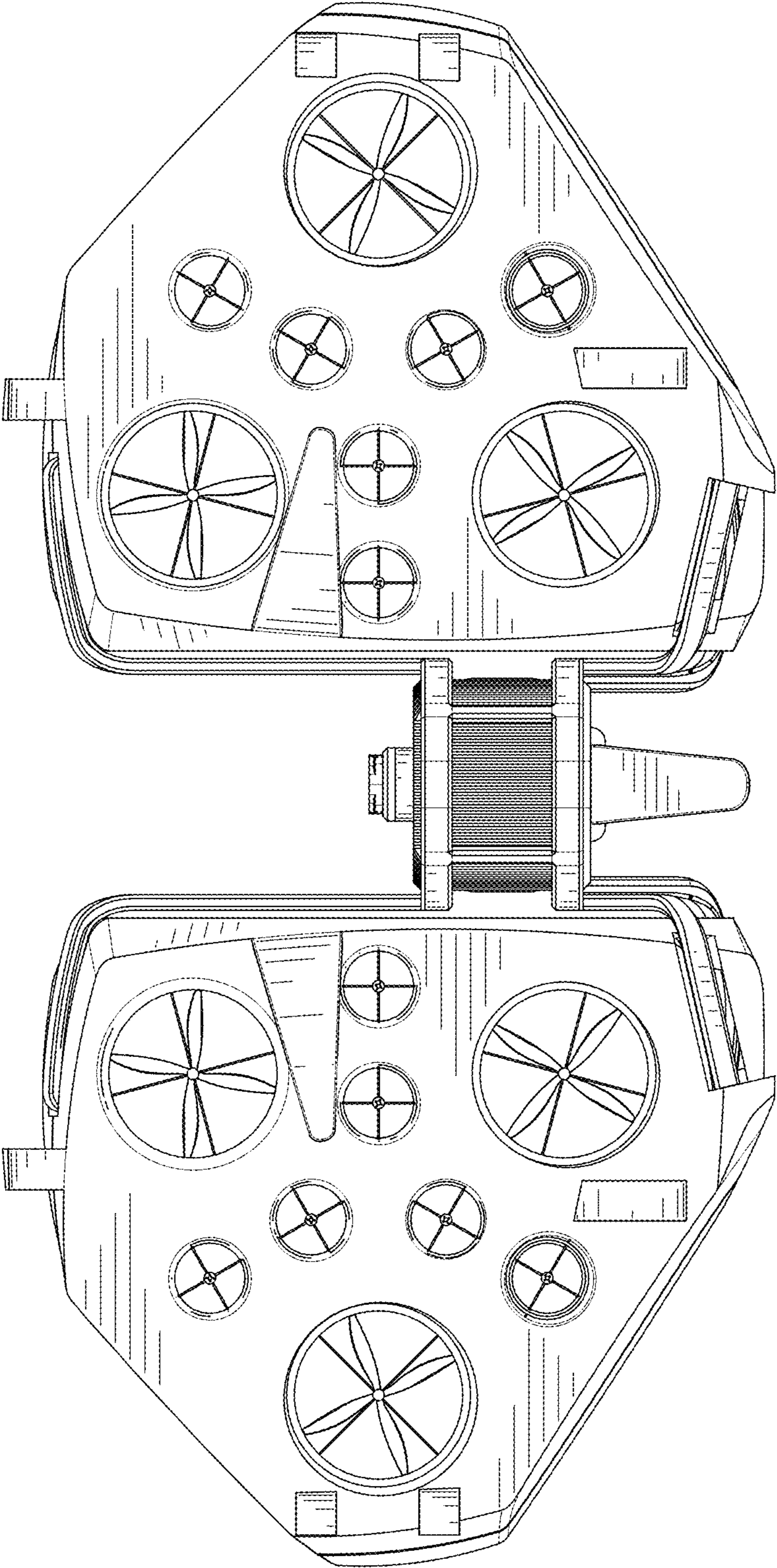


FIG. 5

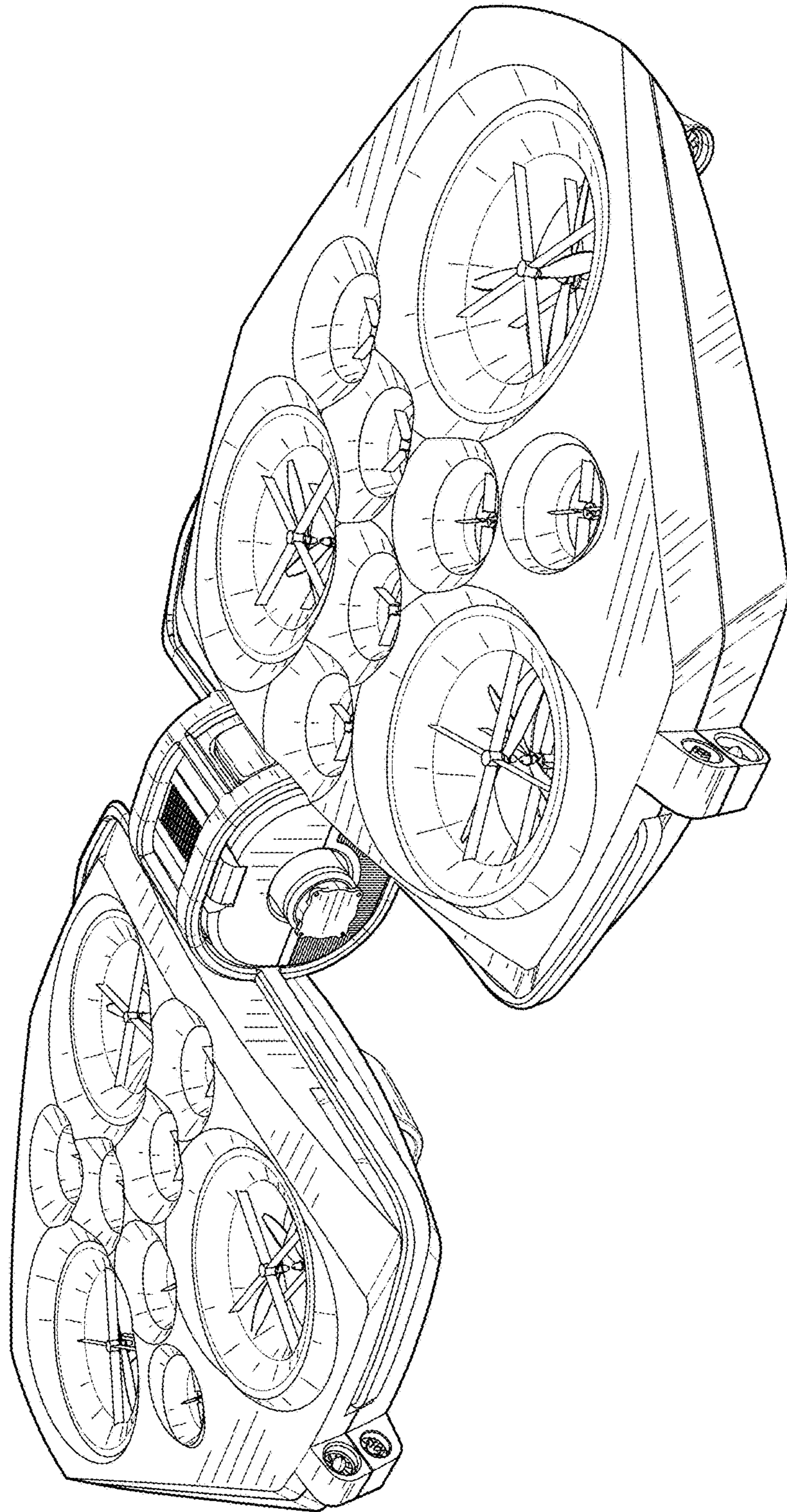


FIG. 6

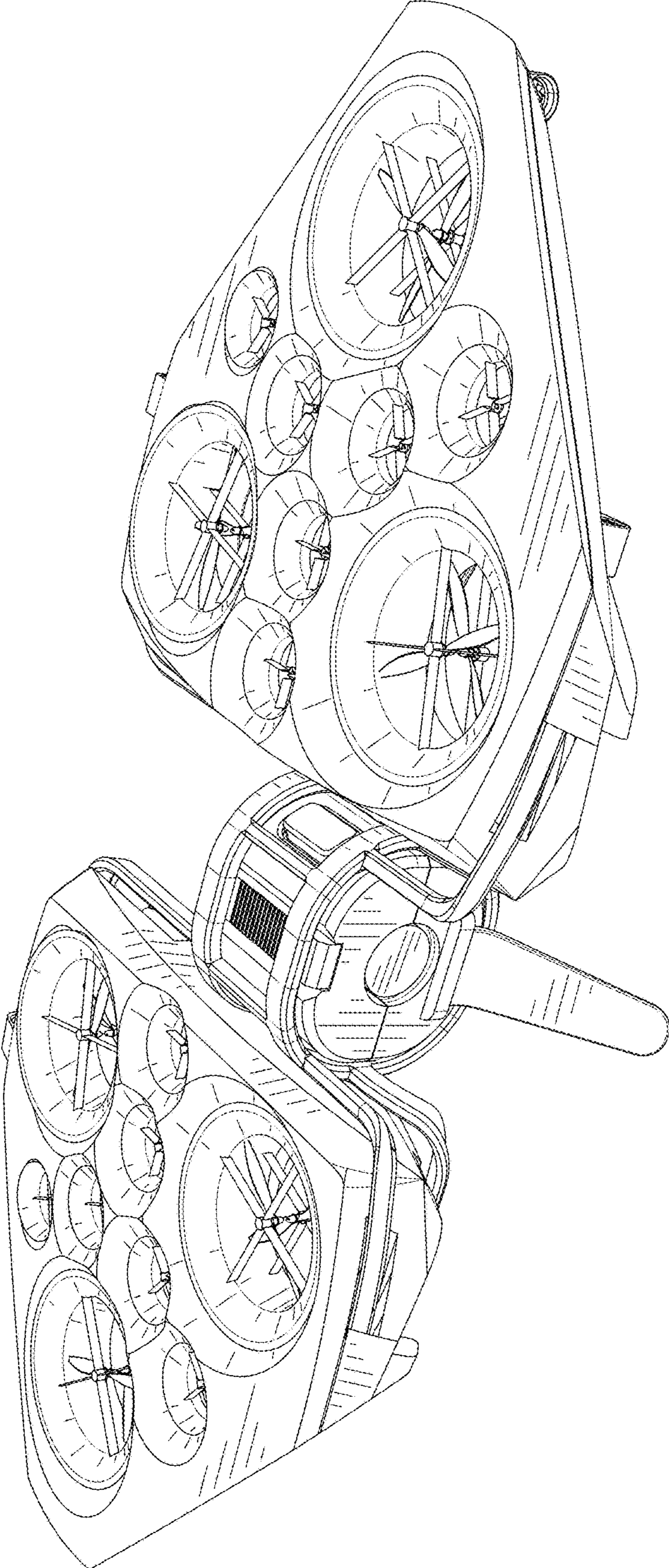


FIG. 7

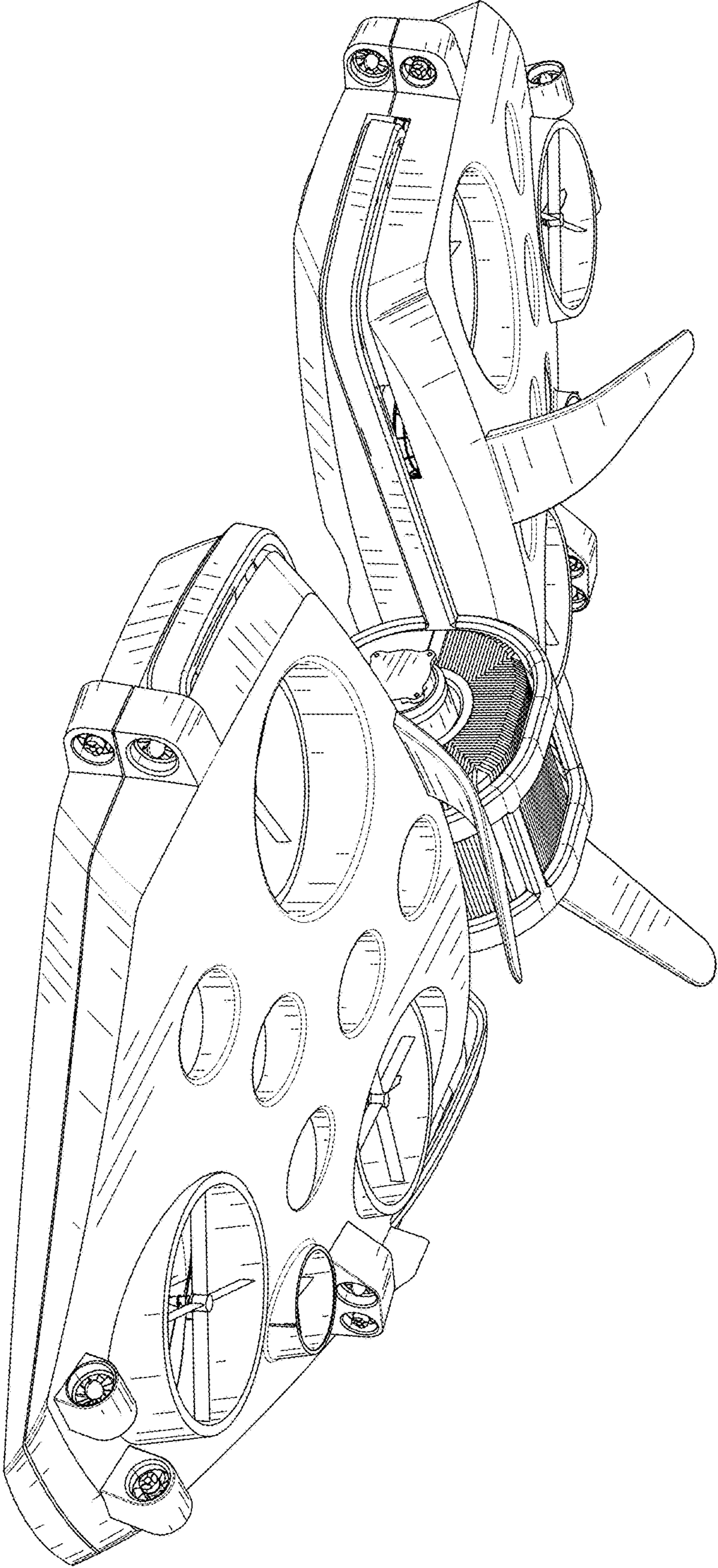


FIG. 8