



US00D772754S

(12) **United States Design Patent** (10) **Patent No.:** **US D772,754 S**
Clark (45) **Date of Patent:** **** Nov. 29, 2016**

(54) **PRELOCK PREVENTION DEVICE FOR USE WITH A WEB RETRACTOR**

Primary Examiner — Ralf Seifert
(74) *Attorney, Agent, or Firm* — Perkins Coie LLP

(71) Applicant: **Shield Restraint Systems, Inc.**,
Elkhart, IN (US)

(57) **CLAIM**
The ornamental design for a prelock prevention device for use with a web retractor, as shown and described.

(72) Inventor: **John Clark**, Granger, IN (US)

(73) Assignee: **Shield Restraint Systems, Inc.**,
Elkhart, IN (US)

DESCRIPTION

(**) Term: **15 Years**

(21) Appl. No.: **29/533,525**

(22) Filed: **Jul. 17, 2015**

(51) **LOC (10) Cl.** **02-07**

(52) **U.S. Cl.**
USPC **D11/215**

(58) **Field of Classification Search**
USPC D11/1-2, 200-201, 206-210, 214-218;
24/163 R, 169-171, 173, 177-179, 191,
24/194-195, 197, 200, 614-616, 625, 198,
24/578.11, 578.1, 163 K, 114
CPC A44B 11/26; A44B 11/25; A44B 11/06
See application file for complete search history.

FIG. 1 is a rear isometric view of a prelock prevention device for use with a web retractor showing an embodiment of our new design;
FIG. 2 is a front isometric view thereof;
FIG. 3 is a rear elevation view thereof;
FIG. 4 is a front elevation view thereof;
FIG. 5 is a top plan view thereof;
FIG. 6 is a bottom plan view thereof;
FIG. 7 is a right elevation view thereof, the left elevation view being a mirror image of the right elevation view thereof;
FIG. 8 is a rear isometric view of the prelock prevention device for use with a web retractor showing a second embodiment of our new design;
FIG. 9 is a front isometric view of the embodiment of FIG. 8;
FIG. 10 is a rear elevation view of the embodiment of FIG. 8;
FIG. 11 is a front elevation view of the embodiment of FIG. 8;
FIG. 12 is a top plan view of the embodiment of FIG. 8;
FIG. 13 is a bottom plan view of the embodiment of FIG. 8;
and,
FIG. 14 is a right elevation view of the embodiment of FIG. 8, the left elevation view being a mirror image of the right elevation view of the embodiment of FIG. 8.
The broken lines in the Figures show portions of the prelock prevention device for use with a web retractor which form no part of the claimed design.

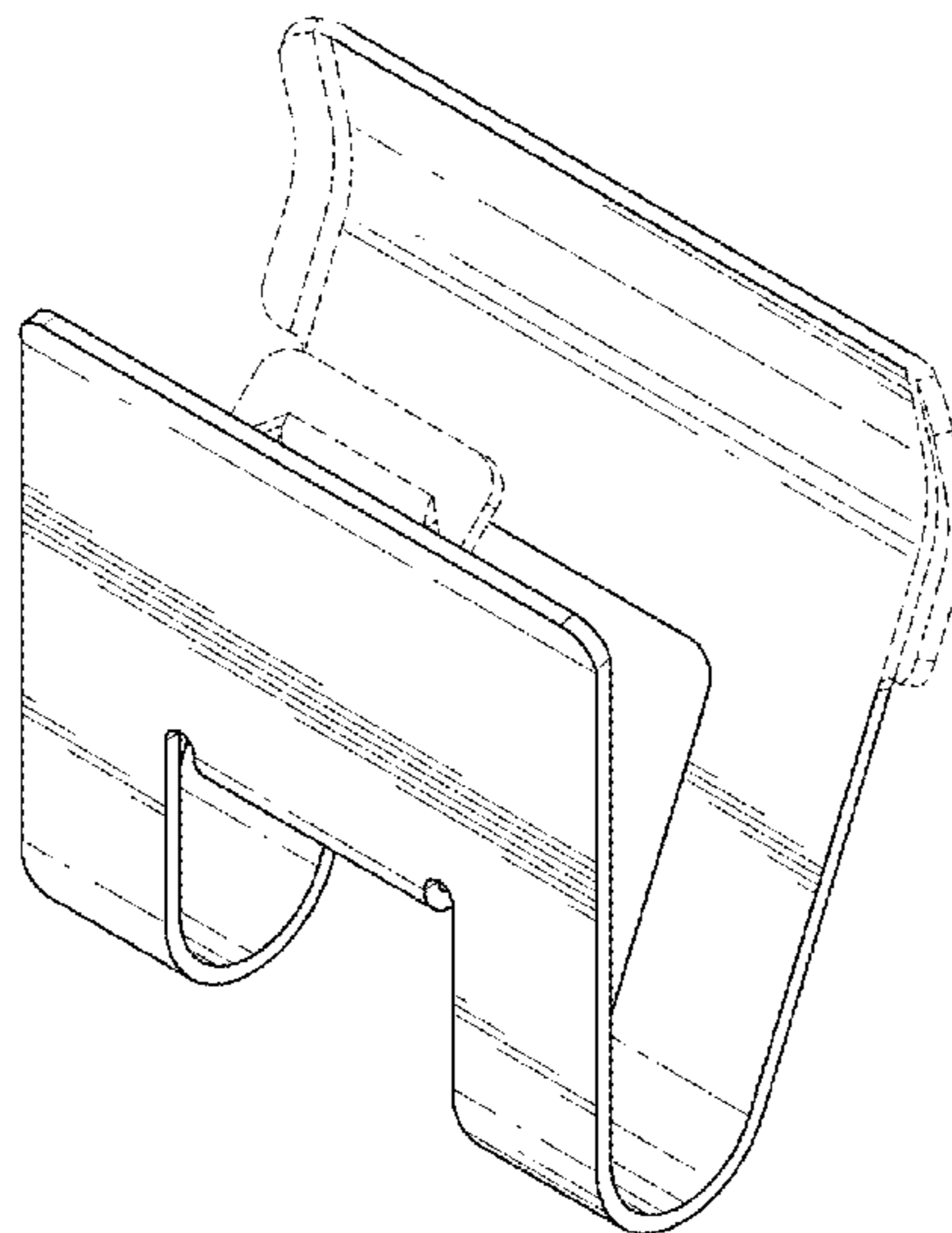
(56) **References Cited**

U.S. PATENT DOCUMENTS

D25,699 S *	6/1896	Raymond	D11/210
643,317 A *	2/1900	Bigger et al.	A41B 3/08
				24/331
763,014 A *	6/1904	Neider	A47C 21/022
				24/457
D137,731 S *	4/1944	Kirkland	D11/215
D212,207 S *	9/1968	Zinni	D11/215
D543,447 S *	5/2007	Allsopp	D8/394
D608,687 S *	1/2010	Stallins	D11/215
D686,942 S *	7/2013	Watson	D11/201

* cited by examiner

1 Claim, 6 Drawing Sheets



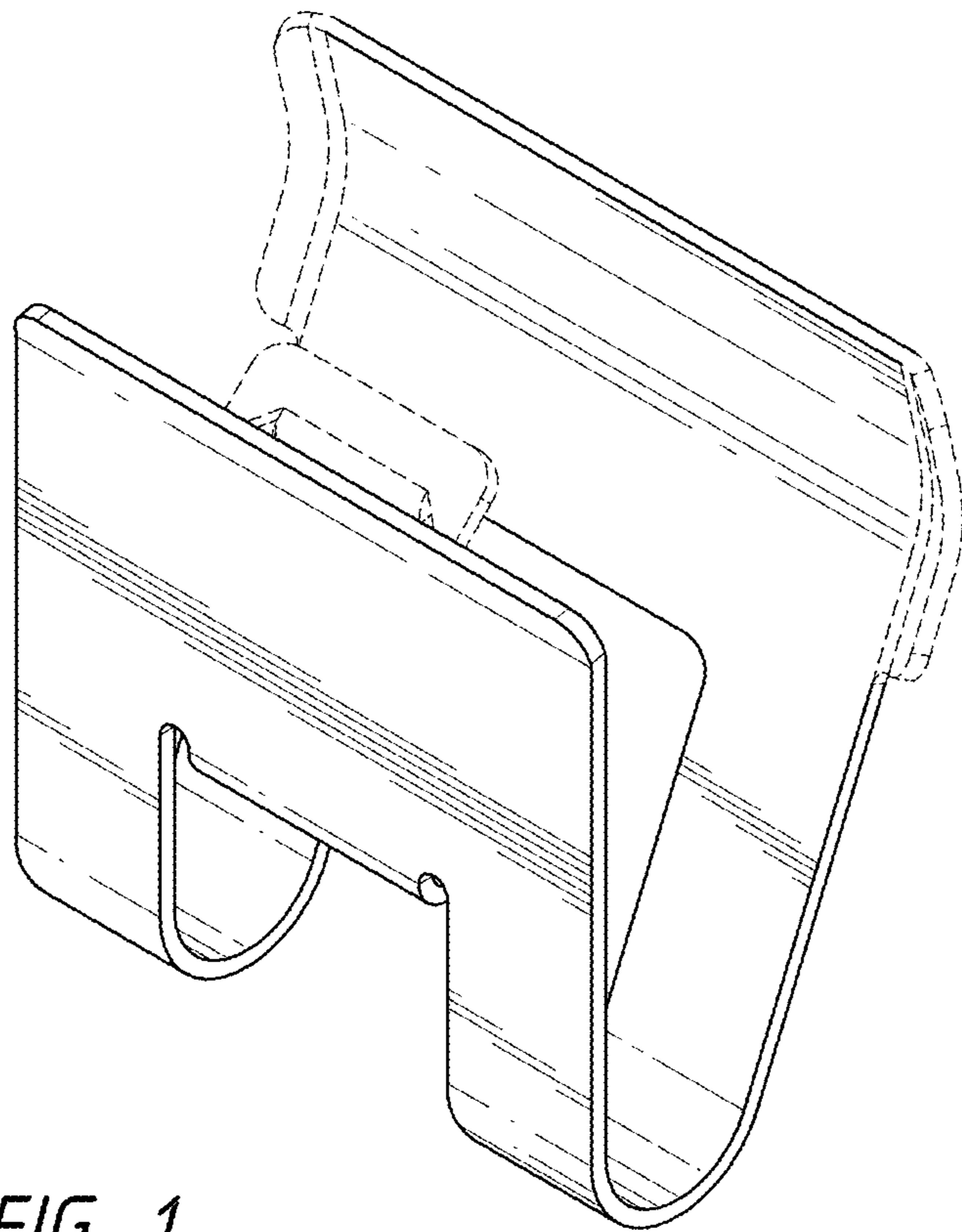


FIG. 1

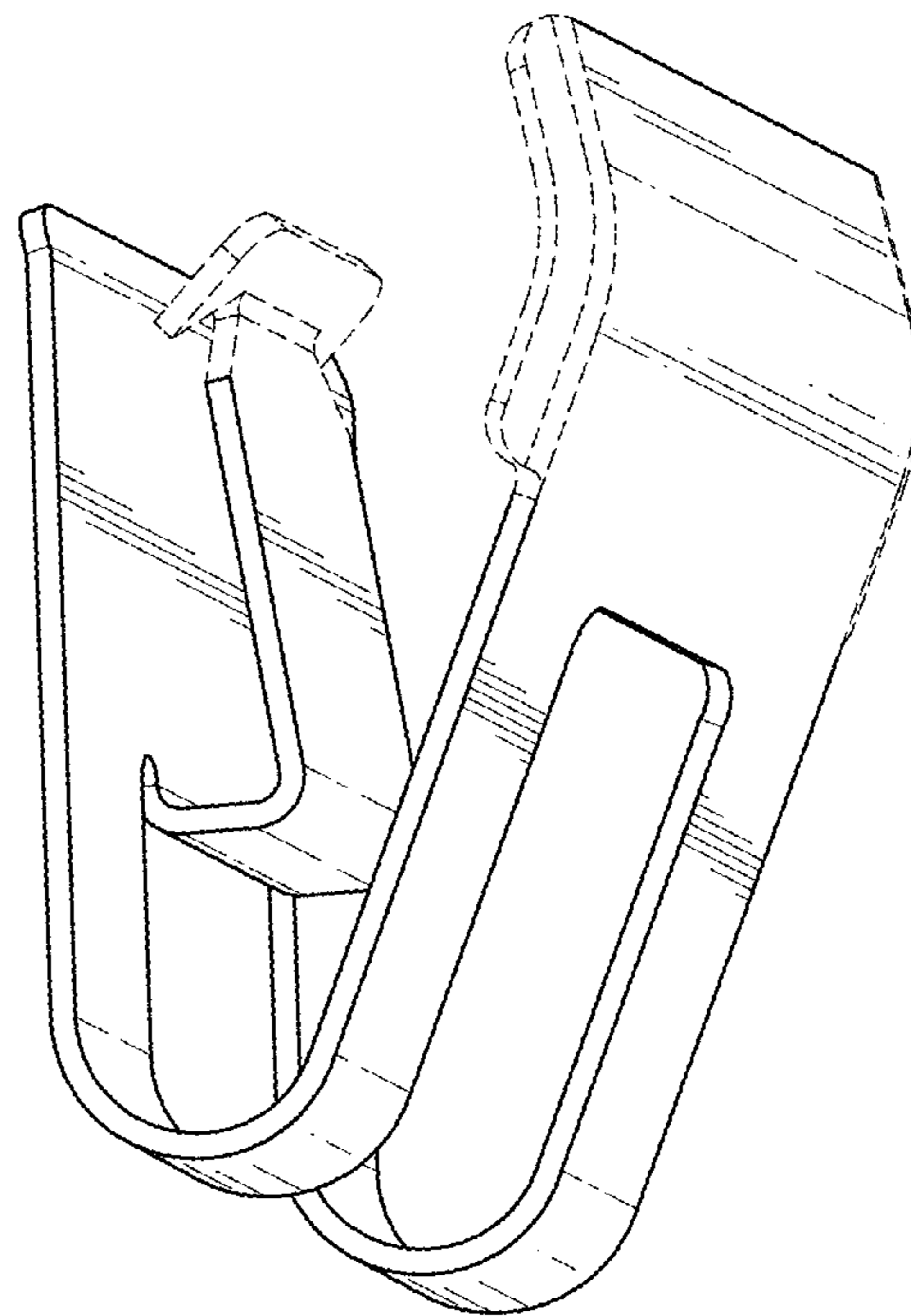


FIG. 2

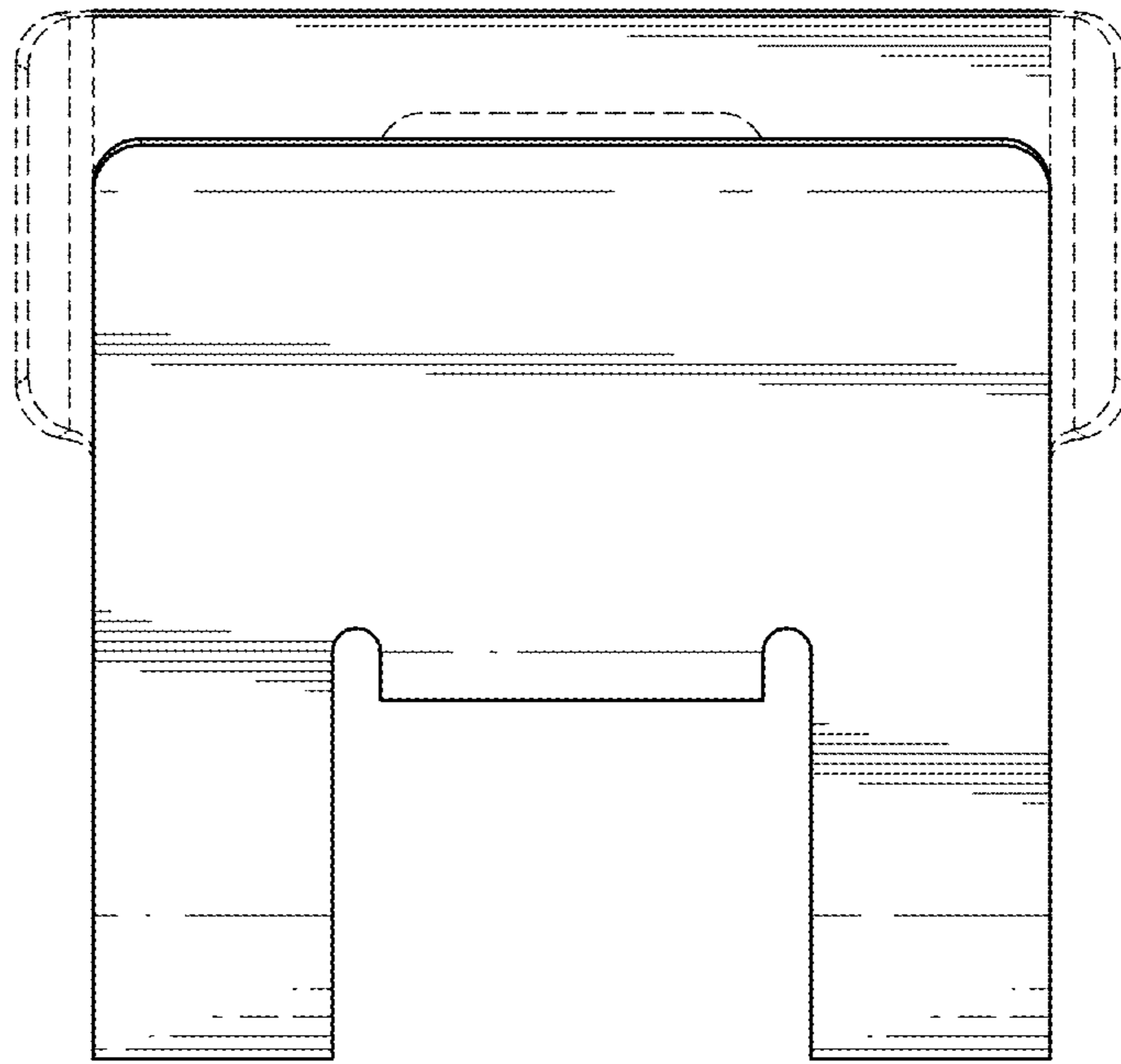


FIG. 3

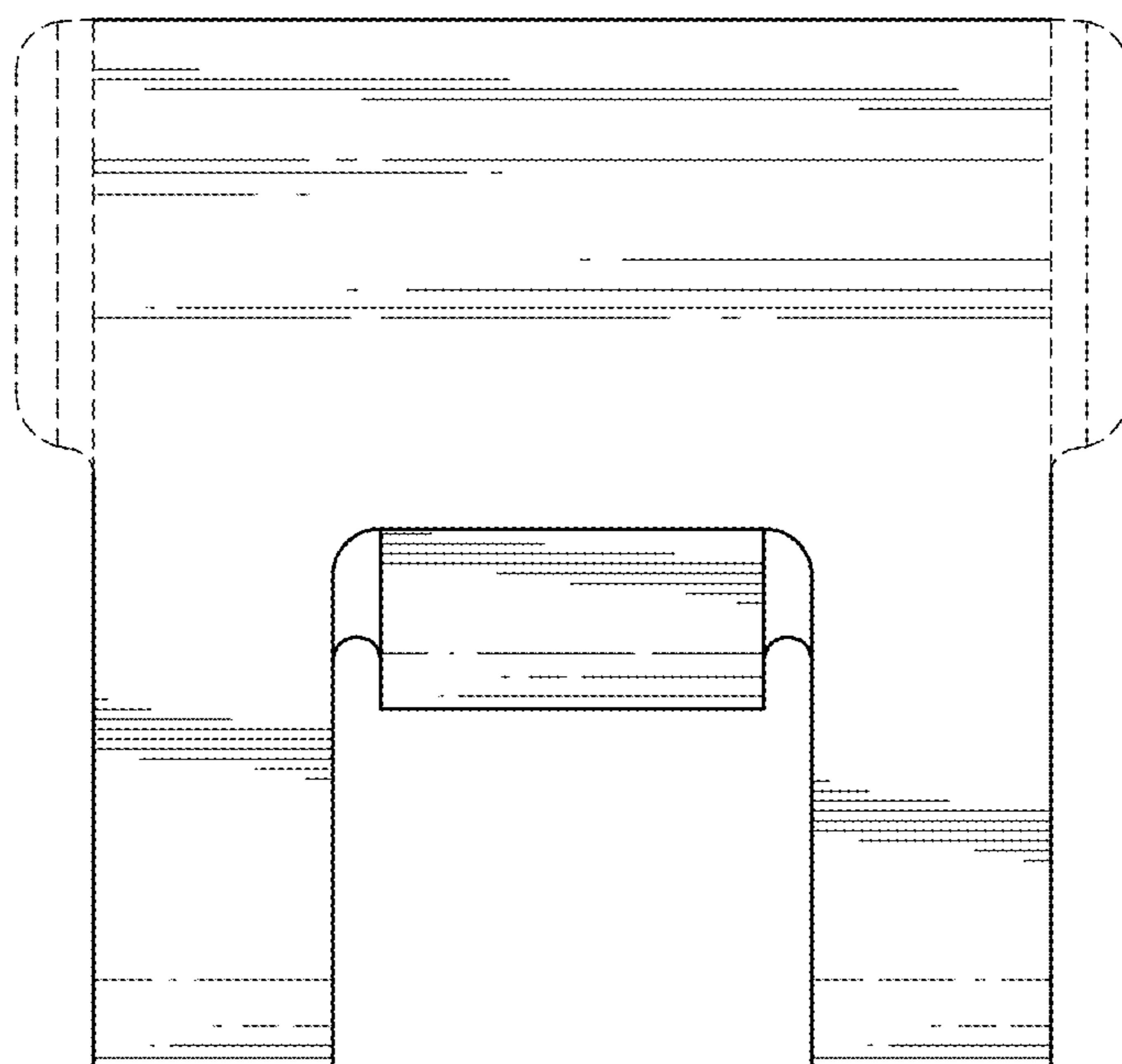


FIG. 4

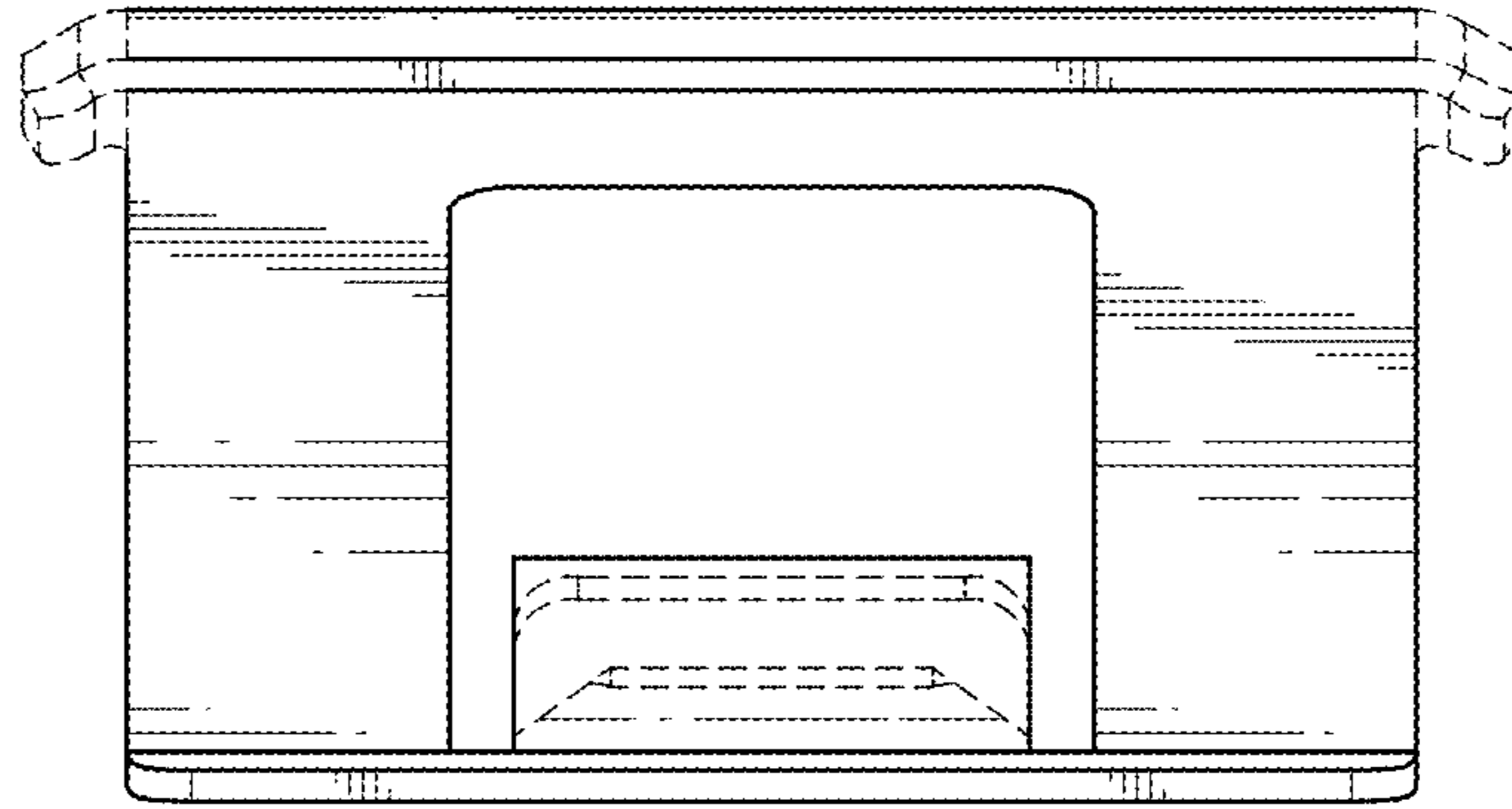


FIG. 5

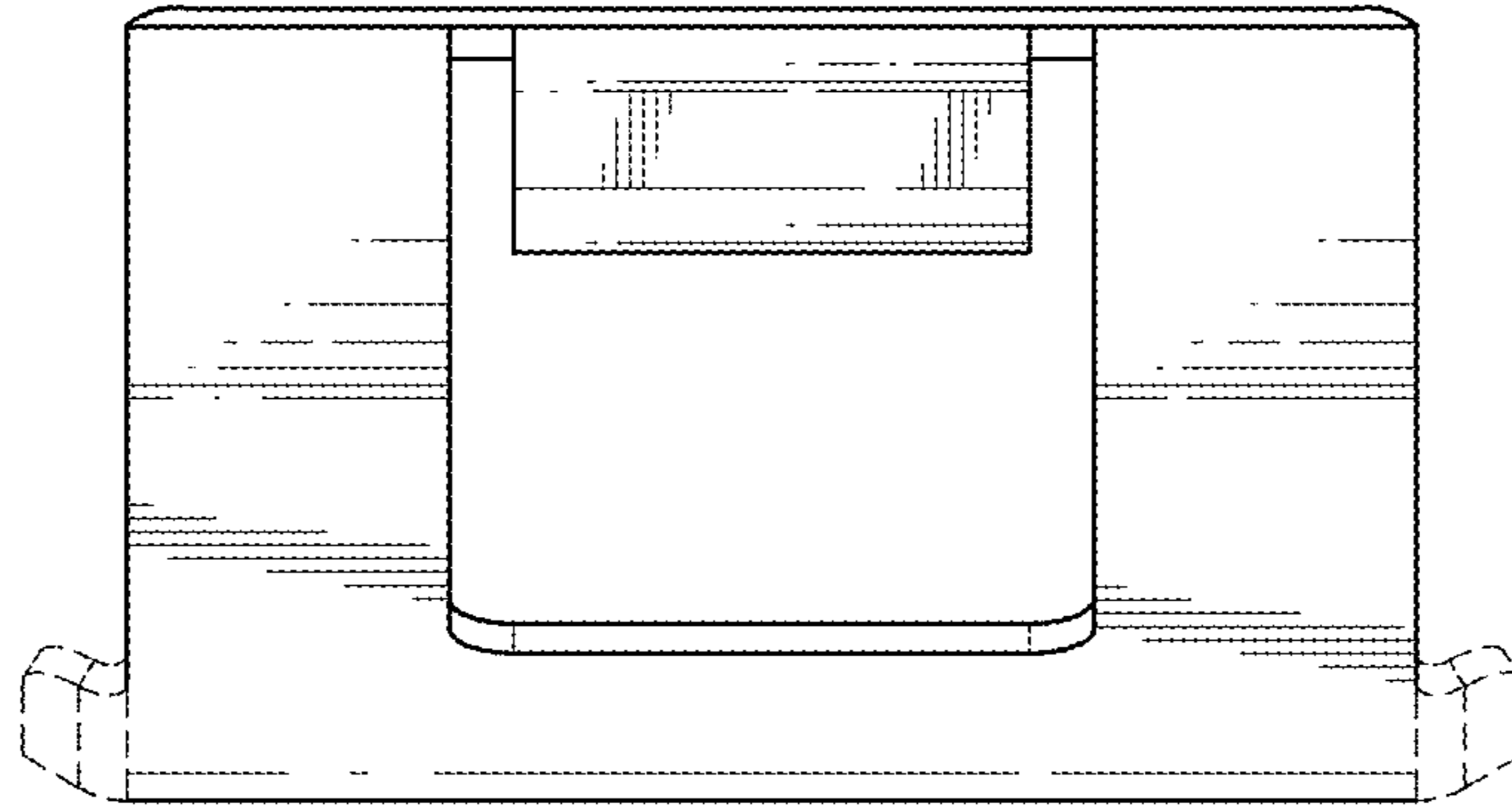


FIG. 6

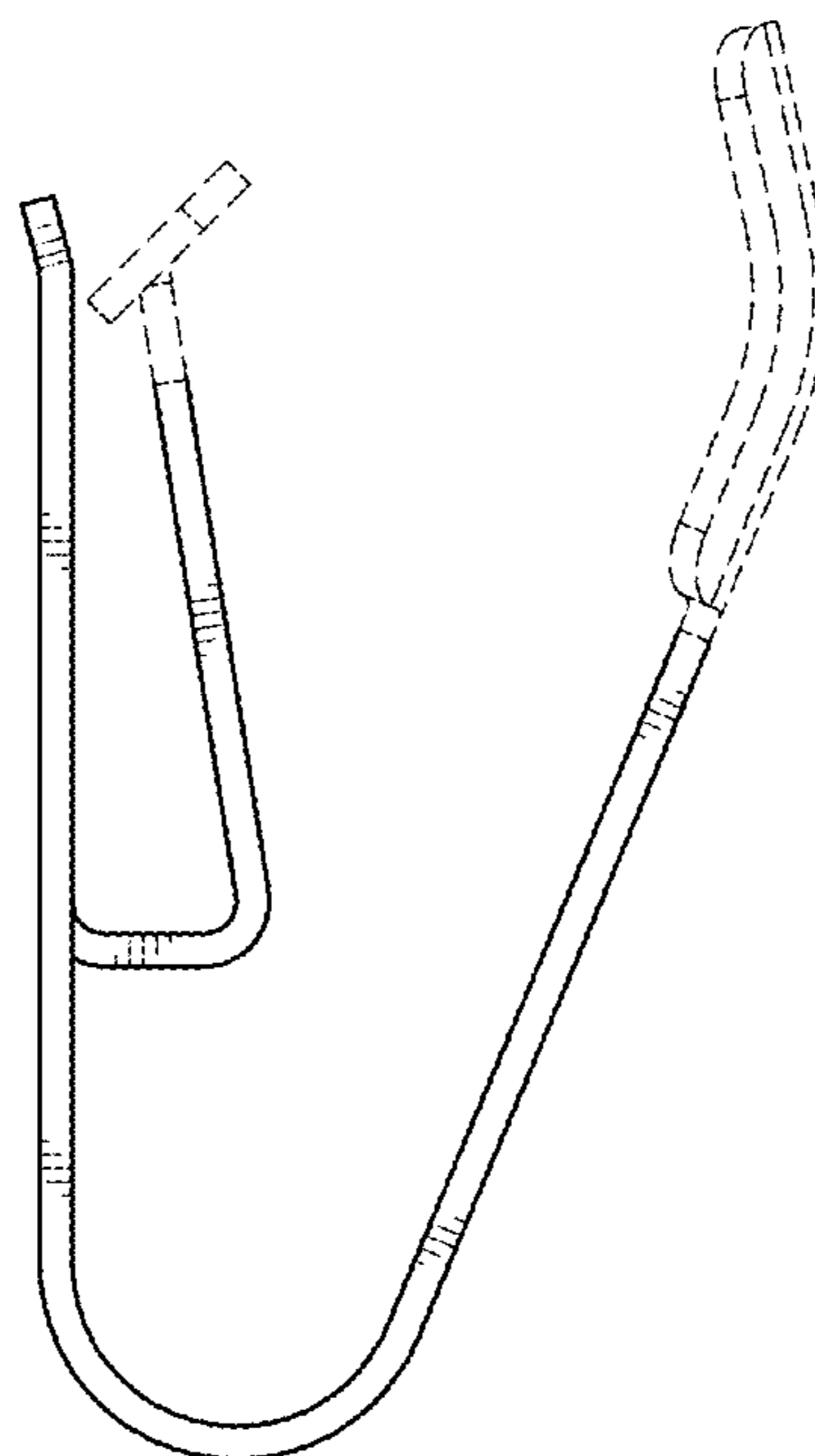


FIG. 7

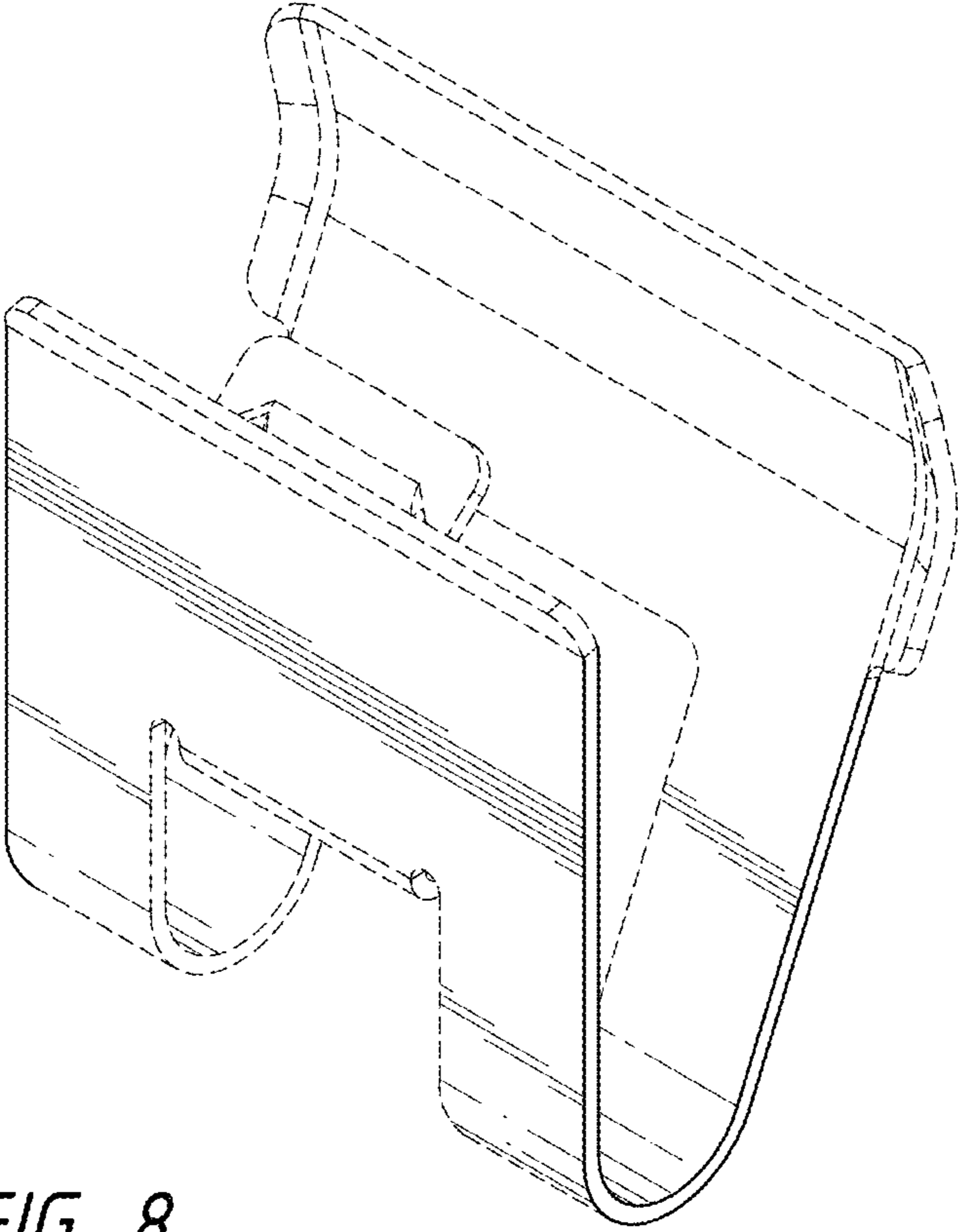


FIG. 8

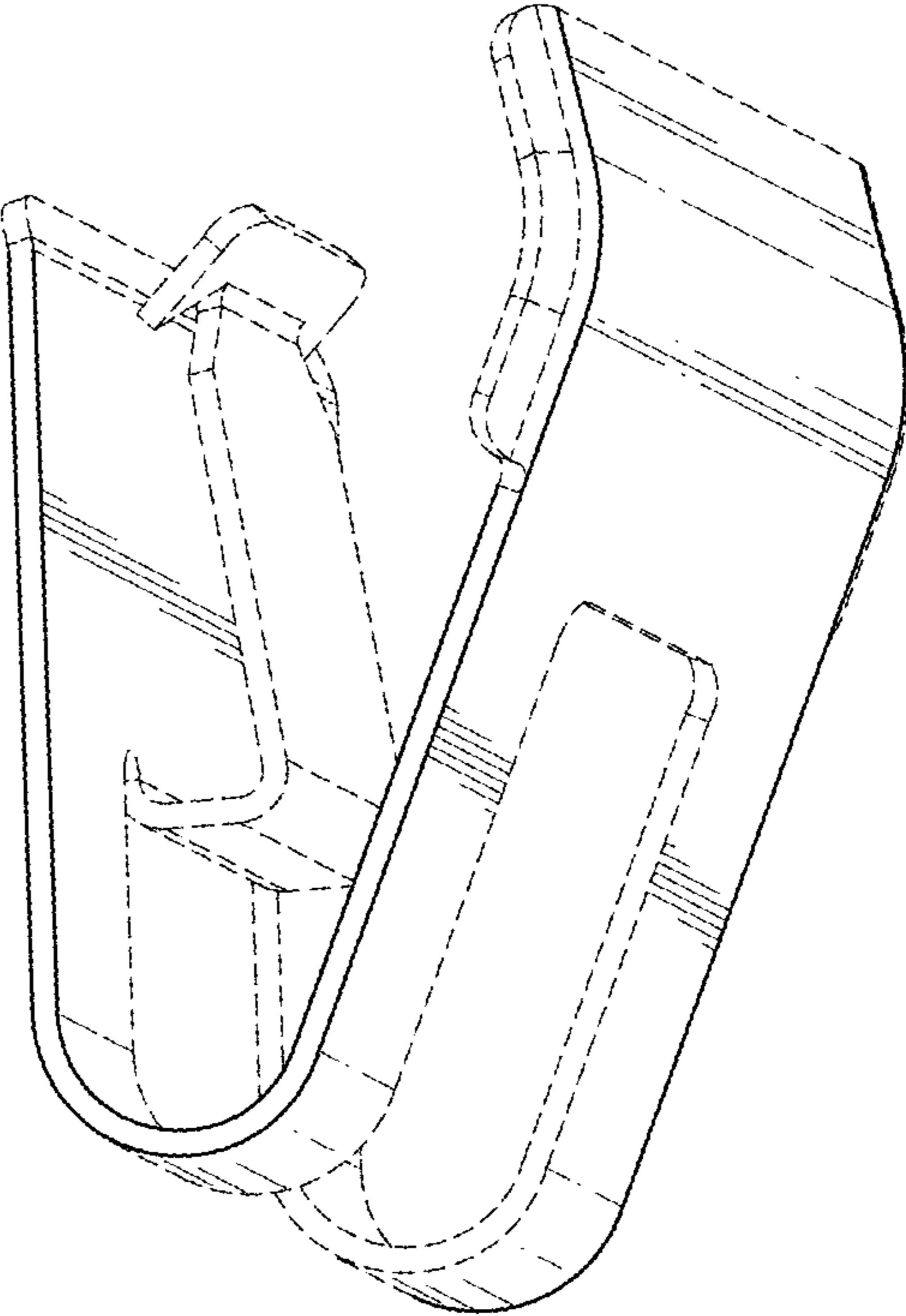


FIG. 9

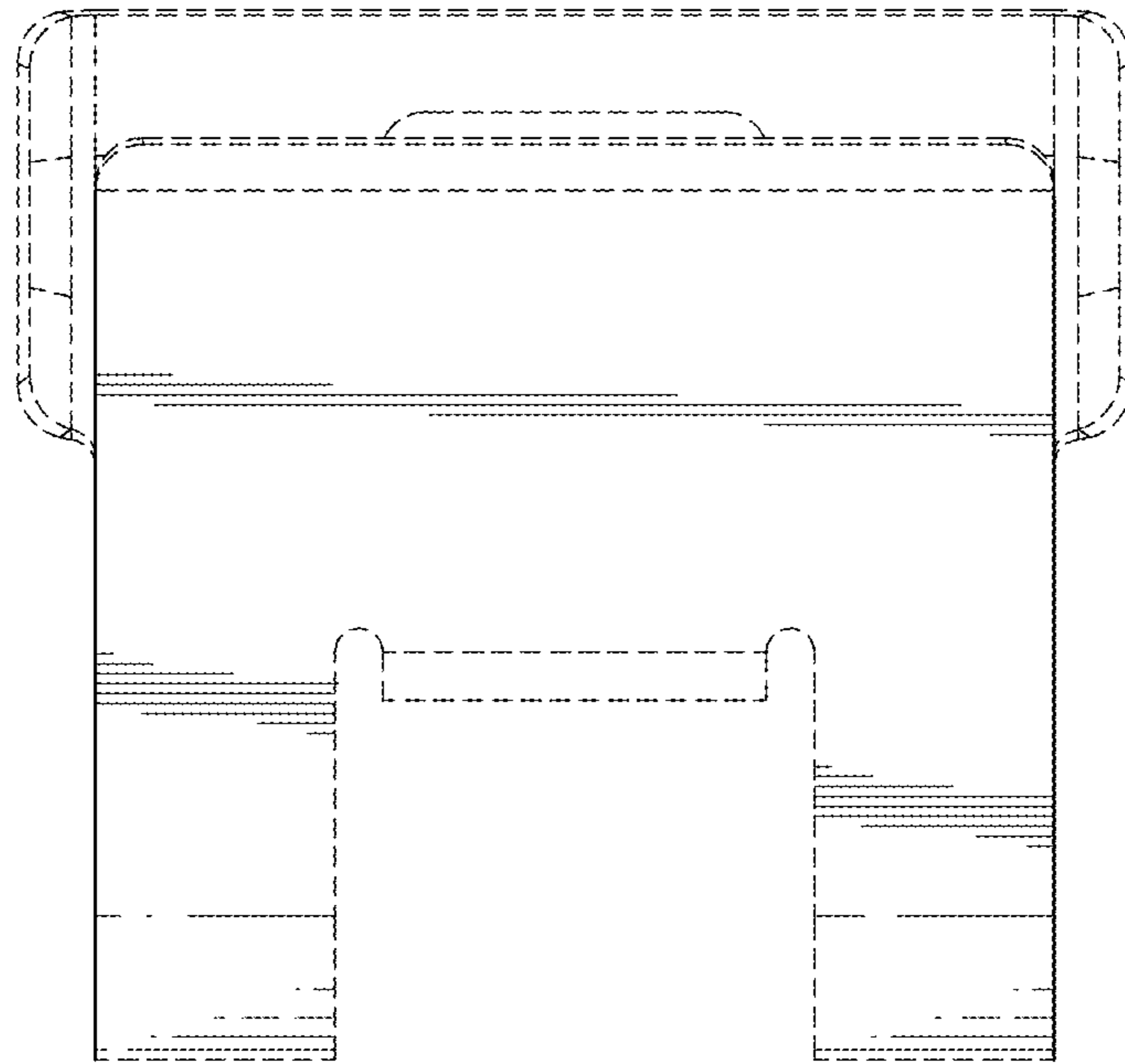


FIG. 10

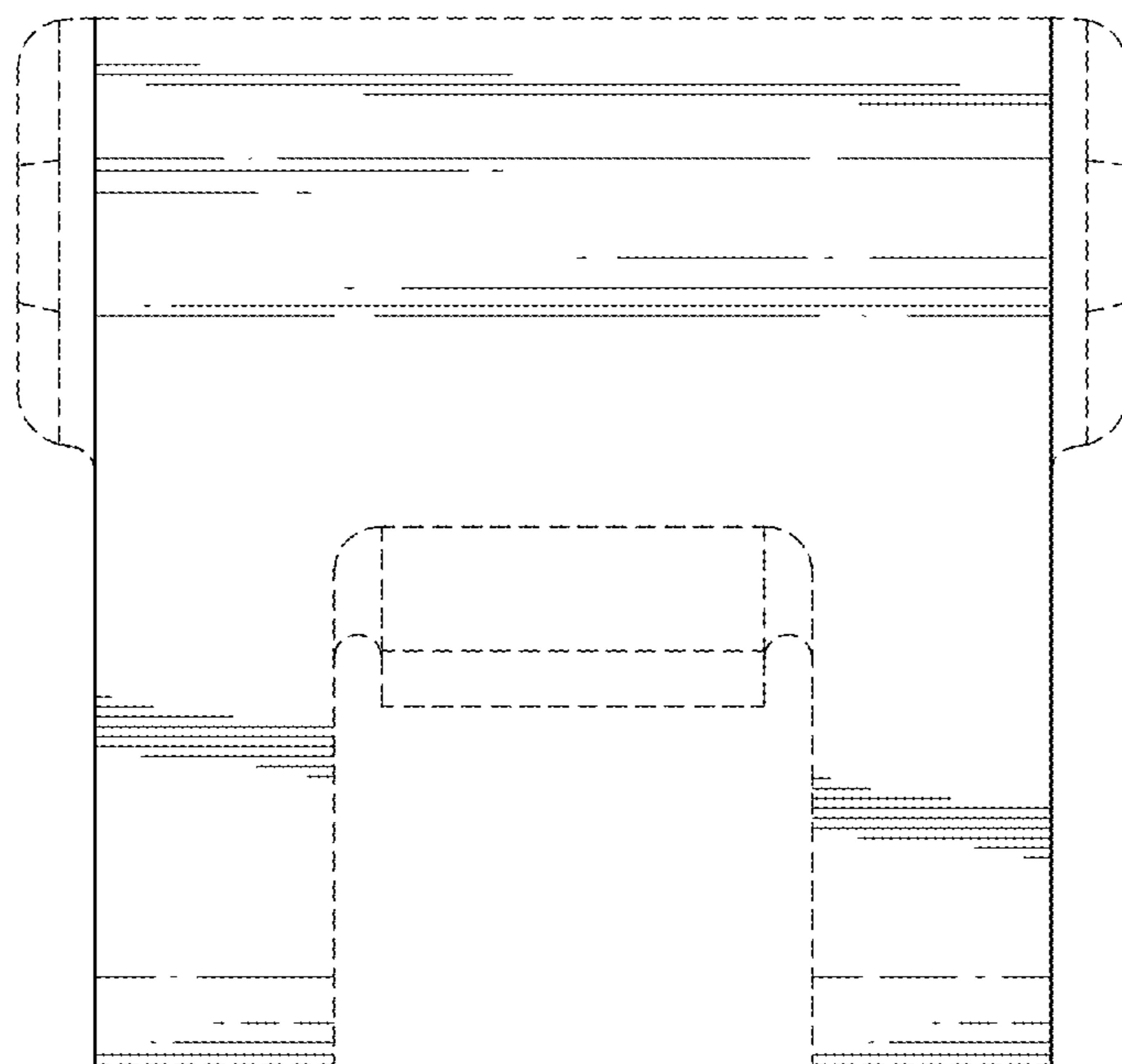


FIG. 11

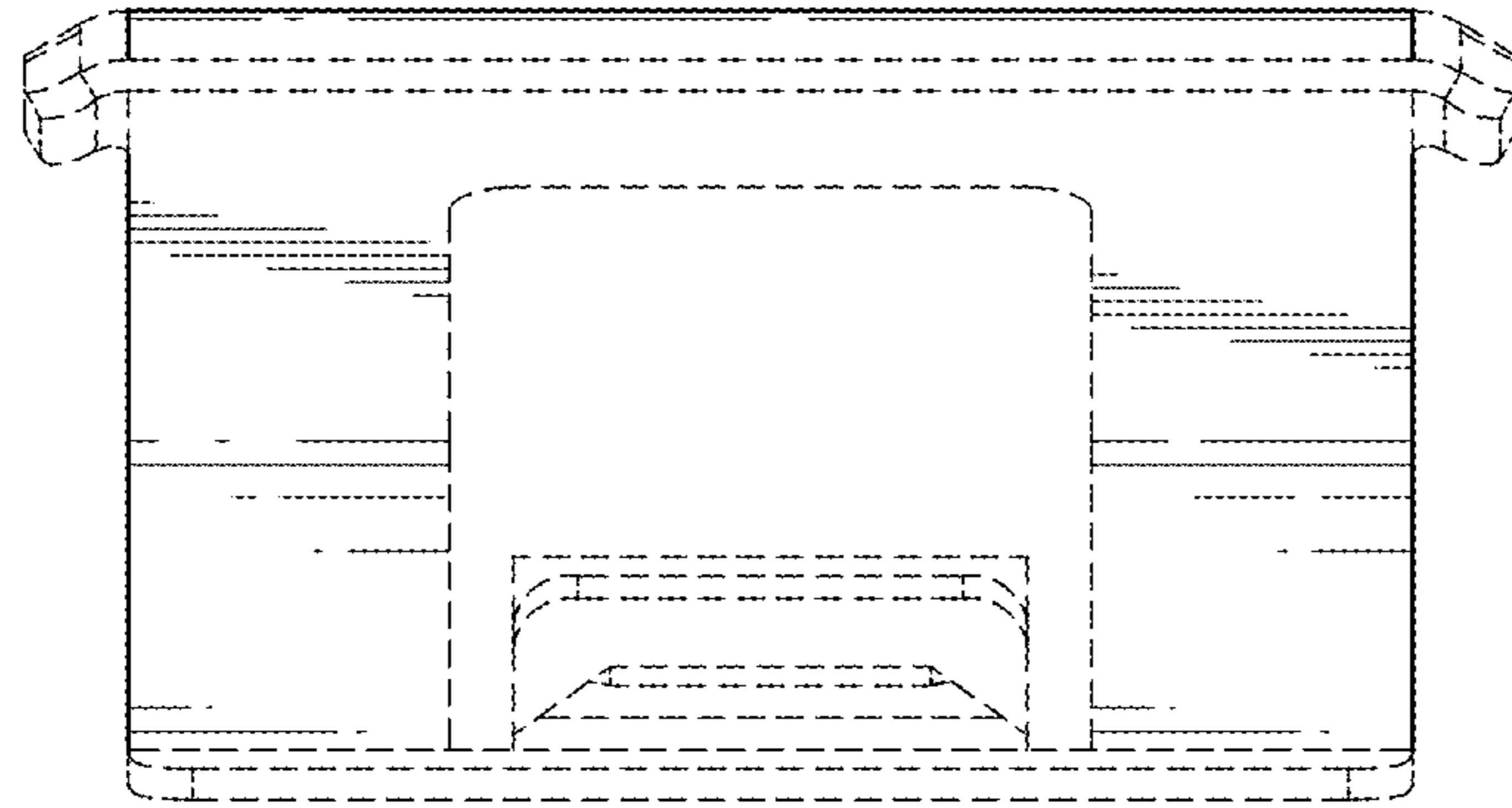


FIG. 12

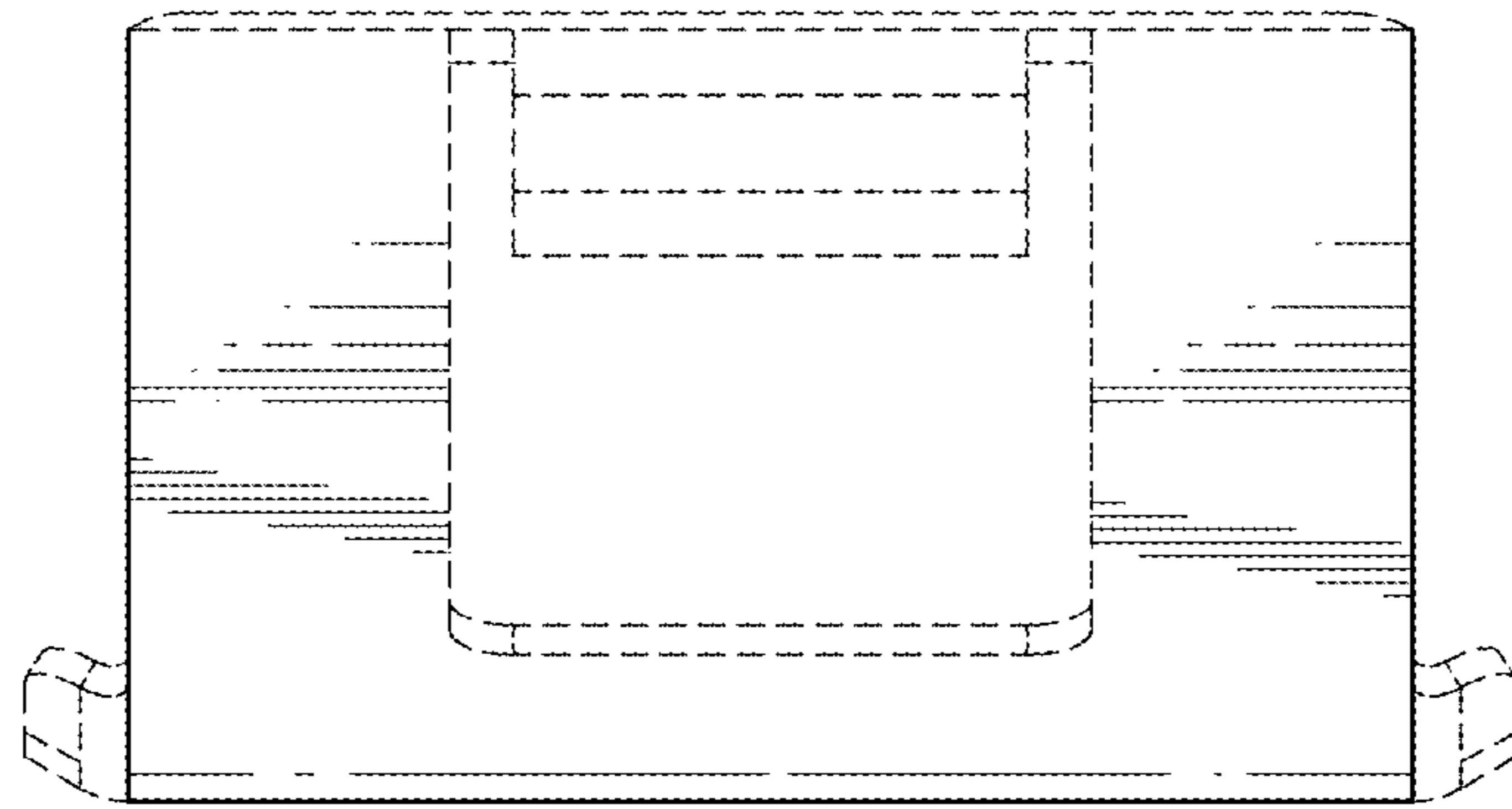


FIG. 13

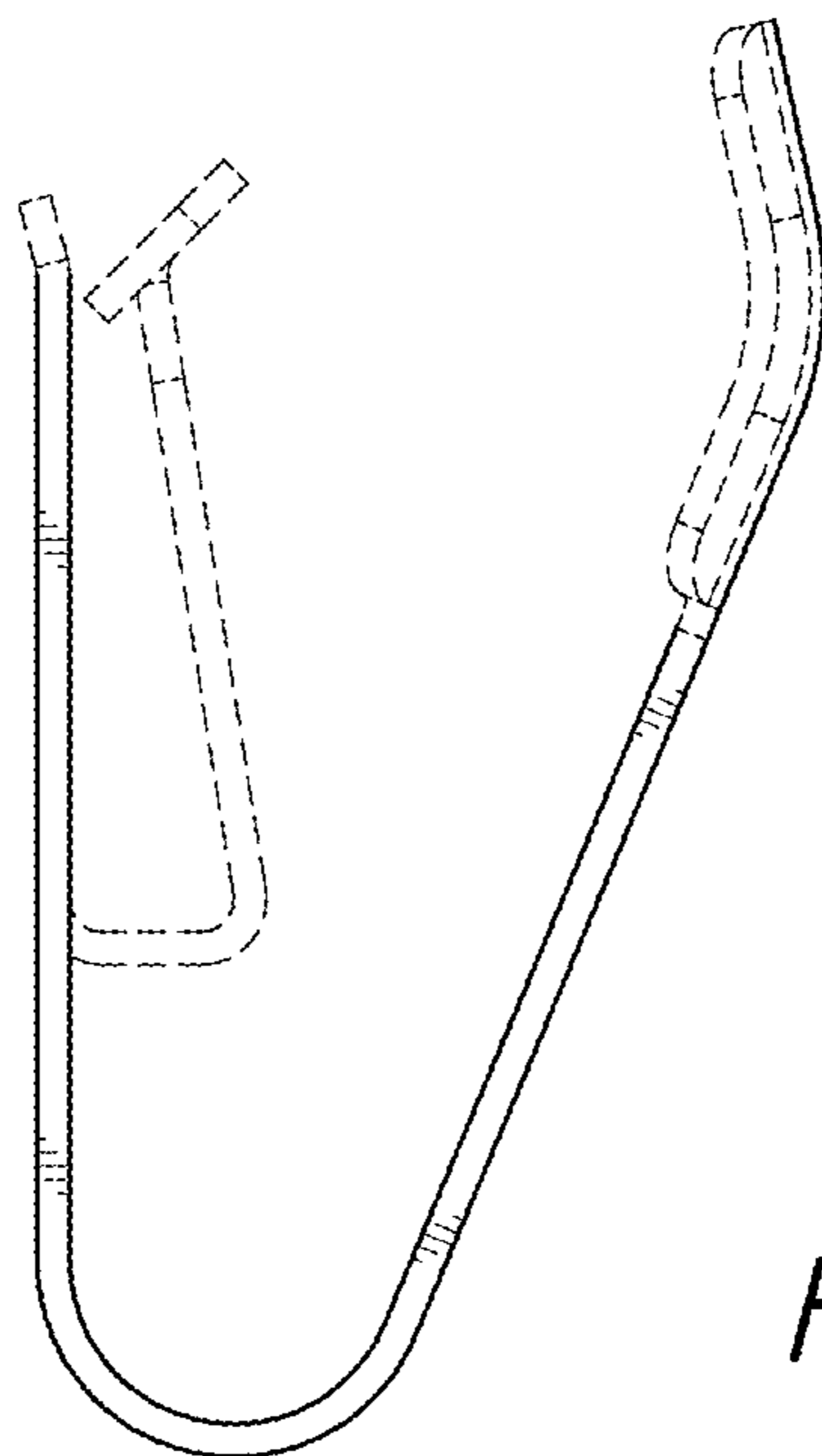


FIG. 14