



US00D772752S

(12) **United States Design Patent** (10) **Patent No.:** **US D772,752 S**
Weems et al. (45) **Date of Patent:** **** Nov. 29, 2016**

(54) **LANYARD**
(71) Applicant: **Origami Owl**, Chandler, AZ (US)
(72) Inventors: **Christian H. Weems**, Gilbert, AZ (US);
Tyson H. Basha, Chandler, AZ (US);
Zyad M. Kadri, Mesa, AZ (US);
David A. Tipp, Chandler, AZ (US)
(73) Assignee: **Origami Owl, LLC**, Chandler, AZ
(US)

D473,156 S * 4/2003 Sloot D11/79
D620,785 S * 8/2010 St. Germaine D8/395
D621,606 S * 8/2010 Marquardt D3/215
D625,214 S * 10/2010 Lebail D11/3
D634,232 S * 3/2011 Kelly D11/3
D676,618 S * 2/2013 Kalbach D30/152
D677,188 S * 3/2013 Kalbach D11/3
D677,189 S * 3/2013 Kalbach D11/3
D682,488 S * 5/2013 Kalbach D30/152
D699,147 S * 2/2014 Fissell D11/95
D722,519 S * 2/2015 Marchand D11/44
D725,537 S * 3/2015 Wellendorff D11/79
D737,132 S * 8/2015 Garcia D8/395

(**) Term: **14 Years**

(21) Appl. No.: **29/515,486**
(22) Filed: **Jan. 23, 2015**
(51) **LOC (10) Cl.** **11-01**
(52) **U.S. Cl.**
USPC **D11/79; D11/91**
(58) **Field of Classification Search**
USPC D11/1-50, 66, 79-92, 95, 98, 157, 198,
D11/200, 201, 206, 215; D8/394-396;
D20/22; D30/150-153, 156
CPC A44C 15/0035; A44C 15/005; A44C
15/002; A44C 15/0025; A44C 15/003;
A44C 9/00; A44C 7/00; A44C 27/008;
A44C 3/001; A44C 25/001; A44C 25/002;
A45D 8/36; G09F 21/02
See application file for complete search history.

(56) **References Cited**
U.S. PATENT DOCUMENTS
462,358 A * 11/1891 Knowles A47G 25/485
211/89.01
D49,184 S * 6/1916 Helm D11/215
D287,949 S * 1/1987 Bulgari D11/6
D385,415 S * 10/1997 Turbide D3/207
D392,583 S * 3/1998 Hoffman D11/7
5,842,256 A * 12/1998 Anscher A44B 99/00
24/170
D429,474 S * 8/2000 Stein D11/79

OTHER PUBLICATIONS

Origami Owl Locketts, posted at locketsandcharms.com, earliest date available Aug. 11, 2014, [online], acquired on Mar. 1, 2016. Available from Internet, <URLhttp://locketsandcharms.com/what-is-an-origami-owl-locket-ambassador-with-jennylou/>.*

(Continued)

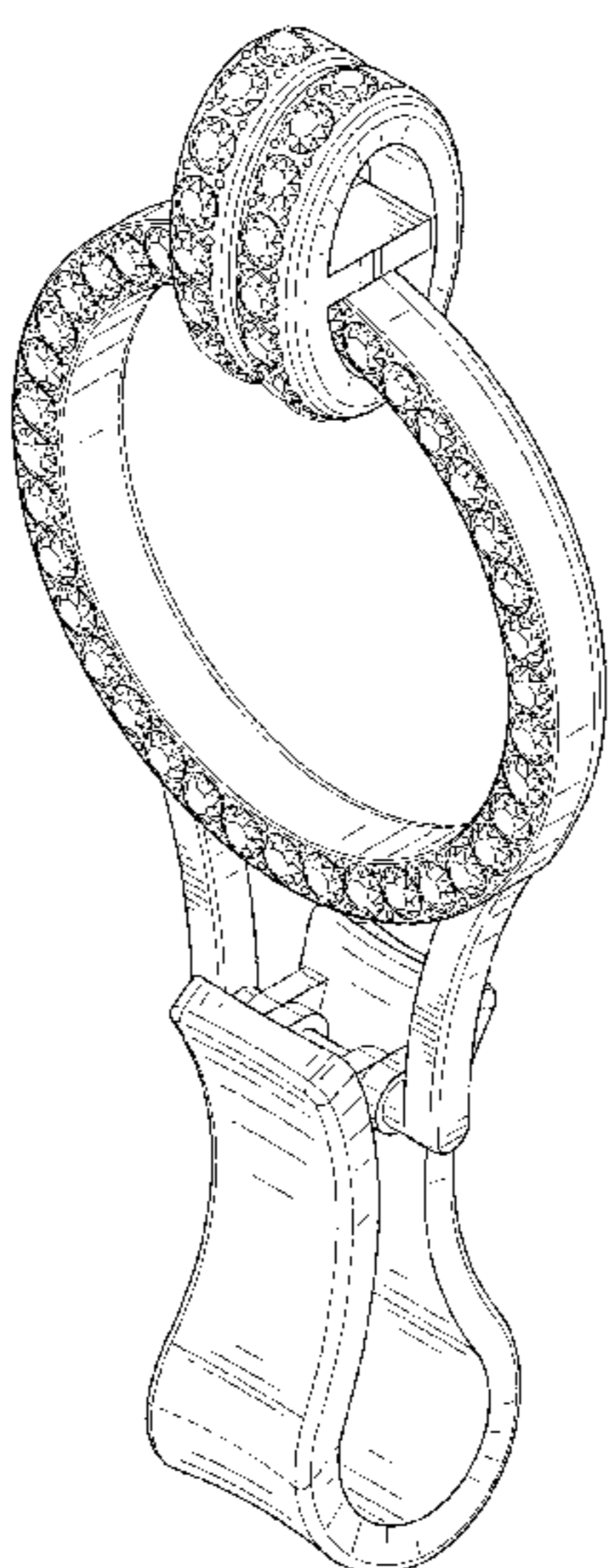
Primary Examiner — Garth Rademaker
Assistant Examiner — Aula Soroush
(74) *Attorney, Agent, or Firm* — Fenemore Craig, P.C.

(57) **CLAIM**
The ornamental design for a lanyard, as shown and described.

DESCRIPTION

FIG. 1 is a perspective view of a lanyard showing our new design;
FIG. 2 is a front elevation view thereof;
FIG. 3 is a rear elevation view thereof;
FIG. 4 is a right side elevation view thereof;
FIG. 5 is a left side elevation view thereof;
FIG. 6 is a top plan view thereof; and,
FIG. 7 is a bottom plan view thereof.
The broken lines in the drawings illustrate portions of the lanyard that form no part of the claimed design.

1 Claim, 5 Drawing Sheets



(56)

References Cited

OTHER PUBLICATIONS

Silver Eternity Lanyard With Swarovski Crystals, posted at origamiowl.com, earliest date available May 13, 2015, [online], acquired on Mar. 1, 2016. Available from Internet, <URL:

<https://www.origamiowl.com/product/41/CN5030/SilverEternityLanyardwithSwarovskiCrystals/>>.*

Lanyard Locket, posted at whoodatowljewelry.wordpress.com, earliest date available Aug. 10, 2014, [online], acquired on Mar. 1, 2016. Available from Internet, <URL: <https://whoodatowljewelry.wordpress.com/tag/lanyard-locket/>>.*

* cited by examiner

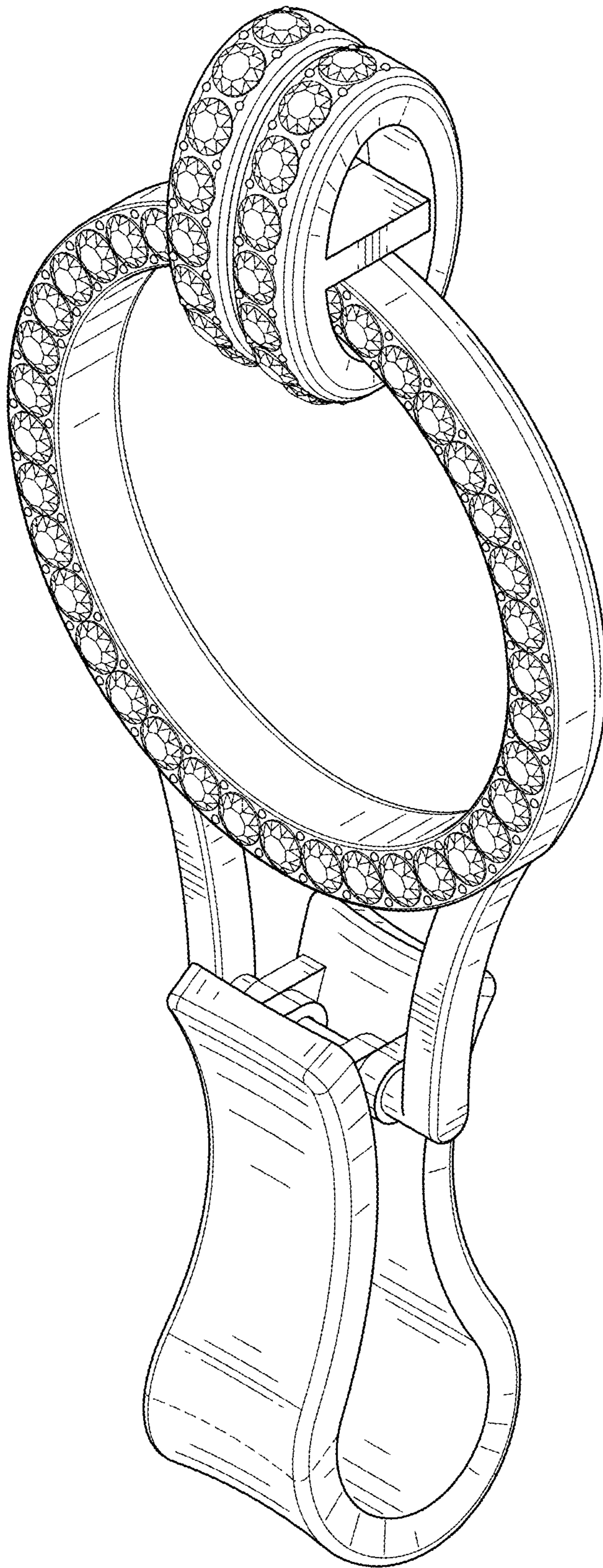


FIG. 1

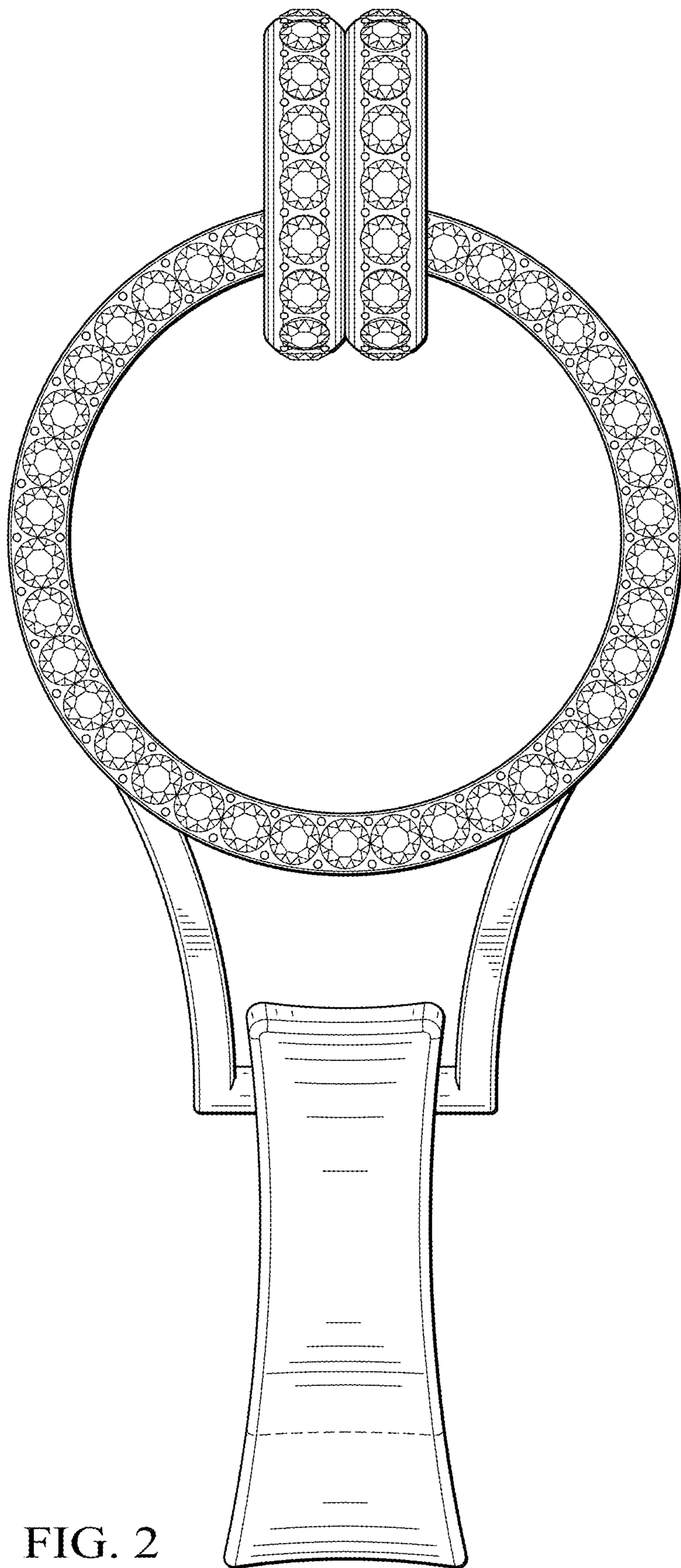


FIG. 2

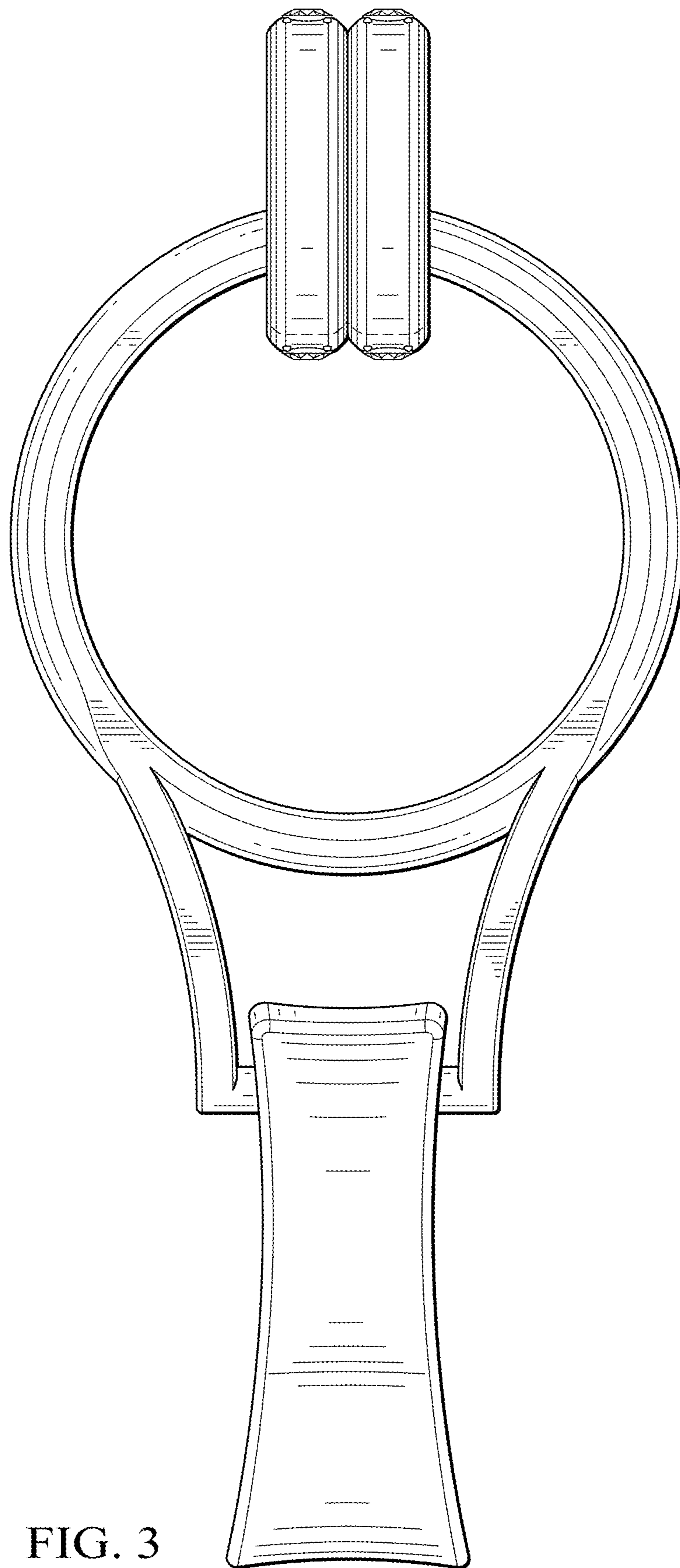


FIG. 3

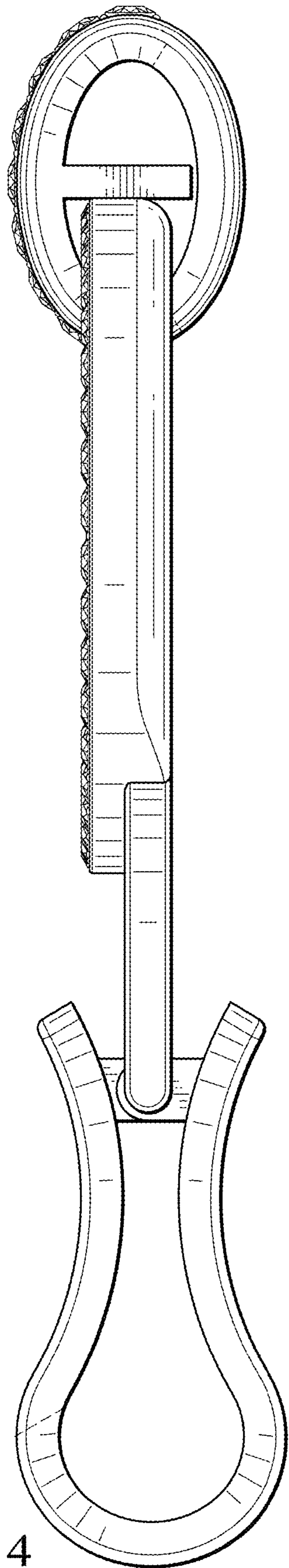


FIG. 4

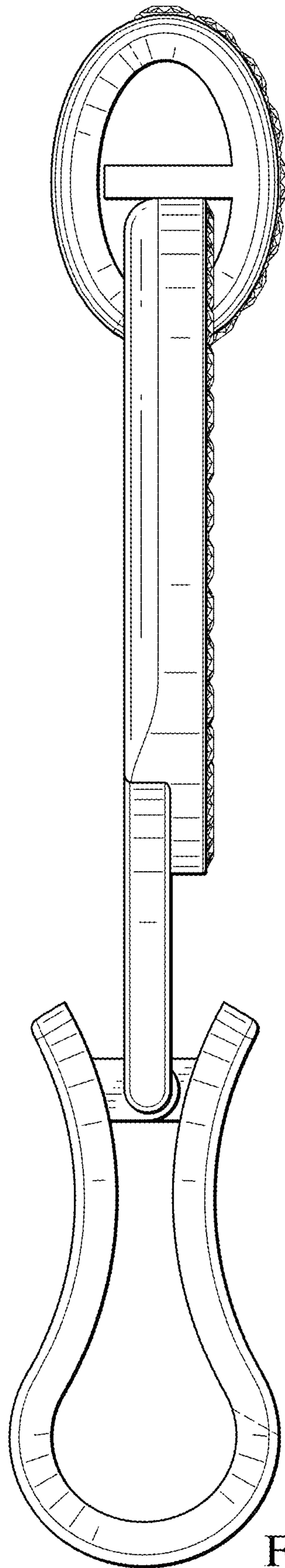


FIG. 5

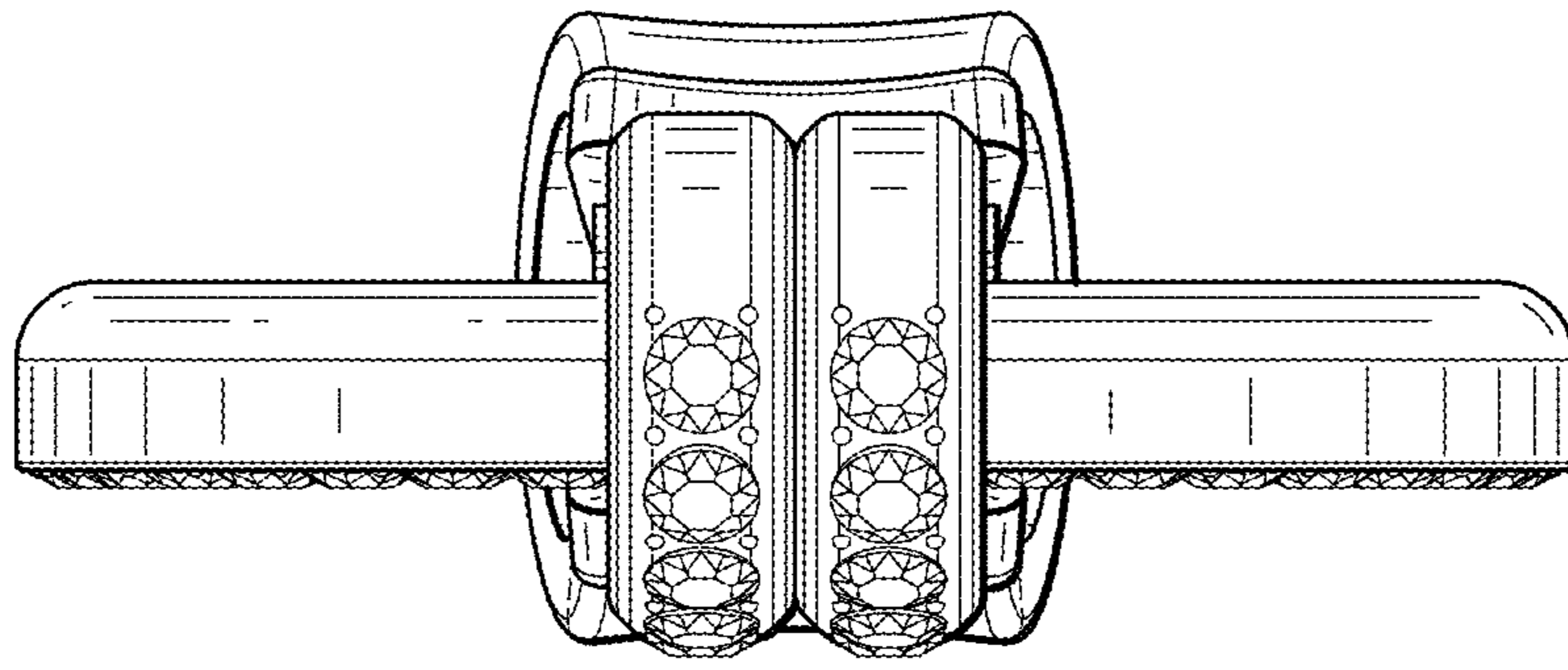


FIG. 6

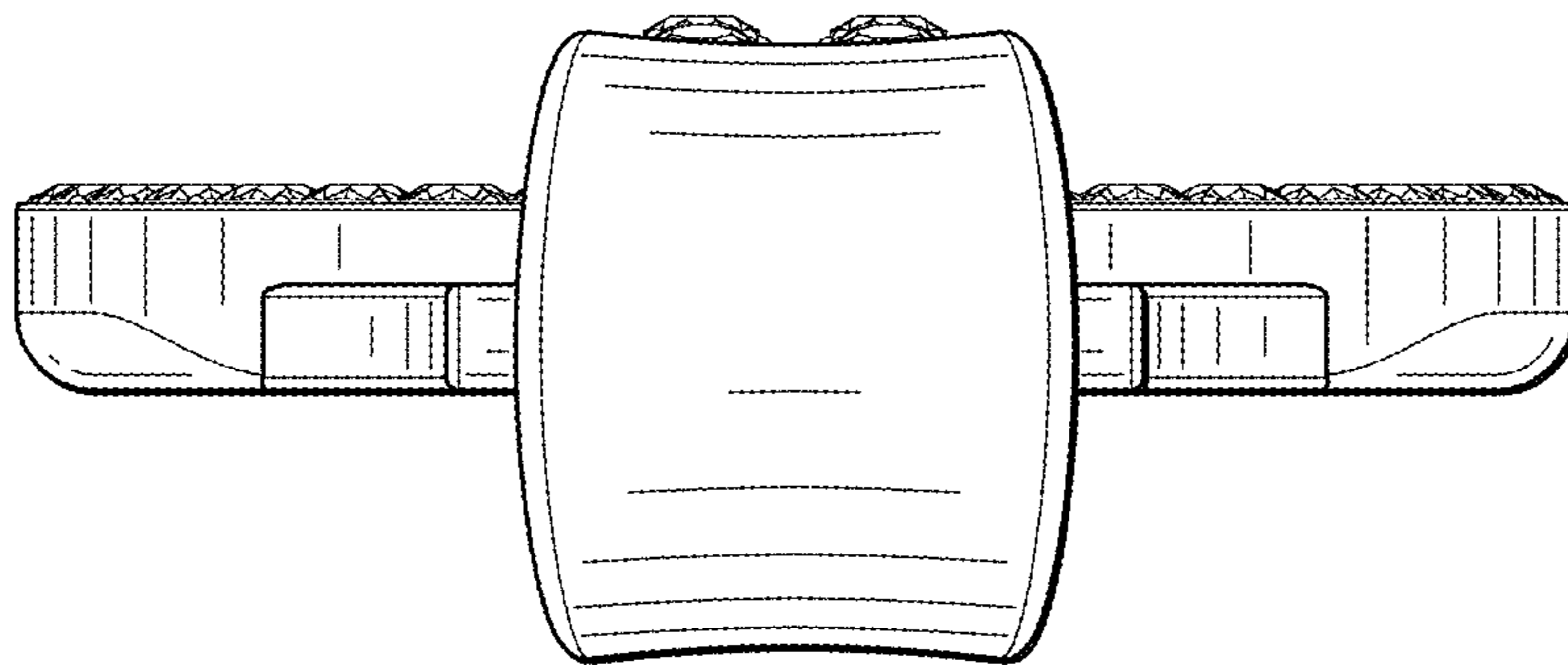


FIG. 7