



US00D772750S

(12) **United States Design Patent** (10) **Patent No.:** **US D772,750 S**
Saldana (45) **Date of Patent:** **** Nov. 29, 2016**

(54) **COMBINATION DIGITAL AND ANALOG TIMEPIECE FACE**

(71) Applicant: **Adam Saldana**, Washington, MI (US)

(72) Inventor: **Adam Saldana**, Washington, MI (US)

(**) Term: **14 Years**

(21) Appl. No.: **29/513,708**

(22) Filed: **Jan. 5, 2015**

(51) **LOC (10) Cl.** **10-07**

(52) **U.S. Cl.**
 USPC **D10/126**

(58) **Field of Classification Search**
 USPC D10/30-39, 1-29, 122-132; 368/10, 368/15-18, 21, 28, 37, 80, 223, 228, 232, 368/276, 277, 281, 282, 285, 294, 295, 308, 368/319
 CPC G04B 17/00; G04B 17/02; G04B 17/005; G04B 17/285; G04B 37/00; G04B 37/0008; G04B 37/0058; G04B 45/00; G04B 45/038; G04B 45/0069; G04B 45/0076; G04B 45/02; G04B 29/00

See application file for complete search history.

D252,194 S * 6/1979 Day D10/125
 D257,963 S * 1/1981 Sticker
 D266,318 S * 9/1982 Noguchi D10/123
 D271,383 S * 11/1983 Cuccia D10/126
 D293,658 S * 1/1988 Hankinson D10/126
 D344,908 S * 3/1994 Millen D10/126
 D353,346 S * 12/1994 Konradsheim D10/124
 D359,704 S * 6/1995 Dexter D10/126
 D458,150 S * 6/2002 Chan D10/24
 D560,535 S * 1/2008 Solomon D10/126
 D560,536 S * 1/2008 Solomon D10/126
 D633,815 S * 3/2011 Tan D10/126
 D653,146 S * 1/2012 Bodino D10/125
 D661,612 S * 6/2012 Hsu D10/125
 D671,026 S * 11/2012 Thurau D10/126

* cited by examiner

Primary Examiner — Susan Bennett Hattan
Assistant Examiner — Jennifer Wright
 (74) *Attorney, Agent, or Firm* — Husch Blackwell LLP

(57) **CLAIM**
 The ornamental design for a combination digital and analog timepiece face, as shown and described.

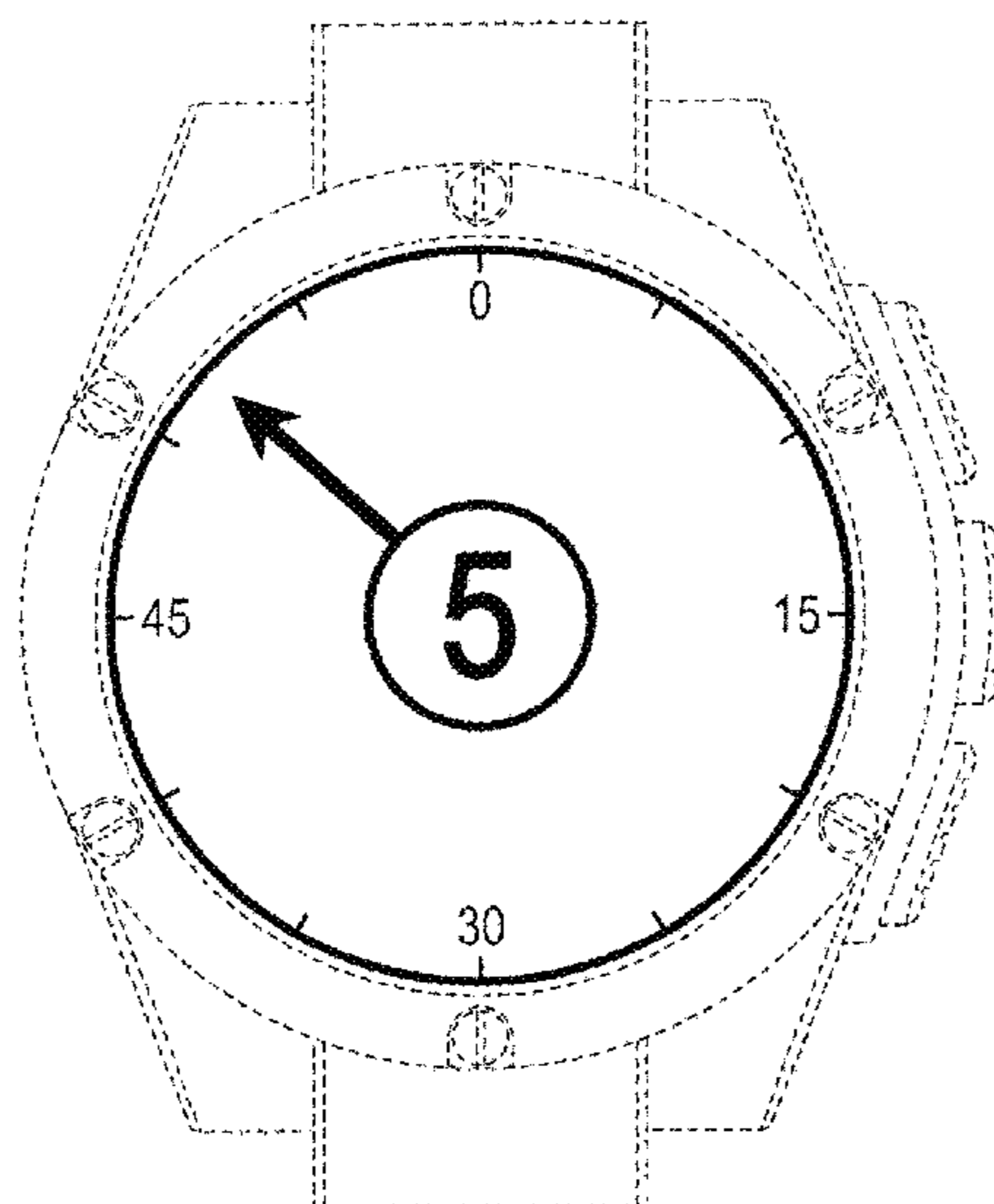
DESCRIPTION

FIG. 1 is a front elevational view of a first embodiment of a combination digital and analog timepiece face
 FIG. 2 is a front elevational view of the first embodiment of a combination digital and analog timepiece face
 FIG. 3 is a front elevational view of the first embodiment of a combination digital and analog timepiece face
 FIG. 4 is a front elevational view of a second embodiment of a combination digital and analog timepiece face; and,
 FIG. 5 is a front elevational view of a third embodiment of a combination digital and analog timepiece face.
 The broken lines in the drawings represent environmental subject matter and form no part of the claimed invention. The timepiece face is flat. The time of 5:52 depicted in the figures is merely representative of a single time of day.

1 Claim, 3 Drawing Sheets

(56) **References Cited**
 U.S. PATENT DOCUMENTS

2,191,020 A * 2/1940 Kaufmann A44C 5/145 224/177
 D125,764 S * 3/1941 Graesser D10/1
 D133,206 S * 7/1942 Ericksen D10/126
 D146,101 S * 12/1946 Allen D10/126
 D165,410 S * 12/1951 Babel D10/25
 D217,728 S * 6/1970 Wilson D10/22
 D220,050 S * 3/1971 Yannich D10/124
 D242,694 S 12/1976 Thompson et al.
 D243,076 S 1/1977 Thompson et al.
 D245,406 S * 8/1977 Webb D10/126
 4,056,156 A * 11/1977 Dayton G01G 19/44 177/209



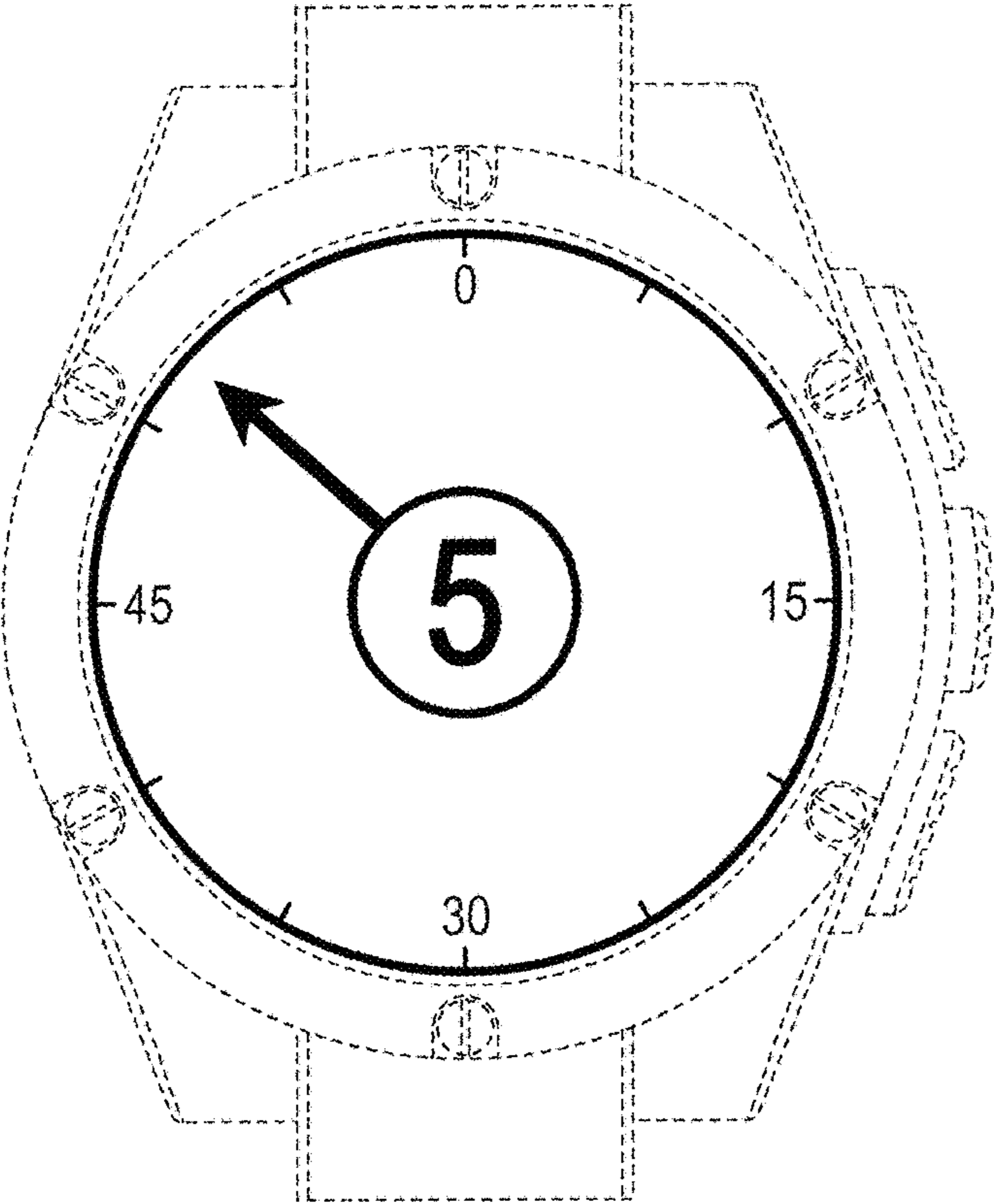


FIG. 1

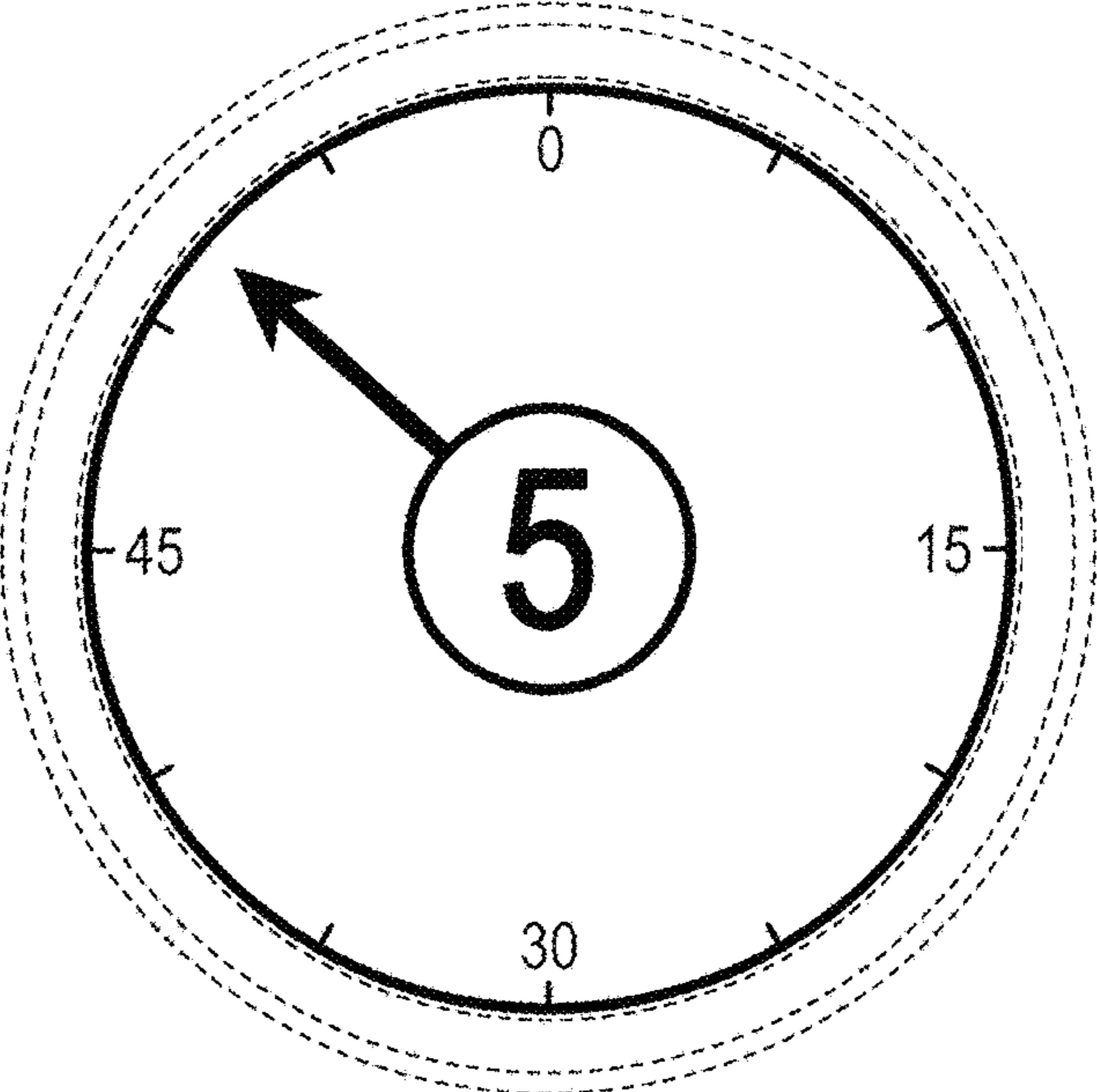


FIG. 2

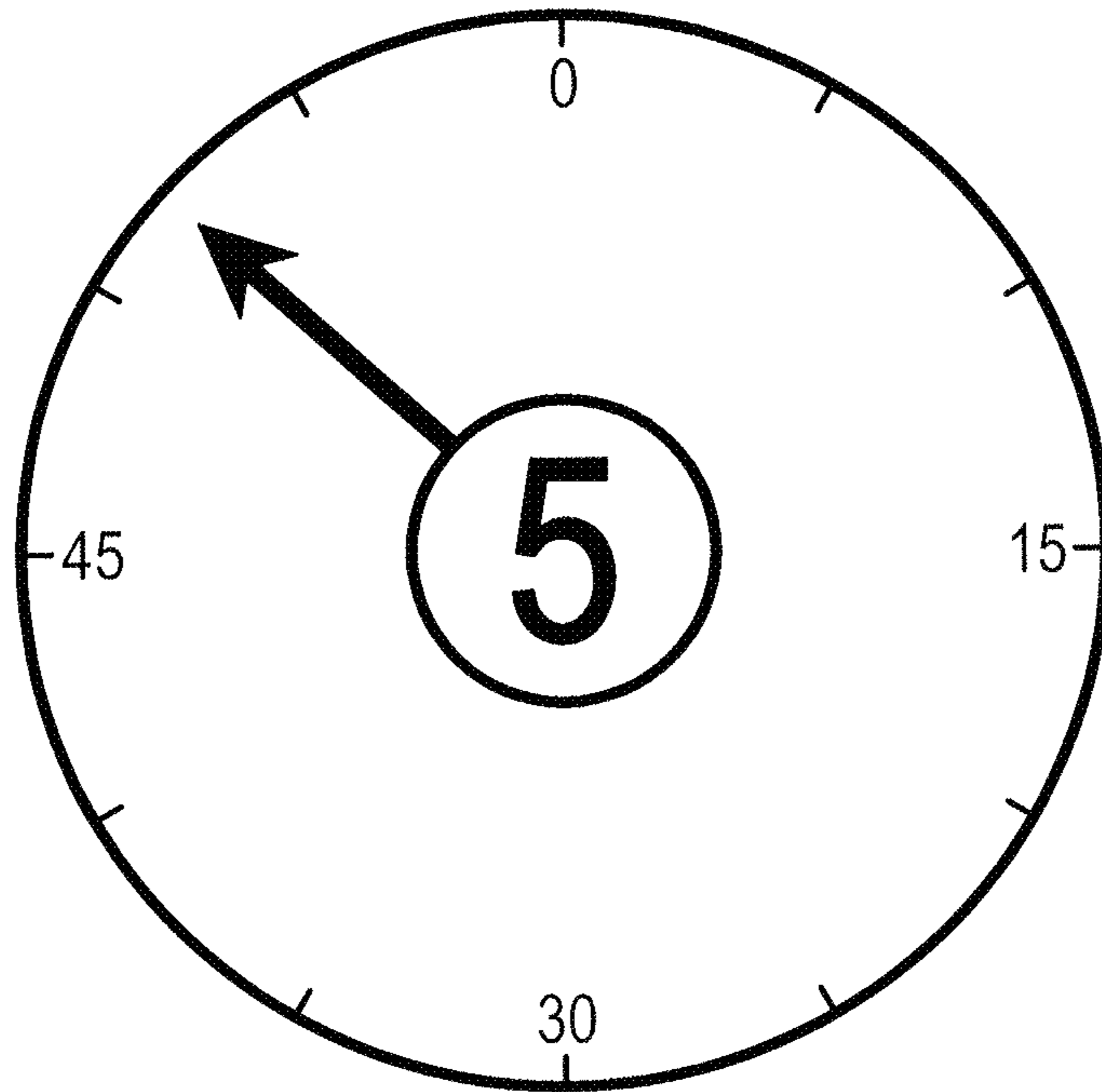


FIG. 3

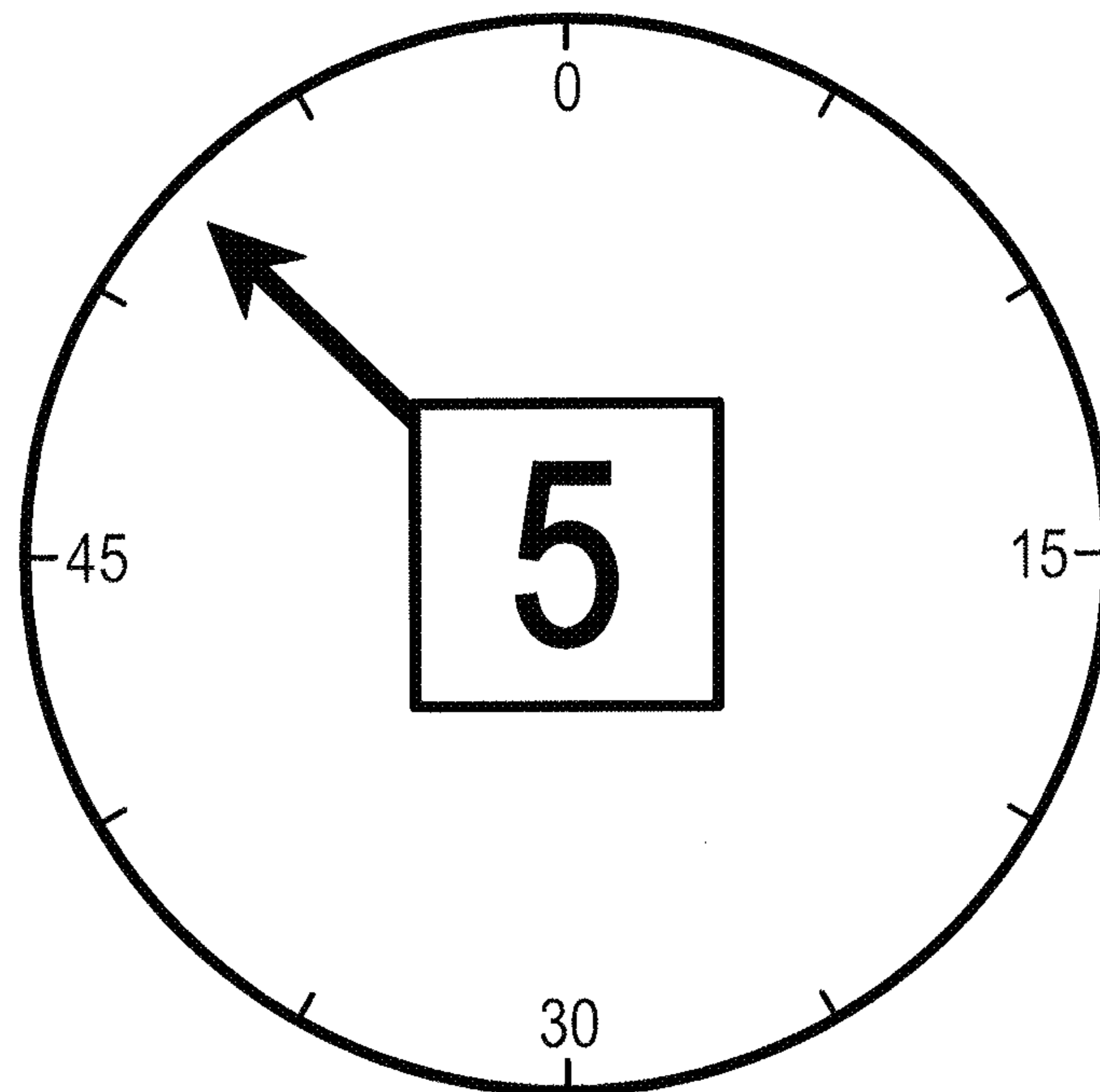


FIG. 4

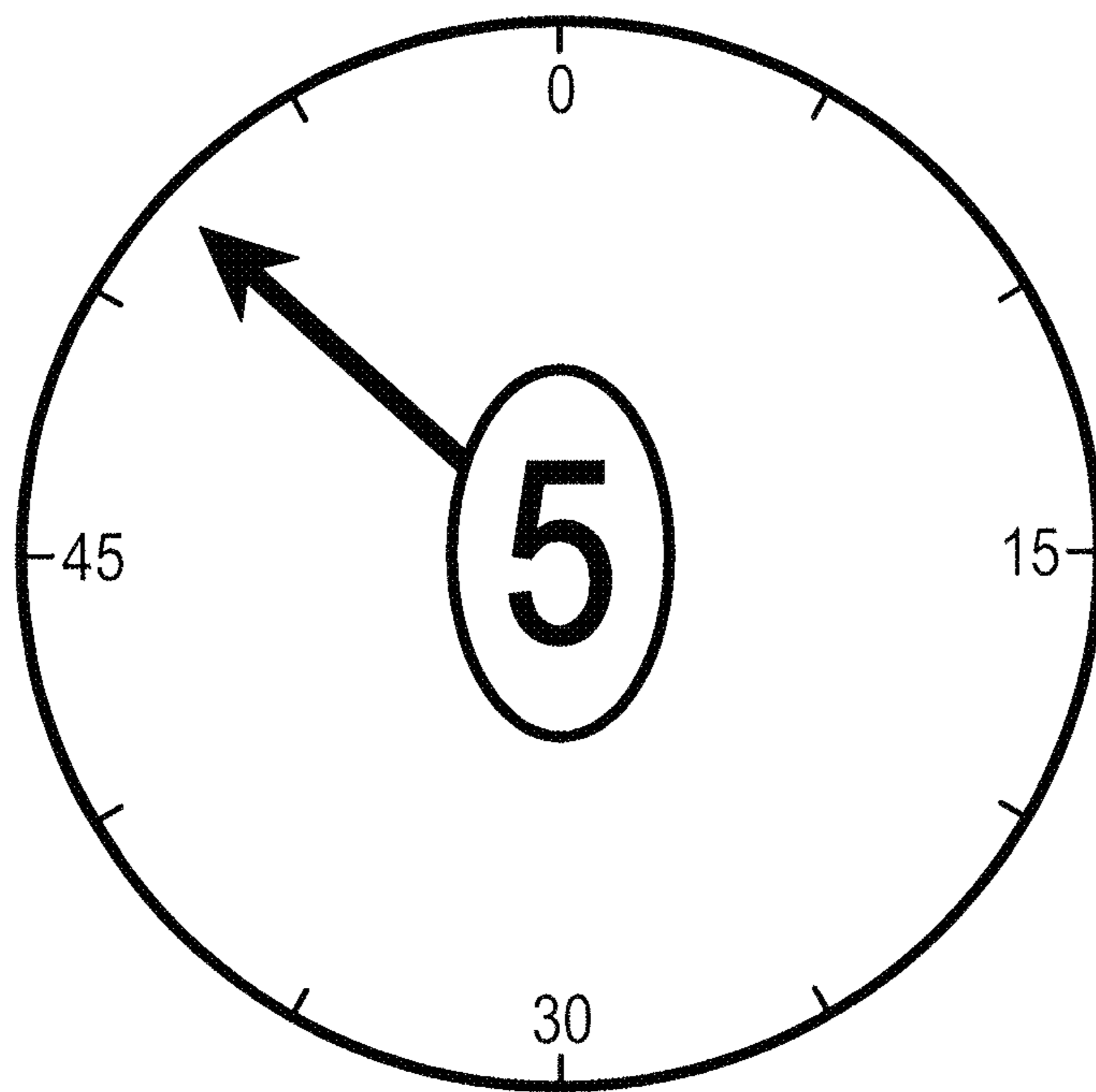


FIG. 5