



US00D772745S

(12) **United States Design Patent**
Henne et al.

(10) **Patent No.:** **US D772,745 S**

(45) **Date of Patent:** **** Nov. 29, 2016**

(54) **ELECTRONIC DEVICE**

(71) Applicant: **Garmin Switzerland GmbH**,
Schaffhausen (CH)

(72) Inventors: **Peter J. Henne**, Overland Park, KS
(US); **Stephen W. Connor**, Overland
Park, KS (US); **Scott H. Wrenick**,
Merriam, KS (US)

(73) Assignee: **Garmin Switzerland GmbH** (CH)

(**) Term: **15 Years**

(21) Appl. No.: **29/529,519**

(22) Filed: **Jun. 8, 2015**

(51) **LOC (10) Cl.** **10-04**

(52) **U.S. Cl.**
USPC **D10/98; D10/78; D10/70**

(58) **Field of Classification Search**
USPC D10/47, 65, 70, 78, 98
CPC G01S 2007/027; G01S 2007/028;
G01S 2007/032; G01S 7/481; G01S 7/4811;
G01S 7/4812; G01S 7/4813; G01S 7/4814;
G01S 7/4815; G01S 7/4816; G01S 7/4817;
G01S 7/4818; G01S 7/52079; G01S 7/521;
G01S 7/523; G01S 7/524

See application file for complete search history.

(56) **References Cited**

U.S. PATENT DOCUMENTS

7,504,983 B2 * 3/2009 Chen B62J 11/00
342/20
D621,731 S * 8/2010 Goody D10/65

D632,984 S 2/2011 Register et al. D10/65
8,627,990 B2 * 1/2014 Nakajima B62J 9/008
224/420
D720,636 S * 1/2015 Au Yeung D10/70
D727,768 S * 4/2015 Nagano D10/98

OTHER PUBLICATIONS

Printout from <http://www.dcrainmaker.com/2014/07/hands-on-backtracker-radar.html>, published prior to Jun. 8, 2015.

* cited by examiner

Primary Examiner — Antoine D Davis

(74) *Attorney, Agent, or Firm* — Samuel M. Korte;
Maxwell M. Ali

(57) **CLAIM**

The ornamental design for an electronic device, as shown and described.

DESCRIPTION

FIG. 1 is a front perspective view of an electronic device according to embodiments of the present invention; FIG. 2 is a rear perspective view of the electronic device; FIG. 3 is a top view of the electronic device; FIG. 4 is a front view of the electronic device; FIG. 5 is a bottom view of the electronic device; FIG. 6 is a rear view of the electronic device; FIG. 7 is a left side view of the electronic device; and, FIG. 8 is a right side view of the electronic device. The broken lines shown in FIGS. 1 through 8 represent portions of the electronic device that form no part of the claimed design.

1 Claim, 3 Drawing Sheets

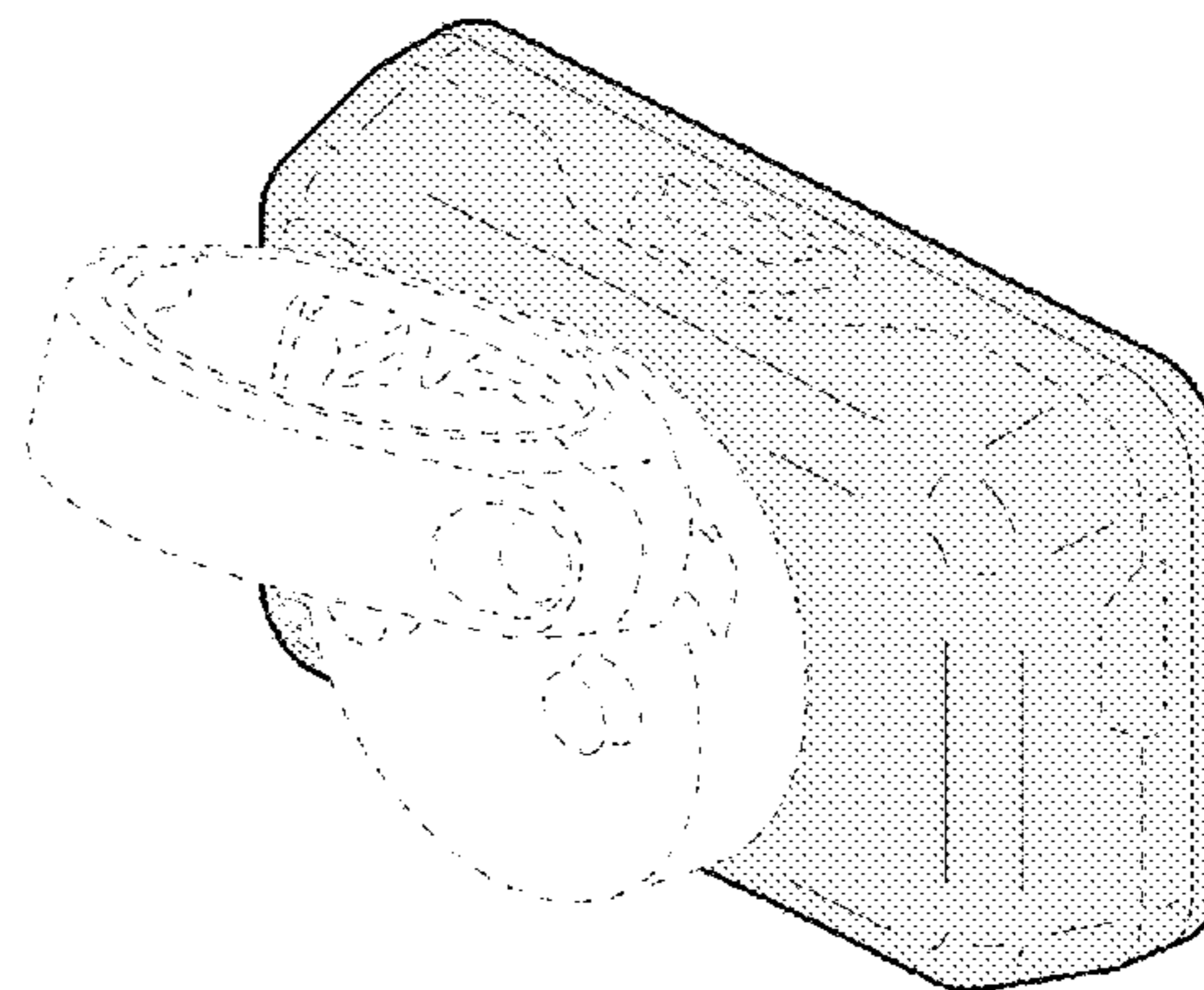
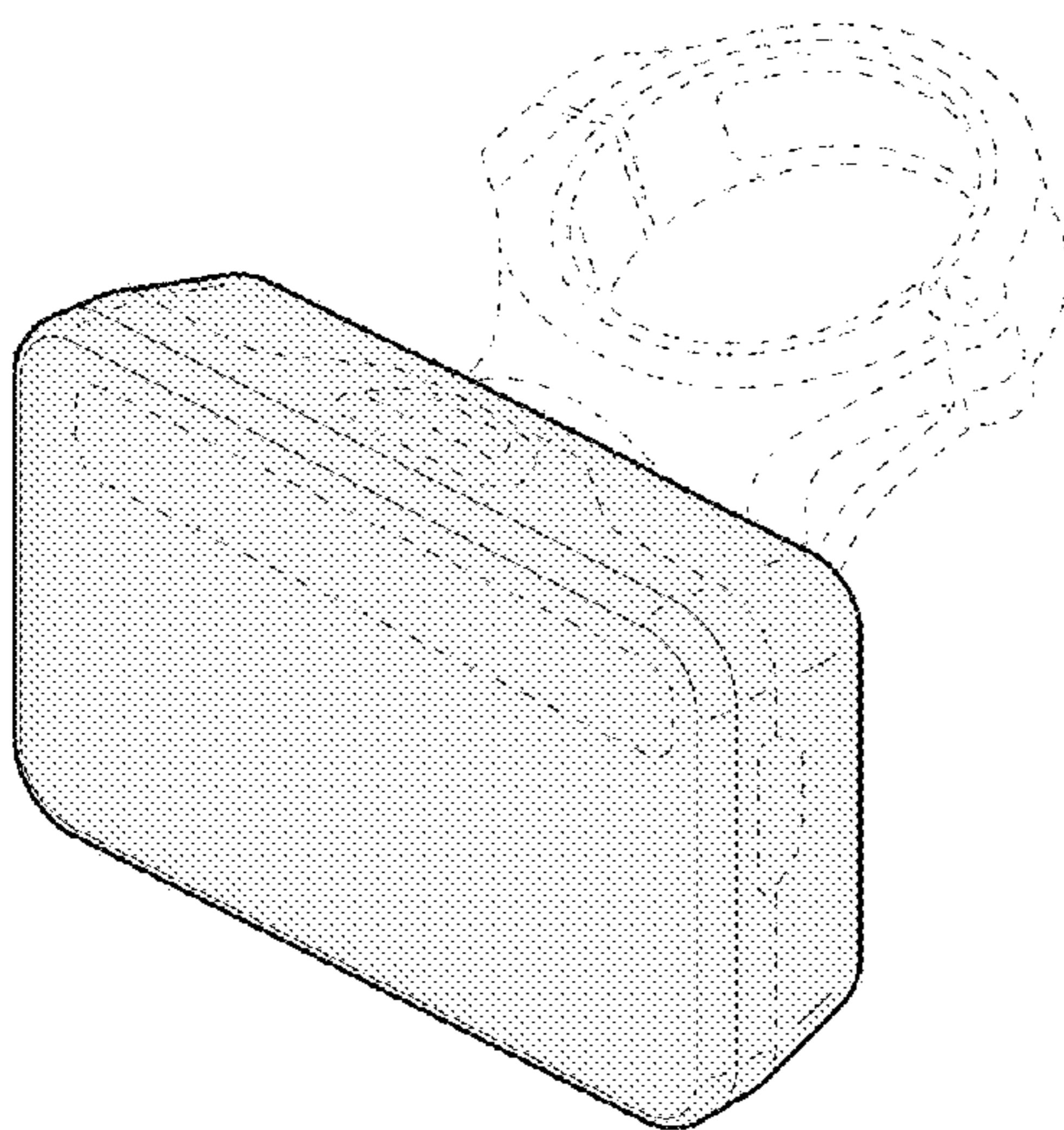


Fig. 1

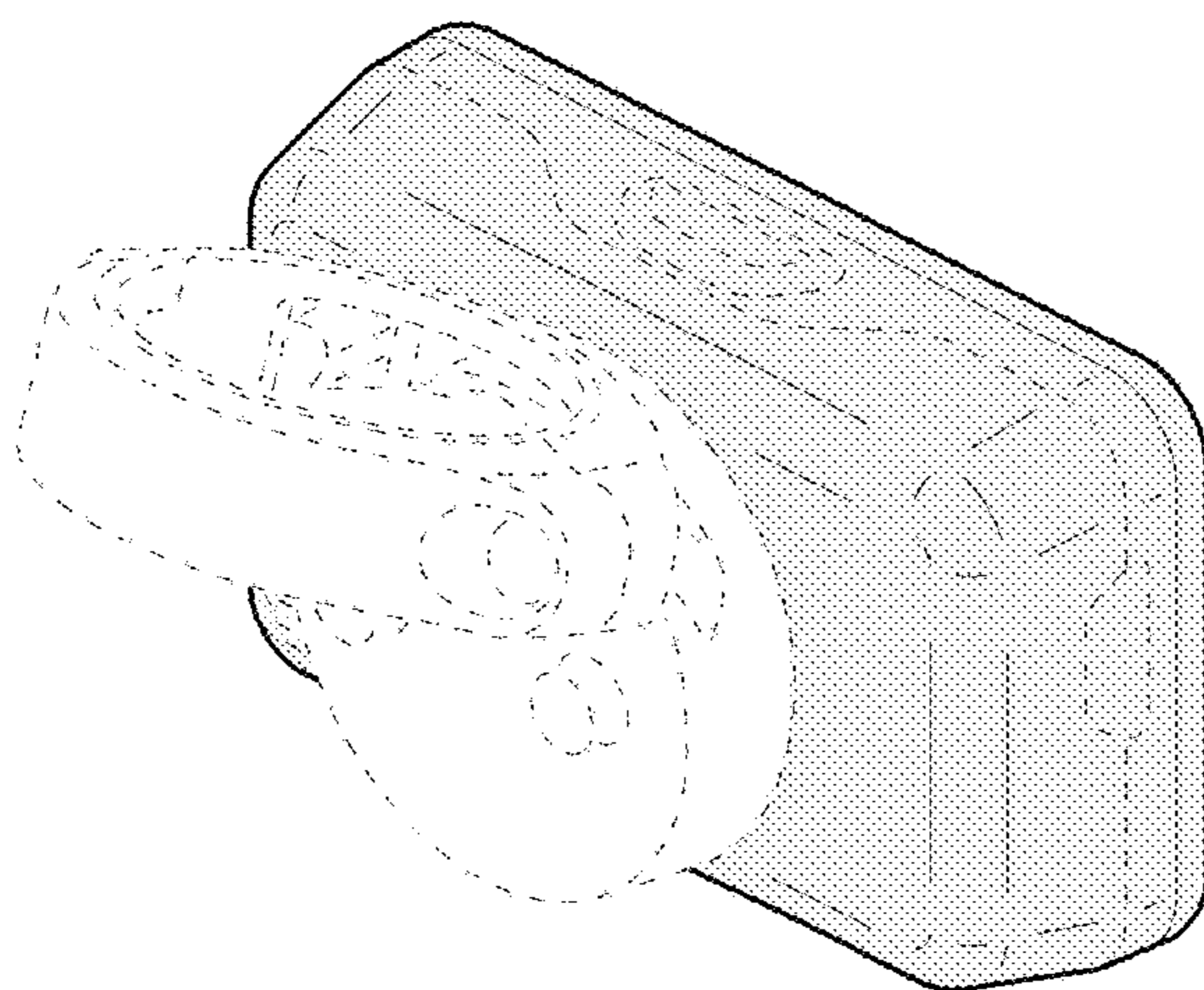
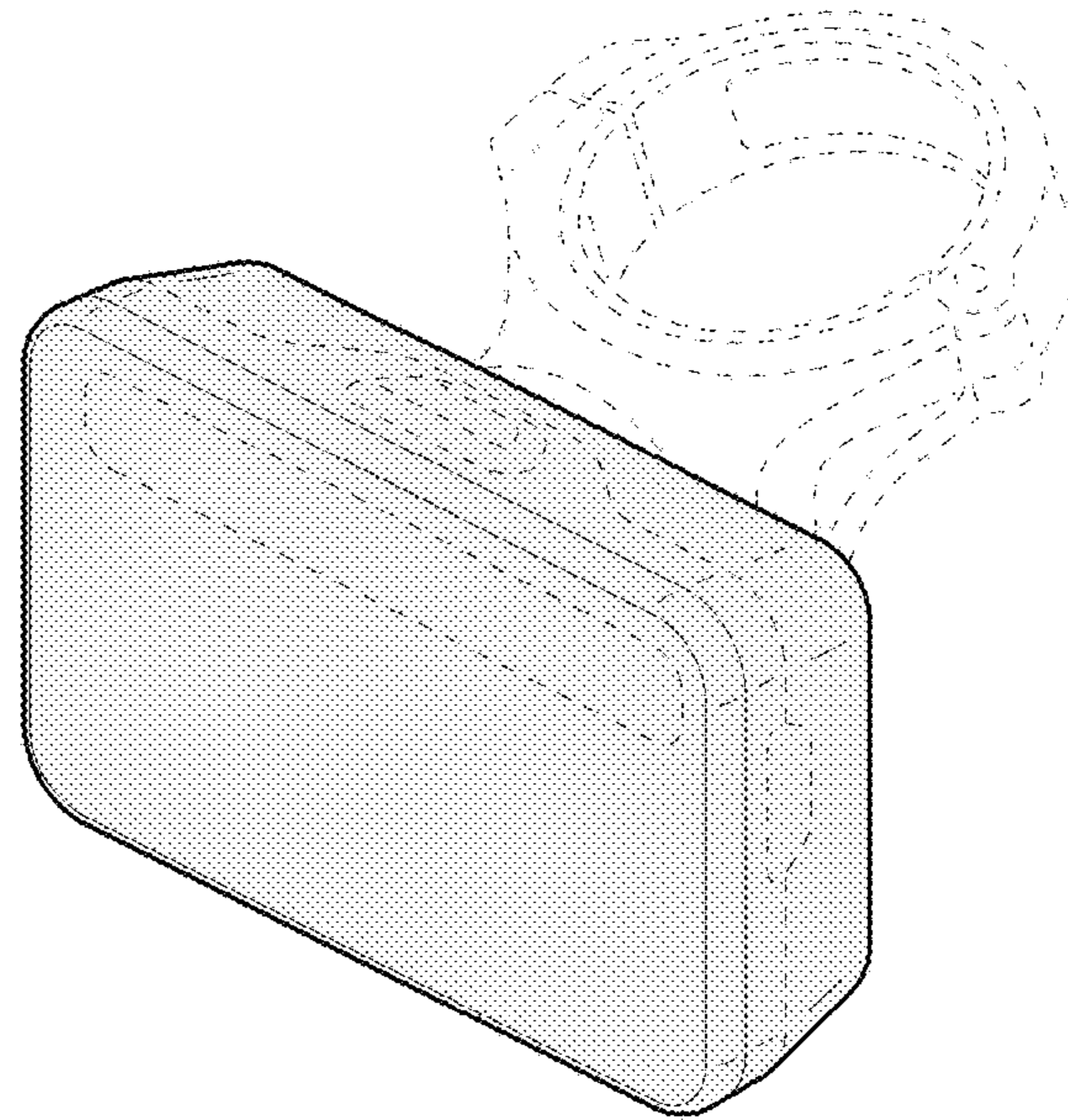


Fig. 2

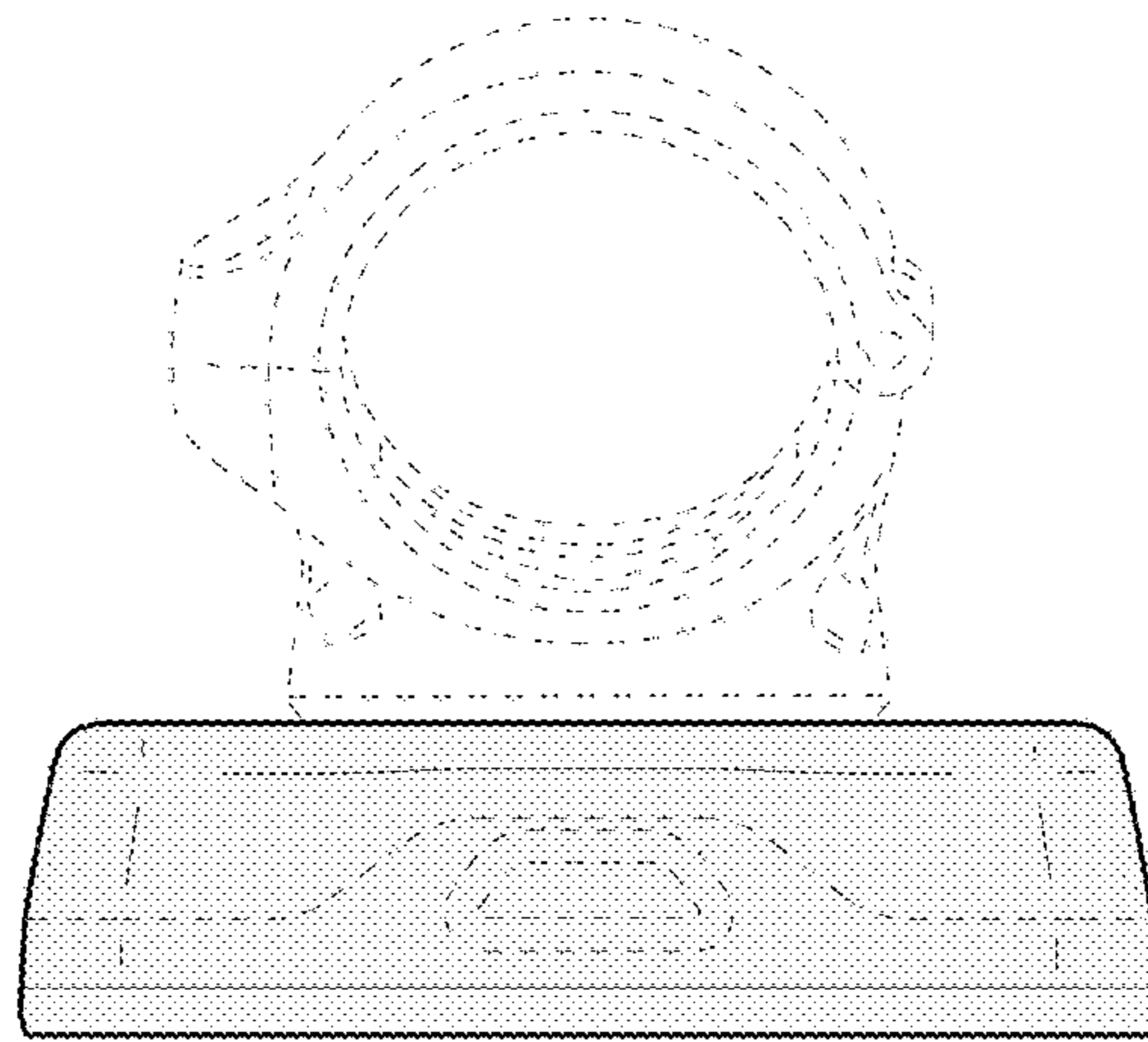


Fig. 3

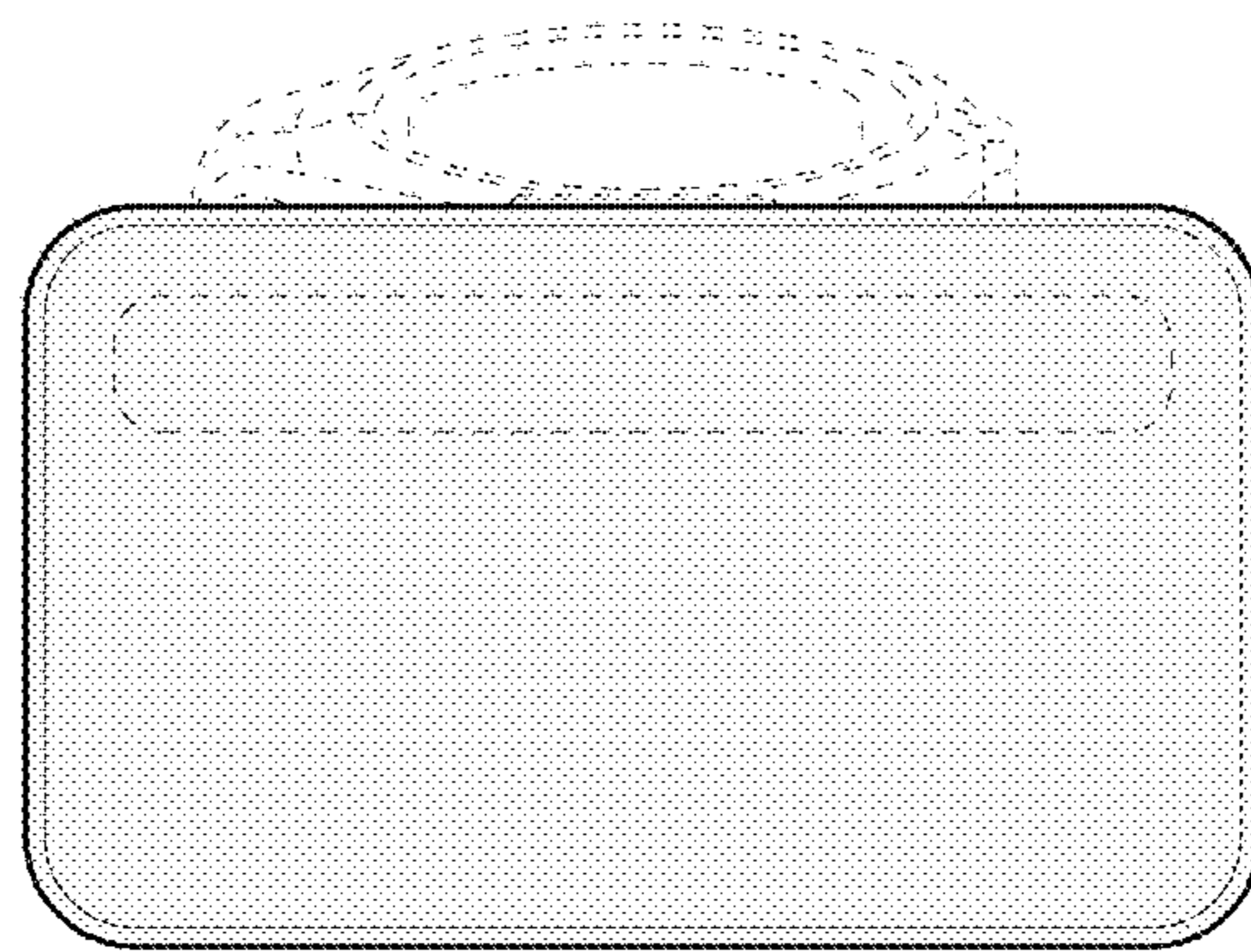


Fig. 4

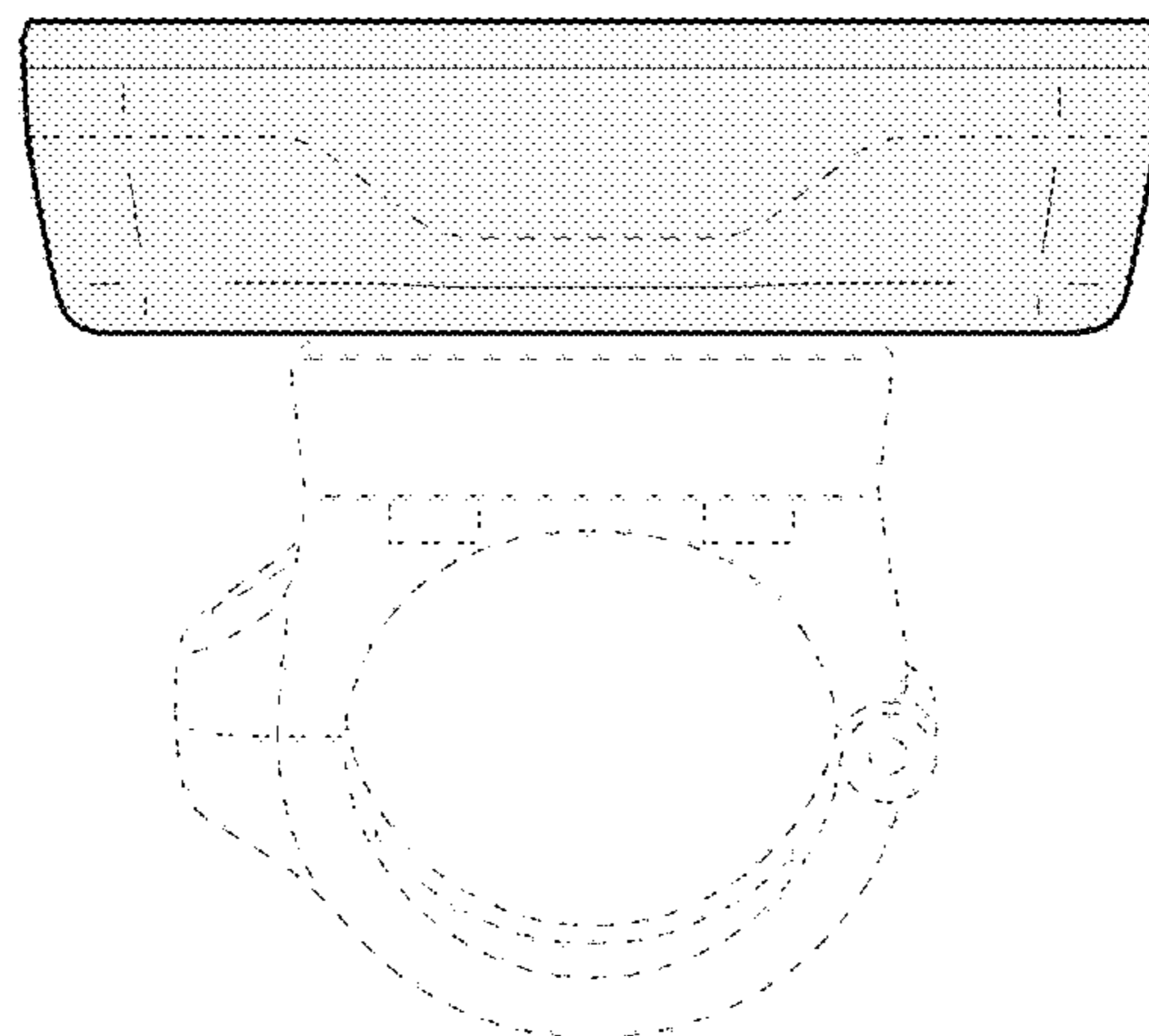


Fig. 5

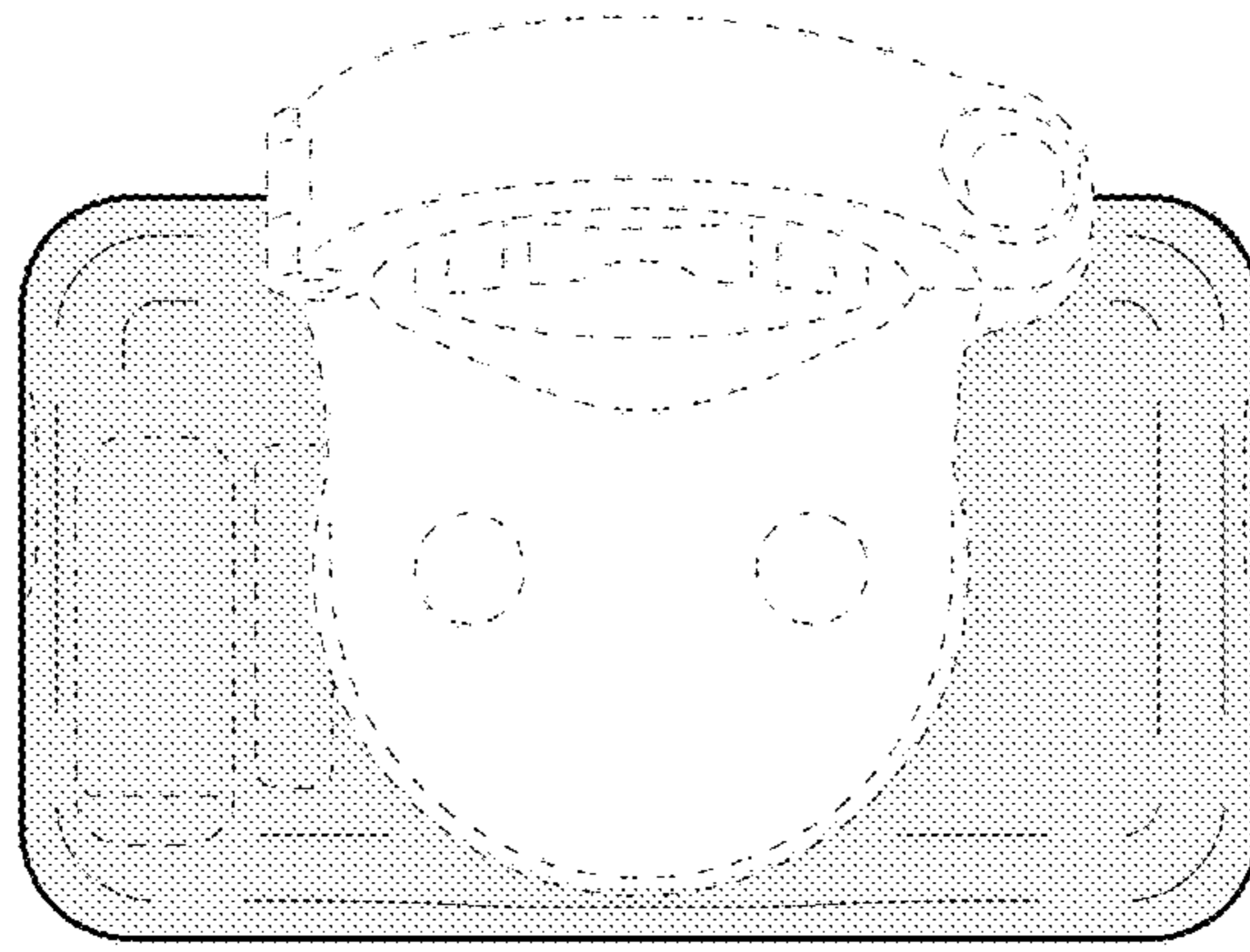


Fig. 6

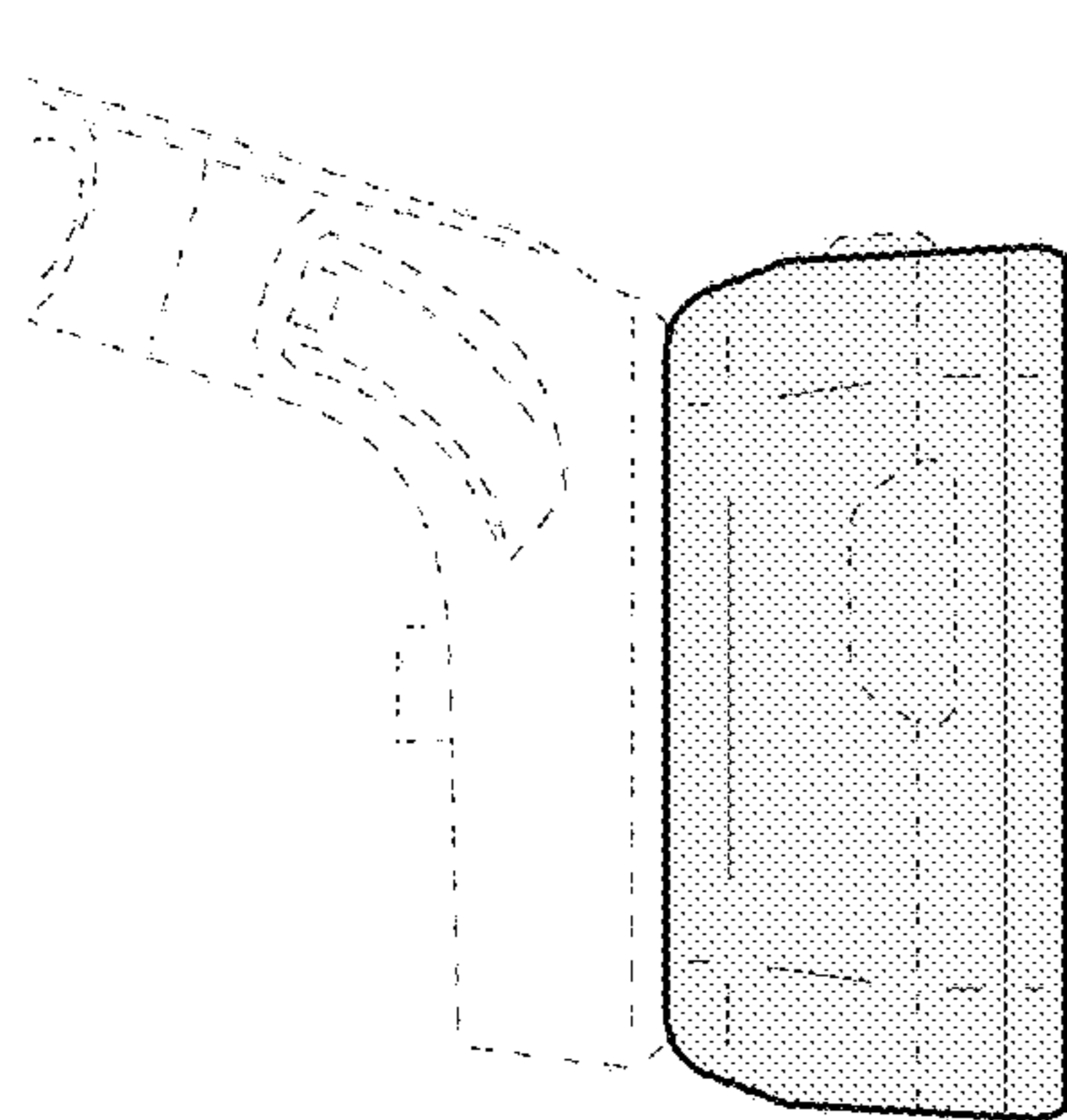


Fig. 7

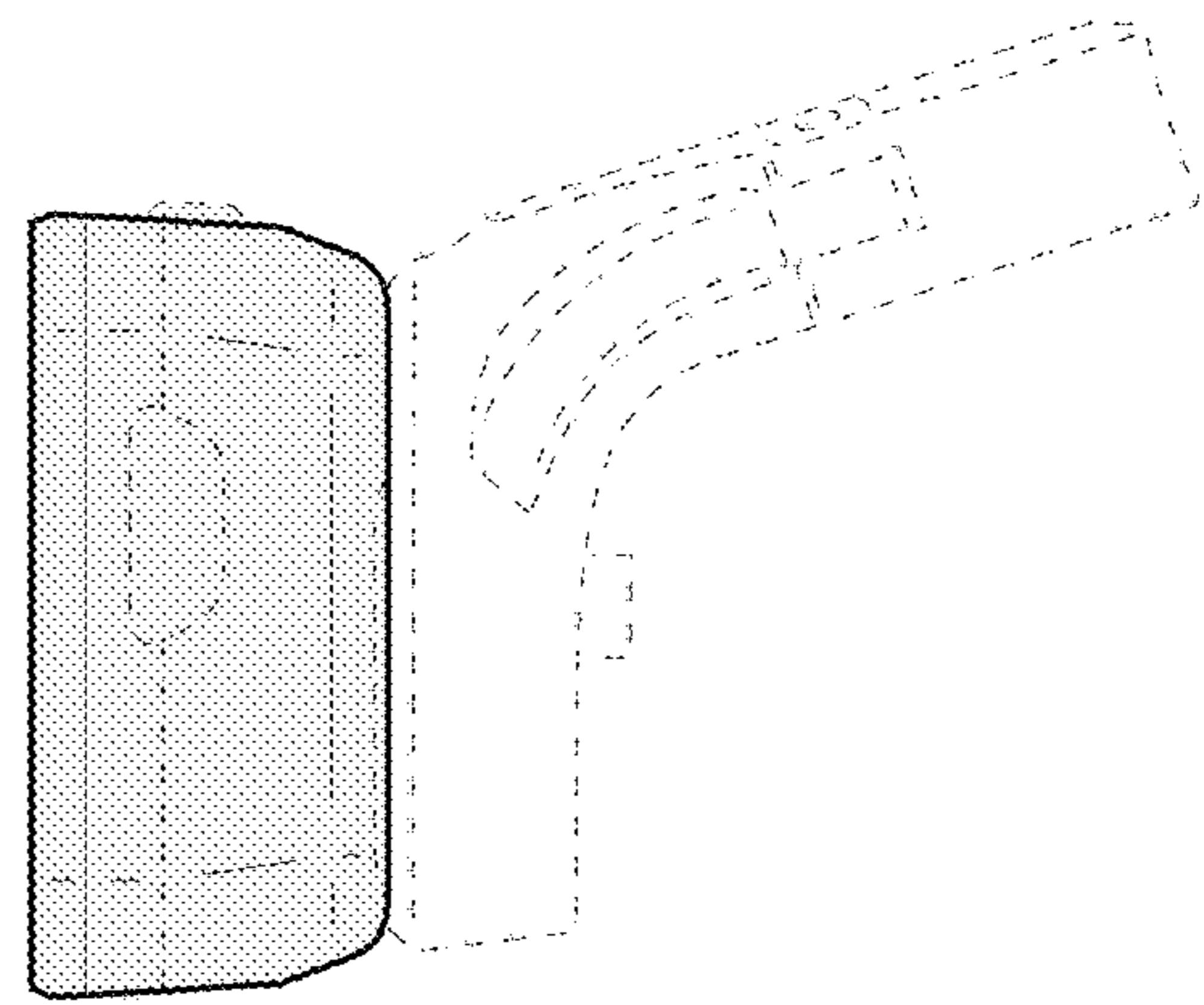


Fig. 8