



US00D772743S

(12) **United States Design Patent**
Mashak

(10) **Patent No.:** **US D772,743 S**
(45) **Date of Patent:** **** Nov. 29, 2016**

(54) **VARIABLE ORIFICE FLOW SENSOR**

(71) Applicant: **General Electric Company,**
Schenectady, NY (US)

(72) Inventor: **James N. Mashak,** Madison, WI (US)

(73) Assignee: **General Electric Company,**
Schenectady, NY (US)

(**) Term: **15 Years**

(21) Appl. No.: **29/552,764**

(22) Filed: **Jan. 26, 2016**

Related U.S. Application Data

(62) Division of application No. 29/497,618, filed on Jul. 25, 2014, now Pat. No. Des. 752,463.

(51) **LOC (10) Cl.** **10-04**

(52) **U.S. Cl.**
USPC **D10/96**

(58) **Field of Classification Search**
USPC D10/96, 99
CPC G01F 1/40; G01F 1/42; Y10T 137/8326
See application file for complete search history.

(56) **References Cited**

U.S. PATENT DOCUMENTS

4,989,456 A 2/1991 Stupecky
5,033,312 A 7/1991 Stupecky

5,038,621 A 8/1991 Stupecky
6,722,211 B1 4/2004 Ciobanu et al.
7,270,143 B2 9/2007 Kohlmann et al.
D707,577 S 6/2014 Marx et al.
D715,663 S 10/2014 Sum
8,905,063 B2* 12/2014 Young F23N 1/002
137/486
9,329,065 B2* 5/2016 Mashak G01F 1/42

* cited by examiner

Primary Examiner — Antoine D Davis

(74) *Attorney, Agent, or Firm* — Boyle Fredrickson, S.C.

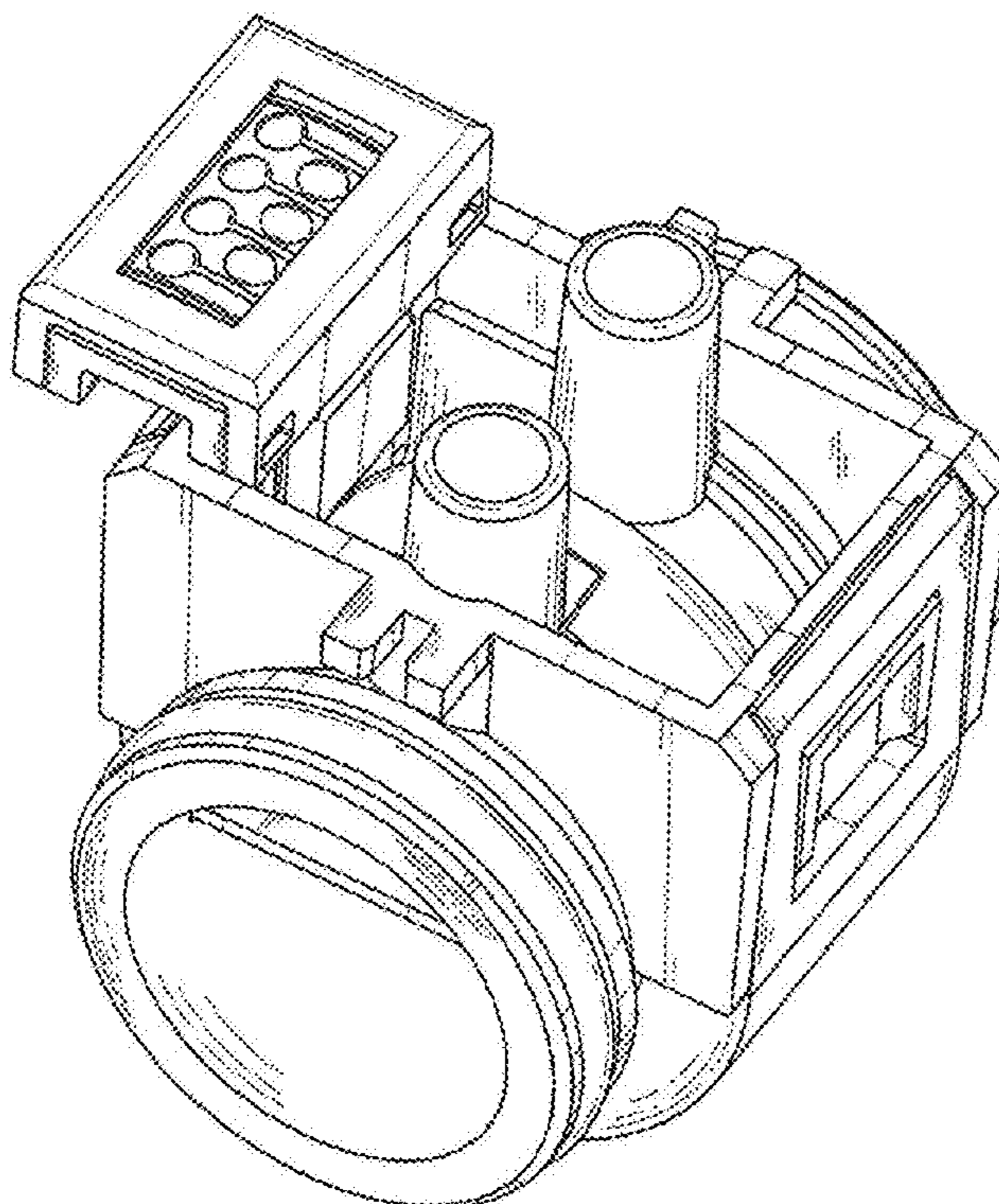
(57) **CLAIM**

The ornamental design of a variable orifice flow sensor, as shown and described.

DESCRIPTION

FIG. 1 is an isometric view of another embodiment of a variable orifice flow sensor incorporating my new design; FIG. 2 is a front elevation view thereof; FIG. 3 is a rear elevation view thereof; FIG. 4 is a top plan view thereof; FIG. 5 is a bottom plan view thereof; FIG. 6 is a left side elevation view thereof; and, FIG. 7 is a right side elevation view thereof.

1 Claim, 7 Drawing Sheets



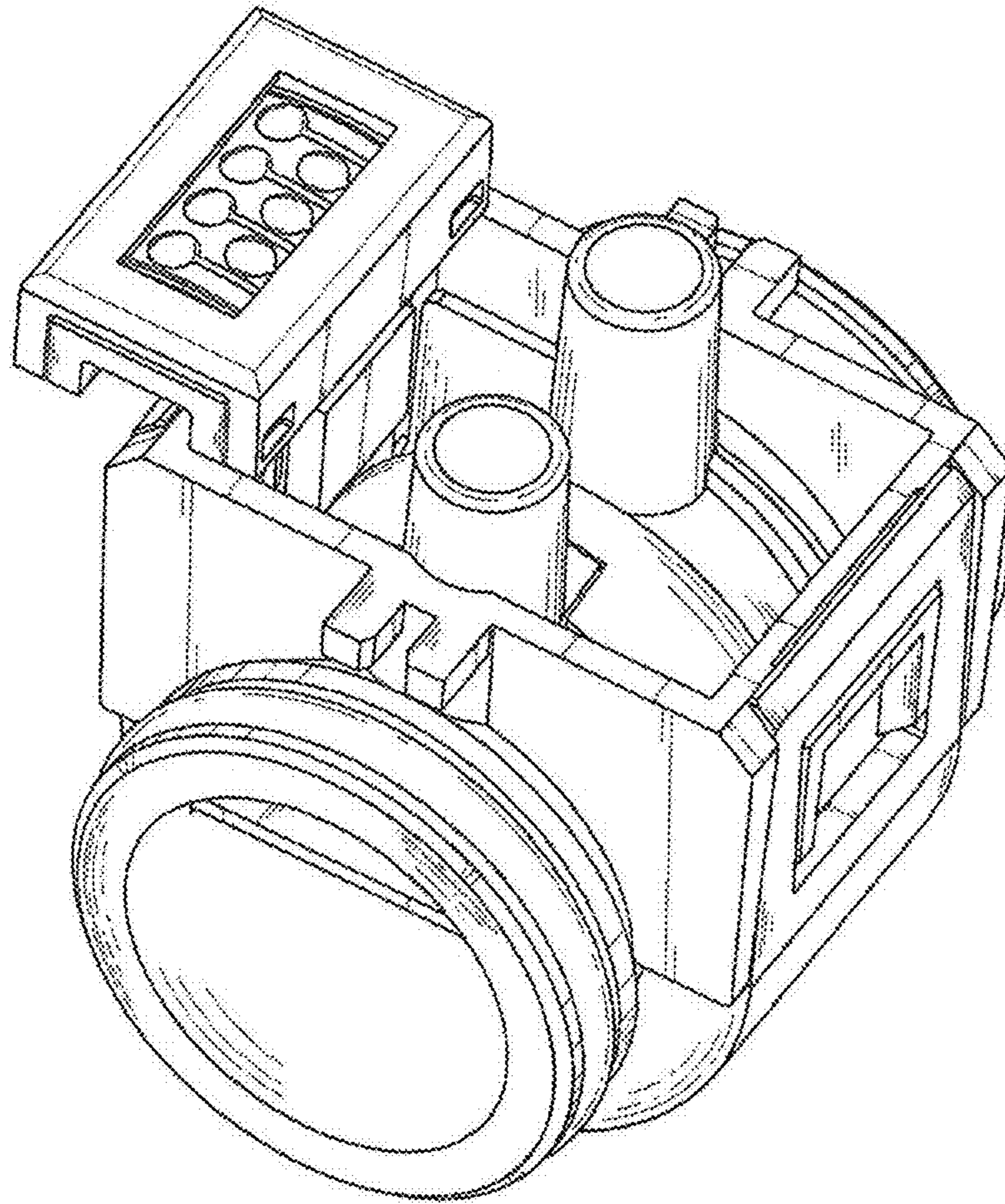


FIG. 1

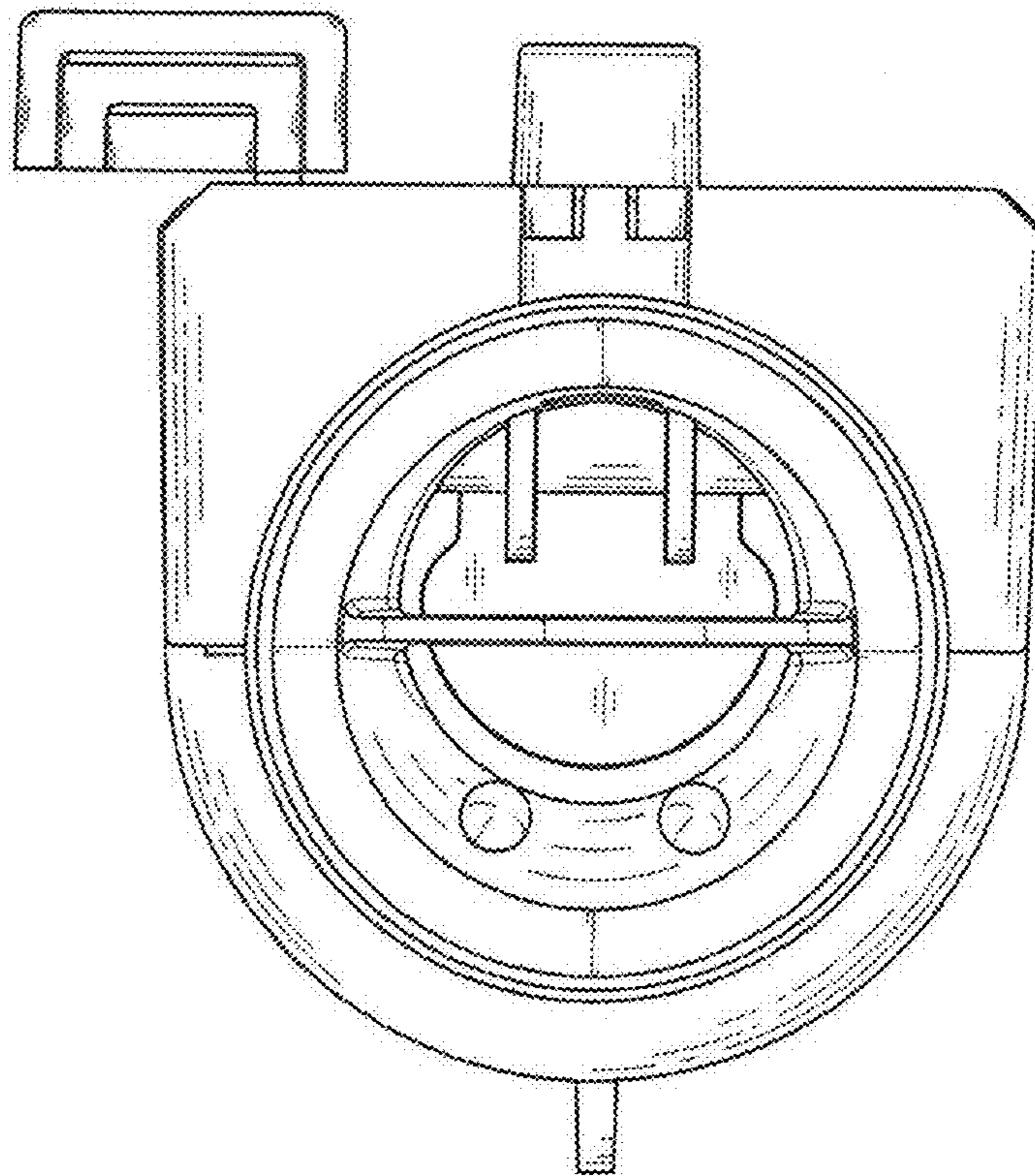


FIG. 2

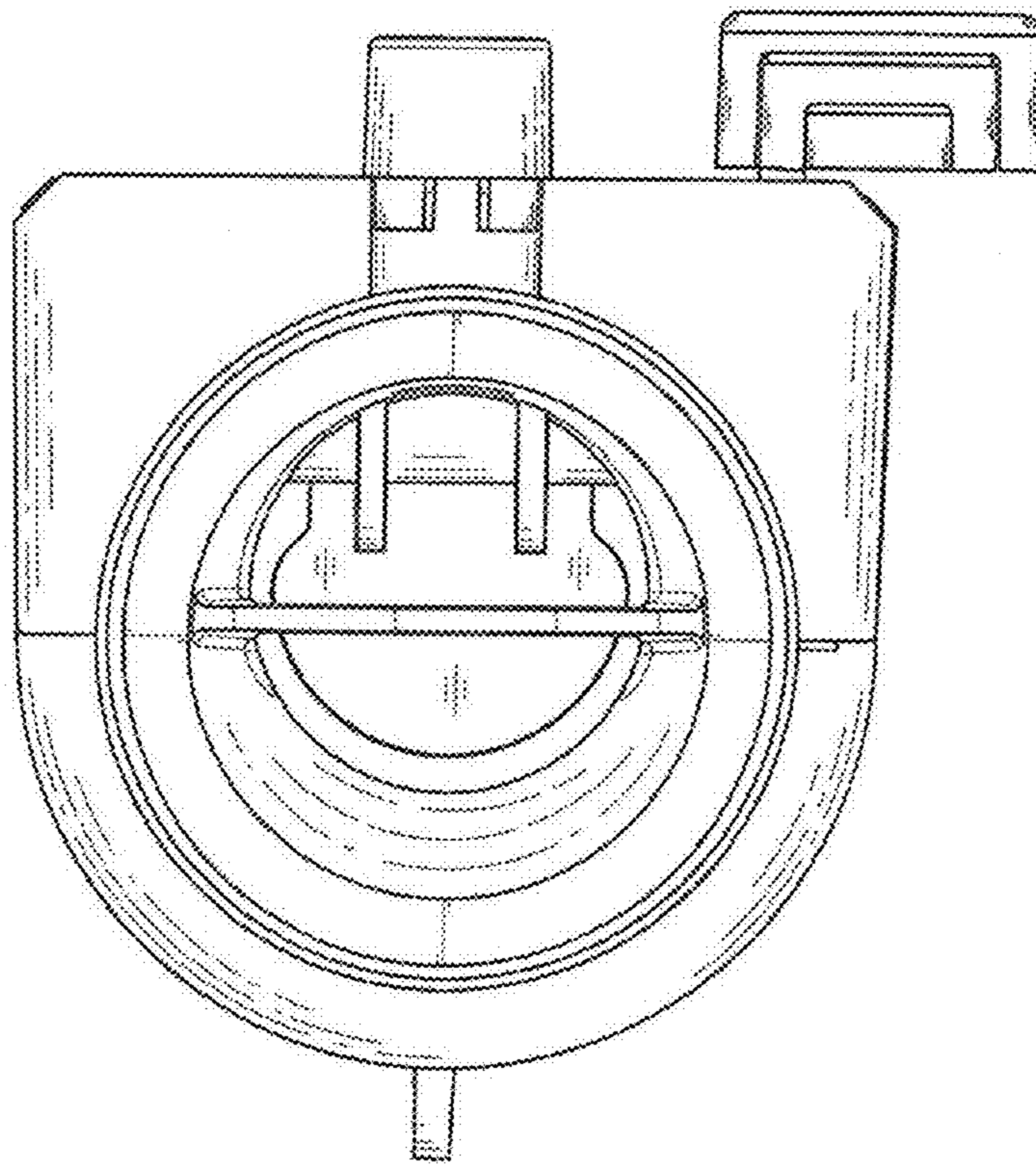


FIG. 3

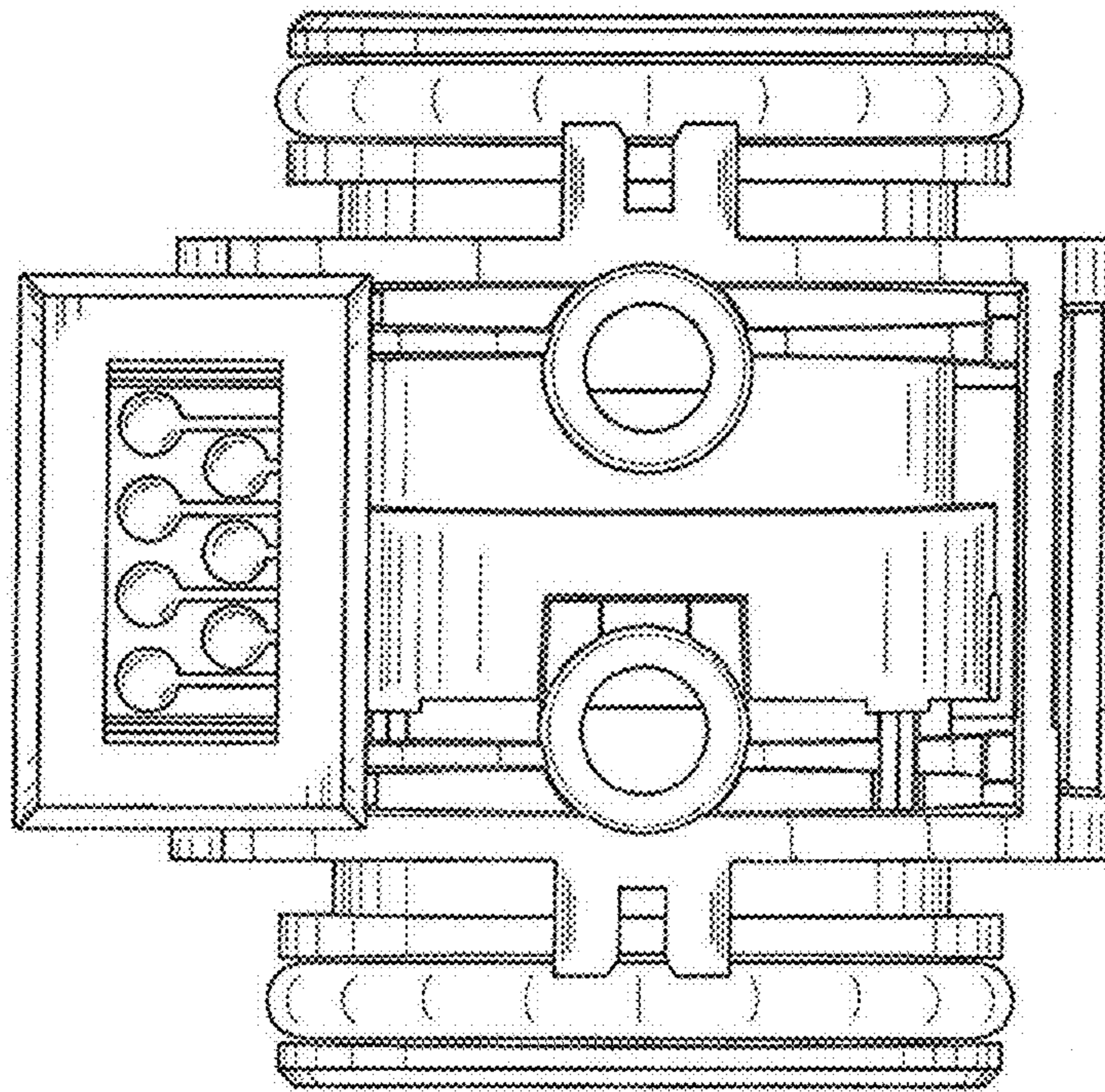


FIG. 4

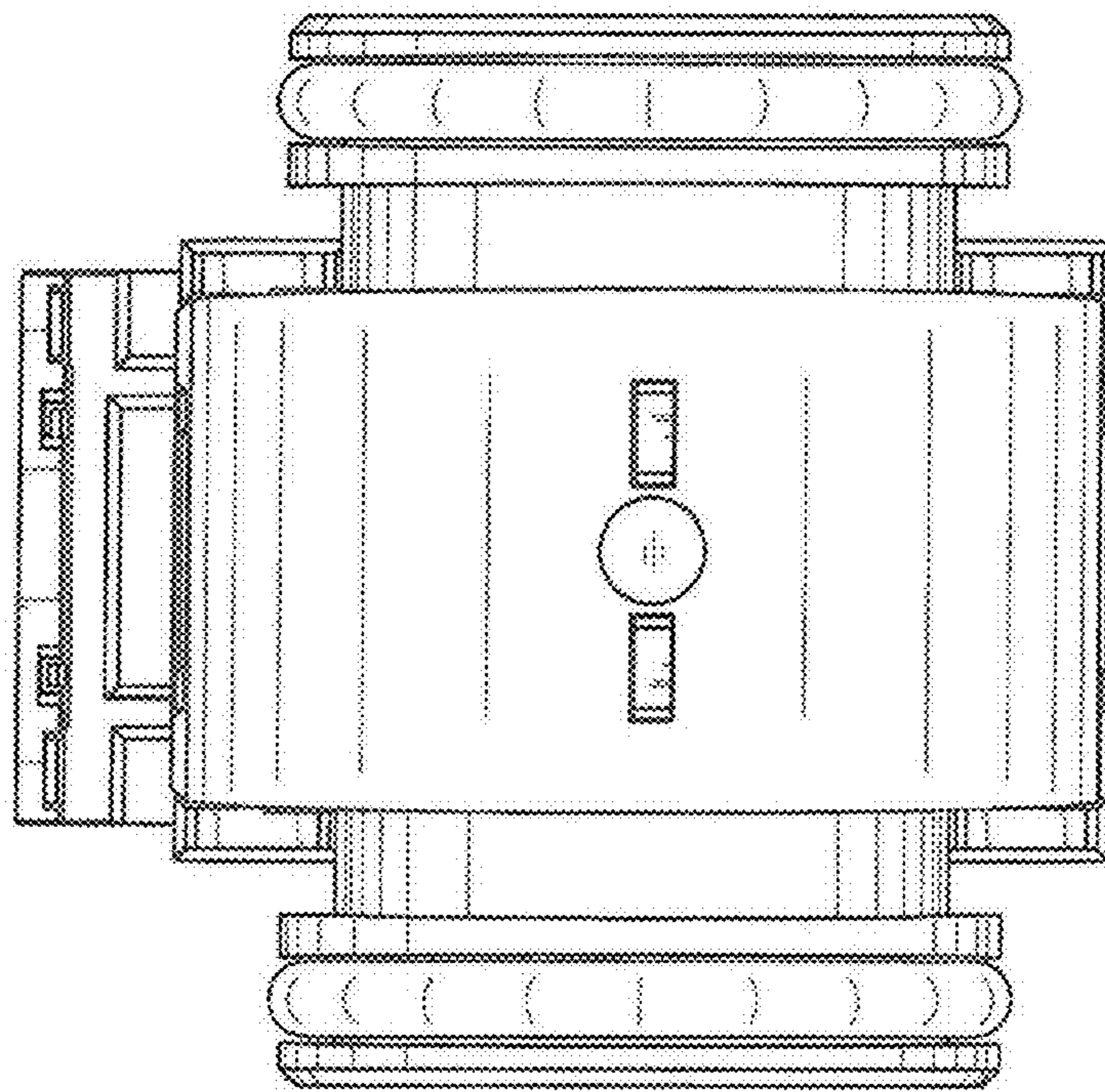


FIG. 5

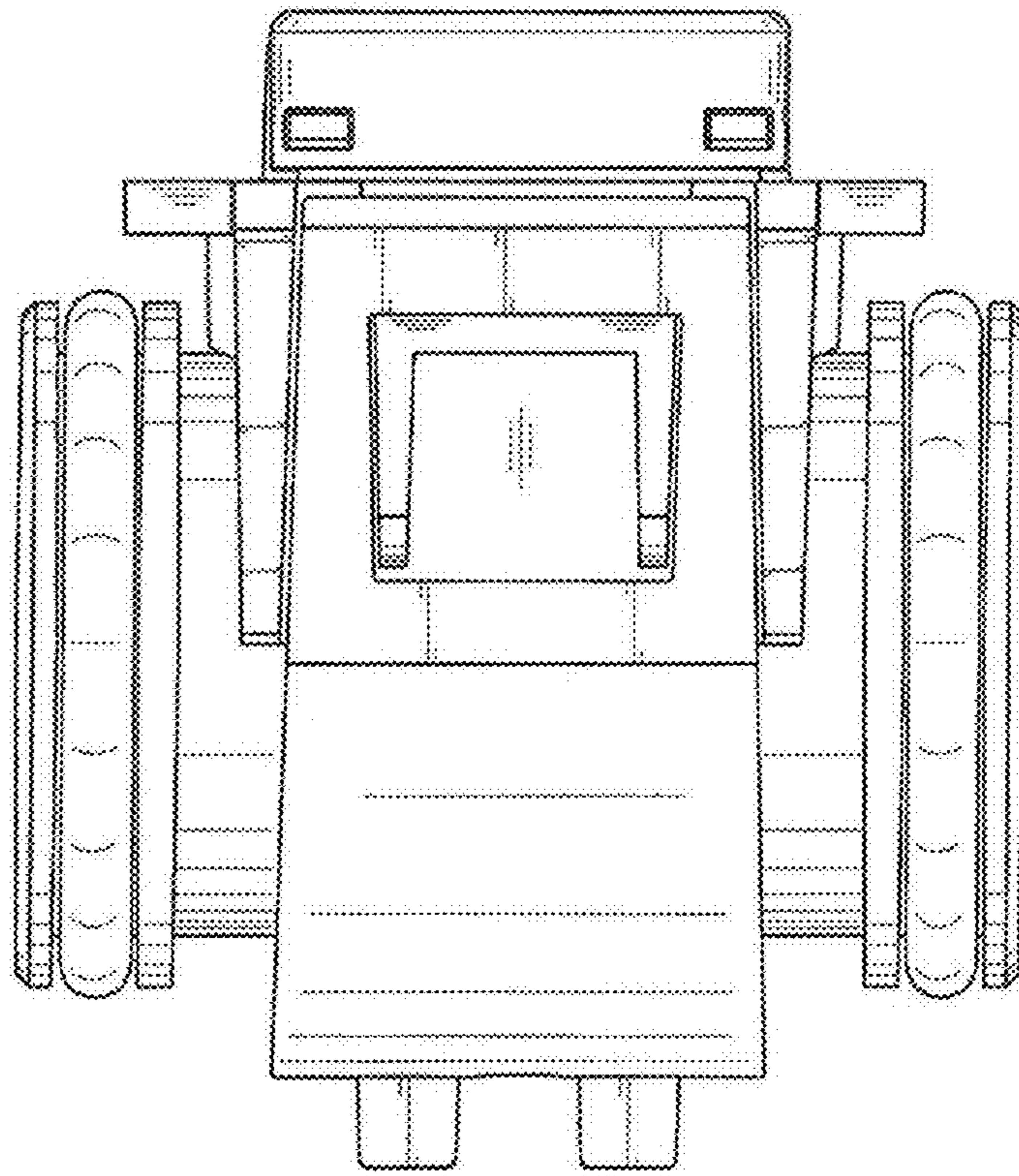


FIG. 6

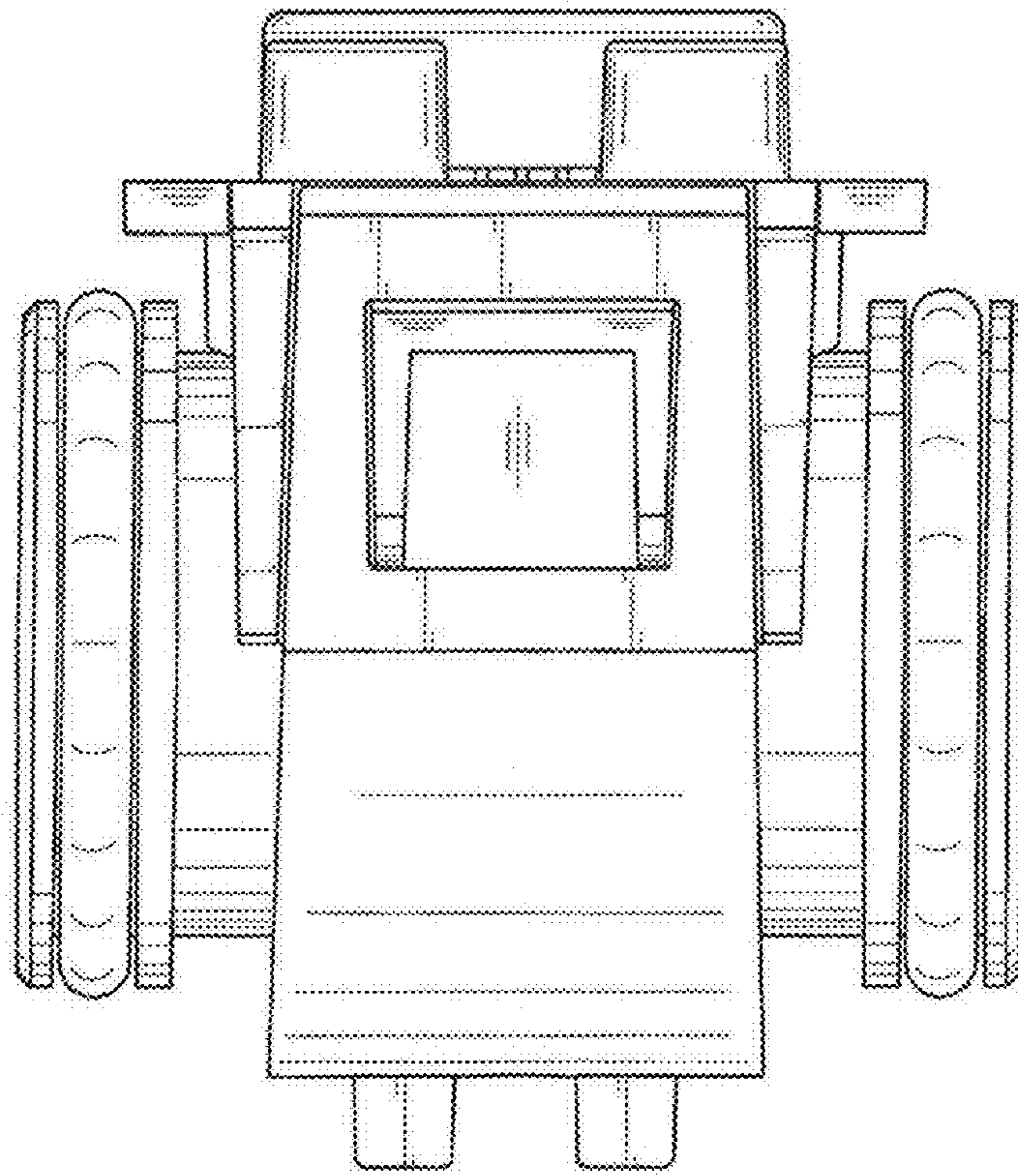


FIG. 7