



US00D772741S

(12) **United States Design Patent** (10) **Patent No.:** **US D772,741 S**
Huang et al. (45) **Date of Patent:** **** Nov. 29, 2016**

(54) **ELECTRICAL TEST LEAD**

(71) Applicant: **Fluke Precision Measurement Ltd.**,
Norwich, Norfolk (GB)

(72) Inventors: **Wei Huang**, Shanghai (CN); **Yurui Shen**, Shanghai (CN)

(73) Assignee: **Fluke Precision Measurement Ltd.**,
Norwich (GB)

(**) Term: **15 Years**

(21) Appl. No.: **29/551,777**

(22) Filed: **Jan. 15, 2016**

Related U.S. Application Data

(63) Continuation of application No. 29/497,386, filed on Jul. 23, 2014, now Pat. No. Des. 749,968.

(30) **Foreign Application Priority Data**

Jan. 24, 2014 (CN) 2014 3 0020906

(51) **LOC (10) Cl.** **10-04**

(52) **U.S. Cl.**
USPC **D10/80; D10/77**

(58) **Field of Classification Search**
USPC D10/77, 80
CPC G01R 1/073; G01R 1/07307; G01R 1/07314; G01R 1/07321; G01R 1/07328; G01R 1/07335; G01R 1/07342; G01R 1/0735; G01R 1/07357; G01R 1/07364; G01R 1/07371; G01R 1/07378; G01R 1/07385

See application file for complete search history.

(56) **References Cited**

U.S. PATENT DOCUMENTS

| | | | |
|-----------------|---------|----------------|--------|
| 5,136,234 A | 8/1992 | Shaw | |
| D474,415 S | 5/2003 | Kirsch | |
| 9,030,220 B2 | 5/2015 | Laurino et al. | |
| D750,987 S * | 3/2016 | Huang | D10/80 |
| 2009/0267590 A1 | 10/2009 | Atta et al. | |
| 2011/0309853 A1 | 12/2011 | Tan | |
| 2013/0320962 A1 | 12/2013 | Rother et al. | |

* cited by examiner

Primary Examiner — Antoine D Davis

(74) *Attorney, Agent, or Firm* — Seed IP Law Group LLP

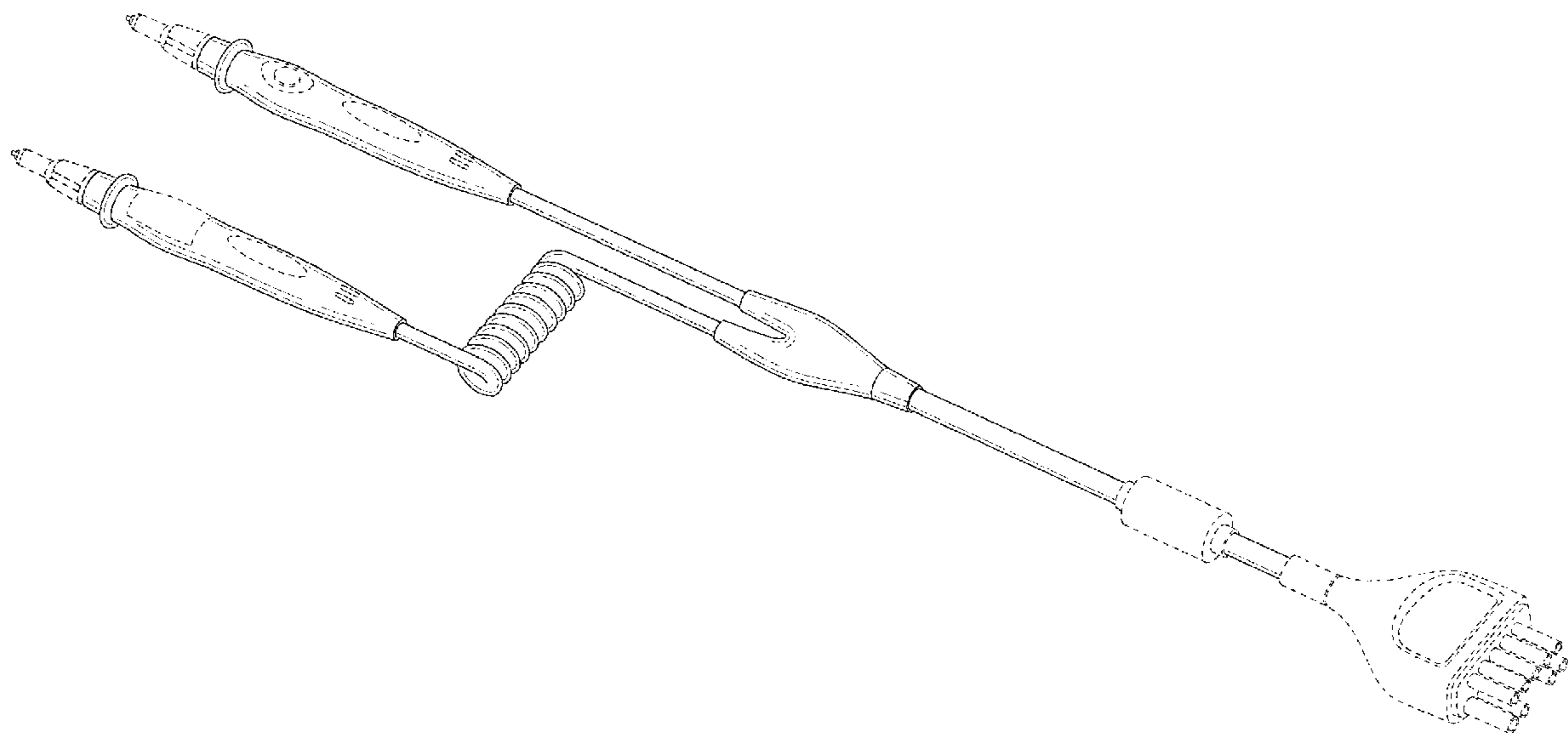
(57) **CLAIM**

The ornamental design for an electrical test lead, as shown and described.

DESCRIPTION

FIG. 1 is a top front left isometric view of an electrical test lead showing our new design;
FIG. 2 is a top plan view thereof;
FIG. 3 is a bottom plan view thereof;
FIG. 4 is a rear elevation view thereof;
FIG. 5 is a front elevation view thereof;
FIG. 6 is an inverted right side elevation view thereof;
FIG. 7 is a left side elevation view thereof; and,
FIG. 8 is a top rear left isometric view thereof.
The broken lines shown in the drawings are directed to environment and form no part of the claimed design.

1 Claim, 5 Drawing Sheets



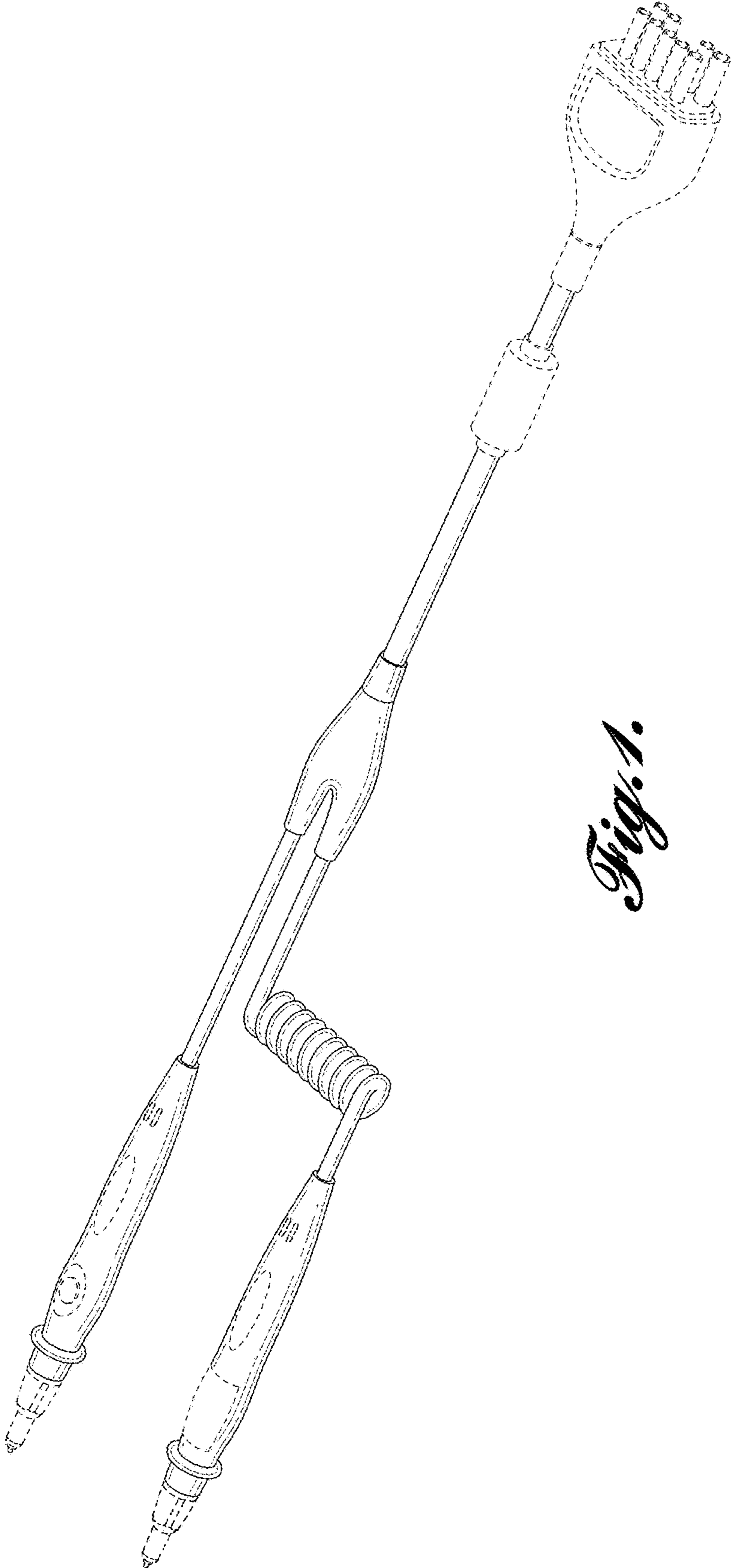


Fig. 1.

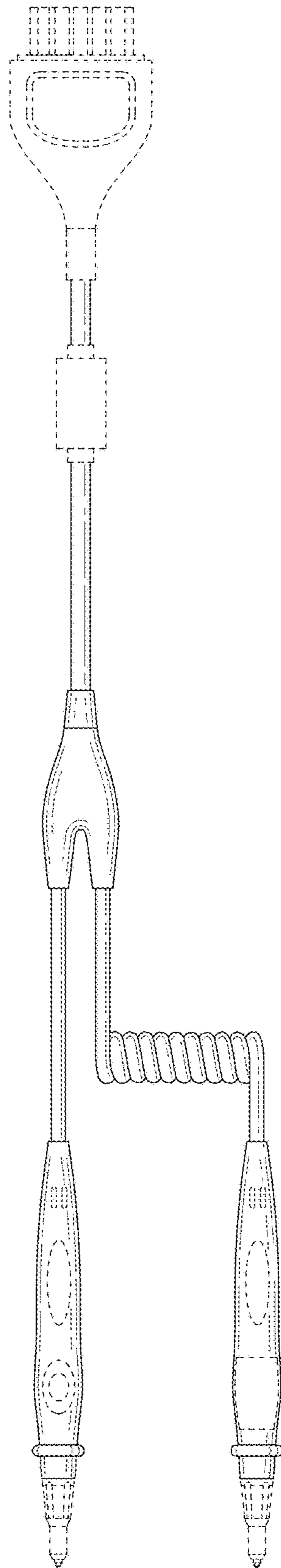


Fig. 2.

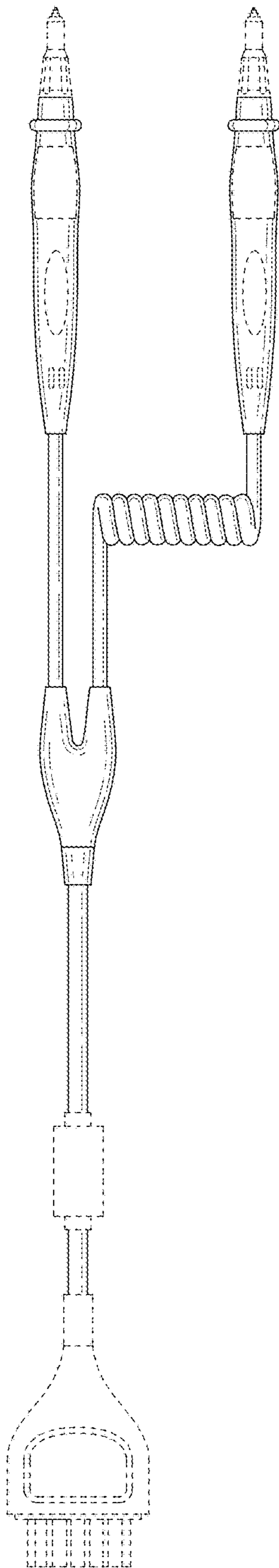


Fig. 3.

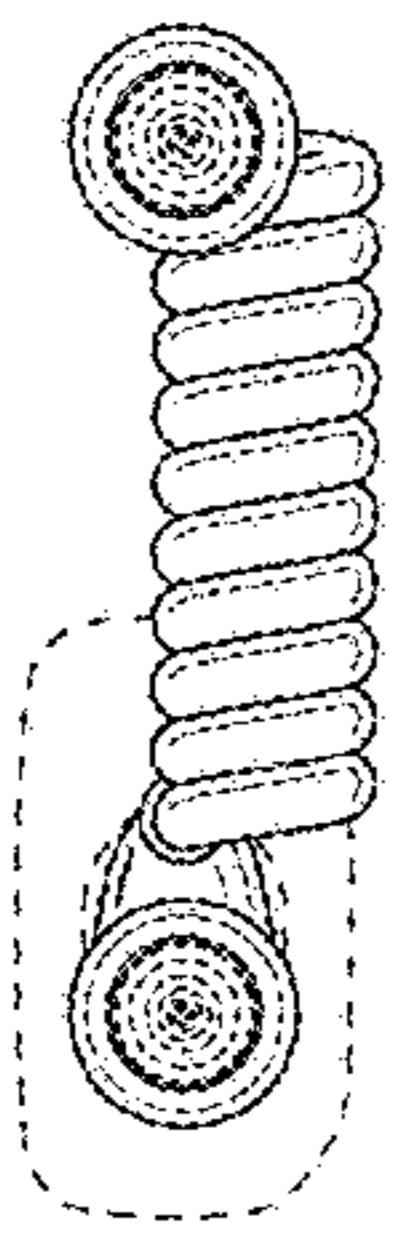


Fig. 4.

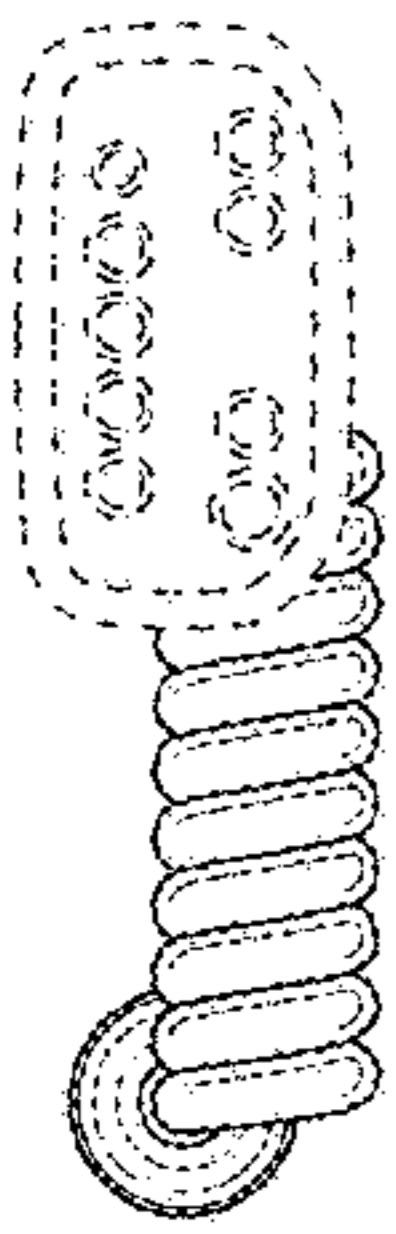


Fig. 5.

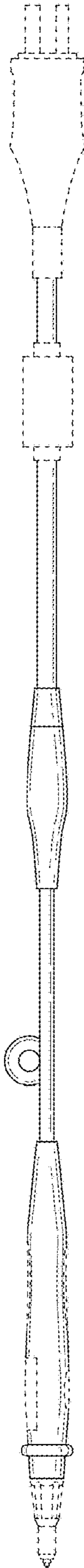


Fig. 6.

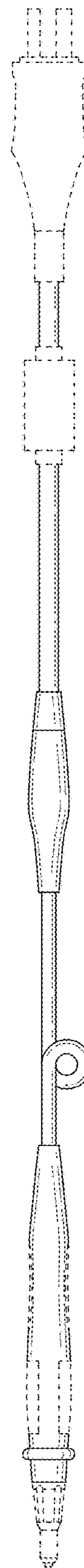


Fig. 7.

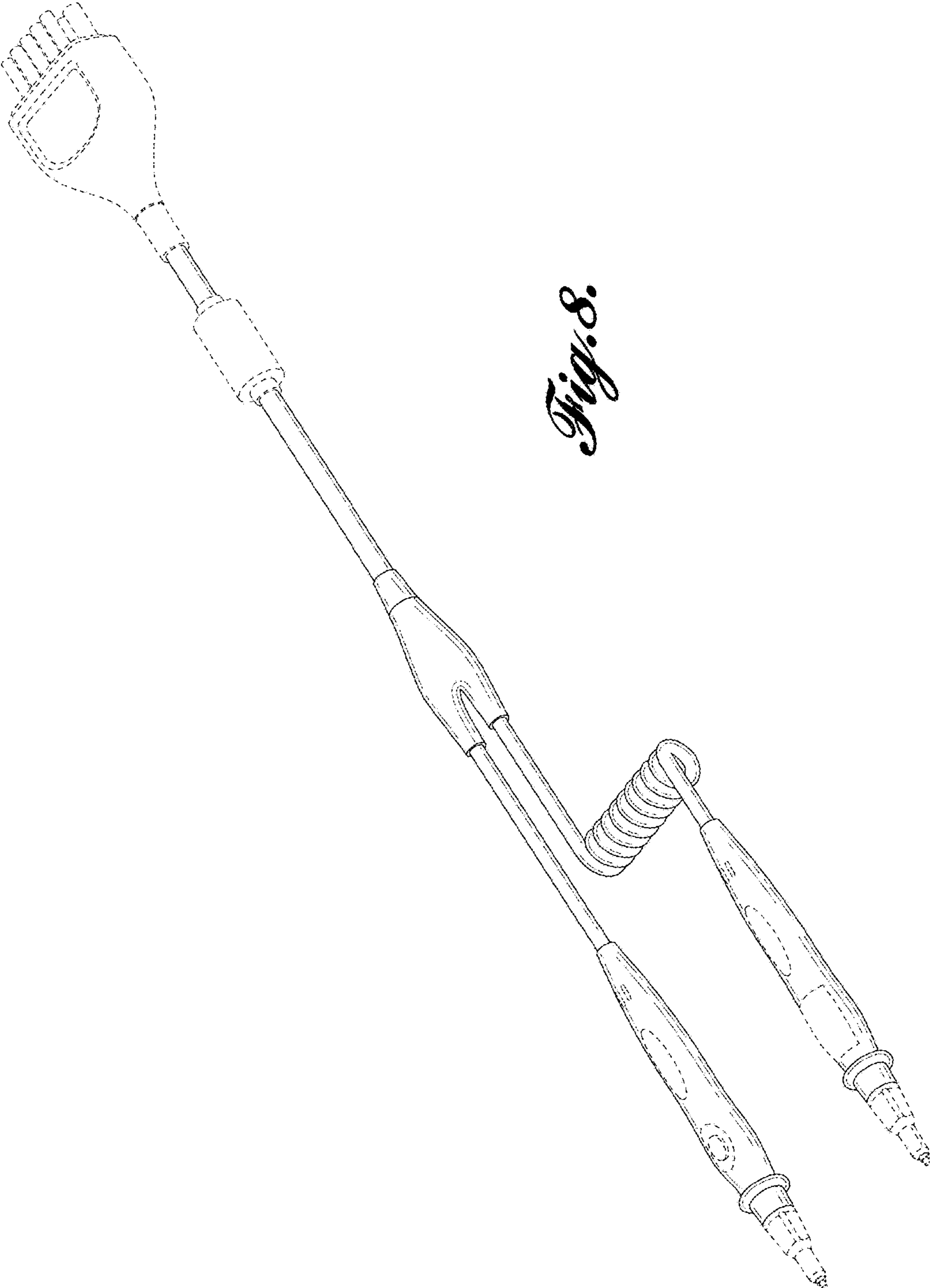


Fig. 8.