



US00D772739S

(12) **United States Design Patent** (10) **Patent No.:** **US D772,739 S**
Browning et al. (45) **Date of Patent:** **** Nov. 29, 2016**

(54) **MOUNT FOR PORTABLE ELECTRONIC DEVICES**

B60R 2011/0007; B60R 2011/0056; B60R 2011/0057; B60R 2011/0063

See application file for complete search history.

(71) Applicant: **TomTom International B.V.**, Amsterdam (NL)

(56) **References Cited**

(72) Inventors: **Daniel Browning**, Amsterdam (NL); **Mark Lee Dempsey**, Beckenham (GB); **Nicholas Alexander Evans**, Amsterdam (NL); **Isaac Teece**, London (GB); **Kyle Loughlin**, London (GB); **Marcus Hoggarth**, London (GB); **Reinier Tijssen**, Eindhoven (NL)

U.S. PATENT DOCUMENTS

D619,586 S *	7/2010	Richter	D14/253
D619,587 S *	7/2010	Richter	D14/253
D686,927 S *	7/2013	Matuschek	D10/74
D708,187 S *	7/2014	Xiang	D14/447
D709,066 S *	7/2014	Byun	D14/253
D733,156 S *	6/2015	Choi	D14/447
D750,515 S *	3/2016	Ditges	D10/74

(73) Assignee: **TomTom International B.V.**, Amsterdam (NL)

* cited by examiner

(**) Term: **15 Years**

Primary Examiner — Antoine D Davis

(21) Appl. No.: **29/532,785**

(57) **CLAIM**

The ornamental design for a mount for portable electronic devices, as shown and described.

(22) Filed: **Jul. 10, 2015**

DESCRIPTION

(30) **Foreign Application Priority Data**

Jan. 12, 2015 (EM) 002611822

(51) **LOC (10) Cl.** **10-04**

(52) **U.S. Cl.**
USPC **D10/74; D14/447**

(58) **Field of Classification Search**
USPC D10/74; D14/447
CPC A47B 2097/005; A47B 2097/006;
B60R 11/00; B60R 11/0211; B60R 11/0229;
B60R 11/0235; B60R 11/0252; B60R 11/0258; B60R 2011/0003; B60R 2011/0005;

FIG. 1 is a perspective view showing the front and lower surfaces of the mount.

FIG. 2 is a front view of the mount.

FIG. 3 is a perspective view showing the rear and lower surfaces of the mount.

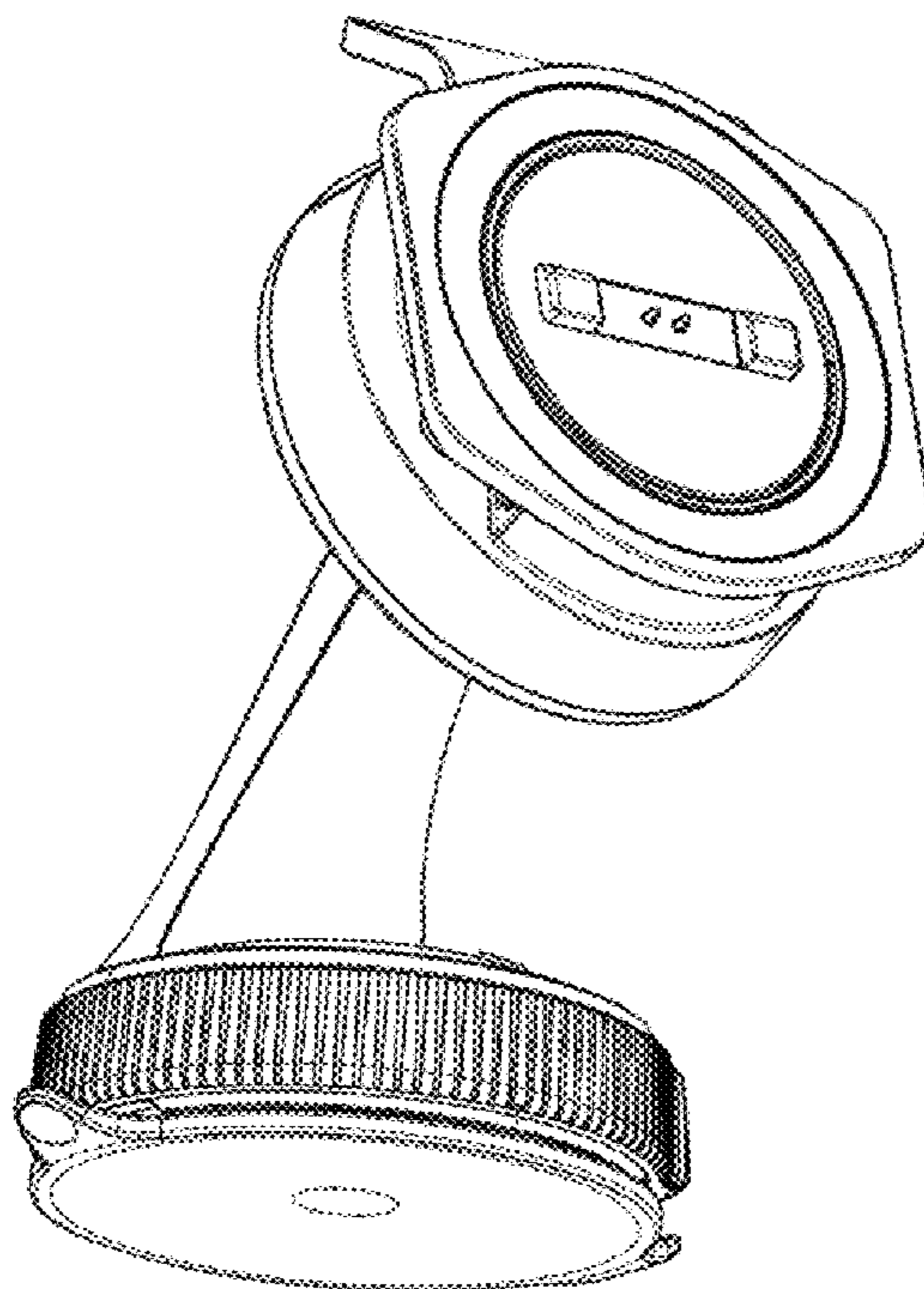
FIG. 4 is a rear view of the mount.

FIG. 5 is a top view of the mount.

FIG. 6 is a bottom view of the mount; and,

FIG. 7 is a side view of the mount.

1 Claim, 7 Drawing Sheets



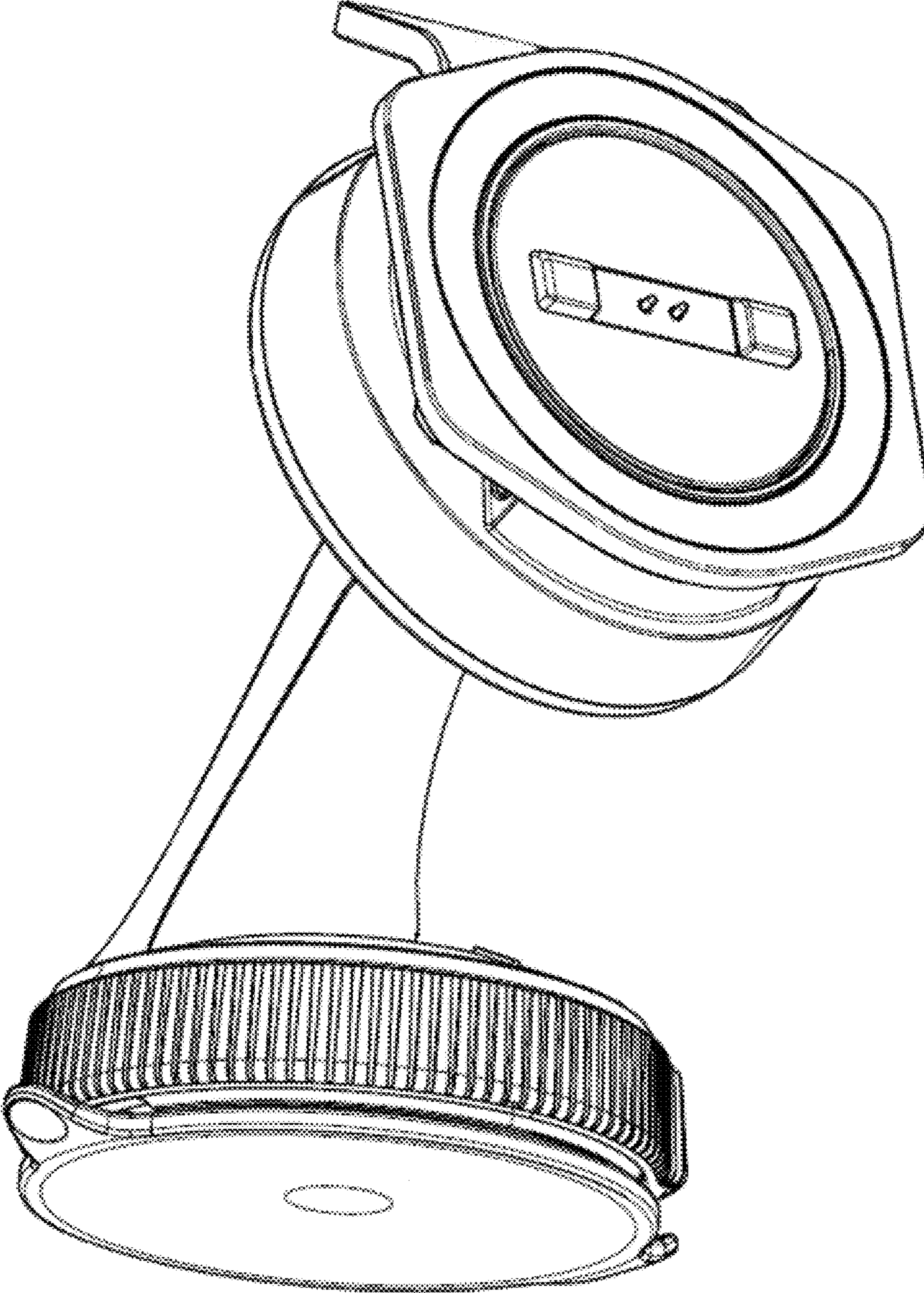


Figure 1

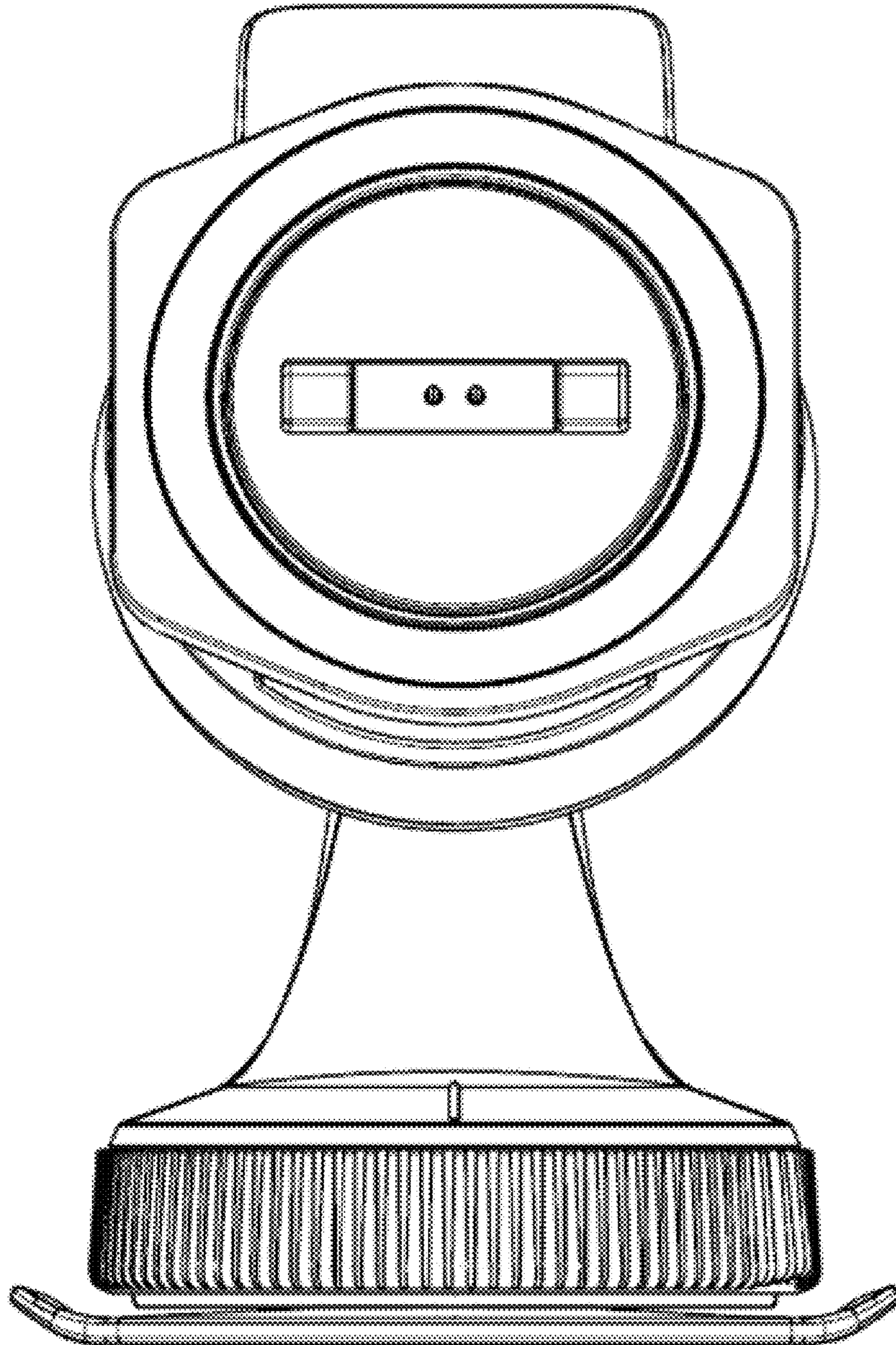


Figure 2

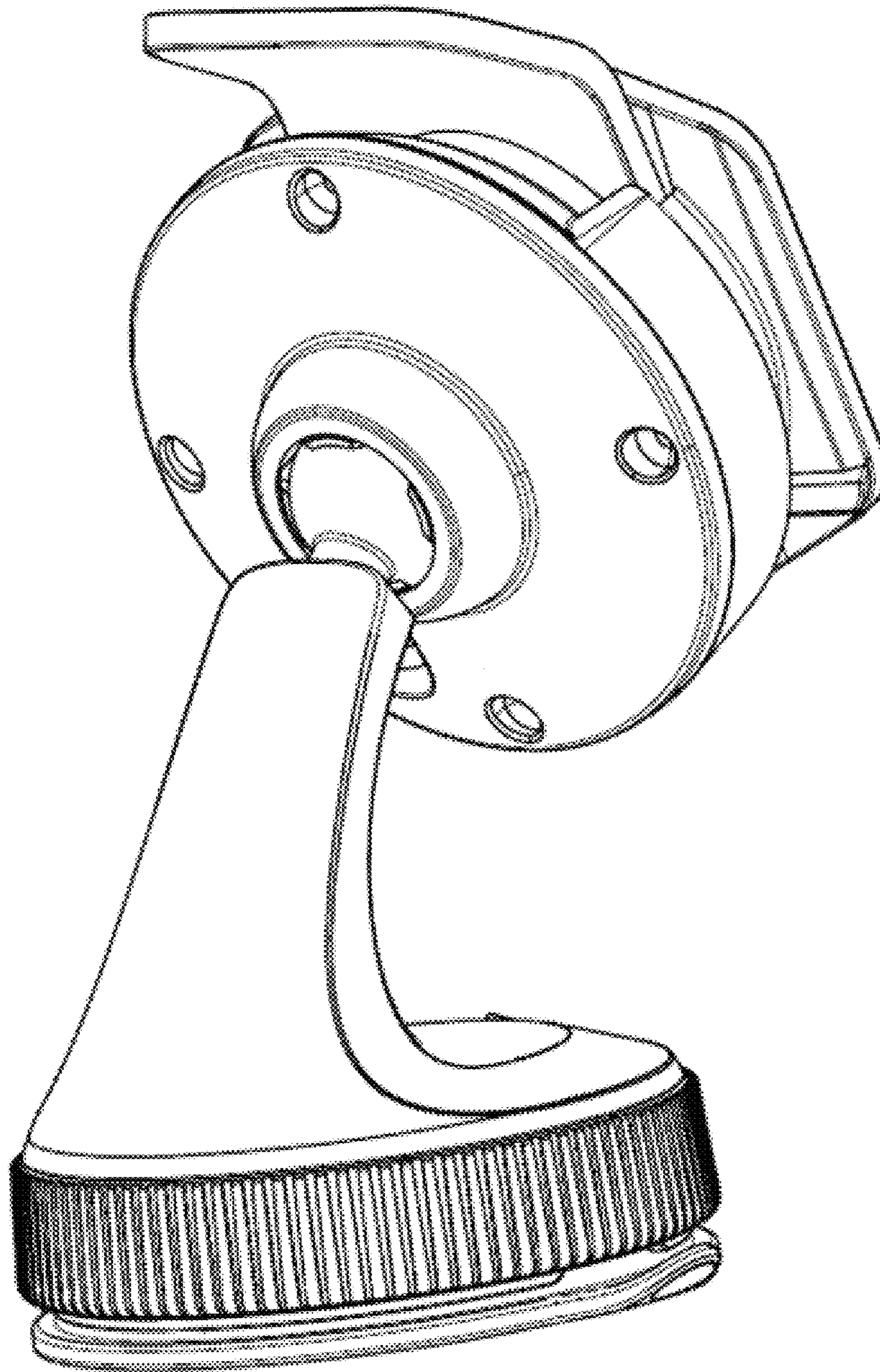


Figure 3

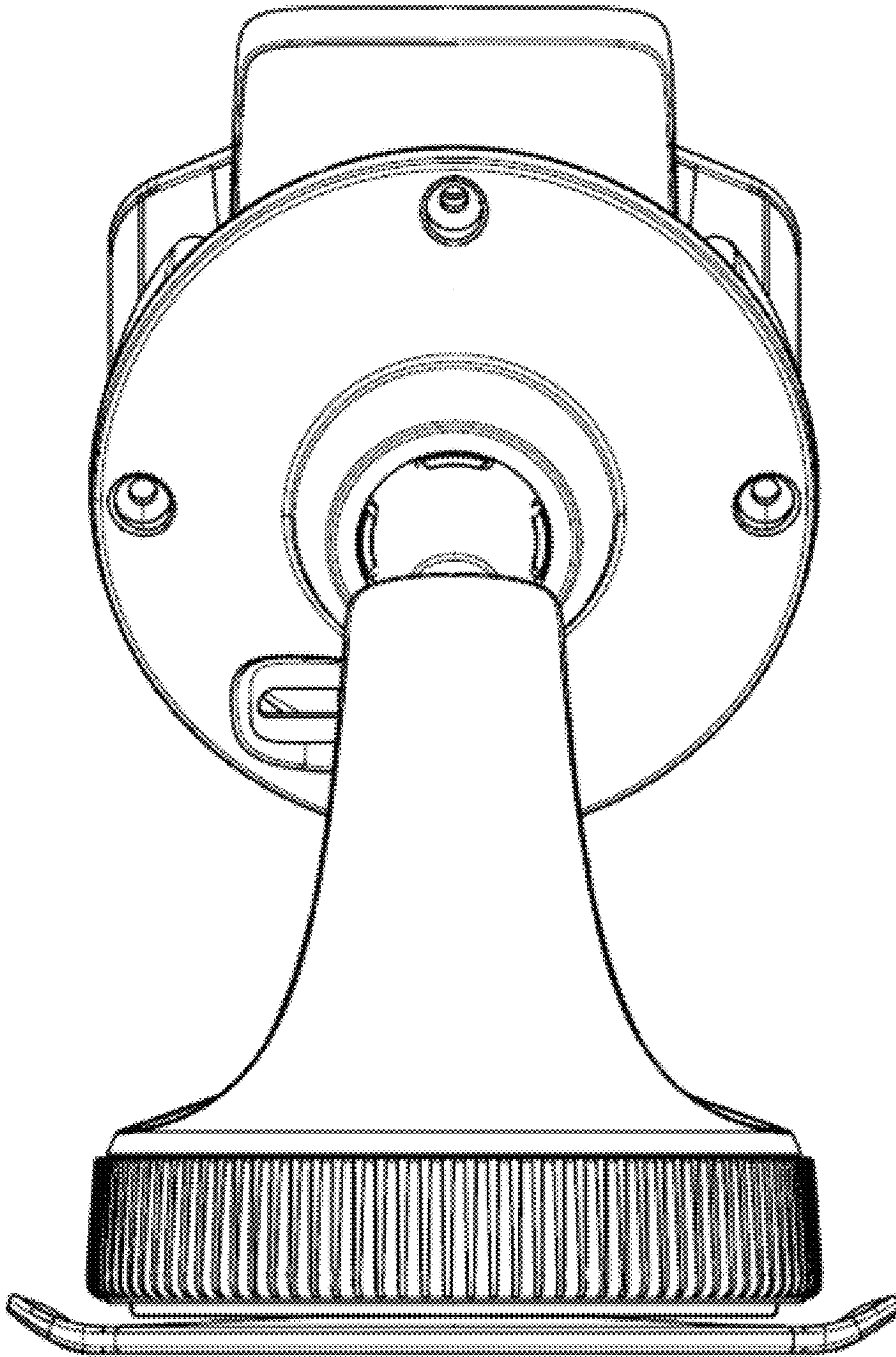


Figure 4

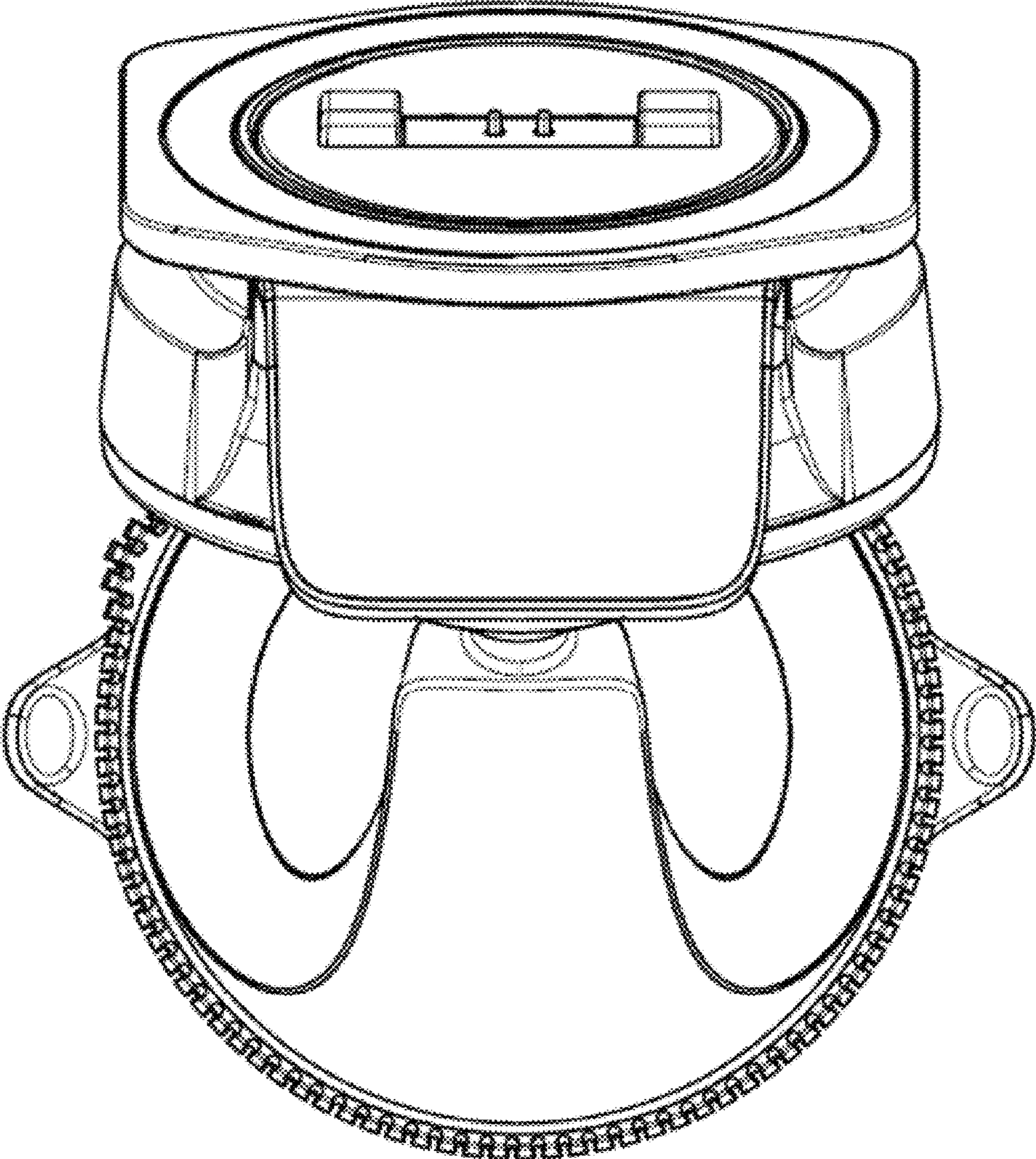


Figure 5

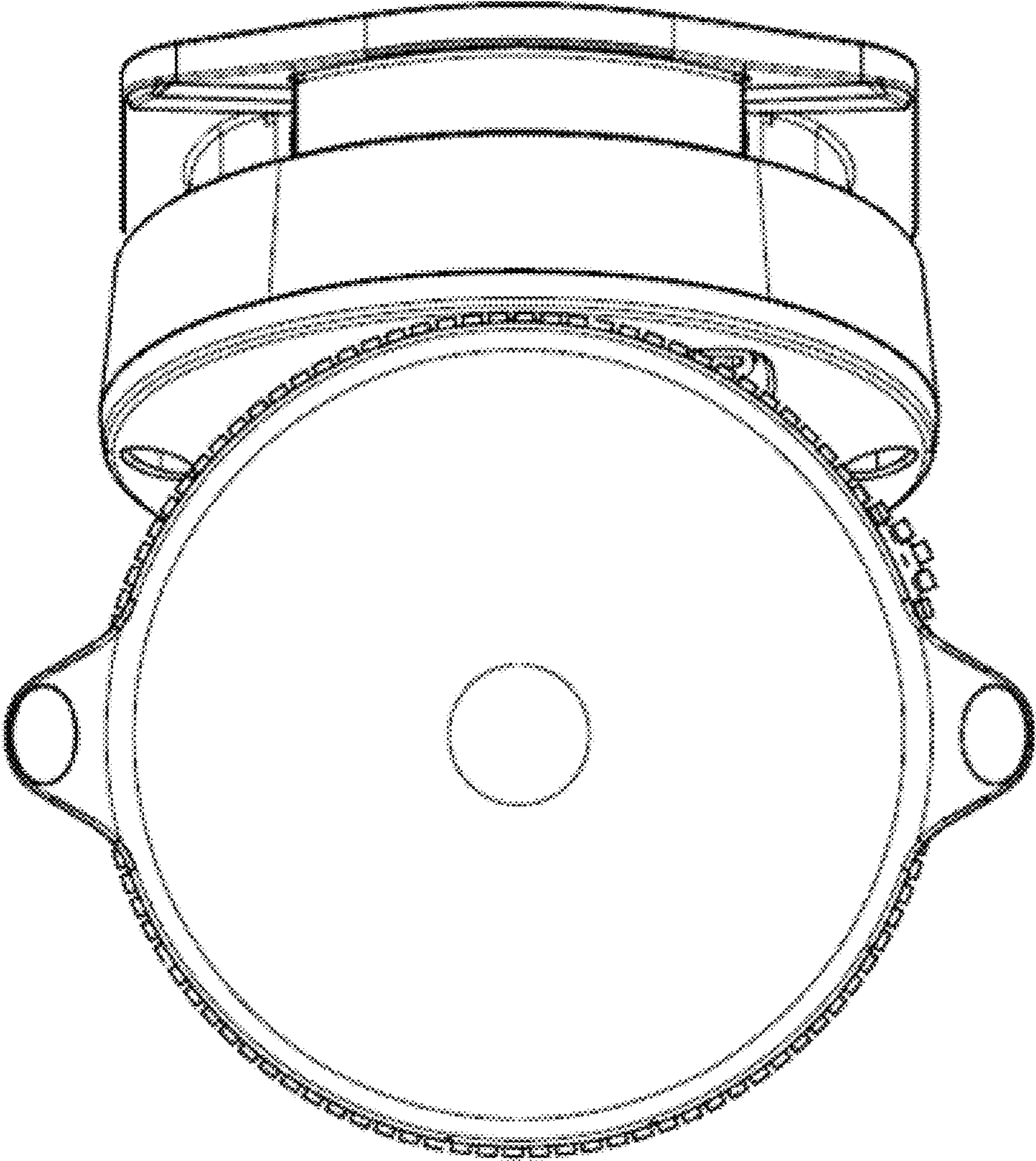


Figure 6

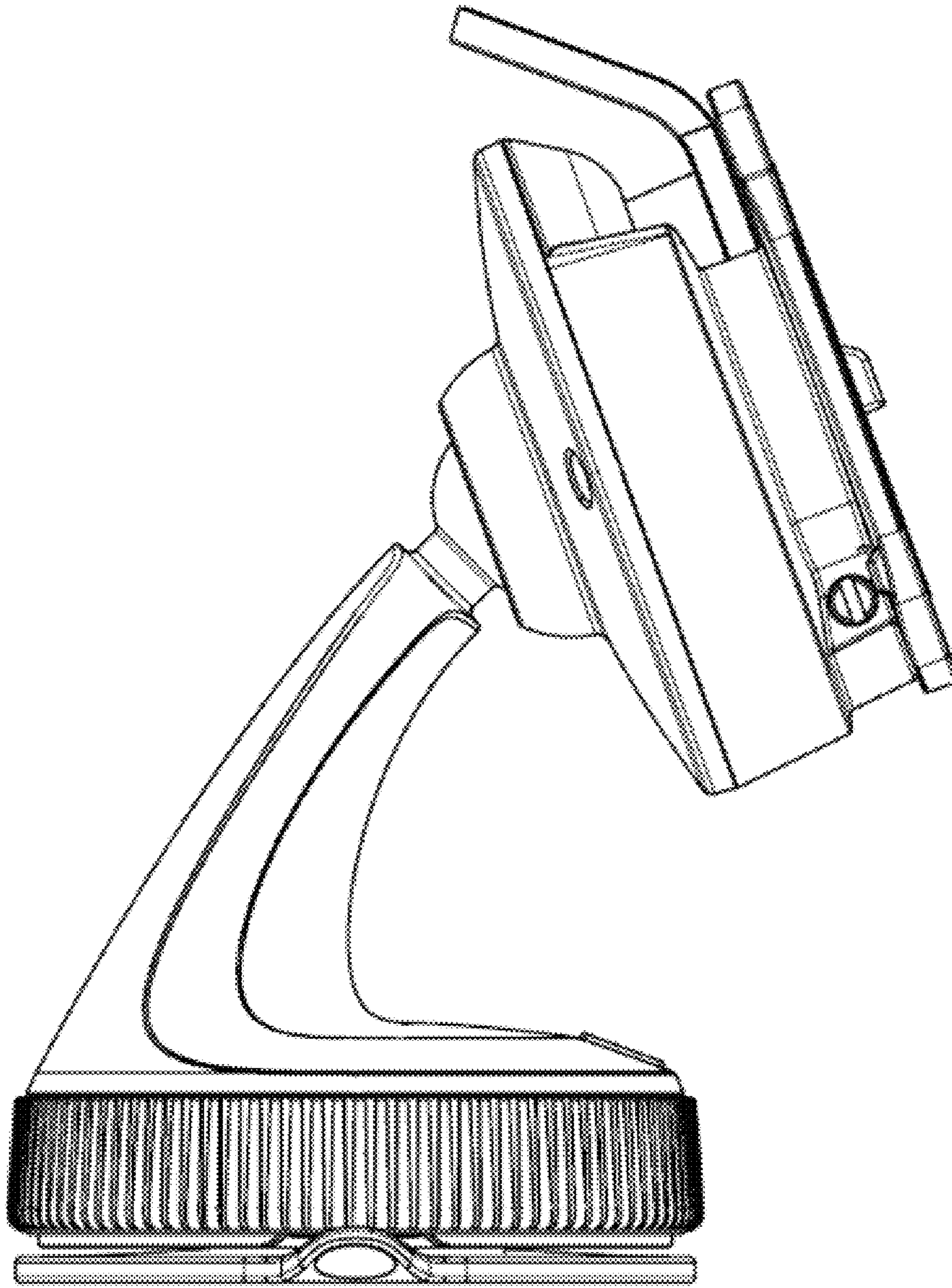


Figure 7