



US00D772738S

(12) **United States Design Patent**
Browning et al.

(10) **Patent No.:** **US D772,738 S**

(45) **Date of Patent:** **** Nov. 29, 2016**

(54) **PORTABLE NAVIGATION DEVICE**

5/02; G01J 5/023; G01J 5/24; G01J 5/10;
G01J 5/20; G01J 5/0235; G01J 5/08; G01J
5/0853; G01J 5/33; G01J 5/34; G01J 5/00

(71) Applicant: **TomTom International B.V.**,
Amsterdam (NL)

See application file for complete search history.

(72) Inventors: **Daniel Browning**, Amsterdam (NL);
Mark Lee Dempsey, Beckenham (GB);
Nicholas Alexander Evans, Amsterdam
(NL); **Reinier Tijssen**, Eindhoven (NL);
Isaac Teece, London (GB); **Kyle**
Loughlin, London (GB); **Marcus**
Hoggarth, London (GB)

(56) **References Cited**

U.S. PATENT DOCUMENTS

D693,707 S *	11/2013	Stevens	D10/65
D720,634 S *	1/2015	Dempsey	D10/65
D729,643 S *	5/2015	Browning	D10/65
D742,258 S *	11/2015	Stevens	D10/65
D751,933 S *	3/2016	Lenz	D10/65
D754,008 S *	4/2016	Huebner	D10/65
D754,551 S *	4/2016	Heikkila	D10/65

(73) Assignee: **TomTom International B.V.**,
Amsterdam (NL)

* cited by examiner

(**) Term: **15 Years**

Primary Examiner — Antoine D Davis

(21) Appl. No.: **29/531,321**

(57) **CLAIM**

(22) Filed: **Jun. 25, 2015**

The ornamental design for a portable navigation device, as shown and described.

(30) **Foreign Application Priority Data**

DESCRIPTION

Jan. 12, 2015 (EM) 002611822-001

(51) **LOC (10) Cl.** **10-04**

FIG. 1 is a perspective view showing the front and upper surface of the device.

(52) **U.S. Cl.**
USPC **D10/65**

FIG. 2 is a front view of the device.

(58) **Field of Classification Search**
USPC D10/65, 70
CPC G08G 1/096883; G08G 1/096872;
G08G 1/096775; G01C 21/16; G01C
21/3688; G01C 21/30; G01V 8/20; G01J

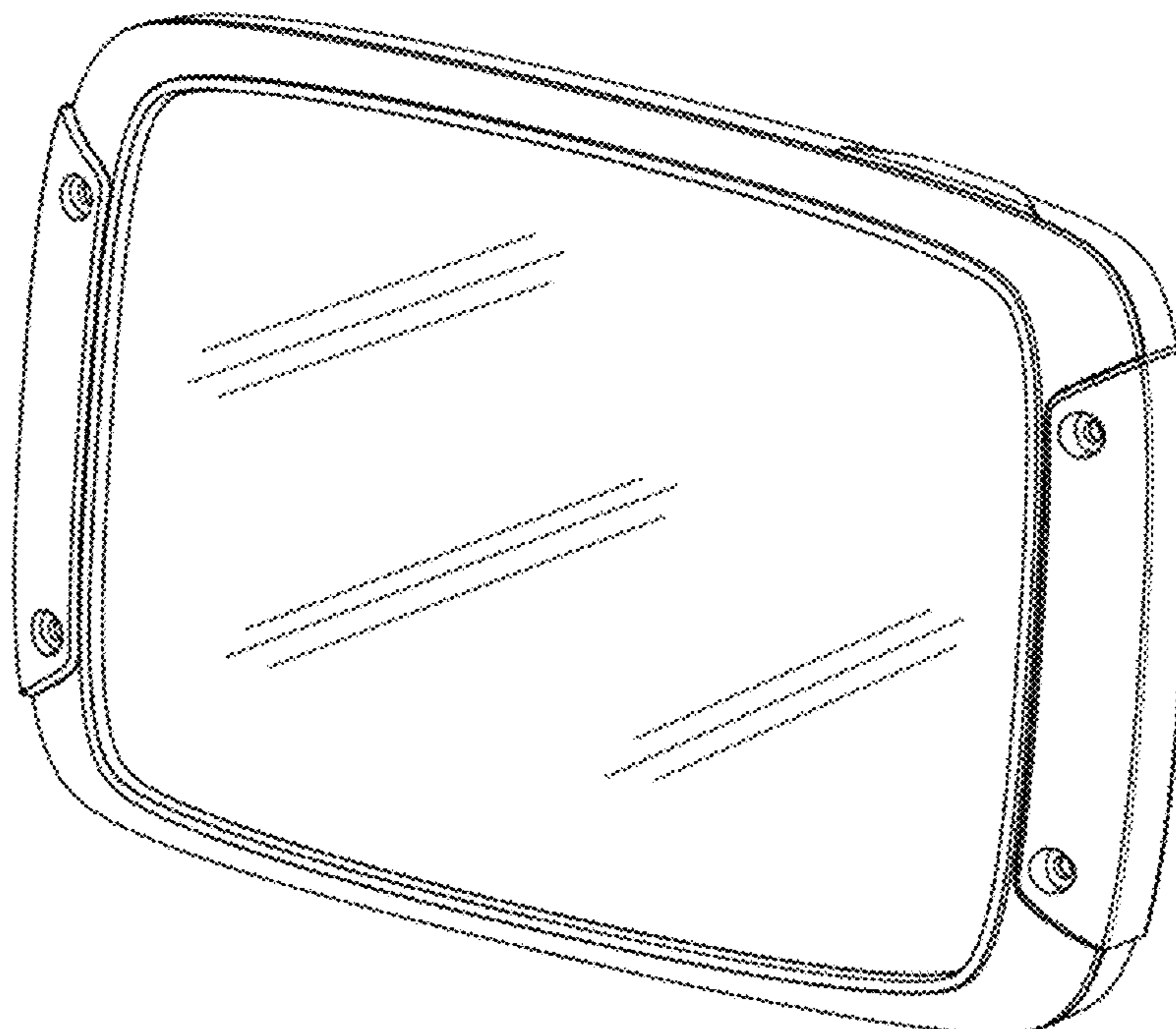
FIG. 3 is a rear view of the device.

FIG. 4 is a bottom view of the device.

FIG. 5 is a top view of the device; and,

FIGS. 6 and 7 are opposing side views of the device.

1 Claim, 4 Drawing Sheets



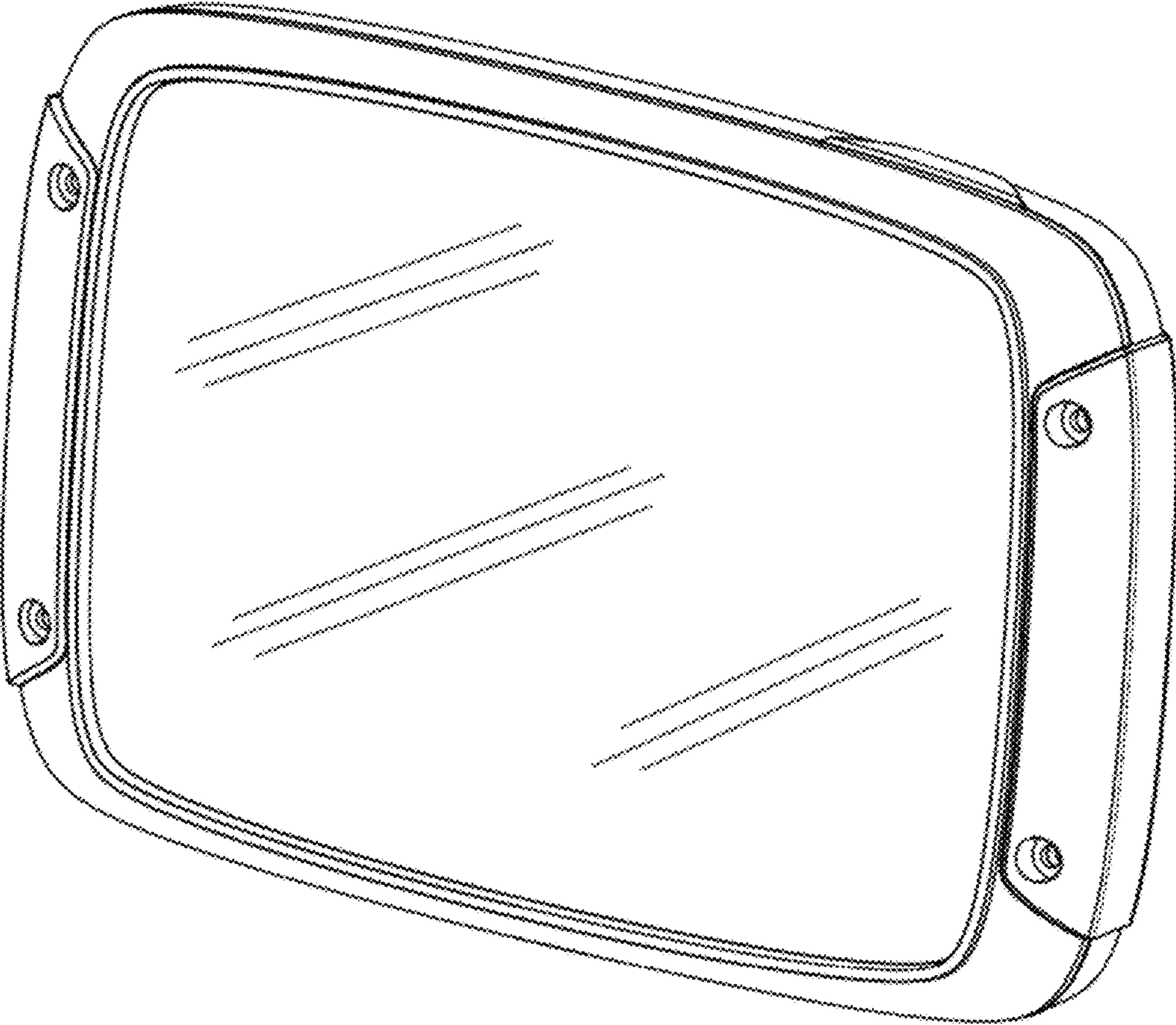


Figure 1

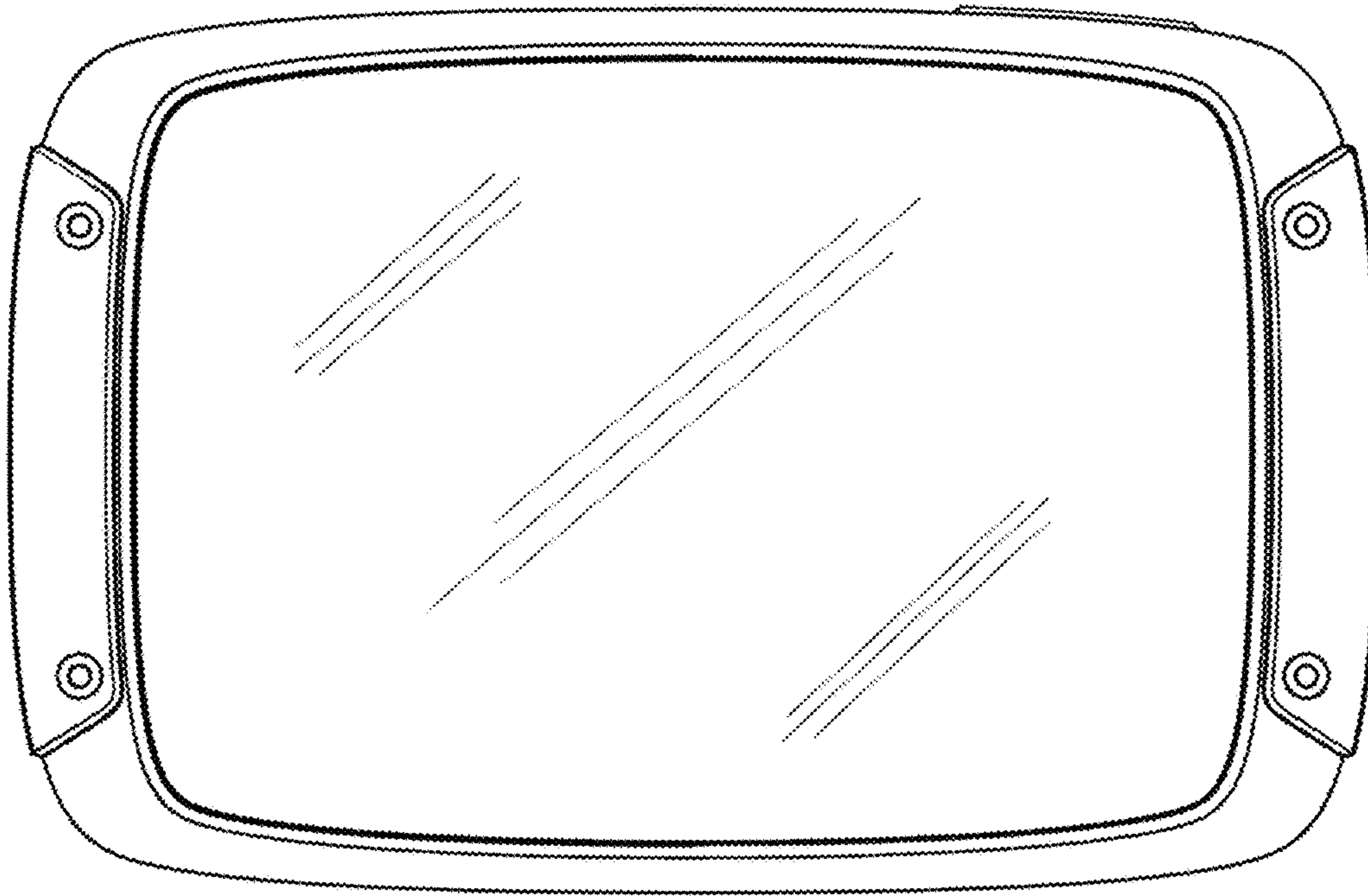


Figure 2

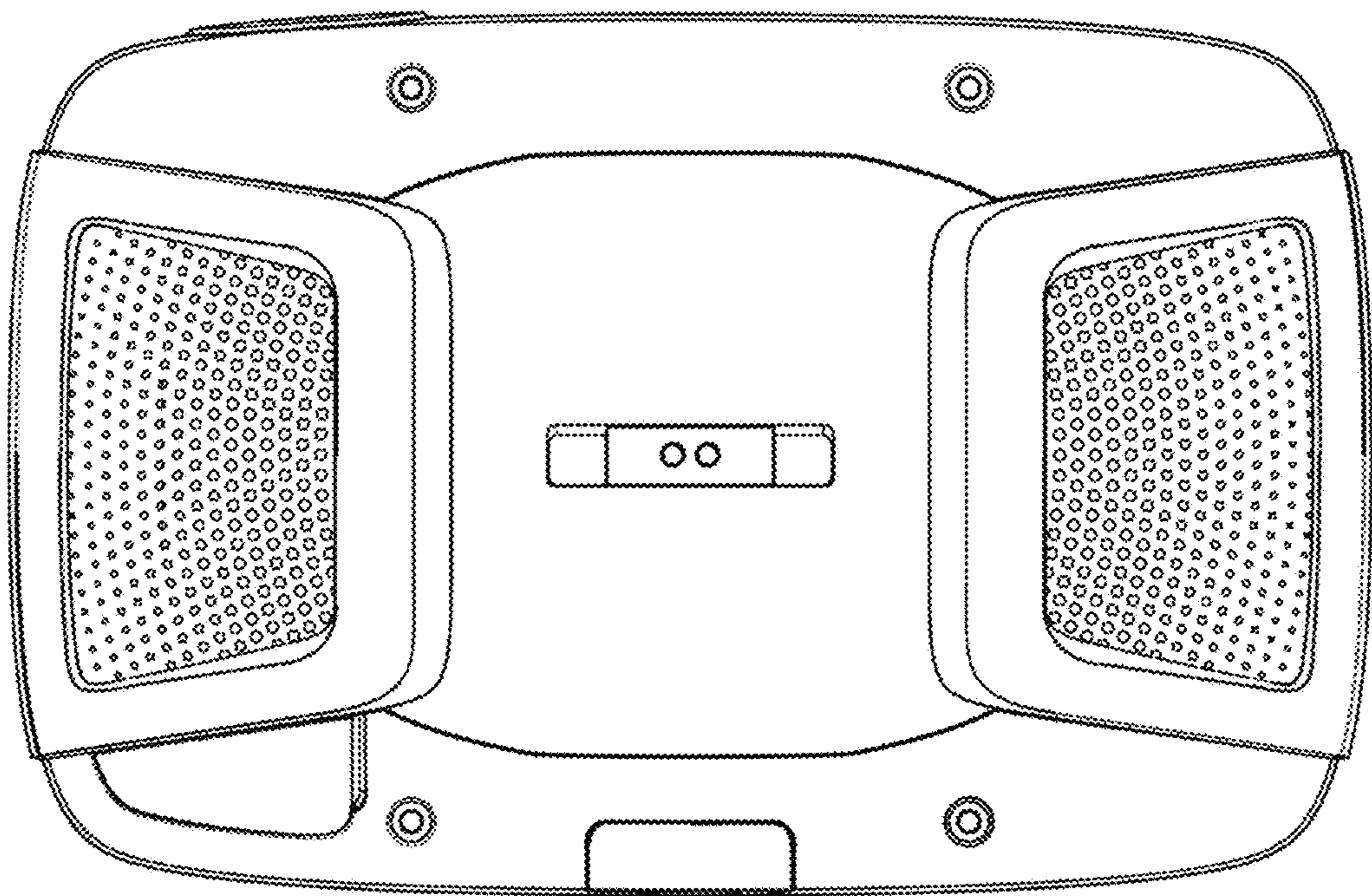


Figure 3

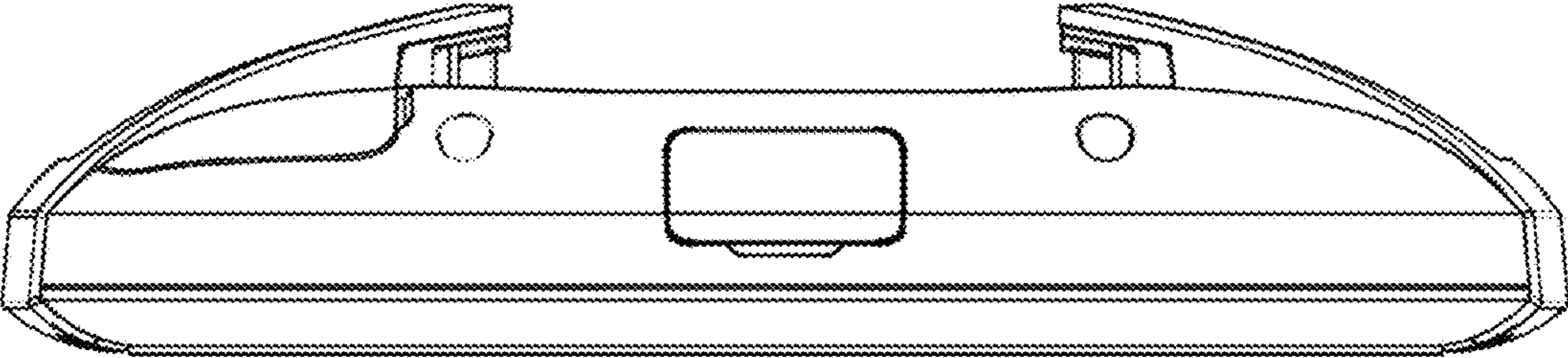


Figure 4

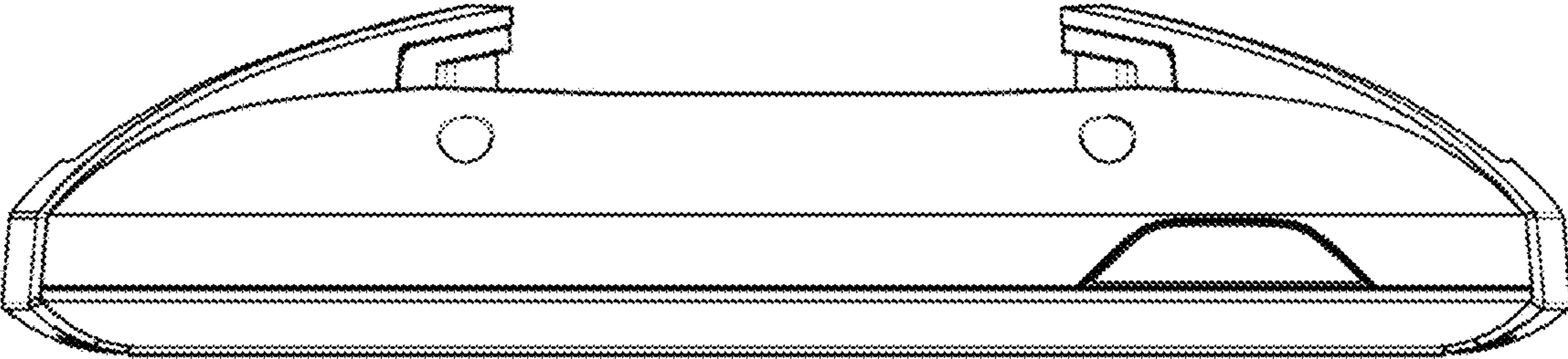


Figure 5

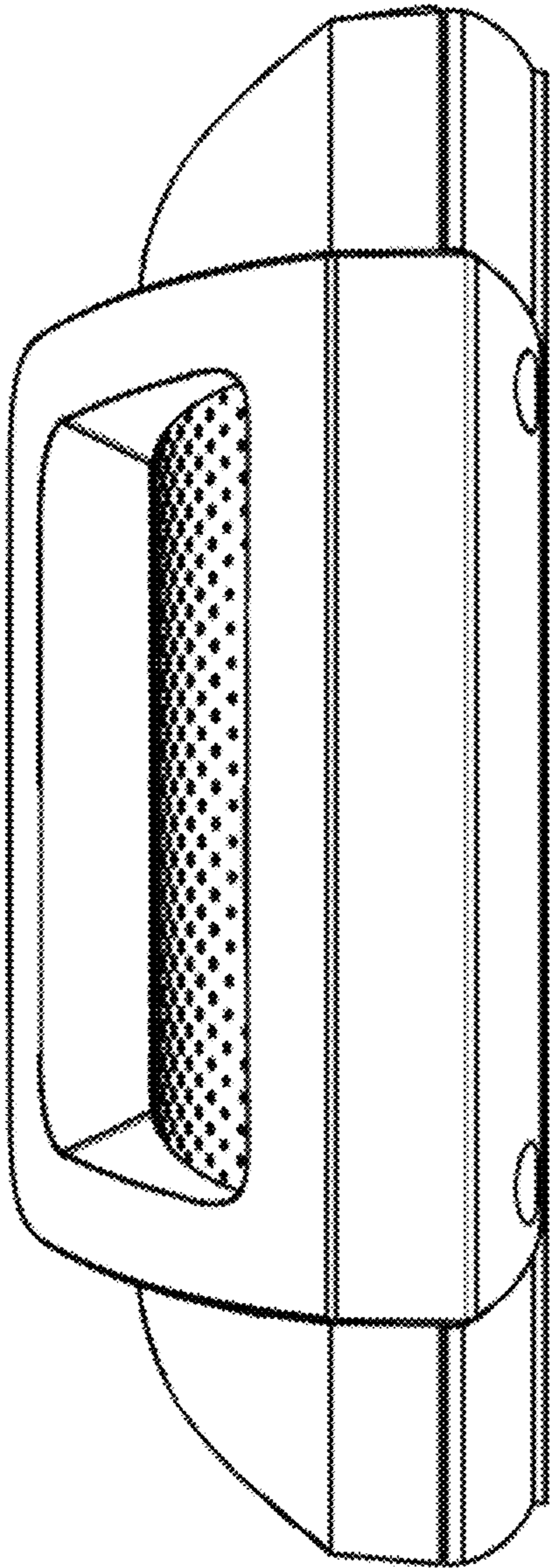


Figure 6

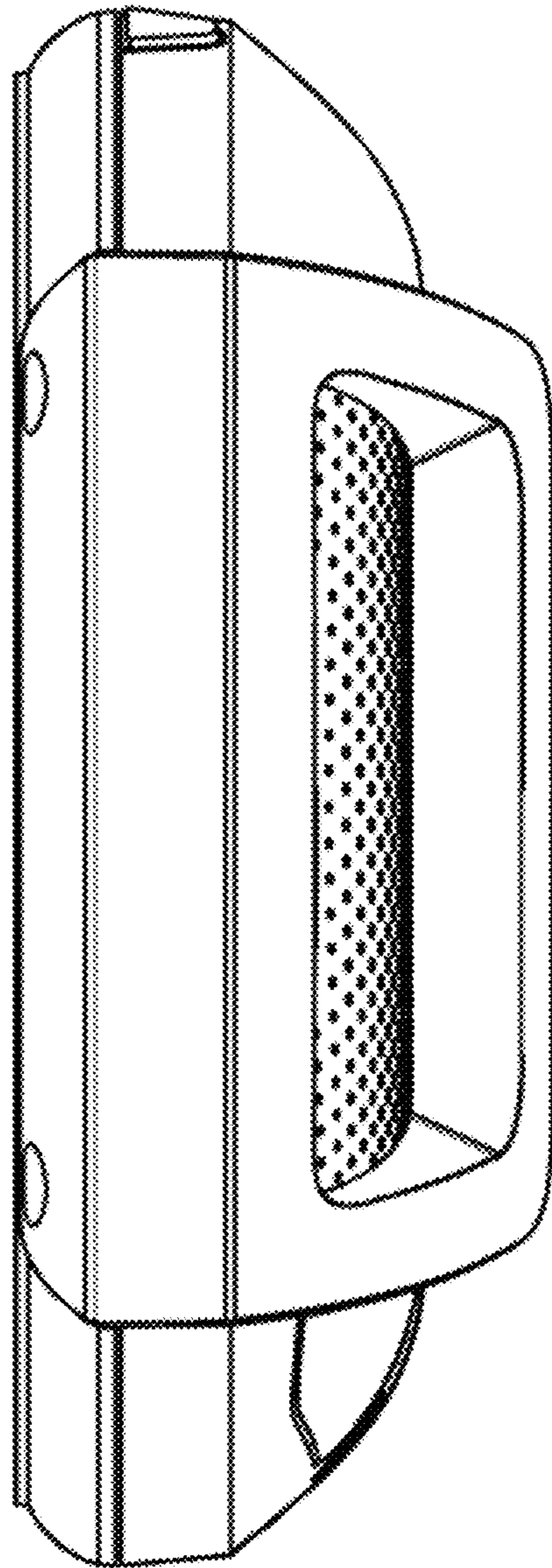


Figure 7