



US00D772737S

(12) **United States Design Patent** (10) **Patent No.:** **US D772,737 S**
Robinson et al. (45) **Date of Patent:** **** Nov. 29, 2016**

(54) **GLOBAL NAVIGATION SATELLITE SYSTEM (GNSS) RECEIVER HOUSING**

(71) Applicant: **Trimble Navigation Limited**, Sunnyvale, CA (US)

(72) Inventors: **Scott Robinson**, Sacramento, CA (US); **Karl Forsberg**, Segeltorp (SE); **Niklas Briheim**, Stockholm (SE); **Jack Warner**, Bellingham, WA (US)

(73) Assignee: **Trimble Navigation Limited**, Sunnyvale, CA (US)

(**) Term: **15 Years**

(21) Appl. No.: **29/531,305**

(22) Filed: **Jun. 24, 2015**

(51) **LOC (10) Cl.** **10-04**

(52) **U.S. Cl.**
USPC **D10/65**

(58) **Field of Classification Search**
USPC D10/65, 70
CPC G08G 1/096883; G08G 1/096872; G08G 1/096775; G01C 21/16; G01C 21/3688; G01C 21/30; G01V 8/20; G01J 5/02; G01J 5/023; G01J 5/24; G01J 5/10; G01J 5/20; G01J 5/0235; G01J 5/08; G01J 5/0853; G01J 5/33; G01J 5/34; G01J 5/00
See application file for complete search history.

(56) **References Cited**

U.S. PATENT DOCUMENTS

D697,438 S * 1/2014 Rector, III D10/65
D752,998 S * 4/2016 Robinson D10/65

OTHER PUBLICATIONS

Scott Keith Robinson et al., U.S. Appl. No. 29/515,067, filed Jan. 20, 2015.

* cited by examiner

Primary Examiner — Antoine D Davis

(74) *Attorney, Agent, or Firm* — Kilpatrick Townsend & Stockton LLP

(57) **CLAIM**

The ornamental design for a global navigation satellite system (GNSS) receiver housing, as shown and described.

DESCRIPTION

FIG. 1 is a front perspective view of a global navigation satellite system (GNSS) receiver housing showing the new design;

FIG. 2 is a back perspective view thereof;

FIG. 3 is a front elevational view thereof;

FIG. 4 is a back elevational view thereof;

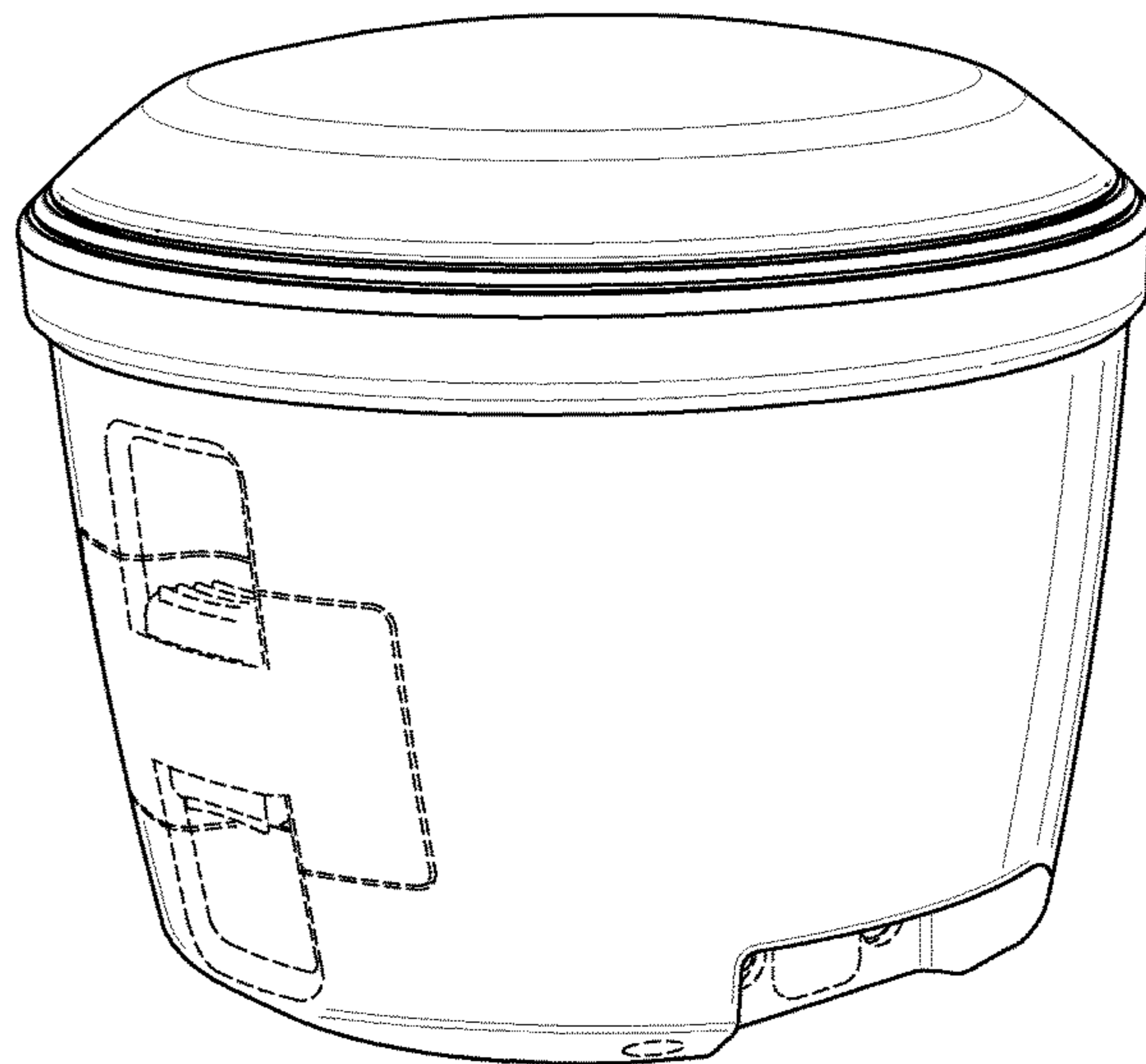
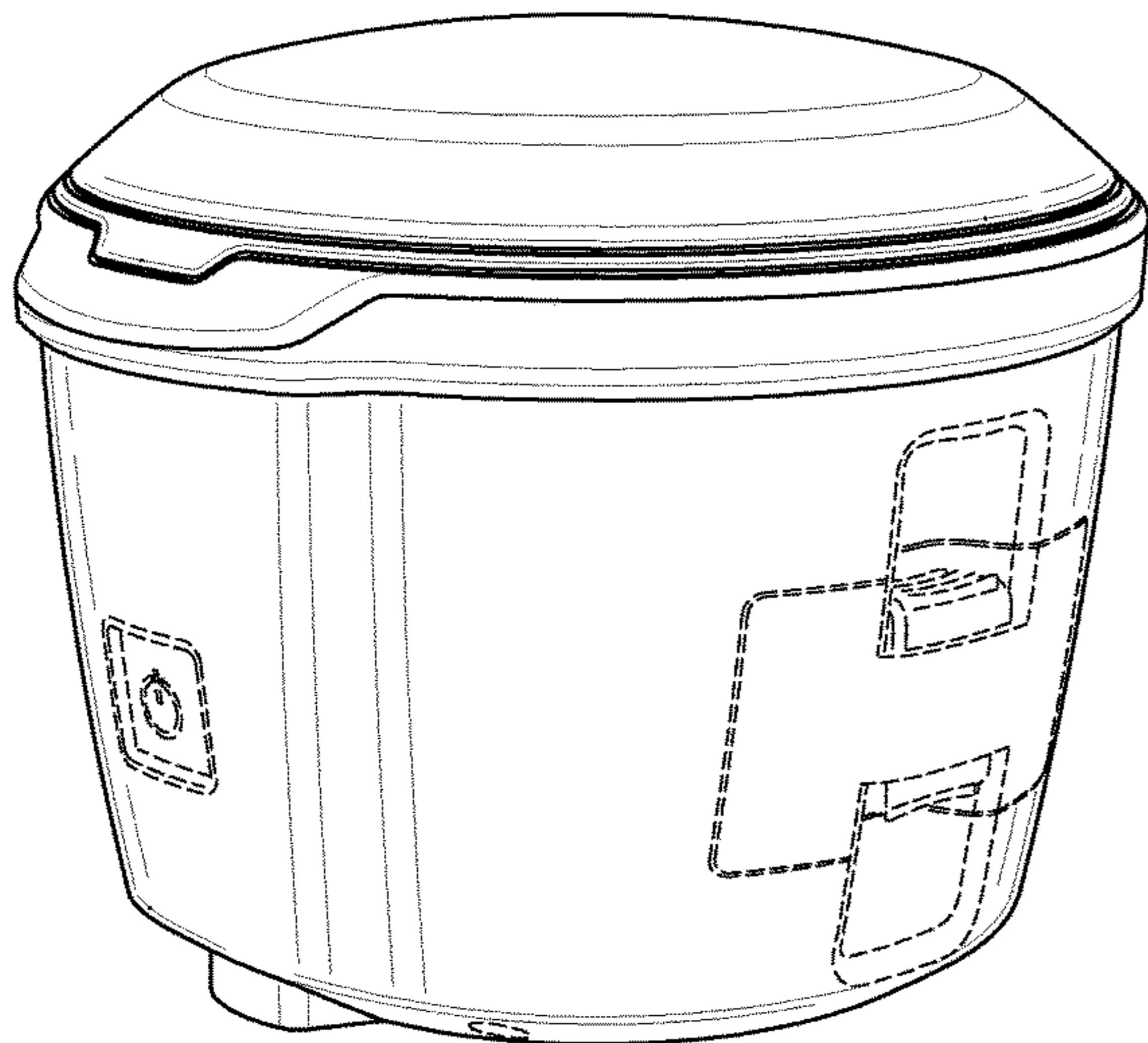
FIG. 5 is a right side elevational view thereof;

FIG. 6 is a left side elevational view thereof;

FIG. 7 is a top plan view thereof; and,

FIG. 8 is a bottom plan view thereof.

1 Claim, 4 Drawing Sheets



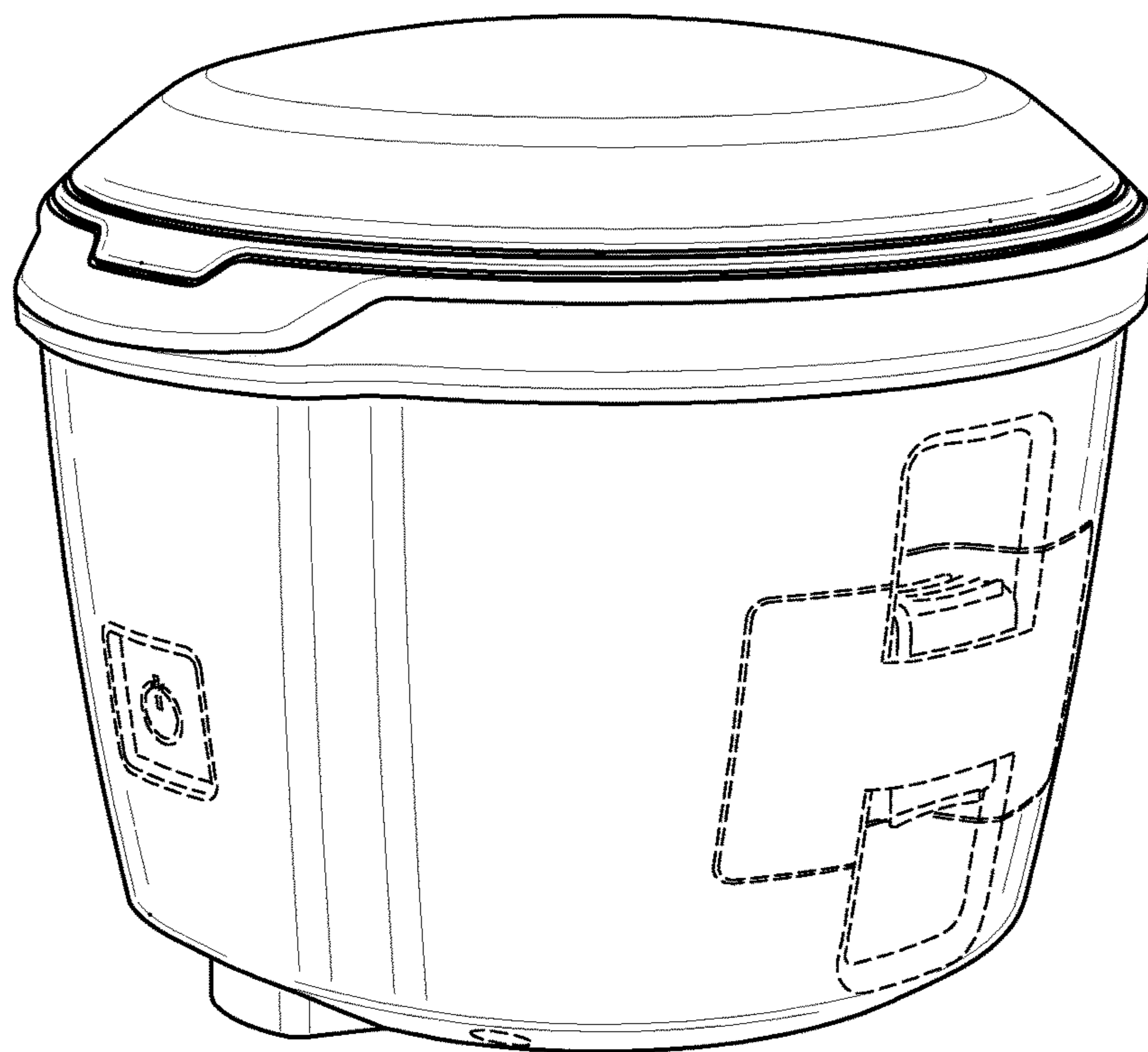


FIG. 1

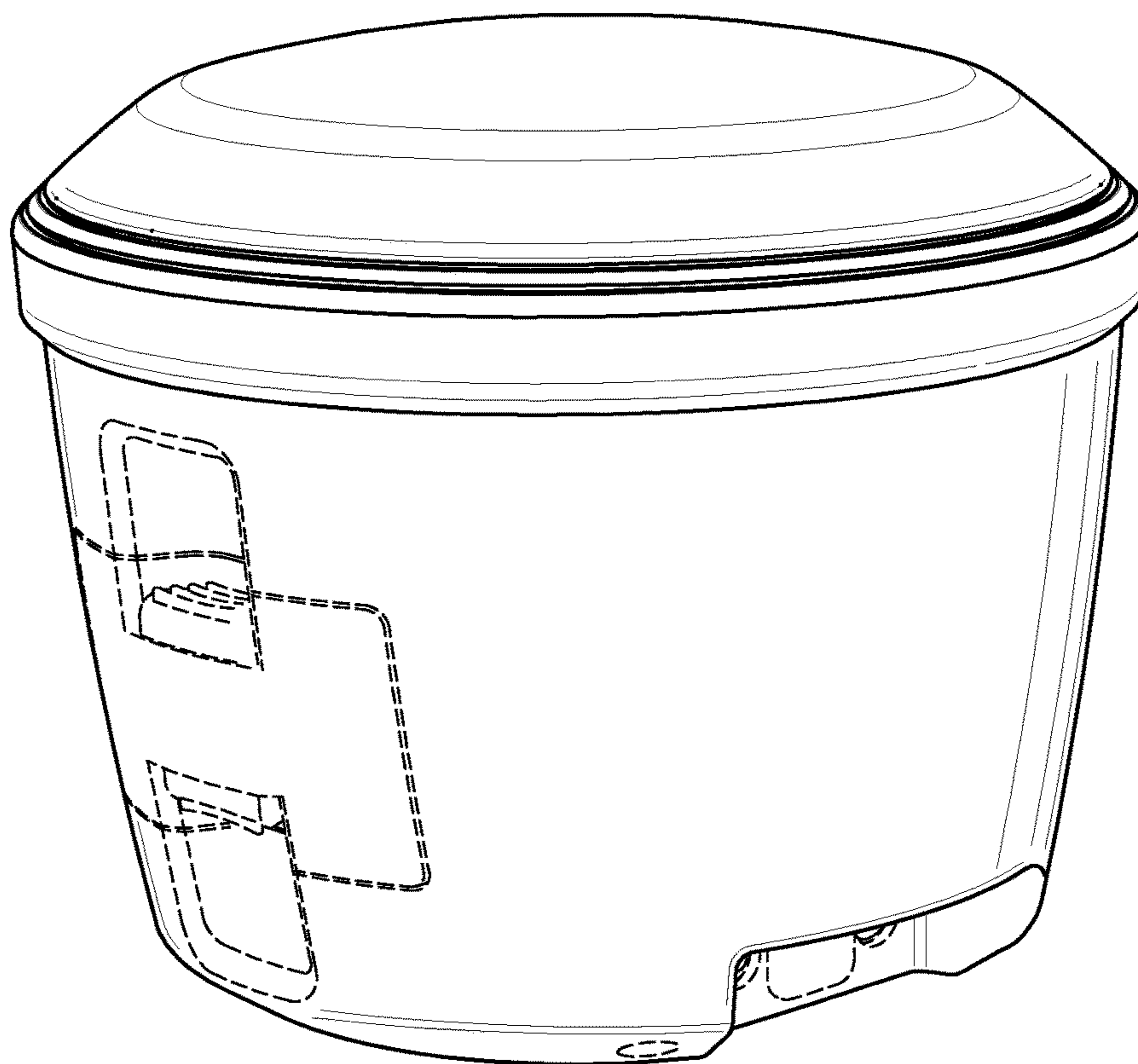


FIG. 2

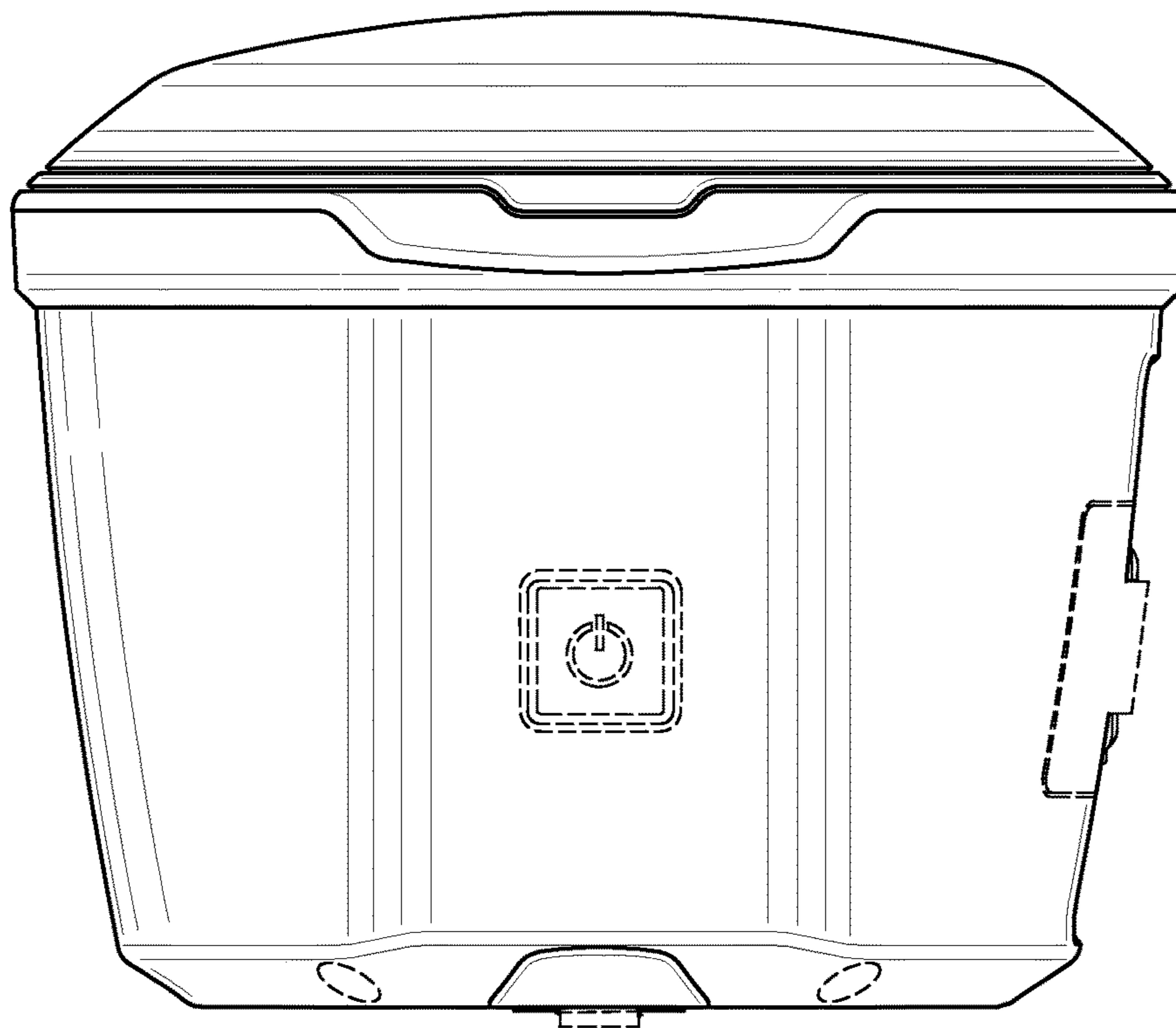


FIG. 3

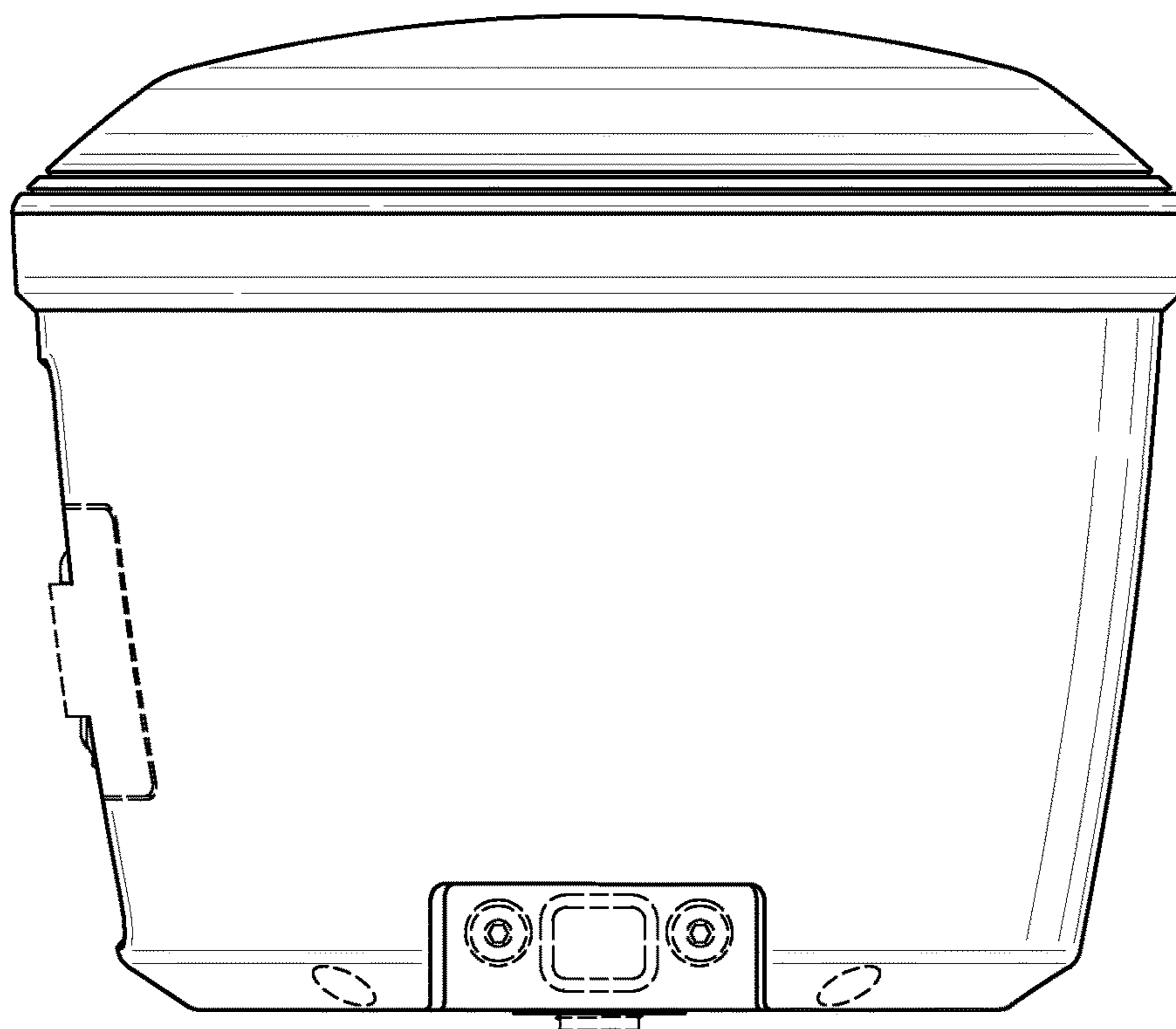


FIG. 4

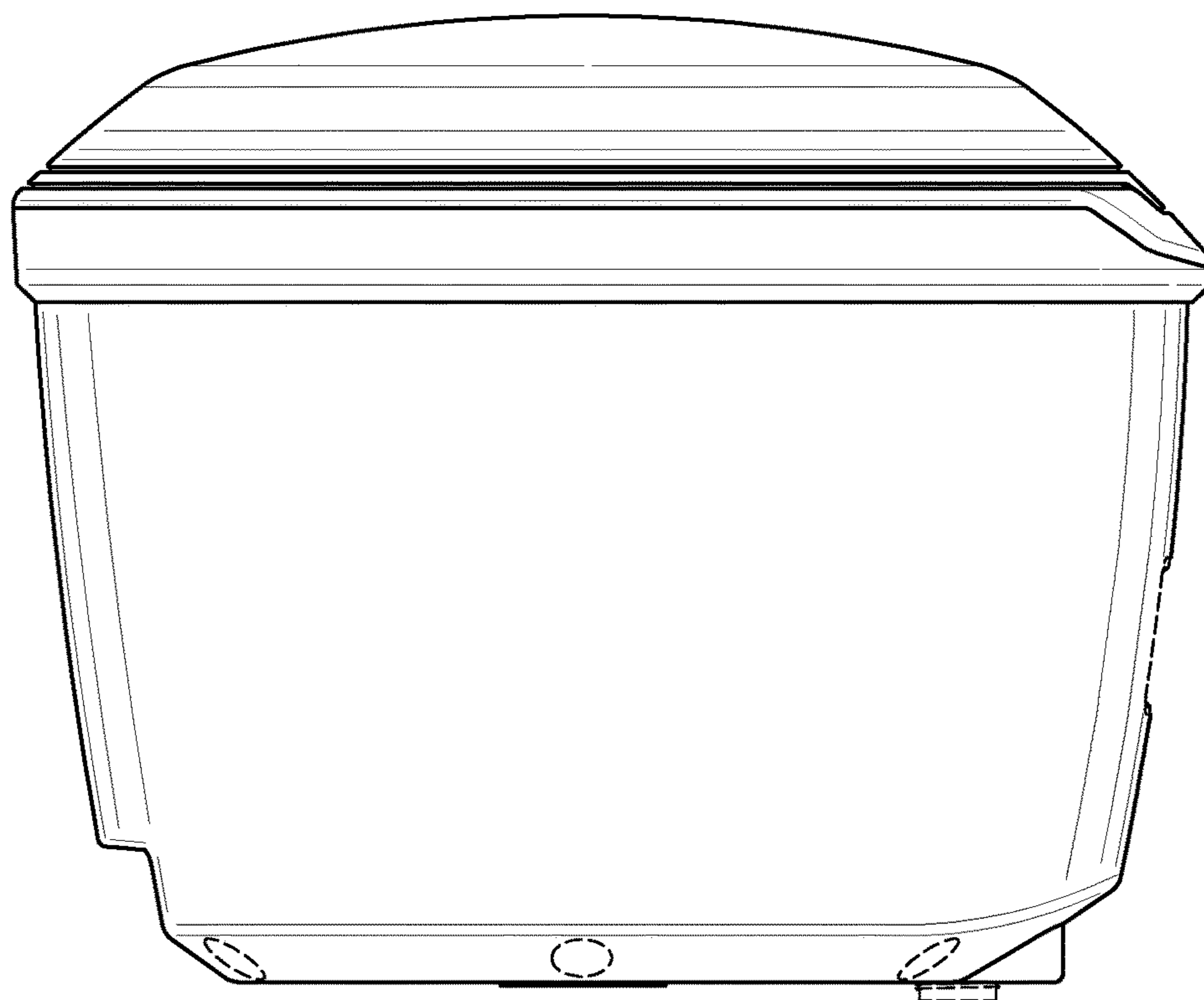


FIG. 5

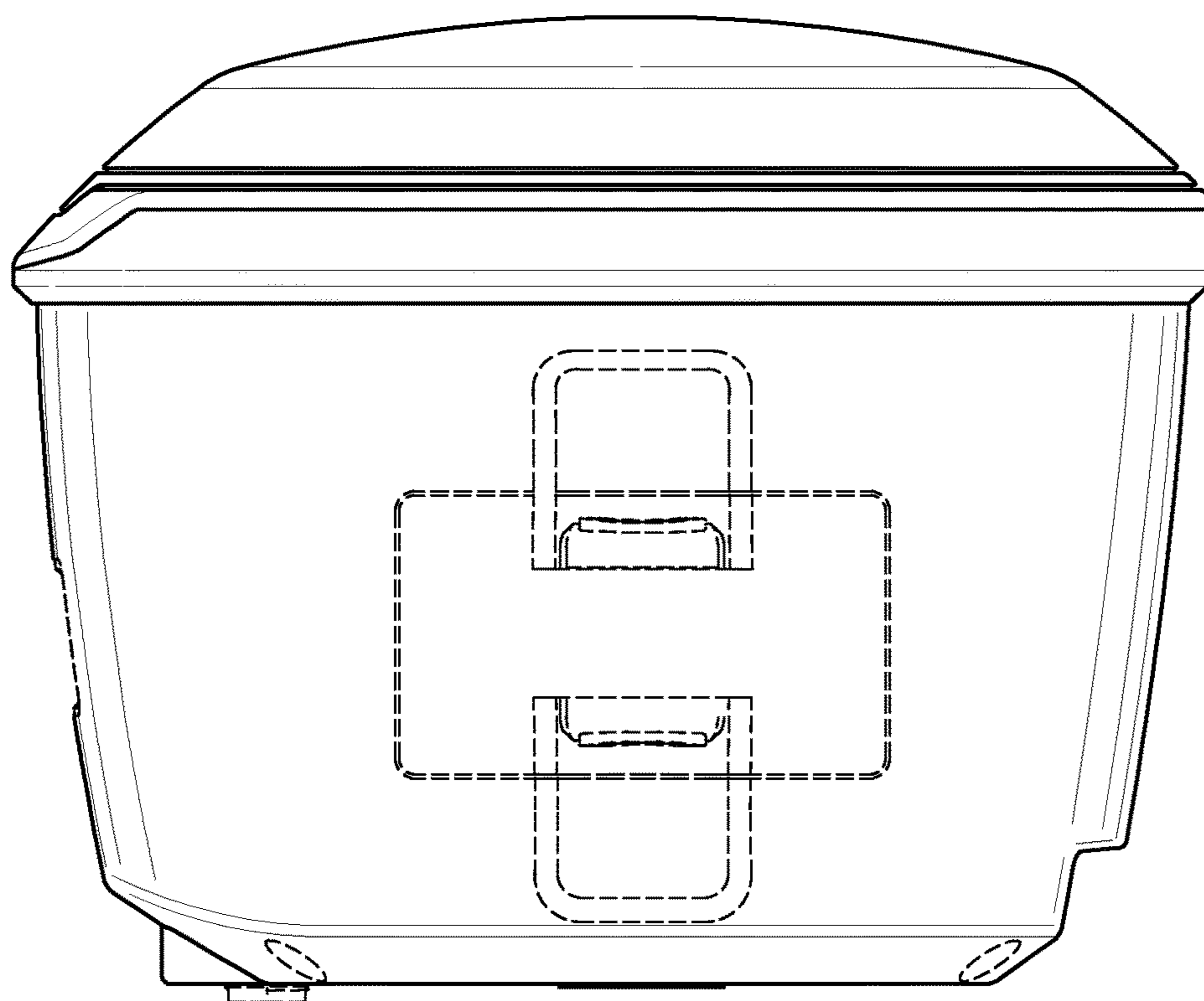


FIG. 6

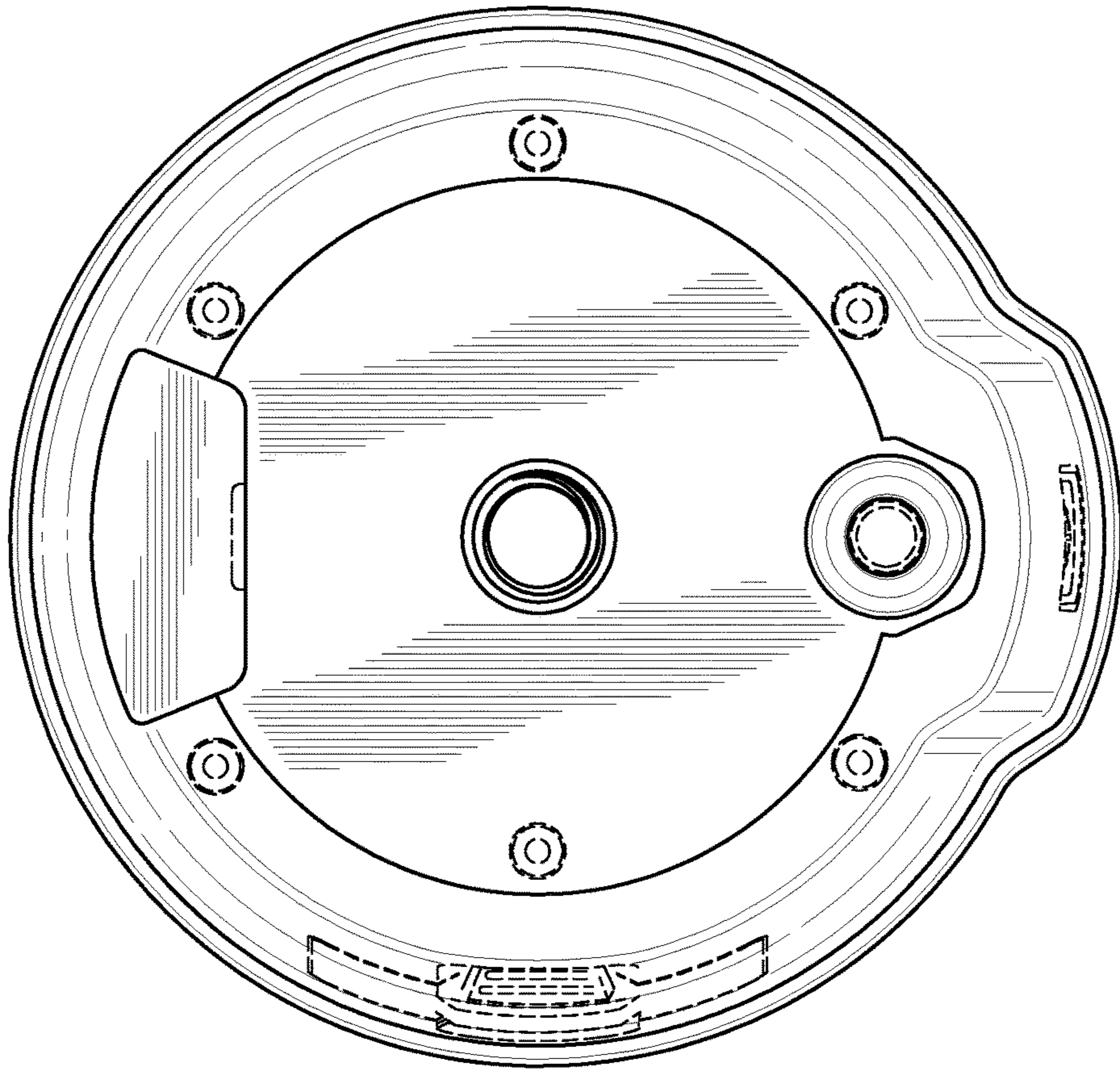


FIG. 8

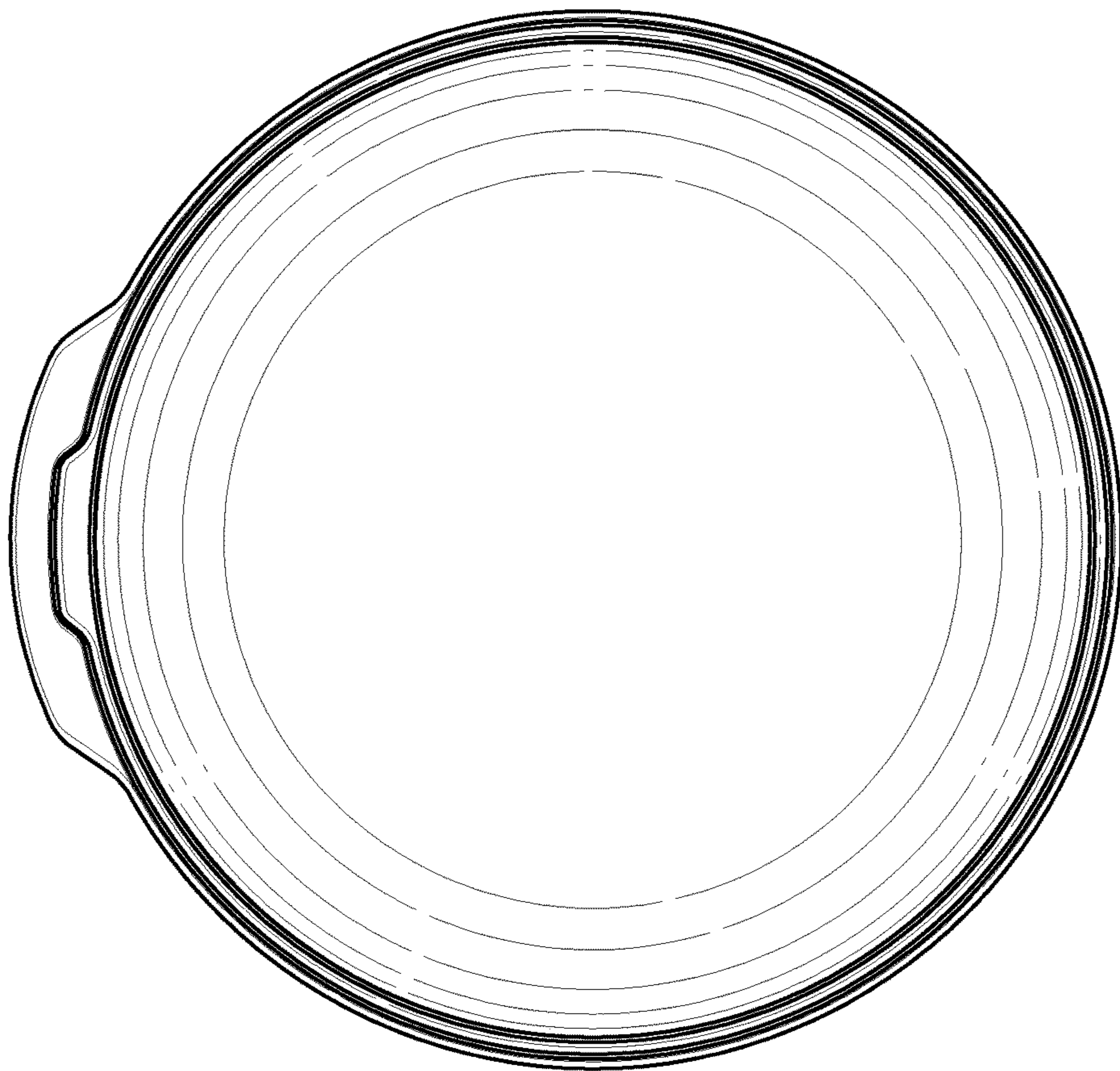


FIG. 7