



US00D772735S

(12) **United States Design Patent**
Mansueto et al.

(10) **Patent No.:** **US D772,735 S**

(45) **Date of Patent:** **** Nov. 29, 2016**

(54) **THERMOSTAT/HUB FOR CLIMATE CONTROL AND MONITORING**

(71) Applicant: **Tronac Pty Ltd**, Kenthurst (AU)

(72) Inventors: **David Mansueto**, Balmain (AU);
David Jones, Balmain (AU); **Angus Bean**, Balmain (AU); **Kevin Brian Mundy**, Kenthurst (AU)

(73) Assignee: **Tronac Pty Ltd**, Kenthurst, NSW (AU)

(**) Term: **15 Years**

(21) Appl. No.: **29/527,779**

(22) Filed: **May 21, 2015**

(30) **Foreign Application Priority Data**

Mar. 26, 2015 (AU) 201511635

(51) **LOC (10) Cl.** **10-04**

(52) **U.S. Cl.**
USPC **D10/50; D10/60; D13/162.1**

(58) **Field of Classification Search**
USPC D10/49, 50, 60, 103; D13/162, 162.1,
D13/163, 164, 177
CPC F23N 5/20; F23N 5/203; F23N 5/206;
F23N 5/18; F23N 5/184; F23N 5/187;
F23N 5/22; F23N 2025/12; F23N 2041/02;
F24F 11/00; F24F 11/0012; F24F 11/0009;
F24F 11/001; F24F 2011/0057; F24F
2011/0073; F24F 2011/0091
See application file for complete search history.

(56) **References Cited**

U.S. PATENT DOCUMENTS

D334,542 S * 4/1993 Lowe D10/104.1
D361,287 S * 8/1995 Guy D10/50
D364,103 S * 11/1995 Stievenart D10/50
D413,073 S * 8/1999 Brechbill D10/50

D415,044 S * 10/1999 Brechbill D10/50
D425,801 S * 5/2000 Brechbill D10/50
D425,802 S * 5/2000 Brechbill D10/50
D672,666 S * 12/2012 Rhodes D10/50
D688,955 S * 9/2013 Deligiannis D10/50
D695,234 S * 12/2013 Santiago D13/162
D699,130 S * 2/2014 Rhodes D10/50

* cited by examiner

Primary Examiner — Antoine D Davis

(74) *Attorney, Agent, or Firm* — The Webb Law Firm

(57) **CLAIM**

The ornamental design for a thermostat/hub for climate control and monitoring, as shown and described.

DESCRIPTION

FIG. 1 is a front perspective view of a thermostat/hub for climate control and monitoring, showing our new design in accordance with the invention;

FIG. 2 is a rear perspective view thereof;

FIG. 3 is a front view thereof;

FIG. 4 is a rear view thereof;

FIG. 5 is a right side view thereof;

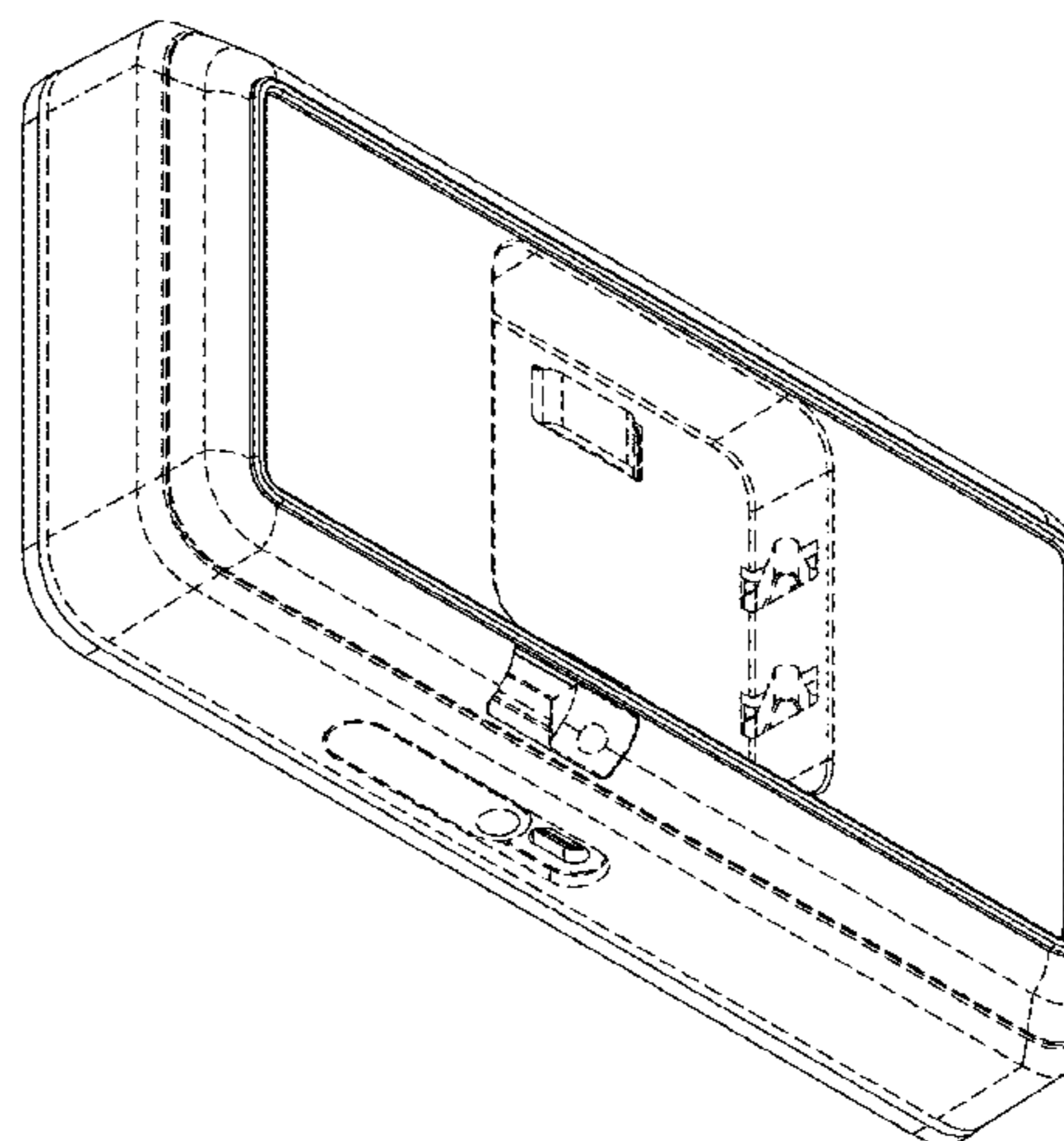
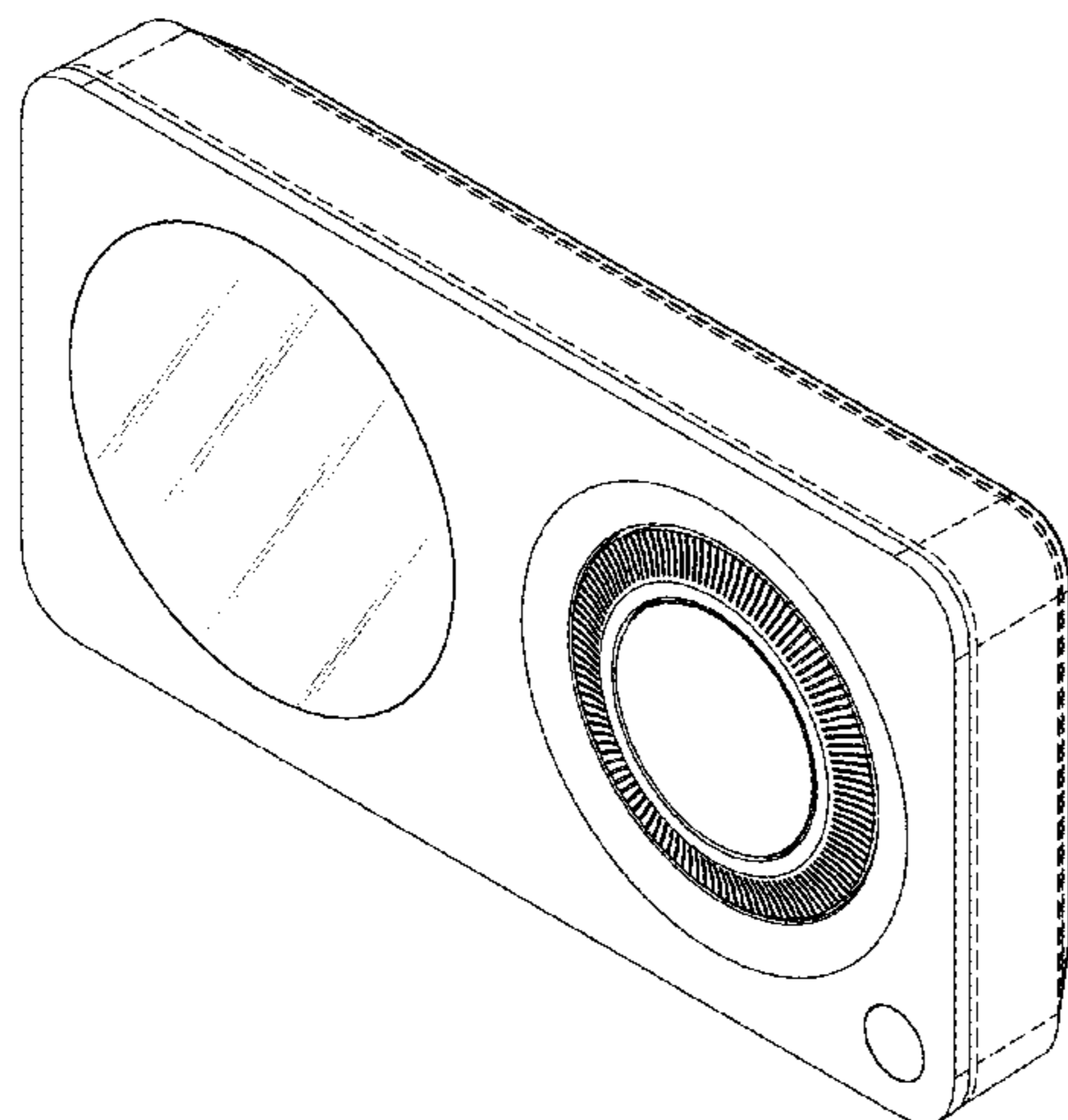
FIG. 6 is a left side view thereof;

FIG. 7 is a top view thereof; and,

FIG. 8 is a bottom view thereof.

The portions of the thermostat/hub for climate control and monitoring shown in broken lines form no part of the claimed design.

1 Claim, 8 Drawing Sheets



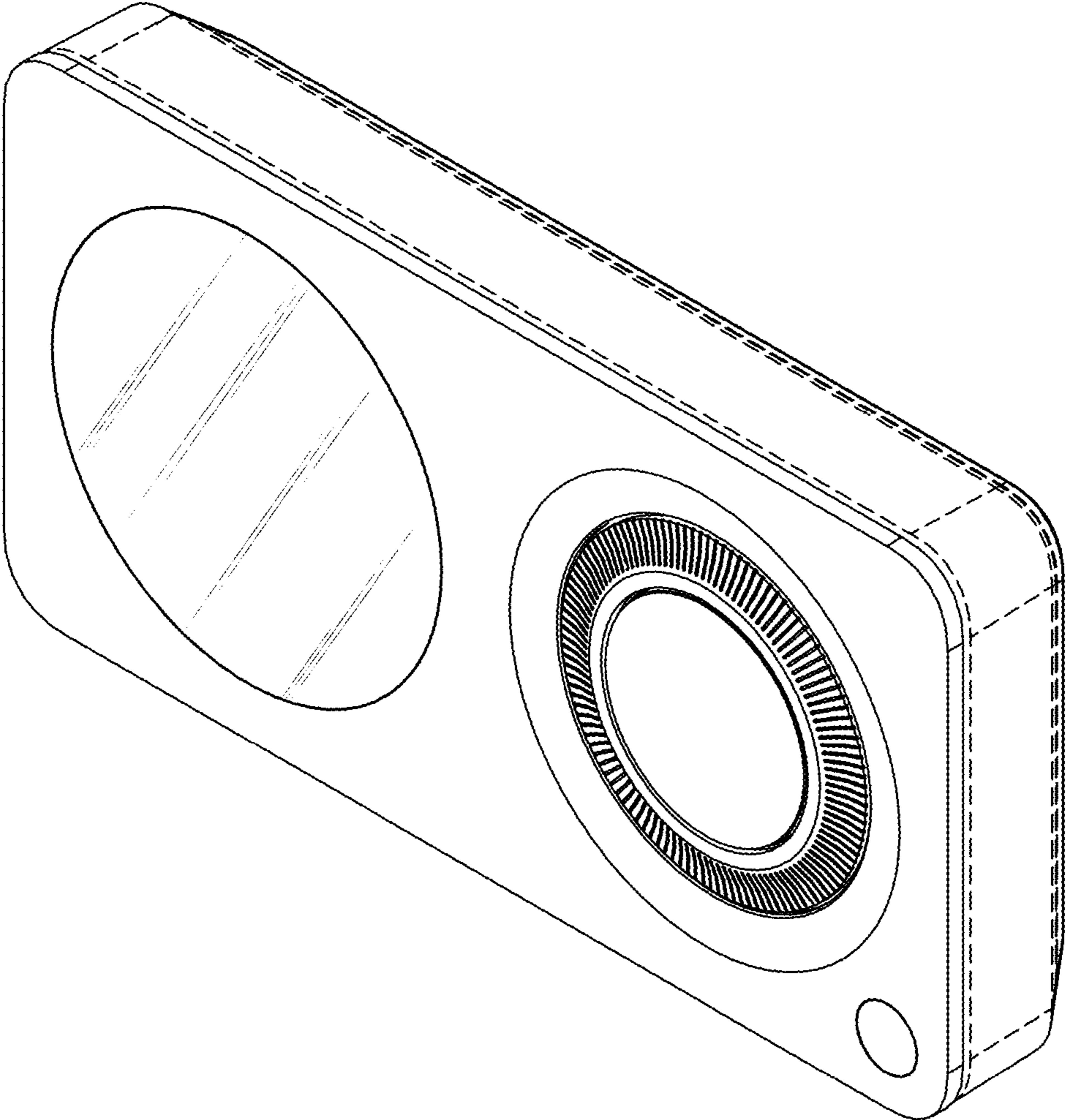


Figure 1

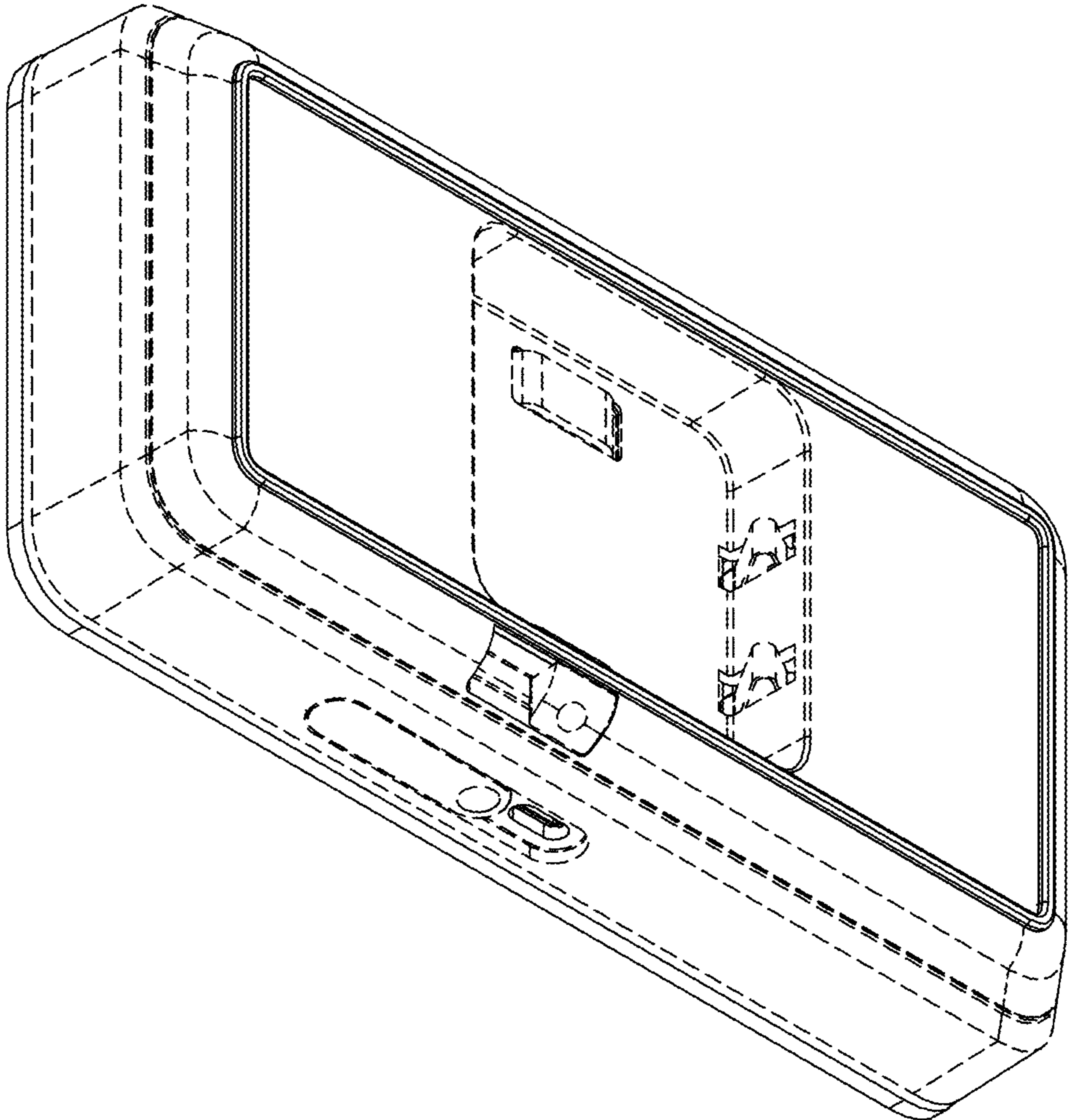


Figure 2

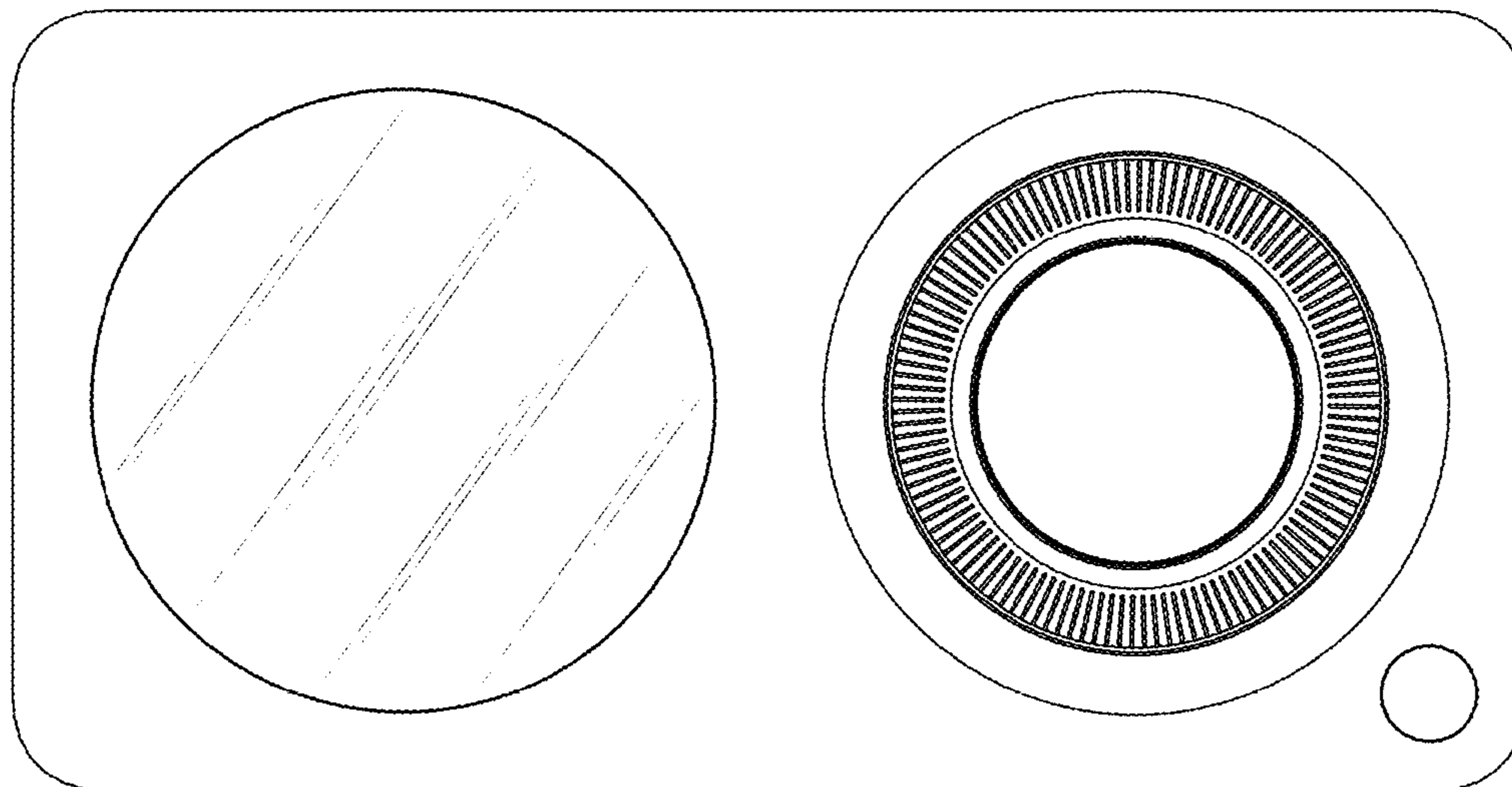


Figure 3

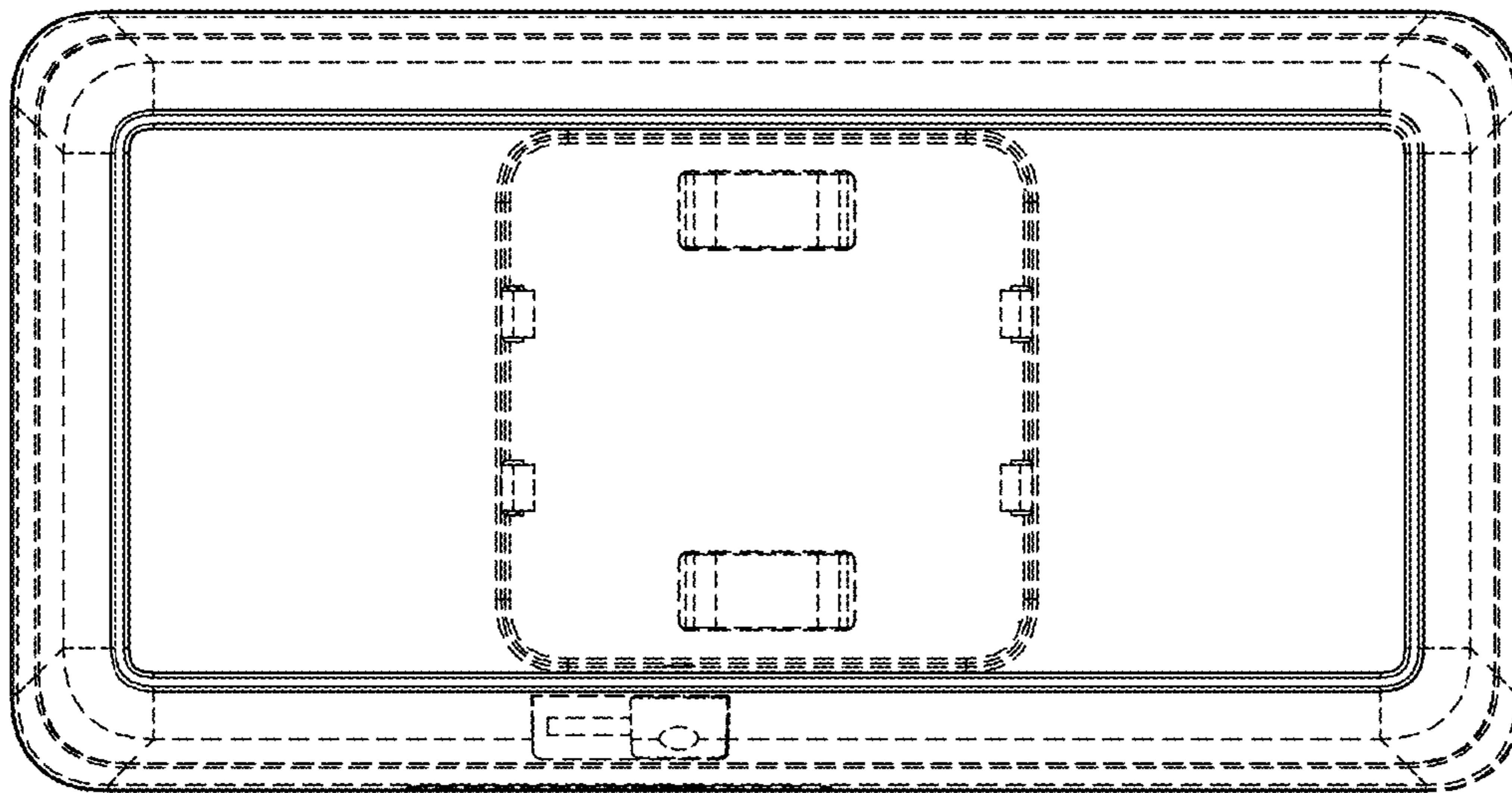


Figure 4

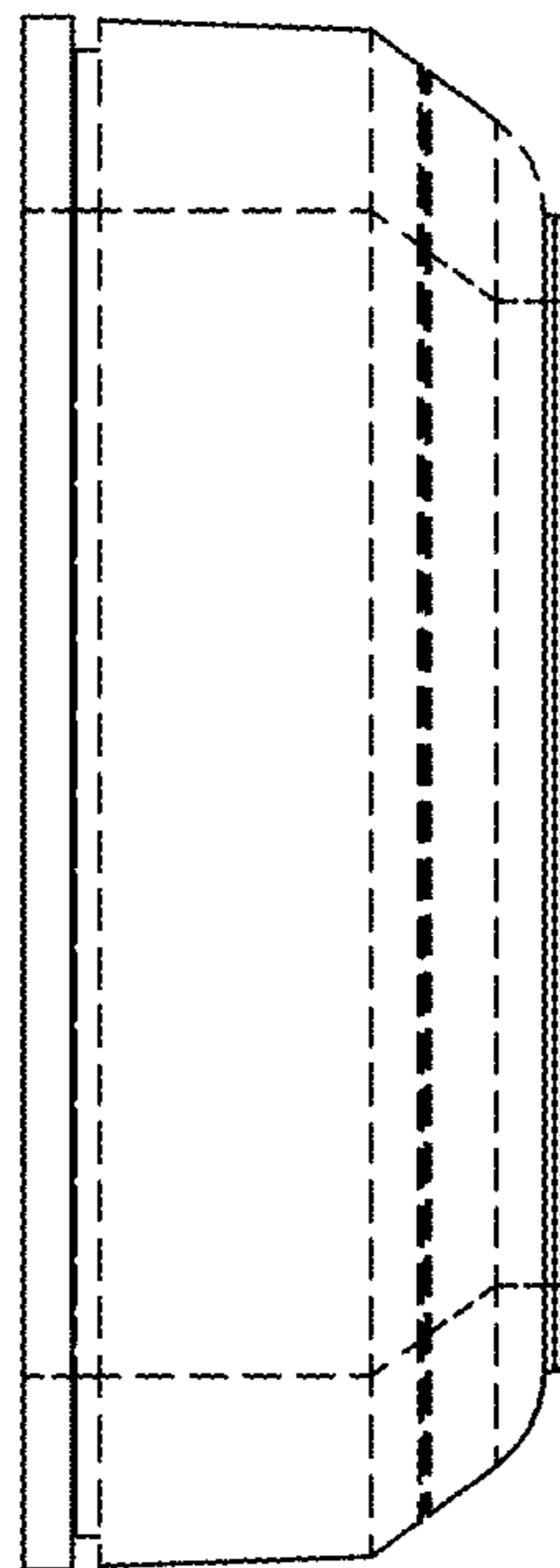


Figure 5

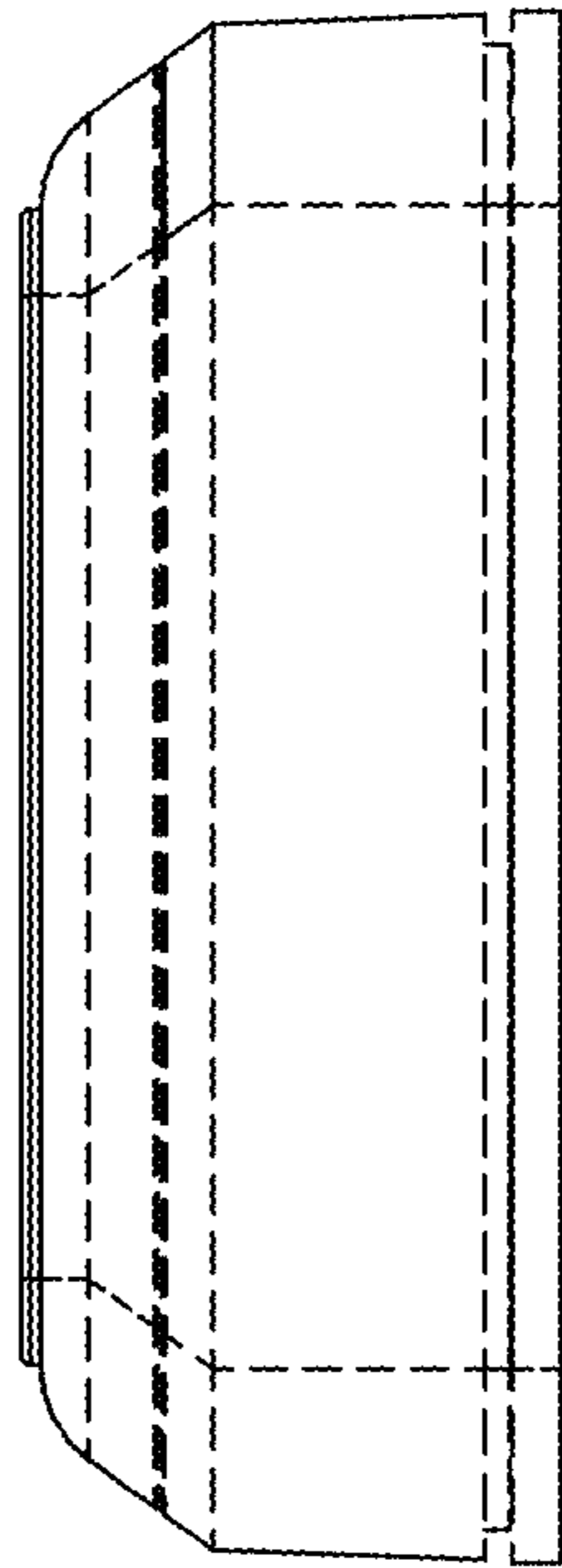


Figure 6

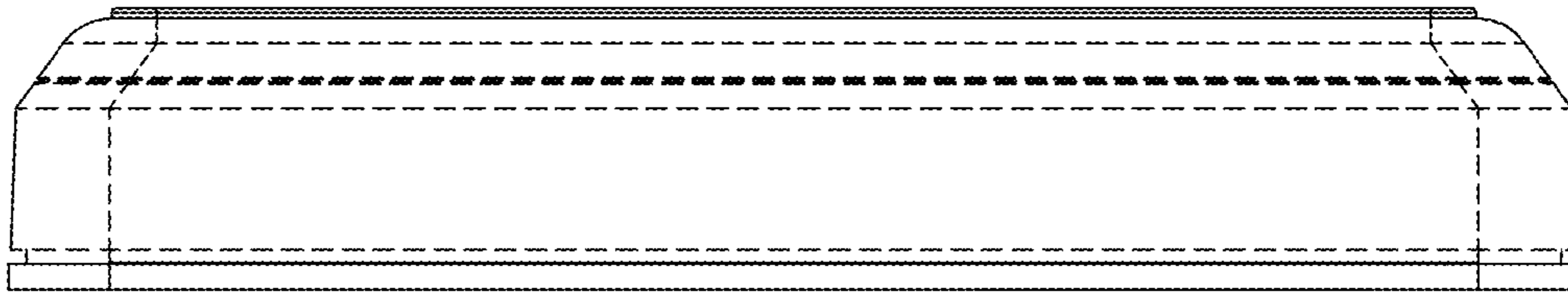


Figure 7

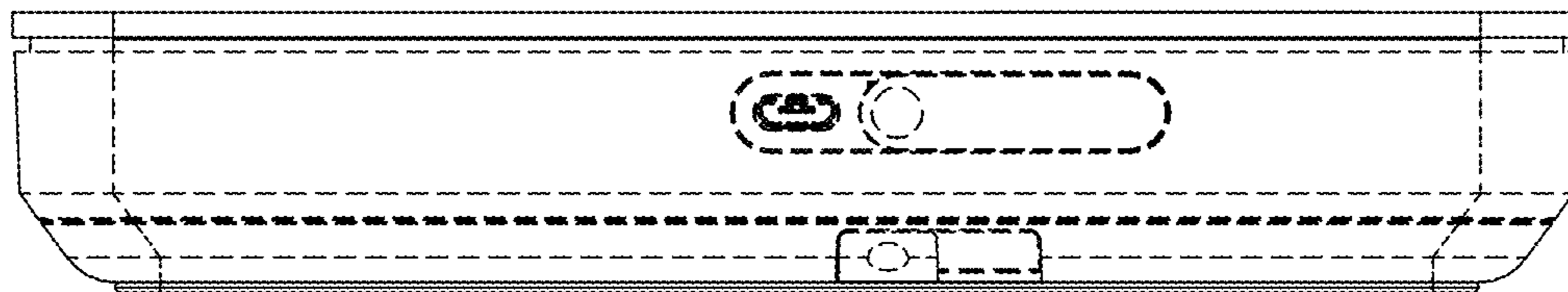


Figure 8