



US00D772733S

(12) **United States Design Patent** (10) **Patent No.:** **US D772,733 S**  
**Stueckemann et al.** (45) **Date of Patent:** **\*\* Nov. 29, 2016**

(54) **TIMER**  
(71) Applicants: **Peter C. Stueckemann**, Libertyville, IL (US); **Max Bock-Aronson**, Minneapolis, MN (US); **Christopher Alan Harris**, Madison, WI (US)  
(72) Inventors: **Peter C. Stueckemann**, Libertyville, IL (US); **Max Bock-Aronson**, Minneapolis, MN (US); **Christopher Alan Harris**, Madison, WI (US)

D652,333 S \* 1/2012 Bond ..... D10/104.1  
D664,876 S \* 8/2012 Krumpe ..... D10/106.6  
D668,966 S \* 10/2012 Scott ..... D10/32  
D669,370 S \* 10/2012 Rasumowsky ..... D10/33  
D675,114 S \* 1/2013 Lacotta ..... D10/60  
D688,965 S \* 9/2013 Hutchins  
D692,328 S \* 10/2013 Yong ..... D10/69  
D692,856 S \* 11/2013 Holzer ..... D14/209.1  
D693,703 S \* 11/2013 Slaker ..... D10/60  
D704,576 S \* 5/2014 Slaker ..... D10/60  
D709,397 S \* 7/2014 Ennabli  
D717,759 S \* 11/2014 Choi ..... D10/38  
D722,512 S \* 2/2015 Silberberg ..... D10/69

(73) Assignee: **ABBVIE BIOTECHNOLOGY LTD.** (BM)

(Continued)

(\*\*) Term: **14 Years**

**FOREIGN PATENT DOCUMENTS**

(21) Appl. No.: **29/525,618**

ES 001735432-0002 7/2010  
FR 000157714-000 6/2004  
GB 001623000-0001 10/2009

(22) Filed: **Apr. 30, 2015**

*Primary Examiner* — Manpreet Matharu

(51) **LOC (10) Cl.** ..... **10-03**

*Assistant Examiner* — Suzanne Tisdell

(52) **U.S. Cl.**

(74) *Attorney, Agent, or Firm* — McAndrews, Held & Malloy, Ltd.

USPC ..... **D10/40**

(58) **Field of Classification Search**

(57) **CLAIM**

The ornamental design for a timer, as shown and described.

USPC ..... D10/21, 22, 25, 32, 38, 39, 46.1, 47, 49, D10/60, 61, 69, 74, 77, 83, 89, 90, 94, D10/104.1, 104.2, 106.5, 106.6, 118.2, 126; D14/159, 172, 204, 216, 221, 380, 398, D14/408, 420, 480.1, 483, 484.1, 497, 507, D14/509, 511; D18/11, 12, 12.3, 15, 18, 29, D18/34.3, 34.8, 34.9, 40, 41, 43, 56, 57  
CPC ..... G06F 1/16; G06F 17/30; G04G 21/00; G04C 10/00; A61B 5/024; H01Q 1/27  
See application file for complete search history.

**DESCRIPTION**

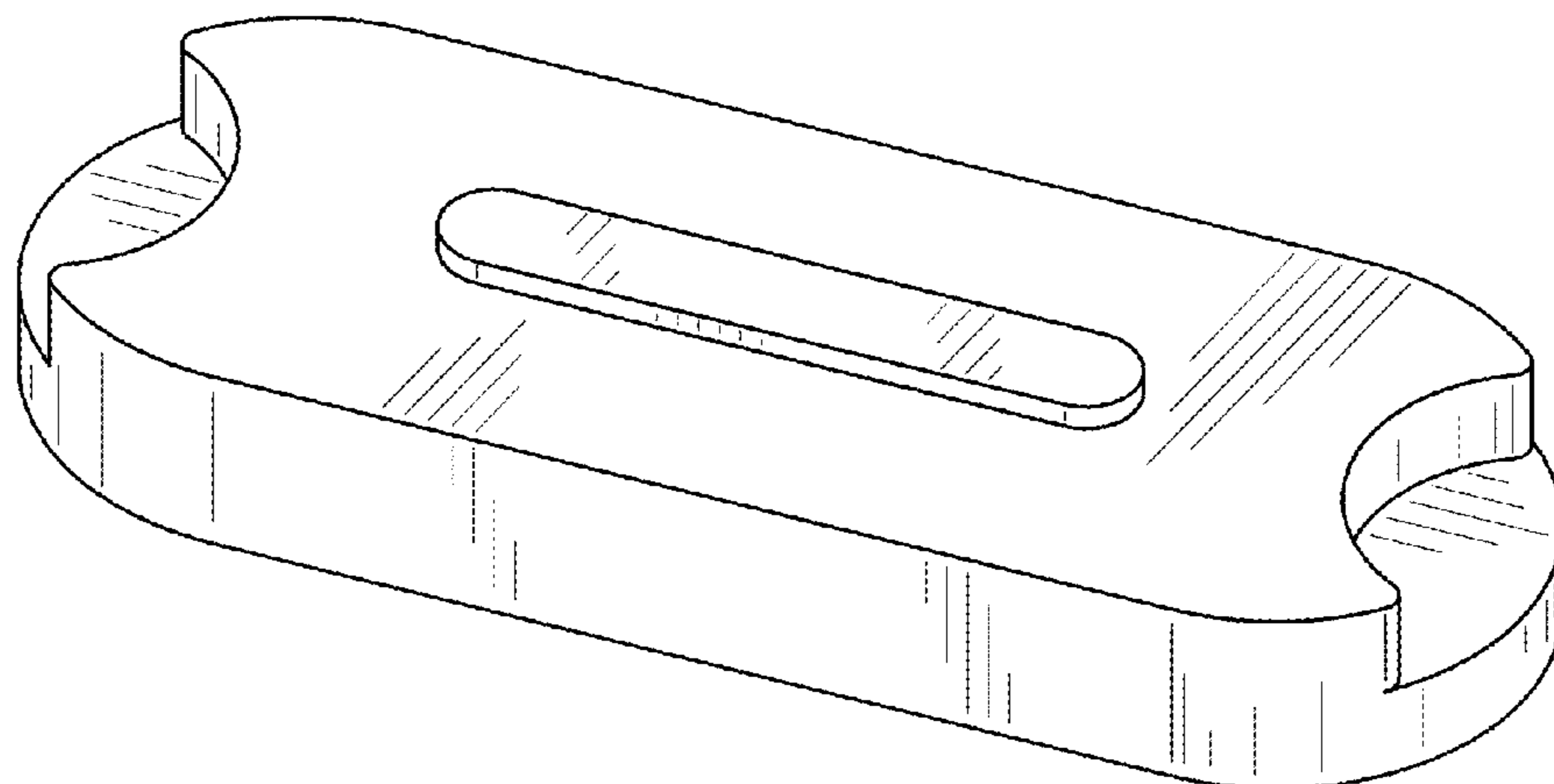
FIG. 1 is a top, front, right side perspective view of a timer showing my new design;  
FIG. 2 is a front elevational view thereof;  
FIG. 3 is a rear elevational view thereof;  
FIG. 4 is a right side elevational view thereof;  
FIG. 5 is a left side elevational view thereof;  
FIG. 6 is a top plan view thereof;  
FIG. 7 is a bottom plan view thereof, including unclaimed features; and,  
FIG. 8 is a bottom, rear, right side perspective view thereof, including unclaimed features.  
The broken lines of FIGS. 7 and 8 form no part of the presently claimed design.

(56) **References Cited**

**U.S. PATENT DOCUMENTS**

D611,450 S \* 3/2010 Miyazaki ..... D14/209.1  
D627,672 S 11/2010 Dshin  
7,881,456 B1 \* 2/2011 Russell ..... G06F 1/1632  
379/374.01  
D642,159 S \* 7/2011 Joseph ..... D14/215  
D648,227 S \* 11/2011 Grotell ..... D10/31

**1 Claim, 4 Drawing Sheets**



(56)

**References Cited**

U.S. PATENT DOCUMENTS

D724,047 S *	3/2015	Kim	.....	D10/38	D753,093 S *	4/2016	Garfio	.....	D14/214
D730,225 S *	5/2015	Behar	.....	D10/103	D758,212 S *	6/2016	Candamil	.....	D10/32
D731,898 S *	6/2015	Squires	.....	D10/30	D758,989 S *	6/2016	Vogt, Jr.	.....	D14/204
D733,682 S *	7/2015	Kelly	.....	D14/215	2015/0096828 A1 *	4/2015	Fathollahi	.....	H04R 1/023 181/156
D745,831 S *	12/2015	Hopp	.....	D10/85	2015/0214760 A1 *	7/2015	Chraime	.....	H02J 7/0045 320/103
D752,579 S *	3/2016	Lee	.....	D14/344	2016/0037253 A1 *	2/2016	Workman	.....	H04R 1/2834 381/338

\* cited by examiner

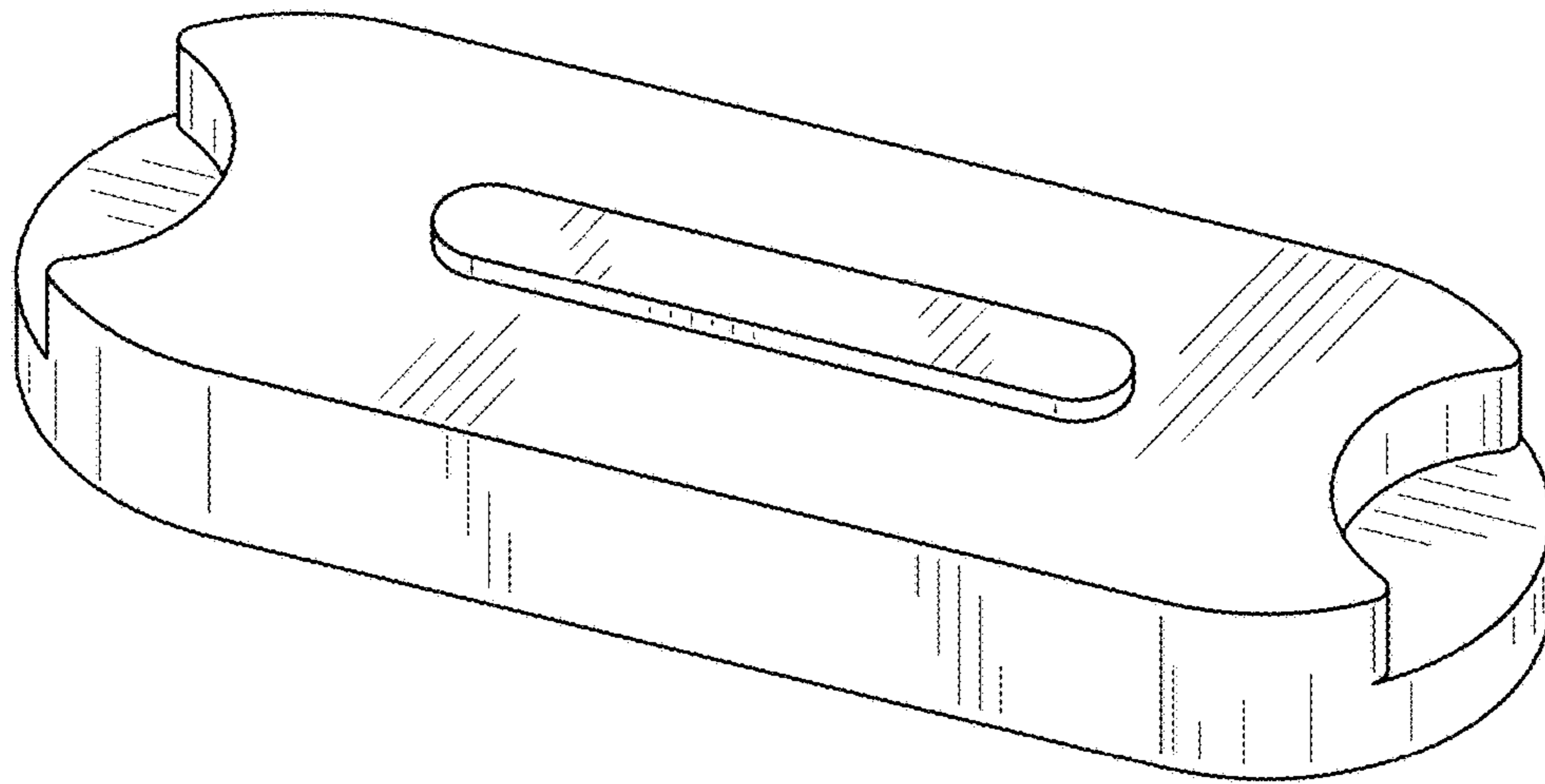


FIG. 1

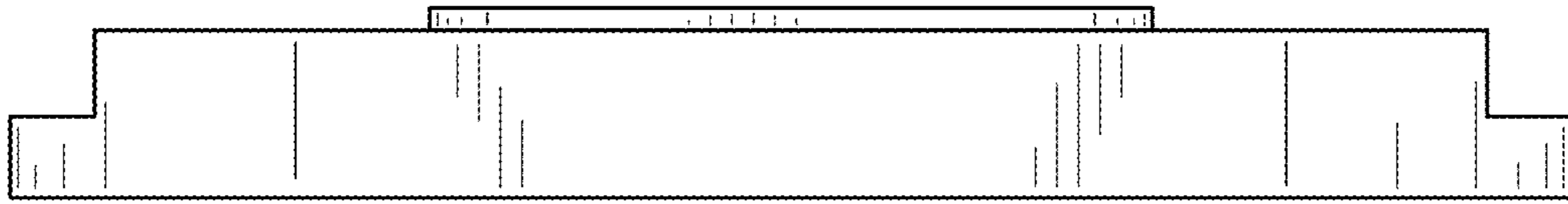


FIG. 2

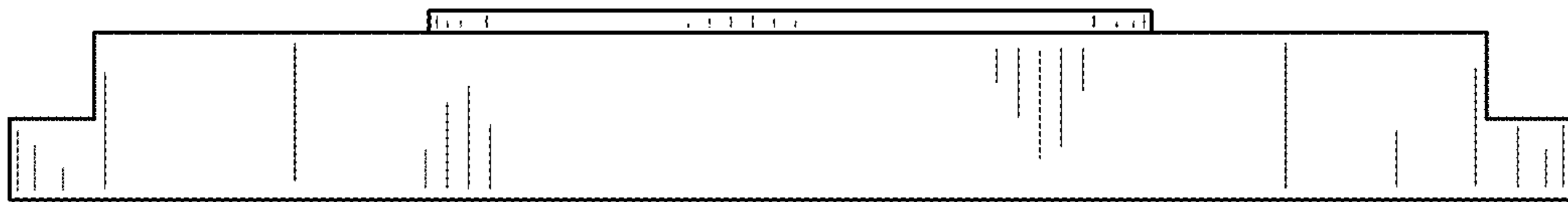


FIG. 3

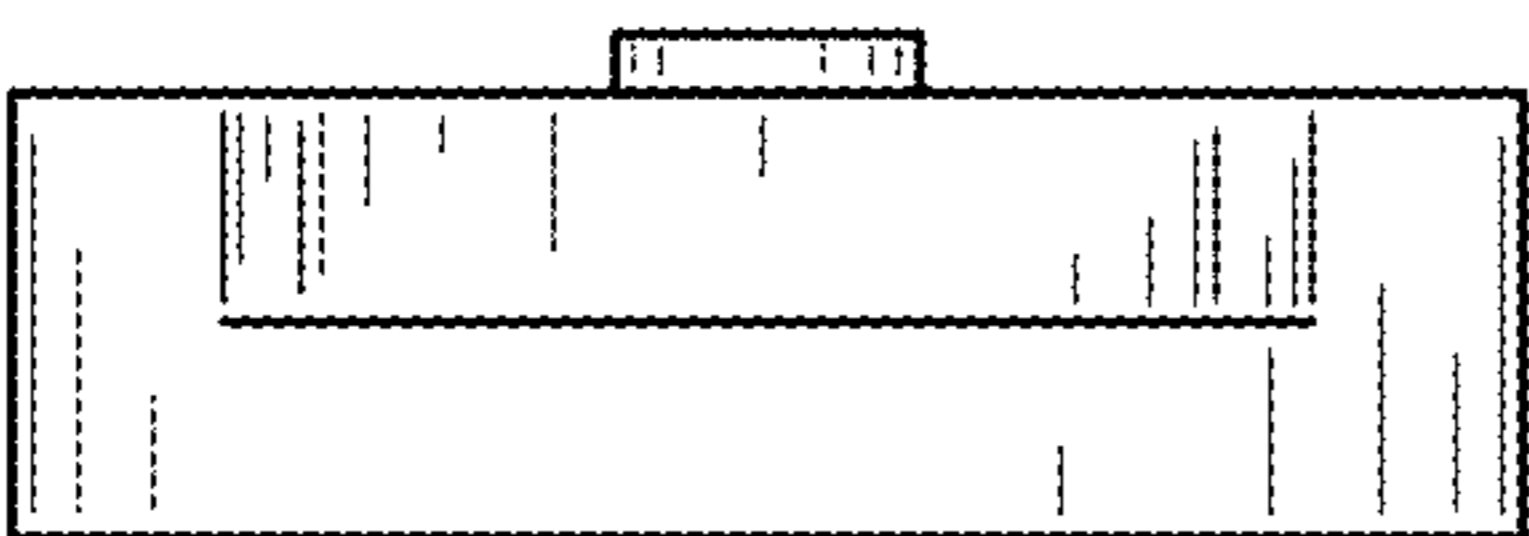


FIG. 4

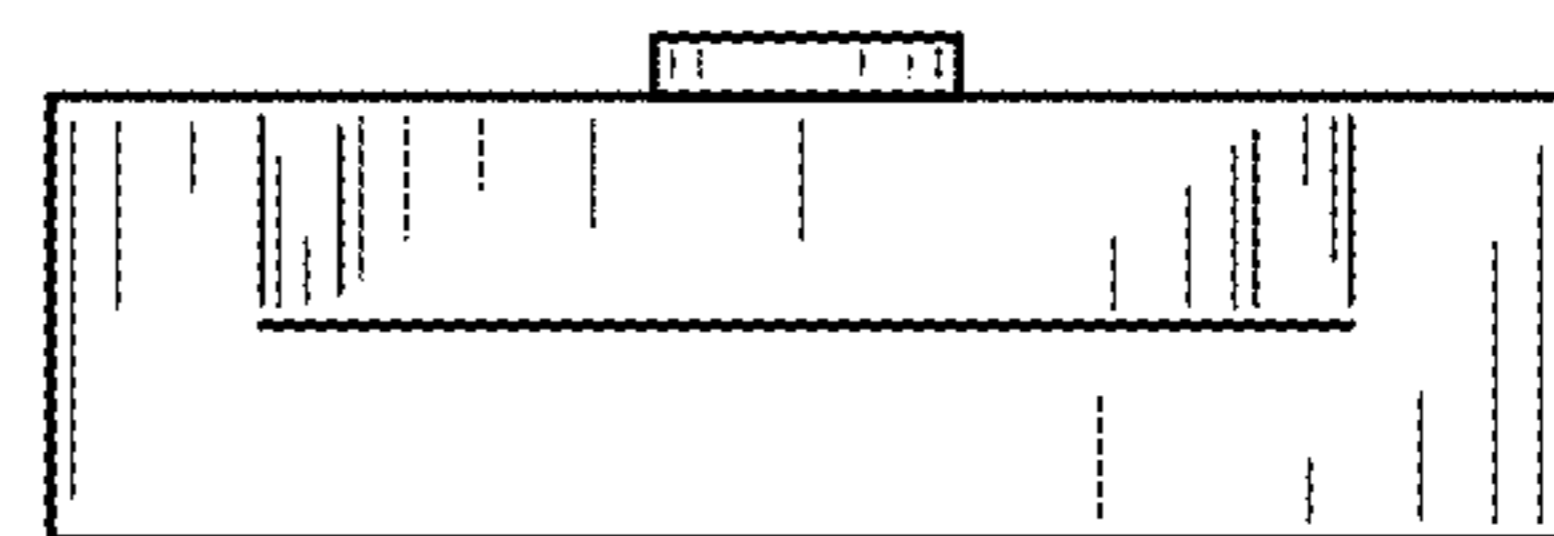


FIG. 5

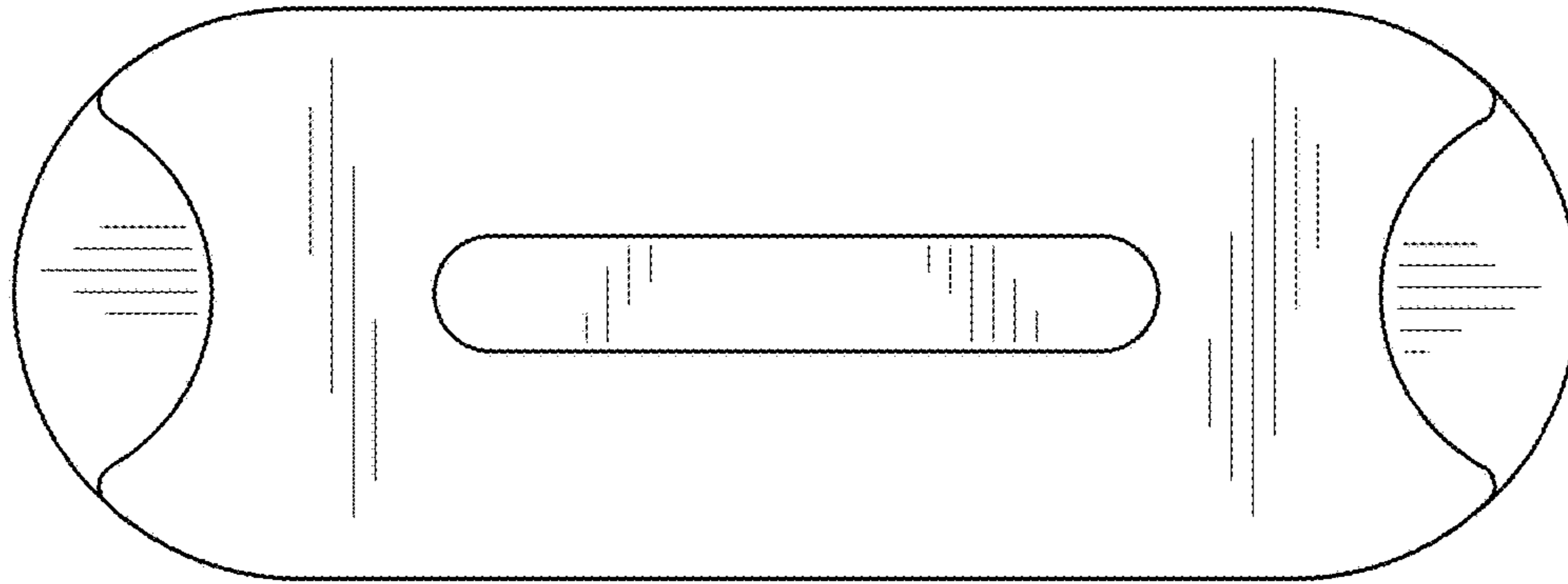


FIG. 6

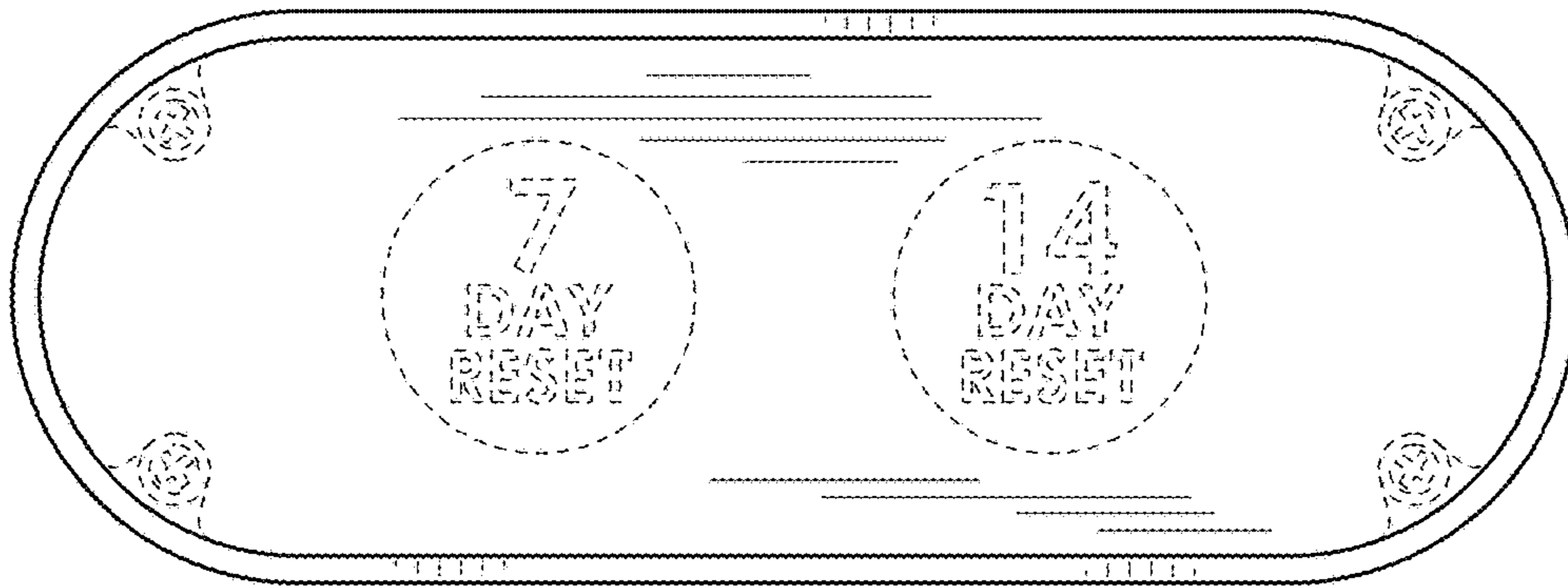


FIG. 7

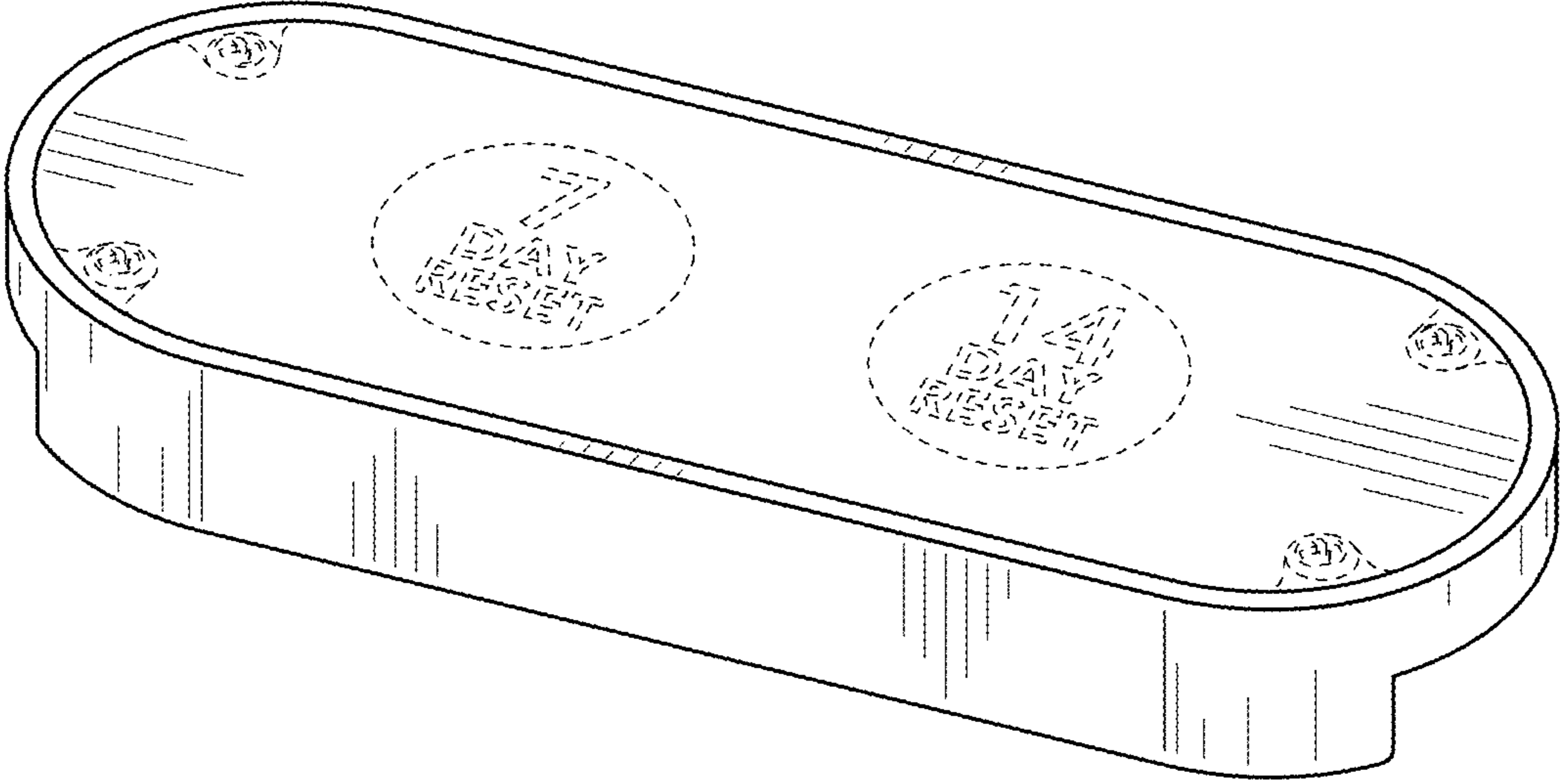


FIG. 8