



US00D772732S

(12) **United States Design Patent** (10) **Patent No.:** **US D772,732 S**
Lin (45) **Date of Patent:** **** Nov. 29, 2016**

(54) **POWER SOCKET TIMER**
(71) Applicant: **Chia-Hua Lin**, New Taipei (TW)
(72) Inventor: **Chia-Hua Lin**, New Taipei (TW)
(**) Term: **14 Years**
(21) Appl. No.: **29/524,106**
(22) Filed: **Apr. 16, 2015**

Related U.S. Application Data

(63) Continuation-in-part of application No. 29/453,071, filed on Apr. 24, 2013, now abandoned.

(51) **LOC (10) Cl.** **10-03**

(52) **U.S. Cl.**
USPC **D10/40**

(58) **Field of Classification Search**
USPC D10/40, 41; D13/162, 162.1, 173, 174
CPC G04C 23/00; G04C 23/04; G04C 23/08;
G04C 23/10; G04C 23/14; G04C 23/24;
H01H 43/00; H01H 43/02; H01H 43/028;
H02H 3/00; H02H 3/085; H03K 17/00;
H03K 17/296; H03K 17/962; G04G 17/00;
G04G 17/08

See application file for complete search history.

(56) **References Cited**

U.S. PATENT DOCUMENTS

3,728,500 A * 4/1973 Ingram G04C 23/24
200/38 FB
D246,159 S * 10/1977 Podall D10/2
4,297,546 A * 10/1981 Koch H01H 43/028
200/38 D
4,311,886 A * 1/1982 Rulseh H01H 43/028
200/38 B
D380,396 S * 7/1997 Svarnias D10/40
D449,233 S * 10/2001 Stekelenburg D10/40
6,356,425 B1 * 3/2002 Jung H02H 3/085
307/141
6,826,127 B2 * 11/2004 Stekelenburg G04C 23/08
368/107

D565,434 S * 4/2008 Stekelenburg D10/40
D569,743 S * 5/2008 Lidong D10/40
D579,794 S * 11/2008 Stekelenburg D10/40
D581,293 S * 11/2008 Stekelenburg D10/40
D582,794 S * 12/2008 Stekelenburg D10/40
D582,795 S * 12/2008 Stekelenburg D10/40
D619,910 S * 7/2010 Stekelenburg D10/40
D619,911 S * 7/2010 Stekelenburg D10/40
D620,816 S * 8/2010 Stekelenburg D10/40
D640,147 S * 6/2011 Stekelenburg D10/40
D646,590 S * 10/2011 Stekelenburg D10/40
8,120,995 B2 * 2/2012 Liu G04C 23/18
307/141.4
D667,736 S * 9/2012 Stack D10/40
D679,202 S * 4/2013 Hu D10/40
D729,639 S * 5/2015 Lin D10/40
2011/0211425 A1 * 9/2011 Liu G04C 23/18
368/10

* cited by examiner

Primary Examiner — Sandra Snapp

(74) *Attorney, Agent, or Firm* — Muncy, Geissler, Olds & Lowe, P.C.

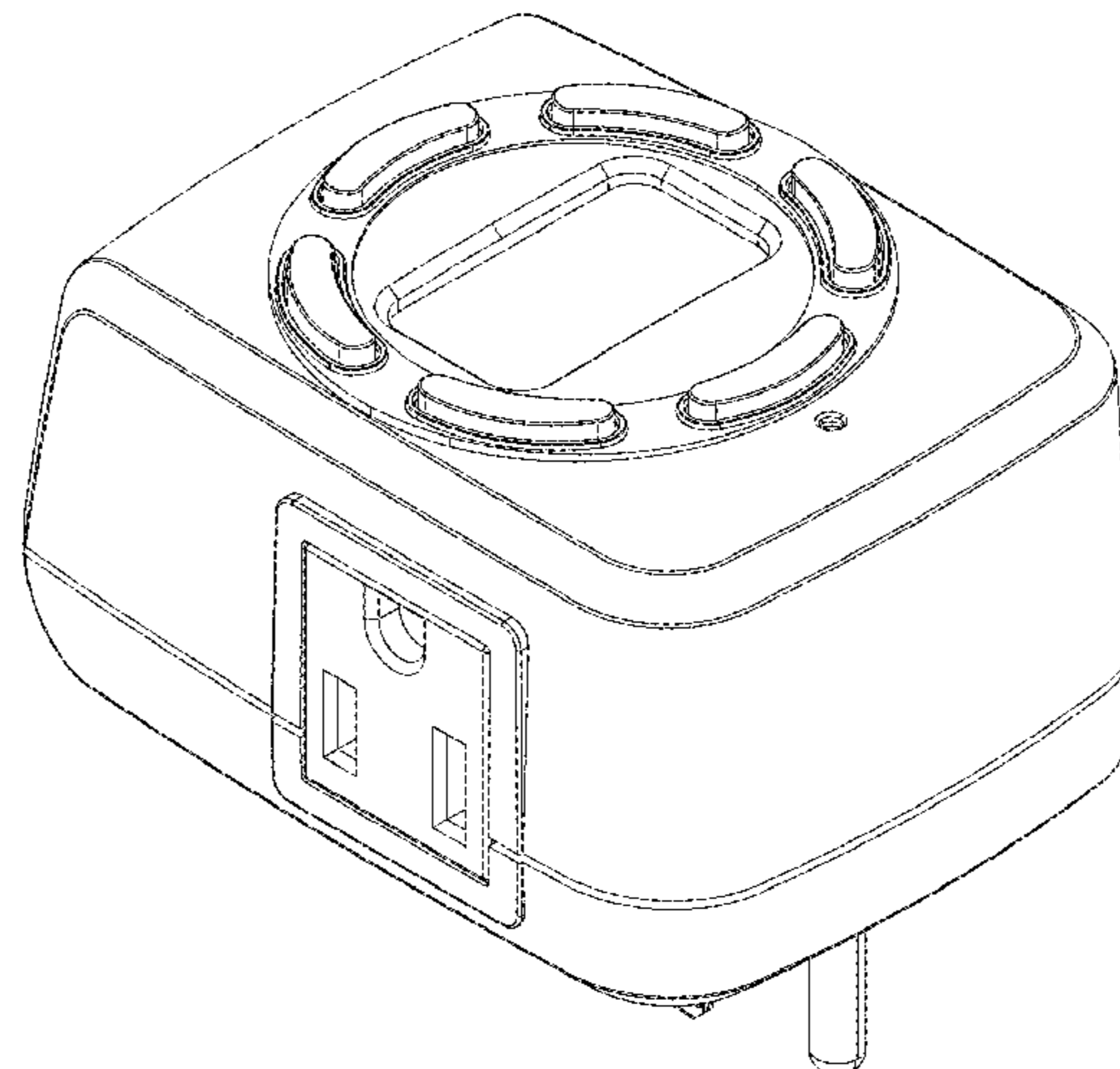
(57) **CLAIM**

The ornamental design for a power socket timer, is as shown and described.

DESCRIPTION

FIG. 1 is a front right perspective view of a power socket timer showing my new design;
FIG. 2 is a front elevation view thereof;
FIG. 3 is a rear elevation view thereof;
FIG. 4 is a left side elevation view thereof;
FIG. 5 is a right side elevation view thereof;
FIG. 6 is a top plan view thereof; and,
FIG. 7 is a bottom plan view thereof.
The structural features depicted by broken lines in the figures have been shown for the purpose of illustrating portions of the power socket timer that form no part of the claimed design.

1 Claim, 7 Drawing Sheets



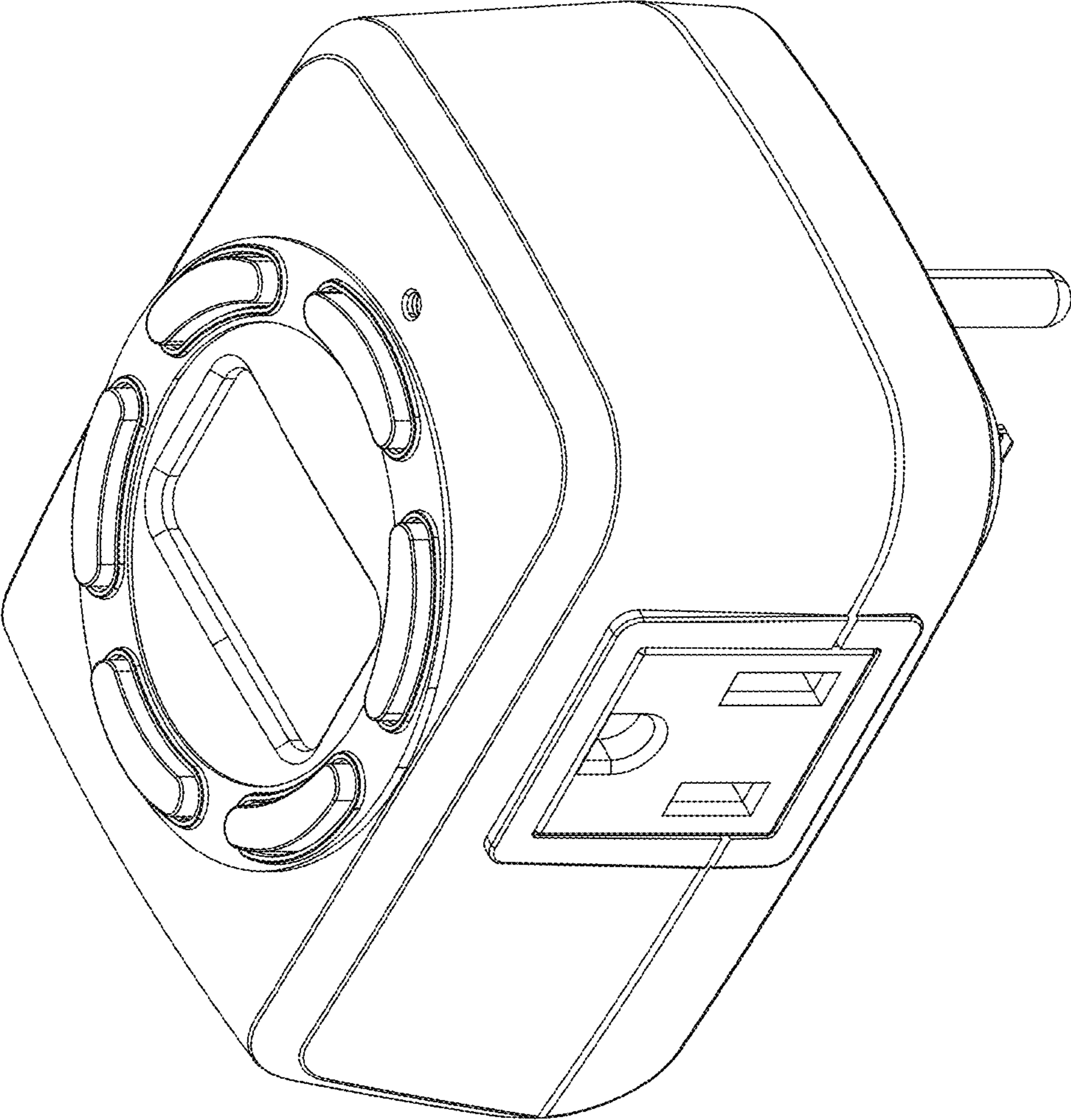


FIG. 1

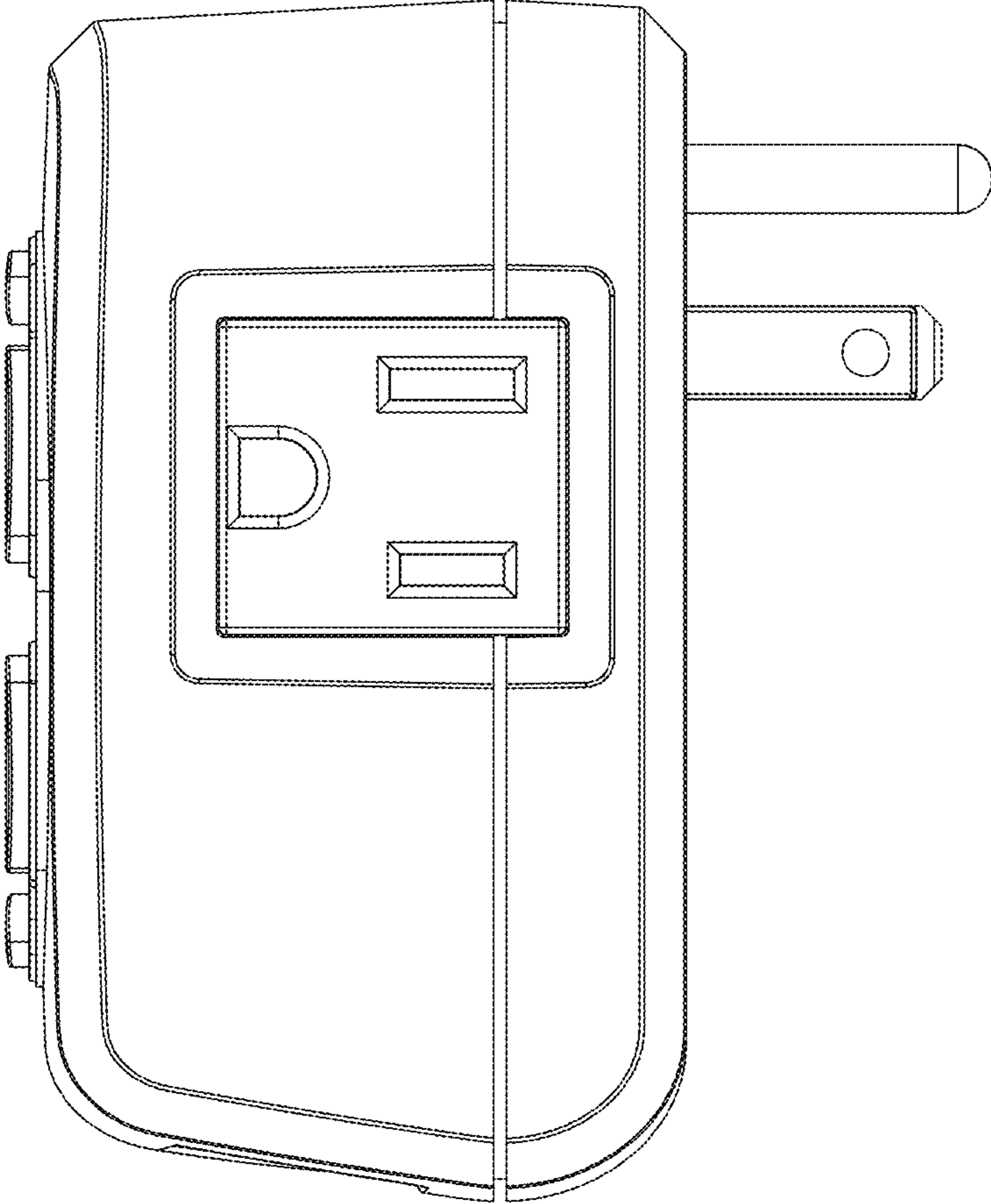


FIG. 2

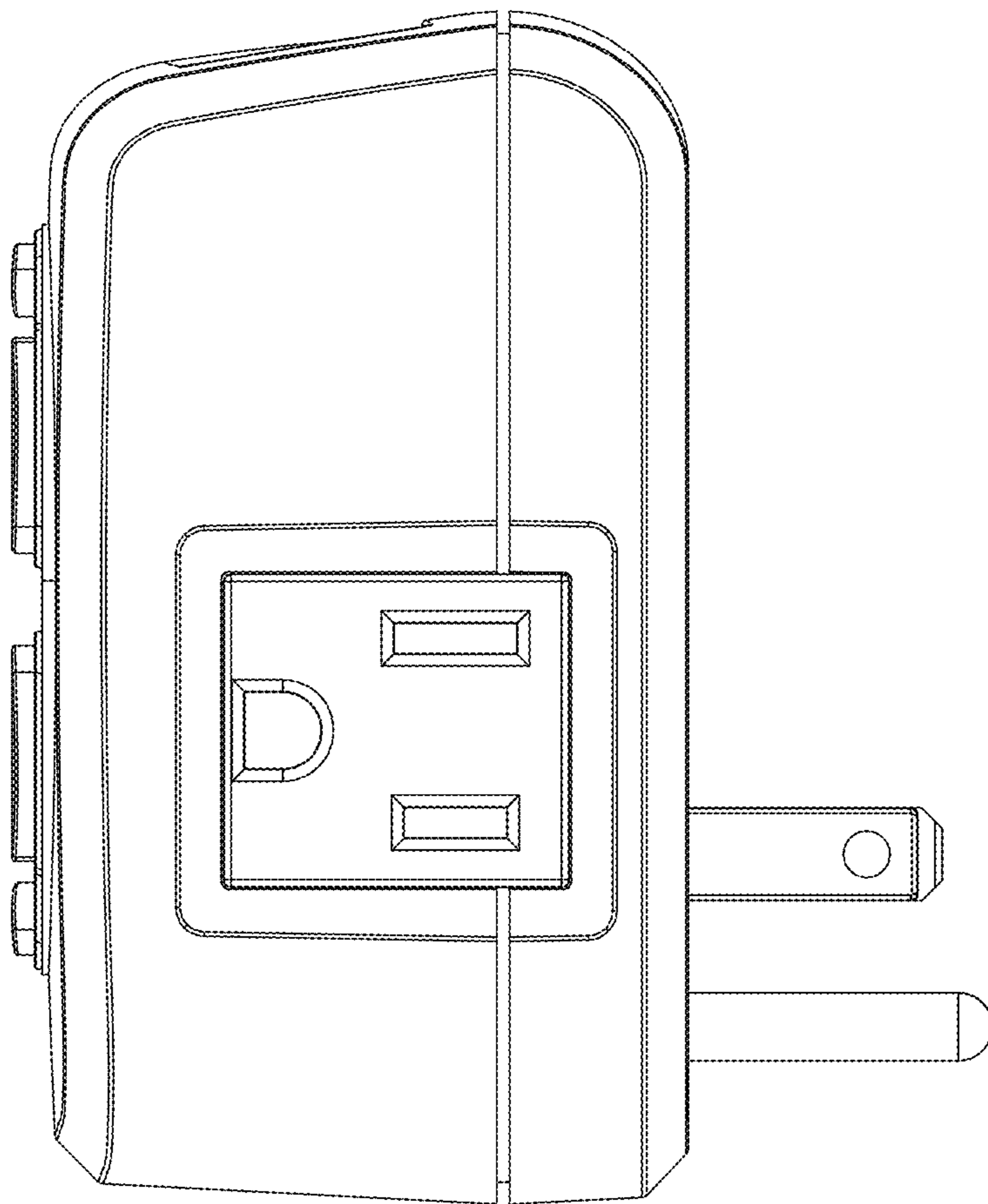


FIG. 3

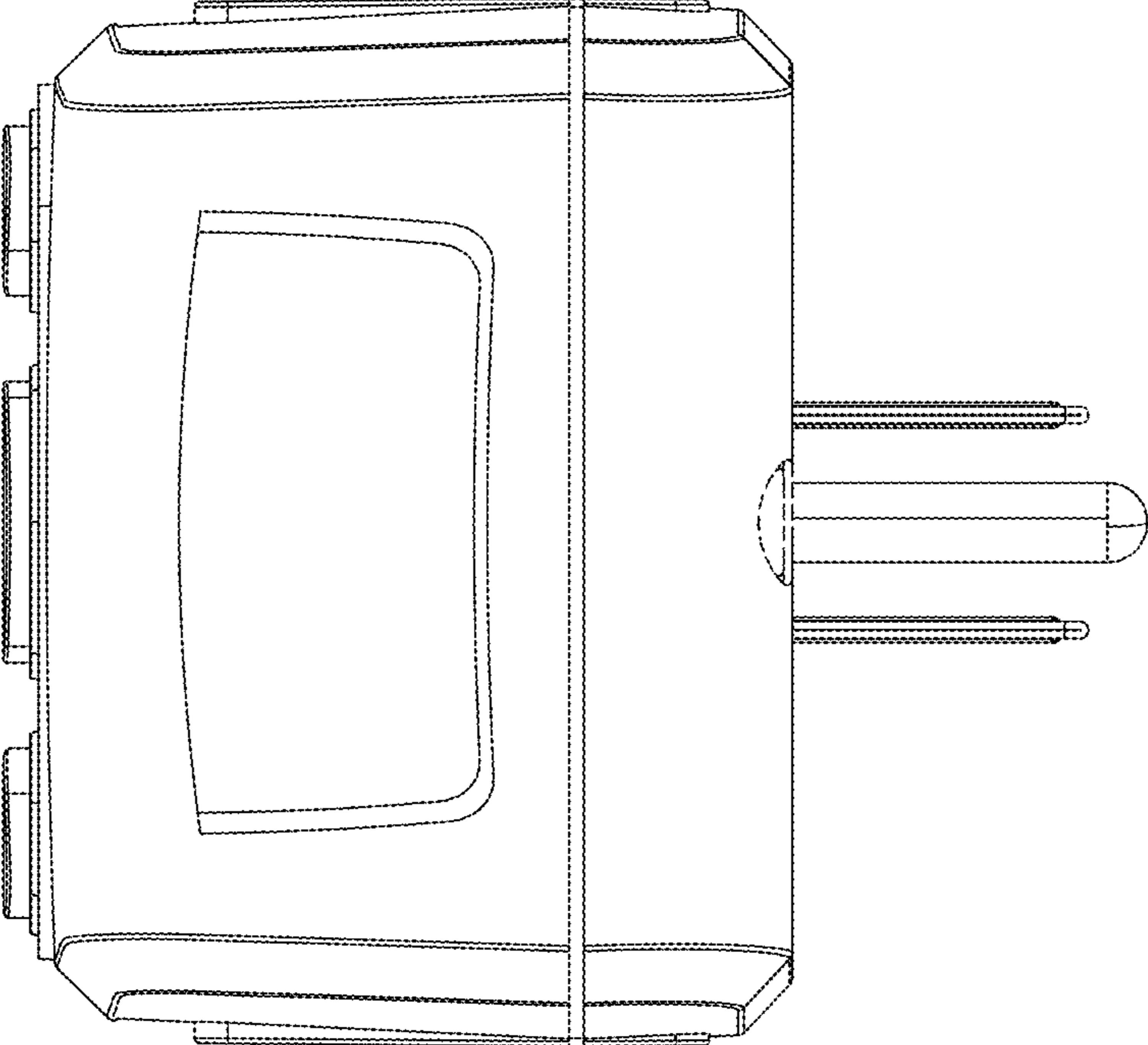


FIG. 4

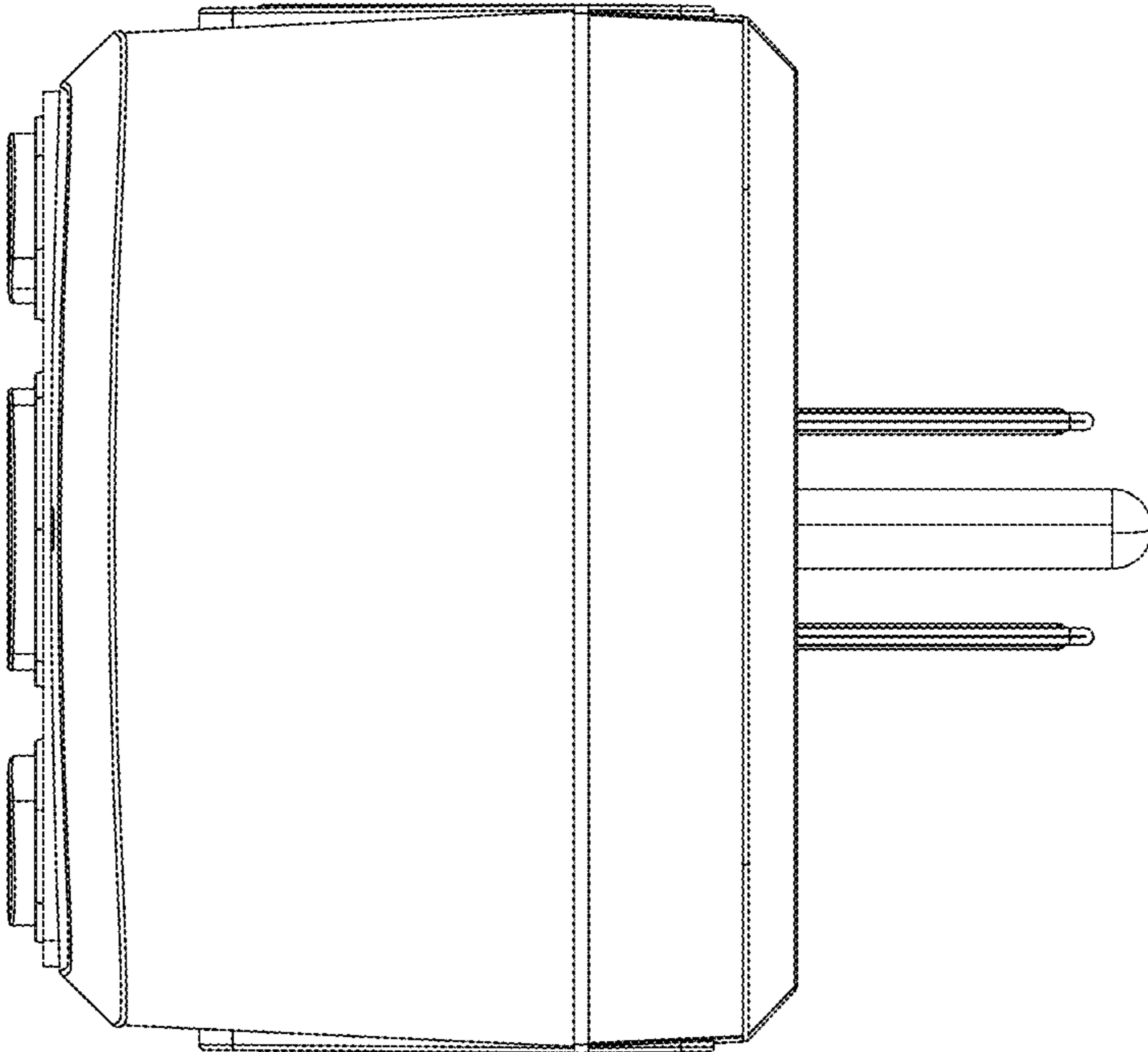


FIG. 5

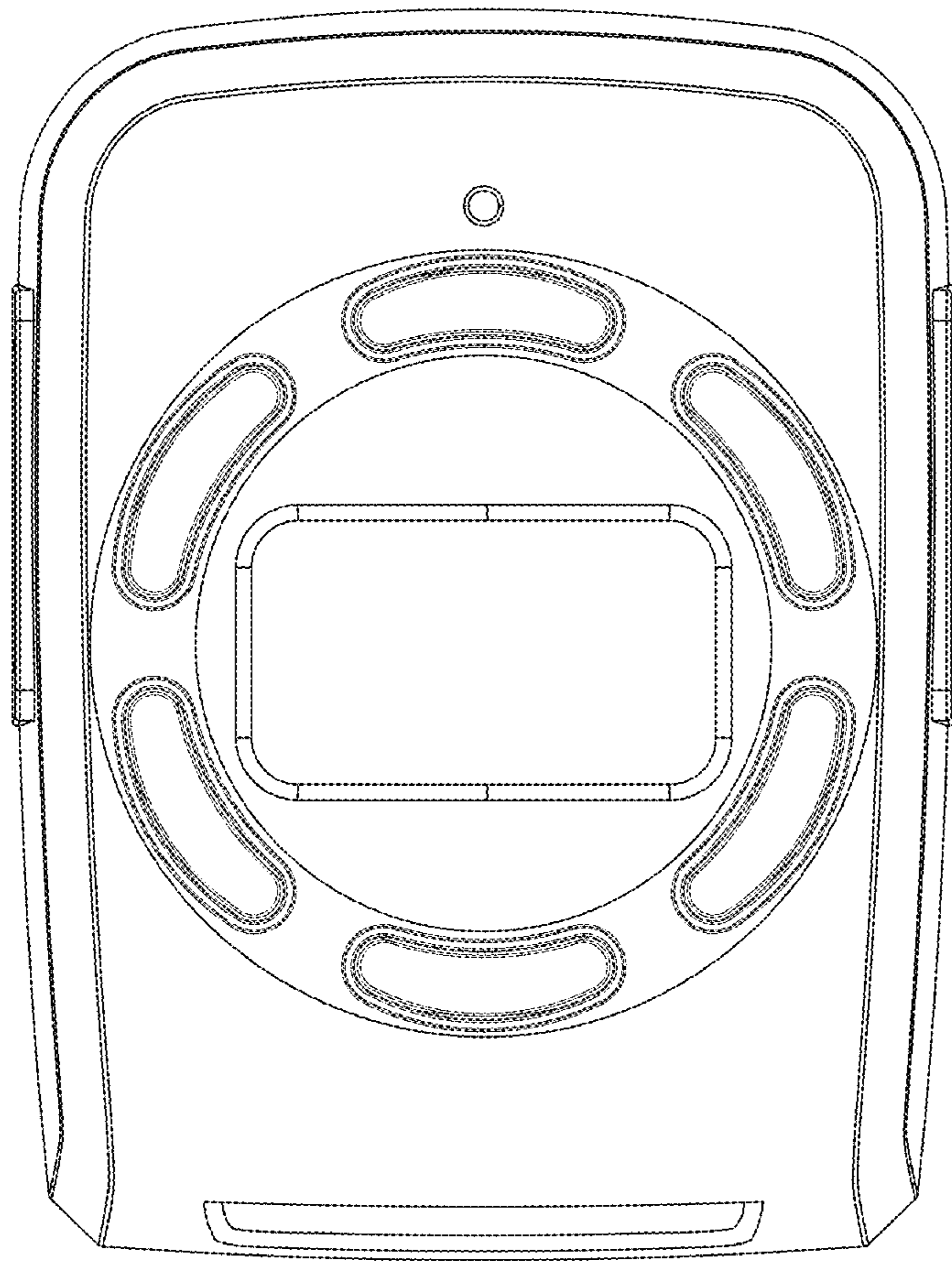


FIG. 6

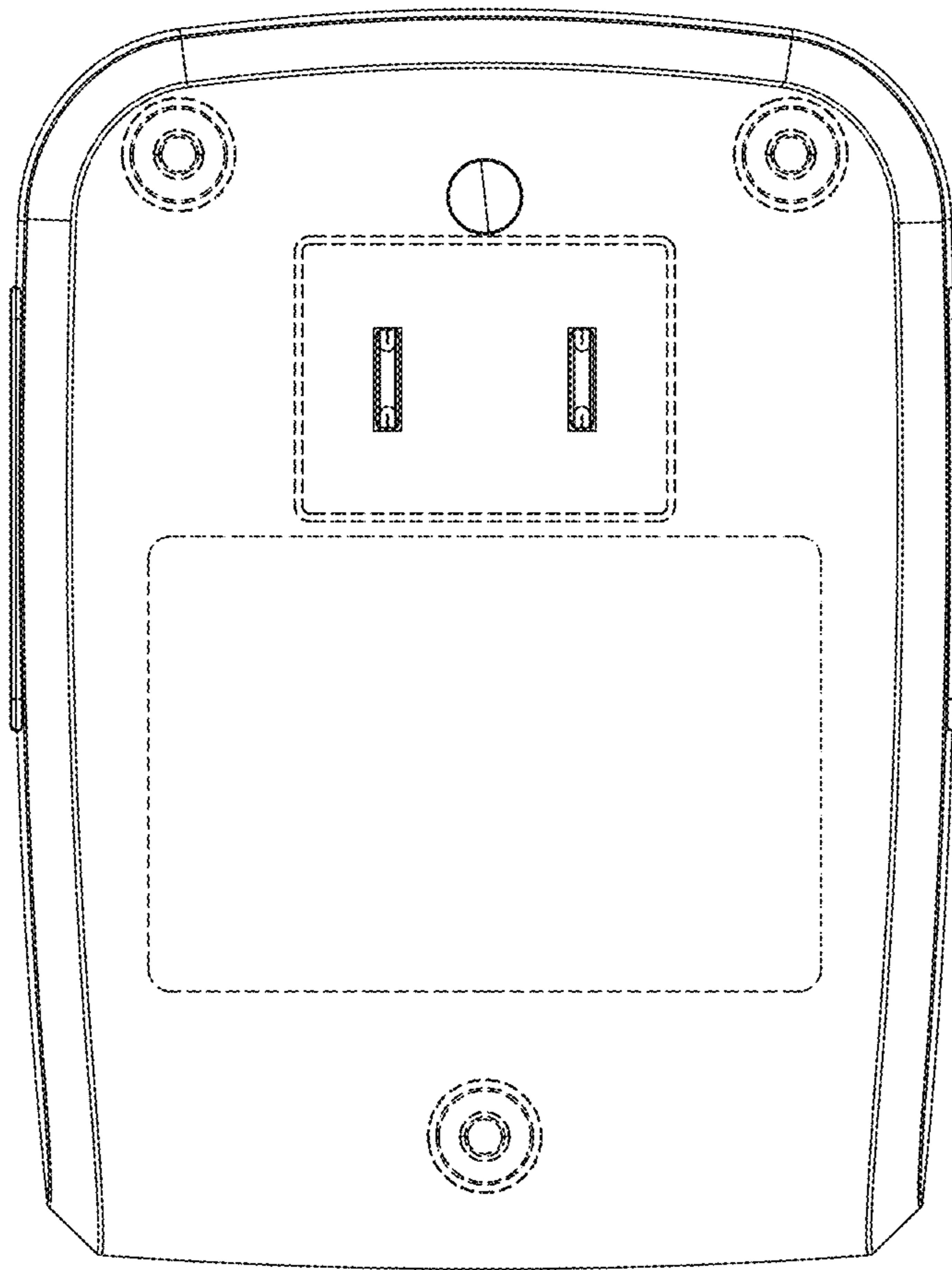


FIG. 7