



US00D772731S

(12) **United States Design Patent** (10) **Patent No.:** **US D772,731 S**  
**Michele** (45) **Date of Patent:** **\*\* Nov. 29, 2016**

(54) **WRISTWATCH**

(71) Applicant: **LUXURY GOODS INTERNATIONAL (L.G.I.) SA,**  
Cortailod (CH)

(72) Inventor: **Alessandro Michele, Rome (IT)**

(73) Assignee: **LUXURY GOODS INTERNATIONAL (L.G.I.) SA,**  
Cortailod (CH)

(\*\*) Term: **15 Years**

(21) Appl. No.: **29/536,797**

(22) Filed: **Aug. 19, 2015**

(30) **Foreign Application Priority Data**

Feb. 19, 2015 (CH) ..... 141278

(51) **LOC (10) Cl.** ..... **10-02**

(52) **U.S. Cl.**  
USPC ..... **D10/39**

(58) **Field of Classification Search**  
USPC ..... D10/1-39, 122-132; 368/10, 15-18,  
368/21, 28, 37, 80, 223, 228, 232, 276, 277,  
368/281, 282, 285, 294, 295, 308, 319  
CPC .... G04B 17/00; G04B 17/02; G04B 17/005;  
G04B 17/285; G04B 37/00; G04B 37/0008;  
G04B 37/0058; G04B 45/00; G04B 45/038;  
G04B 45/0069; G04B 45/0076; G04B 45/02;  
G04B 29/00  
See application file for complete search history.

(56) **References Cited**

**U.S. PATENT DOCUMENTS**

D224,913 S \* 10/1972 Maroni ..... D10/32  
D417,158 S \* 11/1999 Krauss ..... D10/30

D433,949 S \* 11/2000 Helleu ..... D10/30  
D510,037 S \* 9/2005 Modolo ..... D10/32  
D530,628 S \* 10/2006 Raffy ..... D10/32  
D555,520 S \* 11/2007 Strasser ..... D10/39  
D562,704 S \* 2/2008 Lalo ..... D10/32  
D564,910 S \* 3/2008 Rabassa ..... D10/39  
D573,041 S \* 7/2008 Lulic ..... D10/39  
D593,425 S \* 6/2009 Weiss ..... D10/33  
D623,977 S \* 9/2010 Cole ..... D10/126  
D638,734 S \* 5/2011 Cole ..... D10/126  
D725,493 S \* 3/2015 Rimaneli ..... D10/30  
2014/0362673 A1\* 12/2014 Earl ..... G04B 3/043  
368/194

\* cited by examiner

*Primary Examiner* — Susan Bennett Hattan  
*Assistant Examiner* — Jennifer Wright  
(74) *Attorney, Agent, or Firm* — Sughrue Mion, PLLC

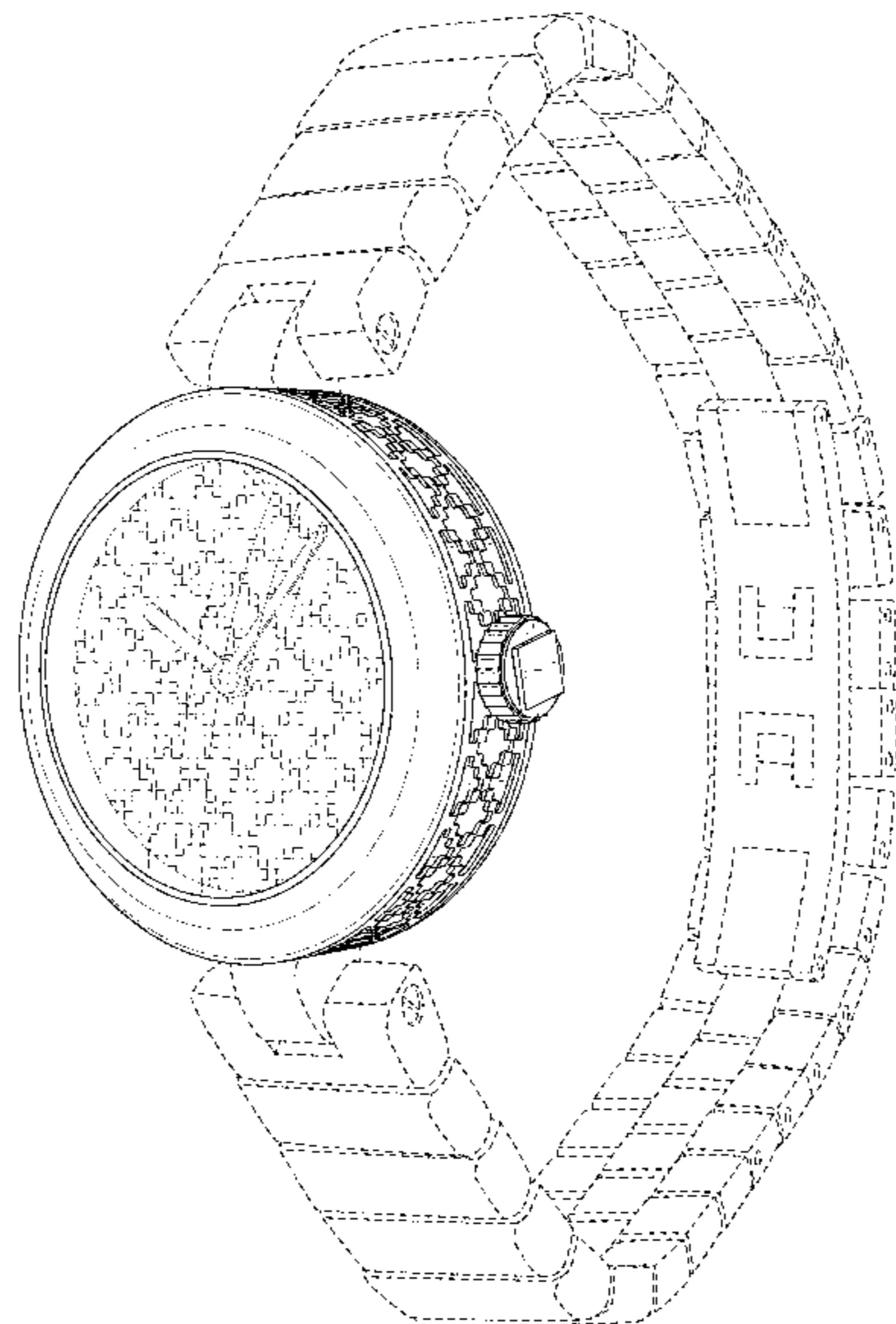
(57) **CLAIM**

The ornamental design for a wristwatch, as shown and described.

**DESCRIPTION**

FIG. 1 is a top, front and side perspective view of a wristwatch showing my new design;  
FIG. 2 is a front elevational view thereof;  
FIG. 3 is a rear elevational view thereof;  
FIG. 4 is a left side elevational view thereof;  
FIG. 5 is a right side elevational view thereof;  
FIG. 6 is a top plan view thereof; and,  
FIG. 7 is a bottom plan view.  
The broken lines in the drawing figures are used to show portions of the wristwatch that are not being claimed, and thus form no part of the claimed invention.

**1 Claim, 7 Drawing Sheets**



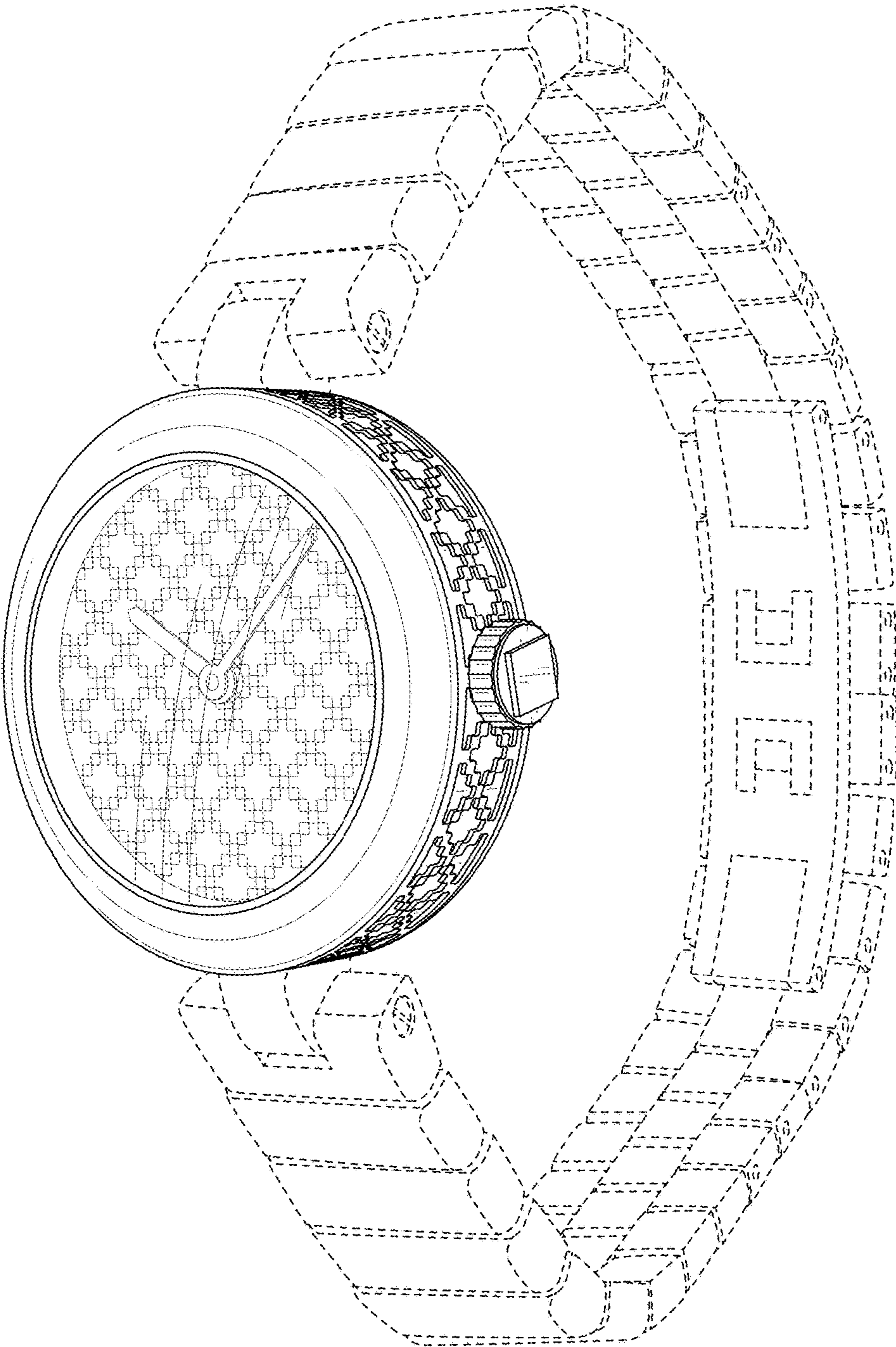


FIG. 1

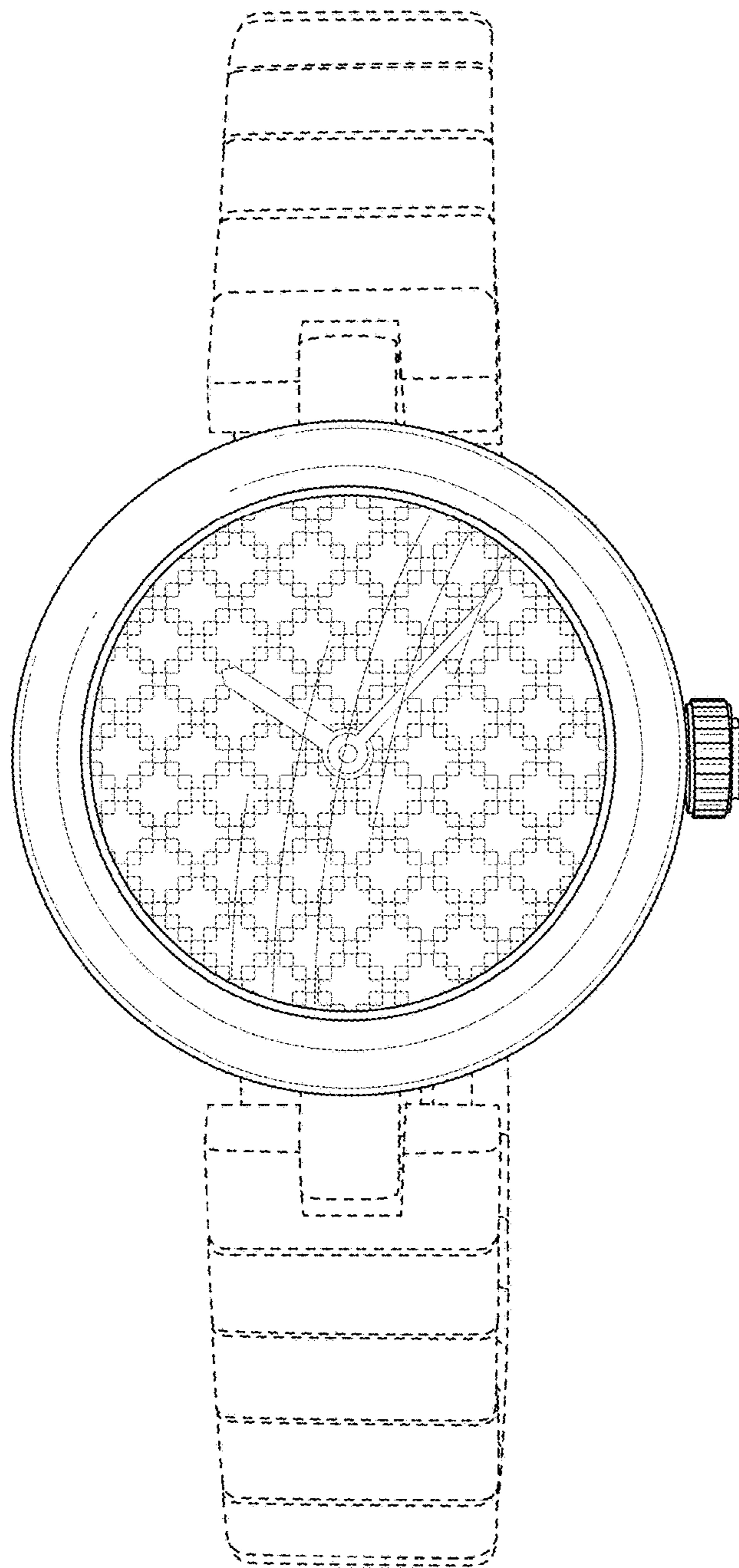


FIG. 2

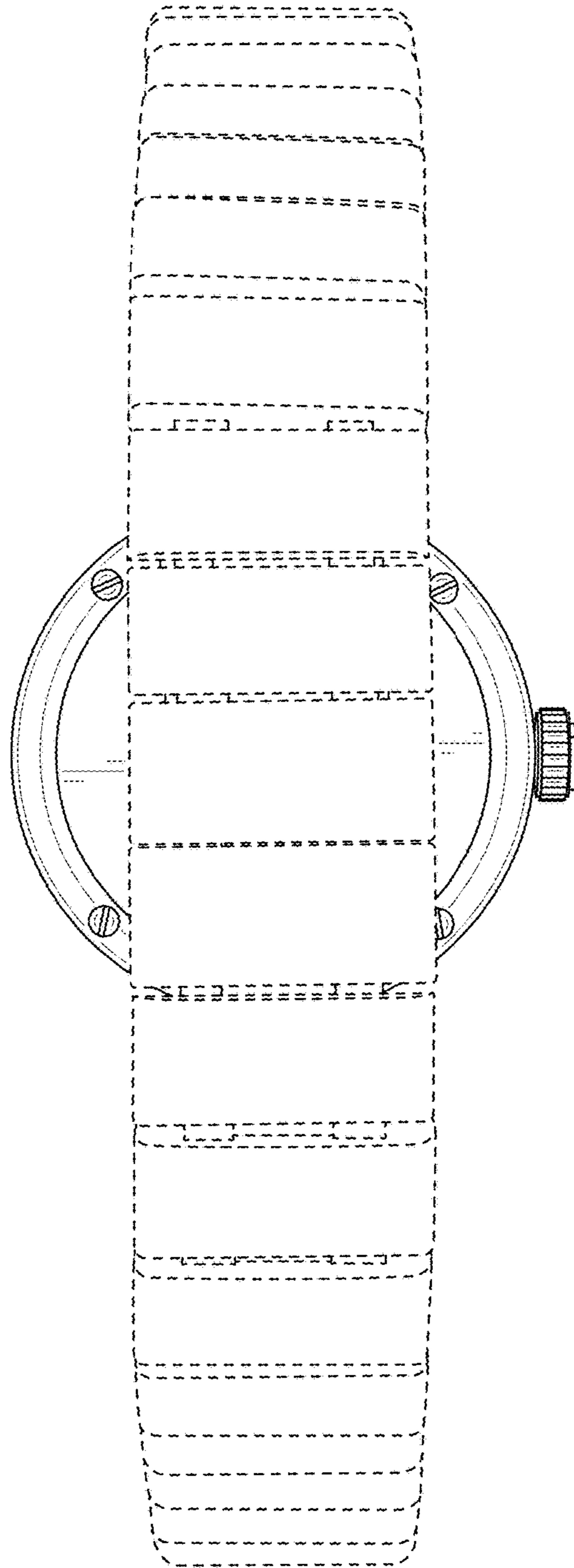


FIG. 3

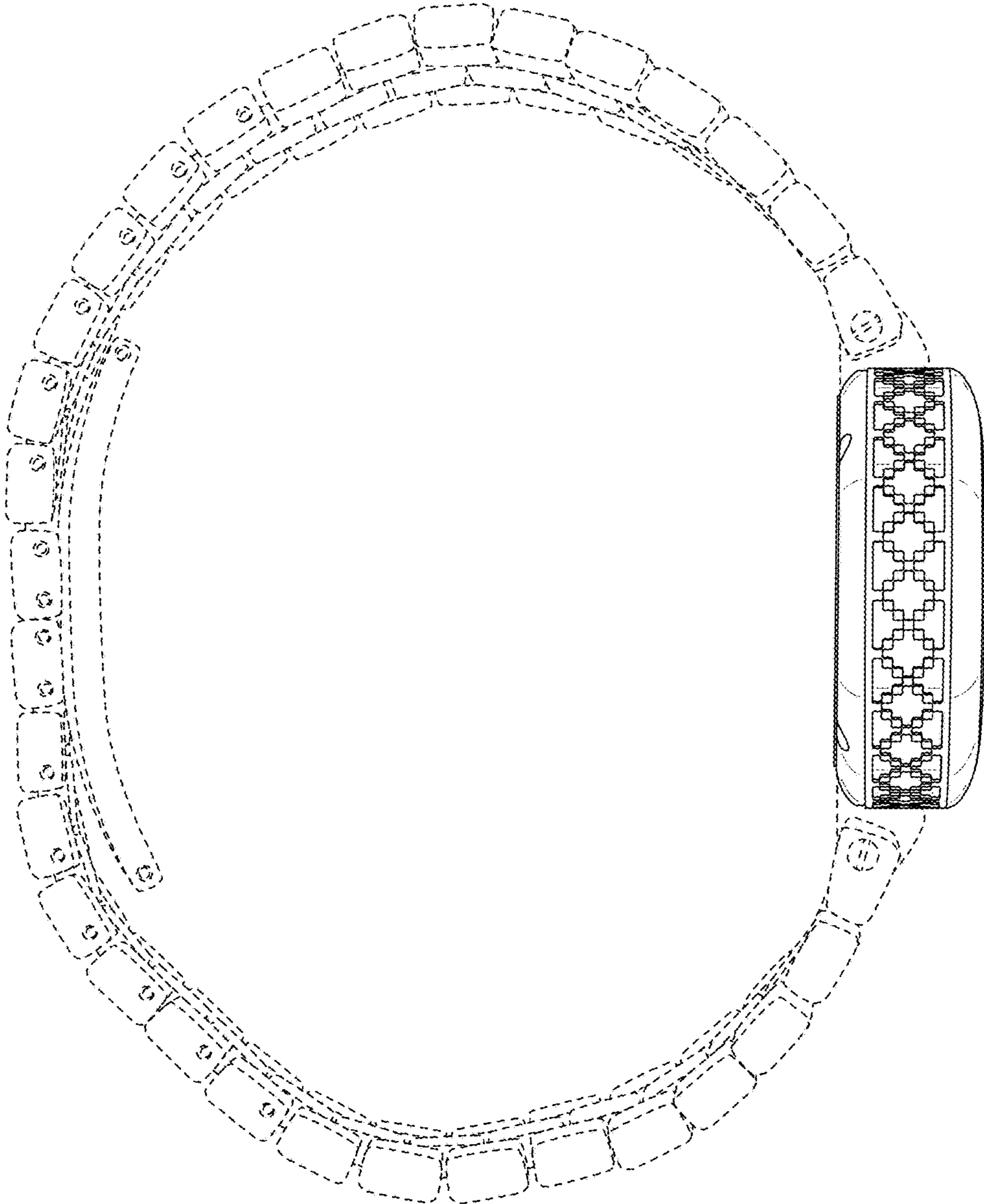


FIG. 4

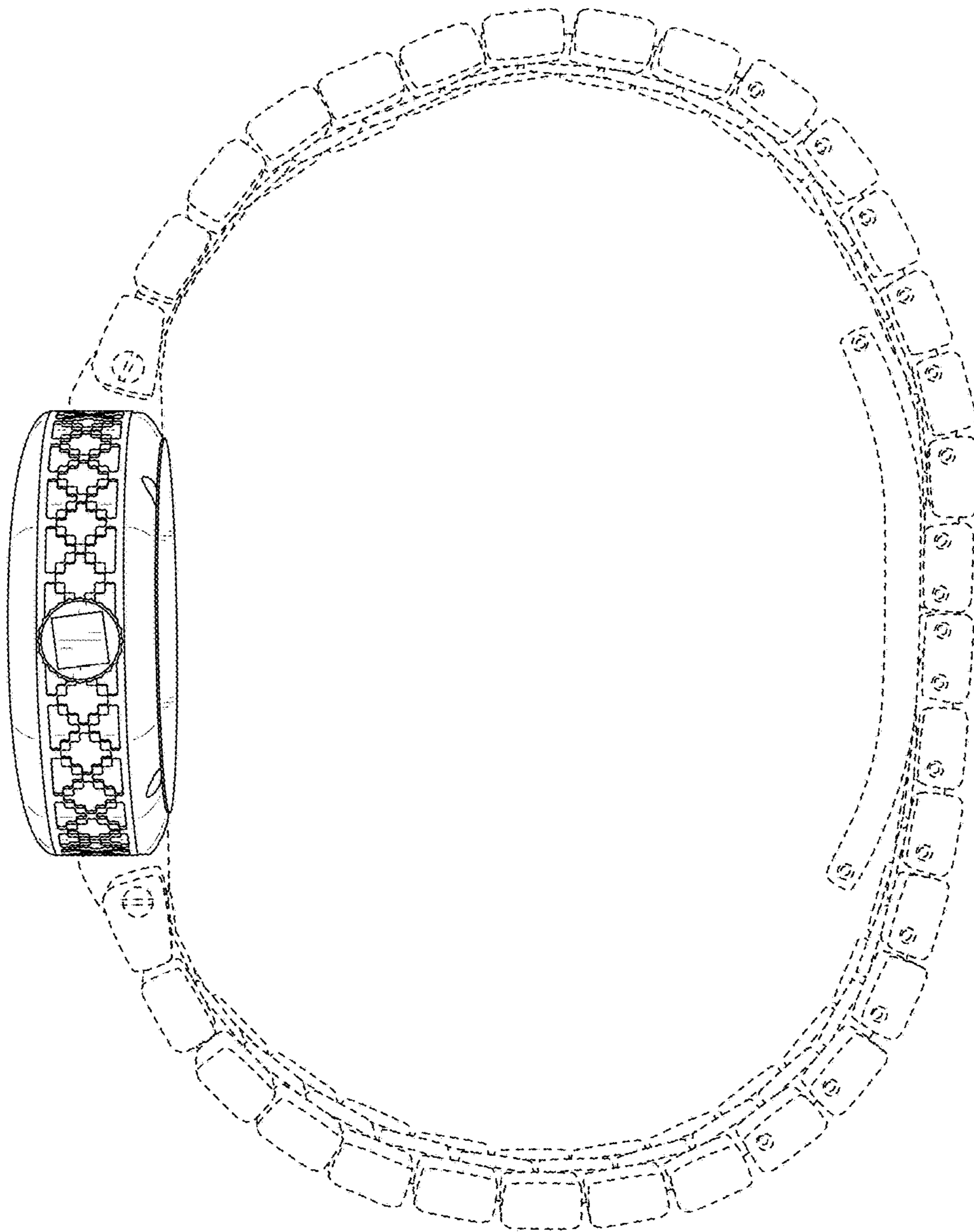


FIG. 5

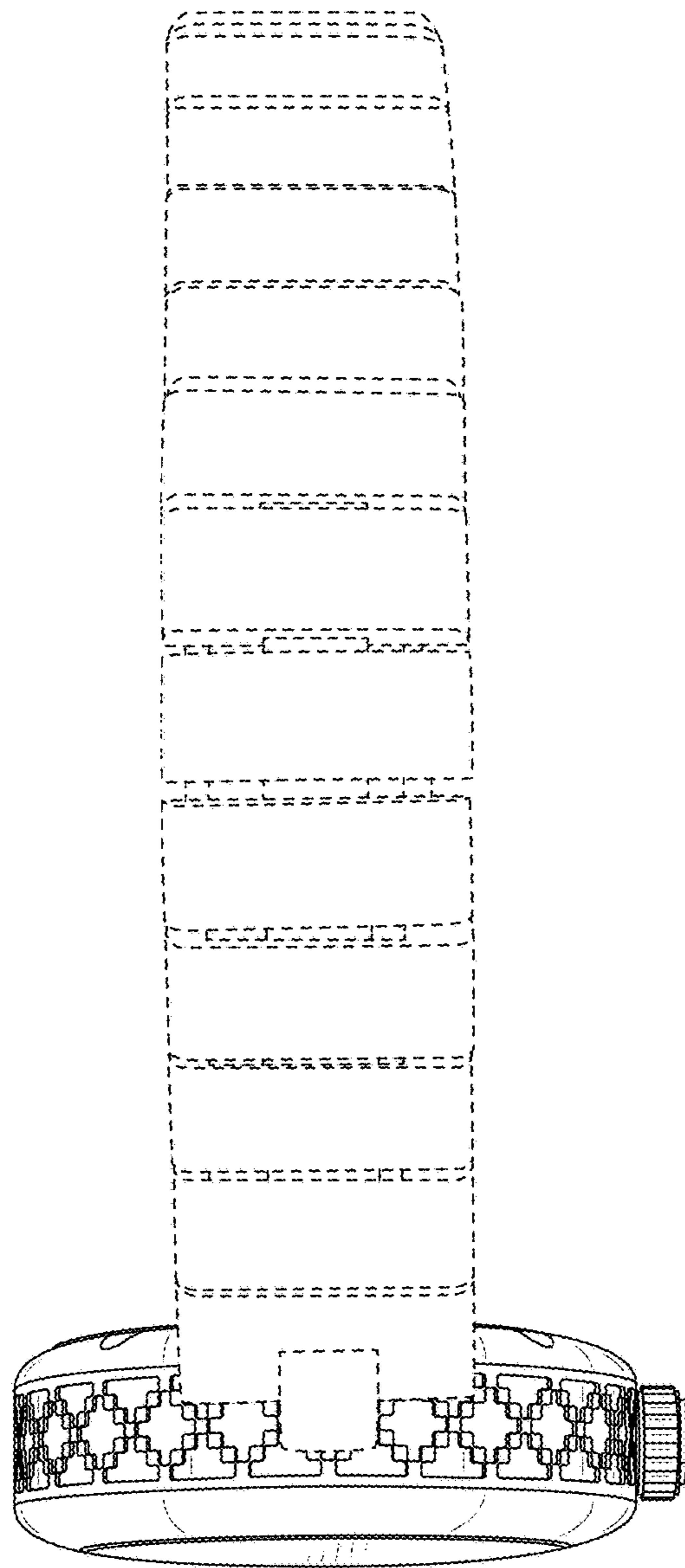


FIG. 6

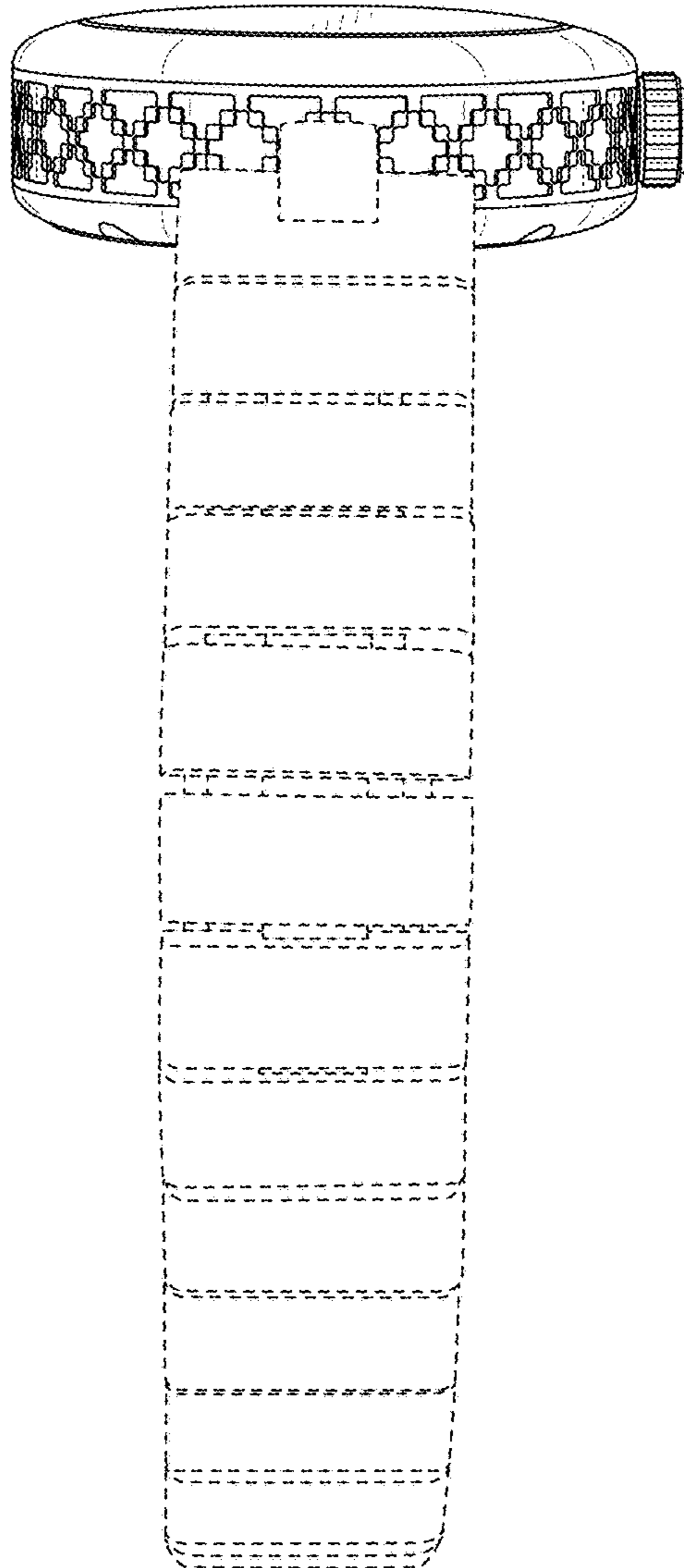


FIG. 7