



US00D772730S

(12) **United States Design Patent**  
**Lai et al.**

(10) **Patent No.:** **US D772,730 S**  
(45) **Date of Patent:** **\*\* Nov. 29, 2016**

(54) **CASE FOR AN ELECTRONIC DEVICE**

(71) Applicant: **CATALYST LIFESTYLE LIMITED,**  
North Point (HK)

(72) Inventors: **June Lai,** Hong Kong (CN); **Joshua Wright,** Hong Kong (CN)

(73) Assignee: **CATALYST LIFESTYLE LIMITED,**  
North Point, Hong Kong (CN)

(\*\*) Term: **15 Years**

(21) Appl. No.: **29/546,839**

(22) Filed: **Nov. 25, 2015**

(51) **LOC (10) Cl.** ..... **10-02**

(52) **U.S. Cl.**  
USPC ..... **D10/38**

(58) **Field of Classification Search**  
USPC ..... D10/1-41, 122-124, 126, 128, 131  
CPC .... G04B 19/223; G04B 19/24; G04B 37/00;  
G04B 45/0076; G04B 17/00  
See application file for complete search history.

(56) **References Cited**

U.S. PATENT DOCUMENTS  
1,195,299 A 8/1916 Watcher  
(Continued)

FOREIGN PATENT DOCUMENTS  
CH 218928 4/1942  
CN 203119956 U 8/2013  
(Continued)

*Primary Examiner* — Sandra Snapp  
(74) *Attorney, Agent, or Firm* — Dinsmore & Shohl LLP;  
Mark D. Schneider

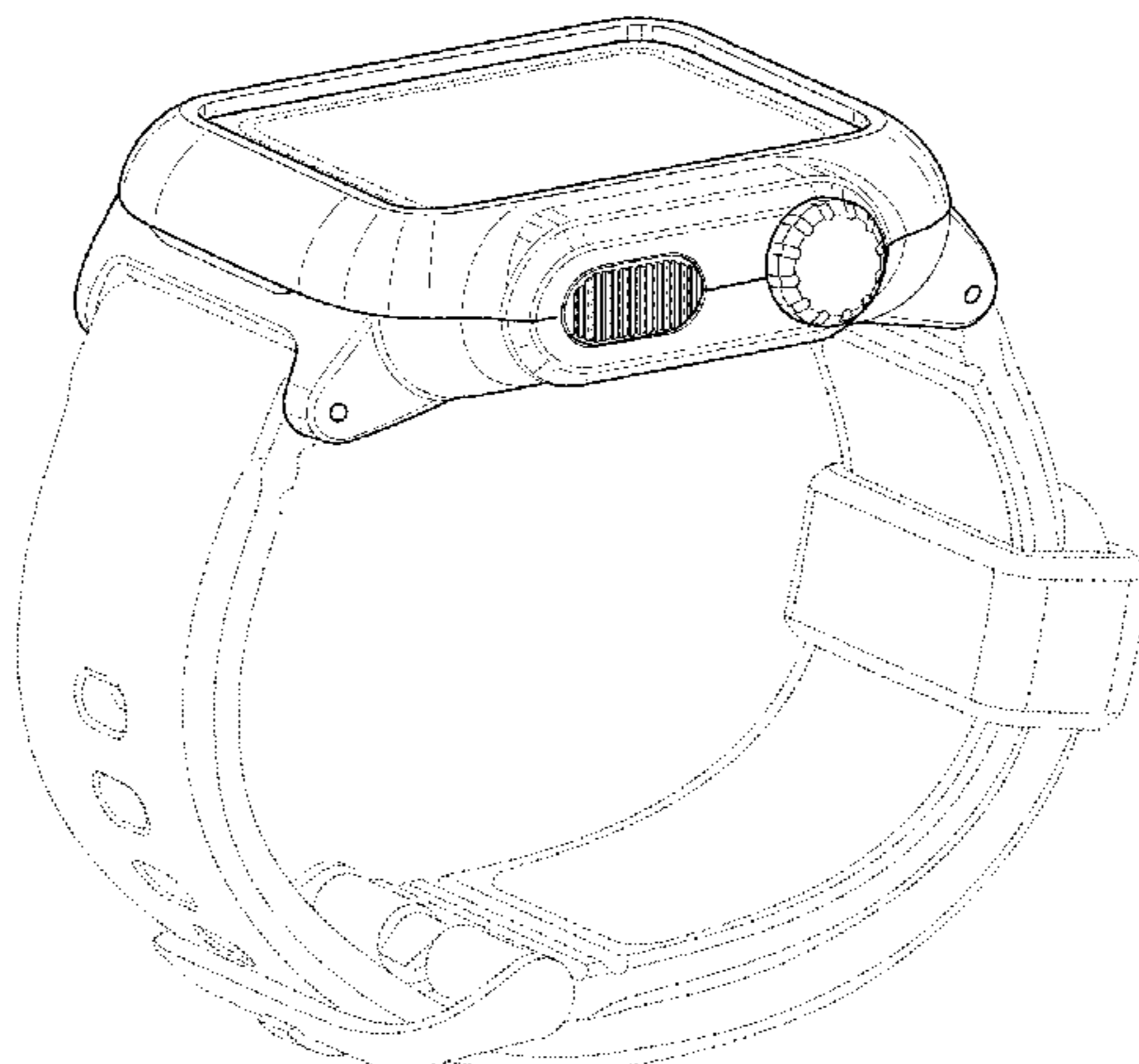
(57) **CLAIM**  
The ornamental design for a case for an electronic device, as shown and described.

**DESCRIPTION**

FIG. 1 is a top, front, side perspective view of a case for an electronic device, the case for an electronic device comprised of a top housing, a sealing wrap and a bottom housing;

FIG. 2 is an exploded top, front perspective view of the case for an electronic device of FIG. 1;  
FIG. 3 is a bottom perspective view of the bottom housing removed for ease of illustration;  
FIG. 4 is an exploded left side elevation view of the case for an electronic device of FIG. 1;  
FIG. 5 is an exploded right side elevation view of the case for an electronic device of FIG. 1;  
FIG. 6 is an exploded front elevation view of the case for an electronic device of FIG. 1;  
FIG. 7 is an exploded rear elevation view of the case for an electronic device of FIG. 1;  
FIG. 8 is a right side elevation view of the top housing and bottom housing assembled together without the sealing wrap;  
FIG. 9 is a left side elevation view of the top housing and bottom housing assembled together without the sealing wrap;  
FIG. 10 is a front elevation view of the assembled case for an electronic device of FIG. 1;  
FIG. 11 is a rear elevation view of the assembled case for an electronic device of FIG. 1;  
FIG. 12 is a top plan view of the assembled case for an electronic device of FIG. 1;  
FIG. 13 is a bottom plan view of the assembled case for an electronic device of FIG. 1;  
FIG. 14 is a top, front perspective view of the top housing removed for ease of illustration;  
FIG. 15 is a bottom, front perspective view of the top housing removed for ease of illustration;  
FIG. 16 is a bottom, rear perspective view of the top housing removed for ease of illustration;  
FIG. 17 is a top, front perspective view of the sealing wrap removed for ease of illustration;  
FIG. 18 is a bottom, rear perspective view of the sealing wrap removed for ease of illustration;  
FIG. 19 is a top, front perspective view of the bottom housing removed for ease of illustration; and,  
FIG. 20 is a top, rear perspective view of the bottom housing removed for ease of illustration.  
The broken lines shown in the drawings of the strap and electronic device are for illustrative purposes only and form no part of the claimed design.

**1 Claim, 15 Drawing Sheets**



(56)

References Cited

U.S. PATENT DOCUMENTS

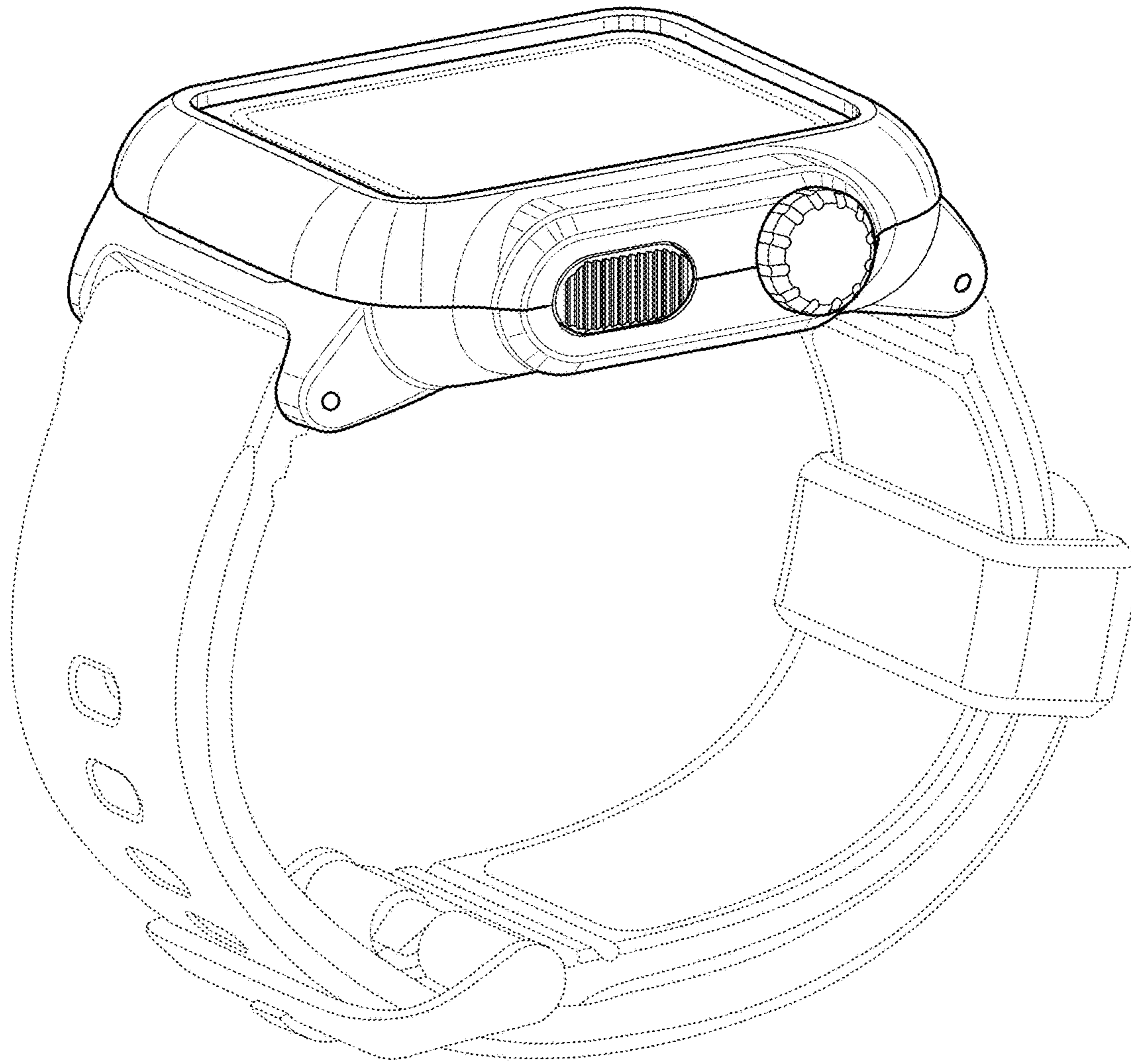
1,205,217 A 11/1916 Kaufman  
 1,986,328 A 1/1935 Dreyfus  
 2,136,625 A 11/1938 Lasko  
 2,392,787 A 1/1946 Vermot  
 D157,606 S 3/1950 Lachman  
 4,236,239 A 11/1980 Imgruth et al.  
 4,390,288 A 6/1983 Arnoux  
 D341,092 S 11/1993 Wild  
 D351,799 S 10/1994 Bulgari  
 D386,094 S 11/1997 Ventrella  
 6,655,831 B1 \* 12/2003 Ruffieux ..... G04B 37/116  
 368/281  
 D507,975 S 8/2005 Dreyfuss  
 D537,371 S \* 2/2007 Belamich ..... D10/39  
 D539,671 S 4/2007 Lassigne  
 D564,367 S 3/2008 Molyneux  
 D578,412 S \* 10/2008 Belamich ..... D10/39  
 D598,304 S \* 8/2009 Belamich ..... D10/39  
 D623,965 S \* 9/2010 Sullivan ..... D10/31  
 D638,312 S 5/2011 Jacobs  
 D638,324 S 5/2011 Tang  
 7,946,758 B2 5/2011 Mooring  
 D645,031 S 9/2011 Richardson et al.  
 D645,360 S \* 9/2011 Kiser ..... D10/32  
 D657,262 S 4/2012 Pulli  
 D664,046 S \* 7/2012 Claessens ..... D10/32  
 D666,924 S 9/2012 Ahlstrom  
 D672,255 S 12/2012 Zanella et al.  
 D672,265 S 12/2012 Pulli  
 D673,477 S 1/2013 Szellos  
 8,345,412 B2 1/2013 Maravilla et al.  
 D683,338 S 5/2013 Wilson et al.

D688,582 S 8/2013 Wilson  
 D688,967 S 9/2013 Wilson  
 D709,057 S 7/2014 Wilson et al.  
 8,787,009 B2 7/2014 Wilson et al.  
 D716,786 S 11/2014 Wilson et al.  
 D719,123 S \* 12/2014 Park ..... D10/38  
 8,967,437 B2 3/2015 Wilson  
 D727,194 S 4/2015 Wilson  
 9,007,758 B2 4/2015 Wilson et al.  
 D729,218 S 5/2015 Wilson et al.  
 9,101,184 B2 8/2015 Wilson  
 D739,768 S 9/2015 Hanshew et al.  
 D742,254 S 11/2015 Greusel et al.  
 D742,761 S 11/2015 Grazian et al.  
 D743,820 S \* 11/2015 Song ..... D10/30  
 9,223,346 B2 12/2015 Wilson  
 D751,067 S 3/2016 Nousiainen  
 D751,550 S \* 3/2016 Solomon ..... D10/38  
 D751,558 S 3/2016 Lee  
 D752,044 S 3/2016 Akana et al.  
 D752,579 S 3/2016 Lee  
 D752,996 S 4/2016 Ebersold  
 D756,357 S 5/2016 Akana et al.  
 D765,072 S \* 8/2016 Kwon ..... D10/38  
 2010/0061191 A1 \* 3/2010 Chen ..... A44C 5/0069  
 368/109  
 2012/0073093 A1 3/2012 Szellos  
 2013/0001263 A1 1/2013 Kai

FOREIGN PATENT DOCUMENTS

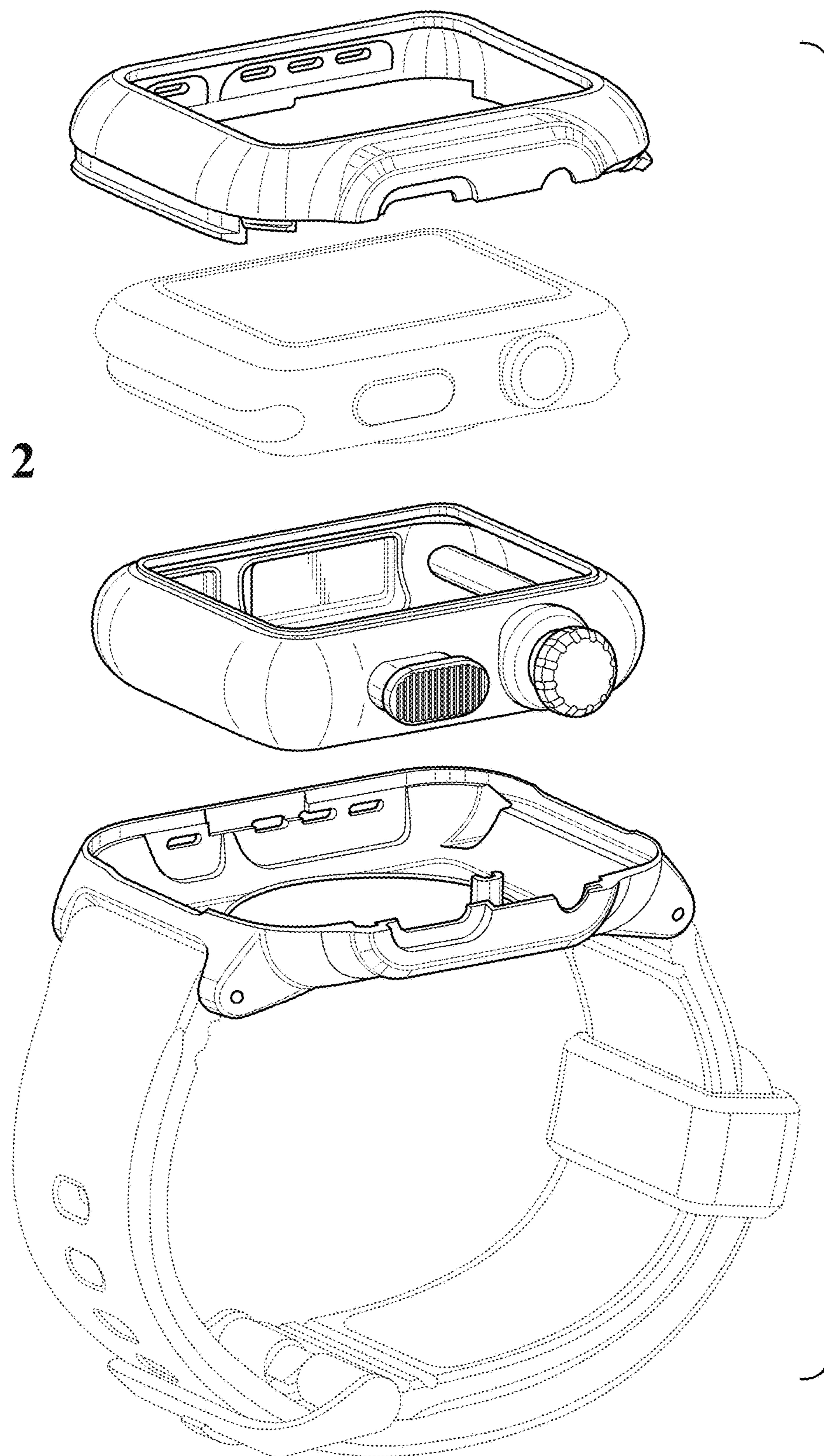
CN 204190798 U 3/2015  
 CN 204305125 U 4/2015  
 DE 822169 11/1951

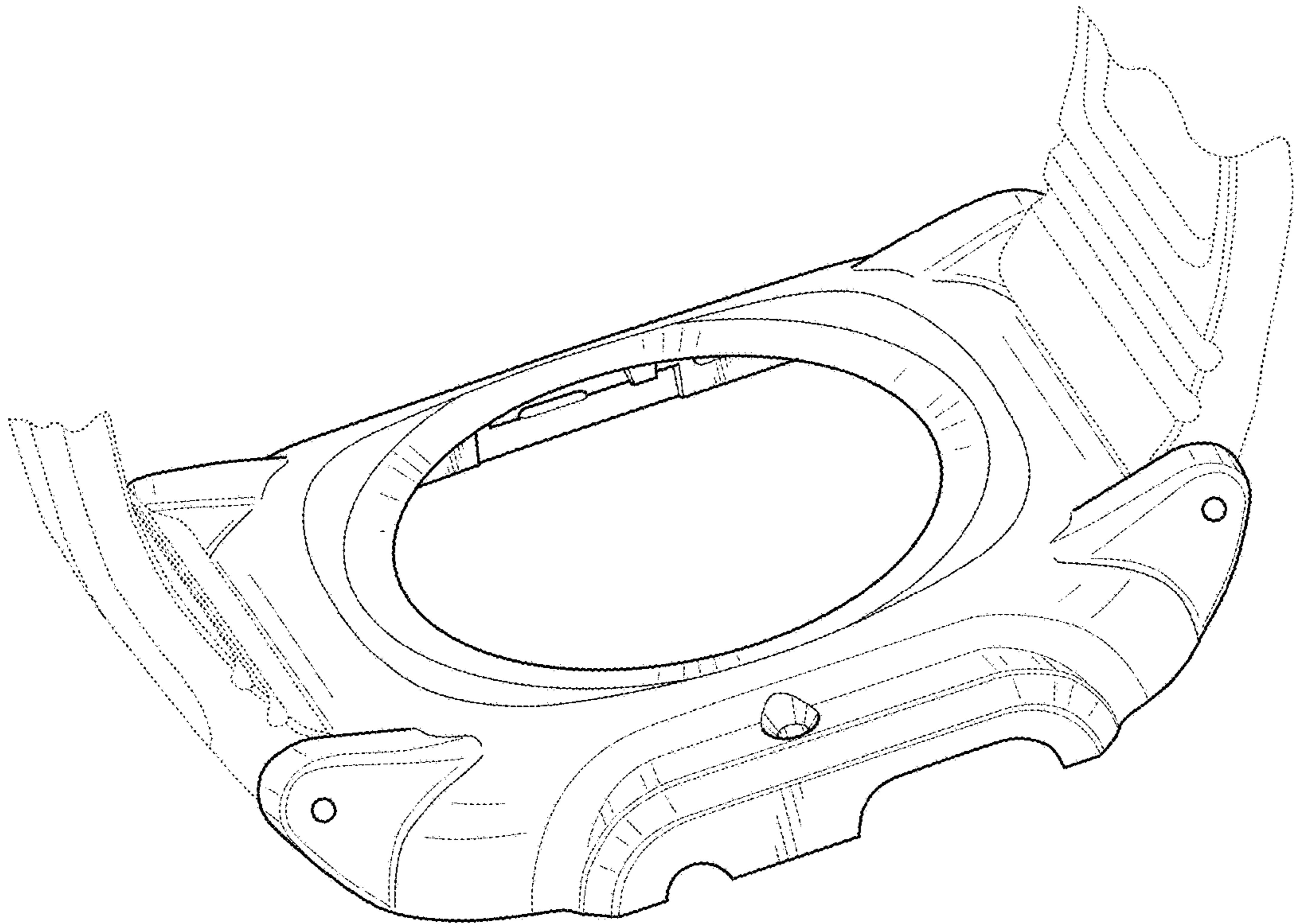
\* cited by examiner



**FIG. 1**

FIG. 2





**FIG. 3**

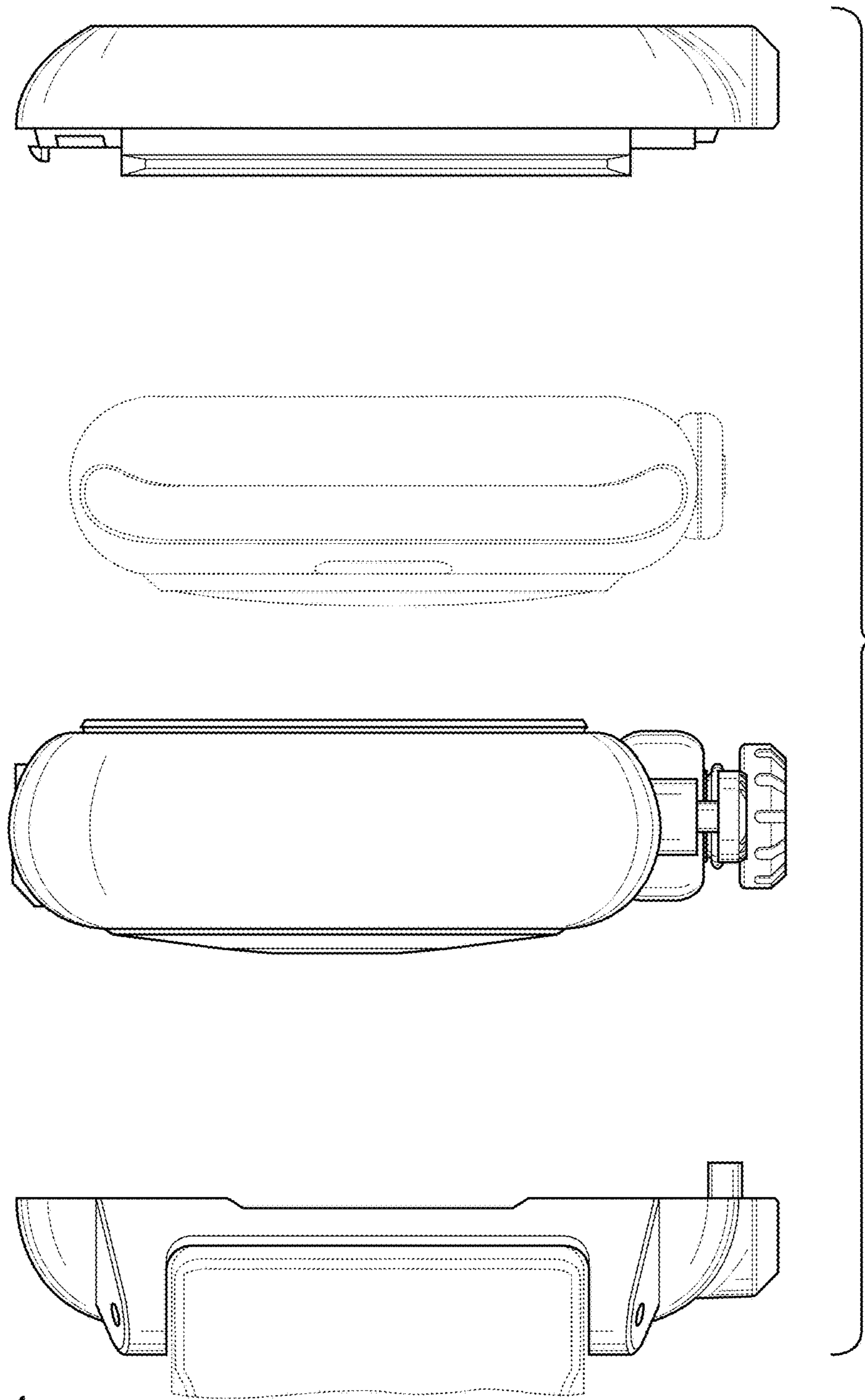


FIG 4

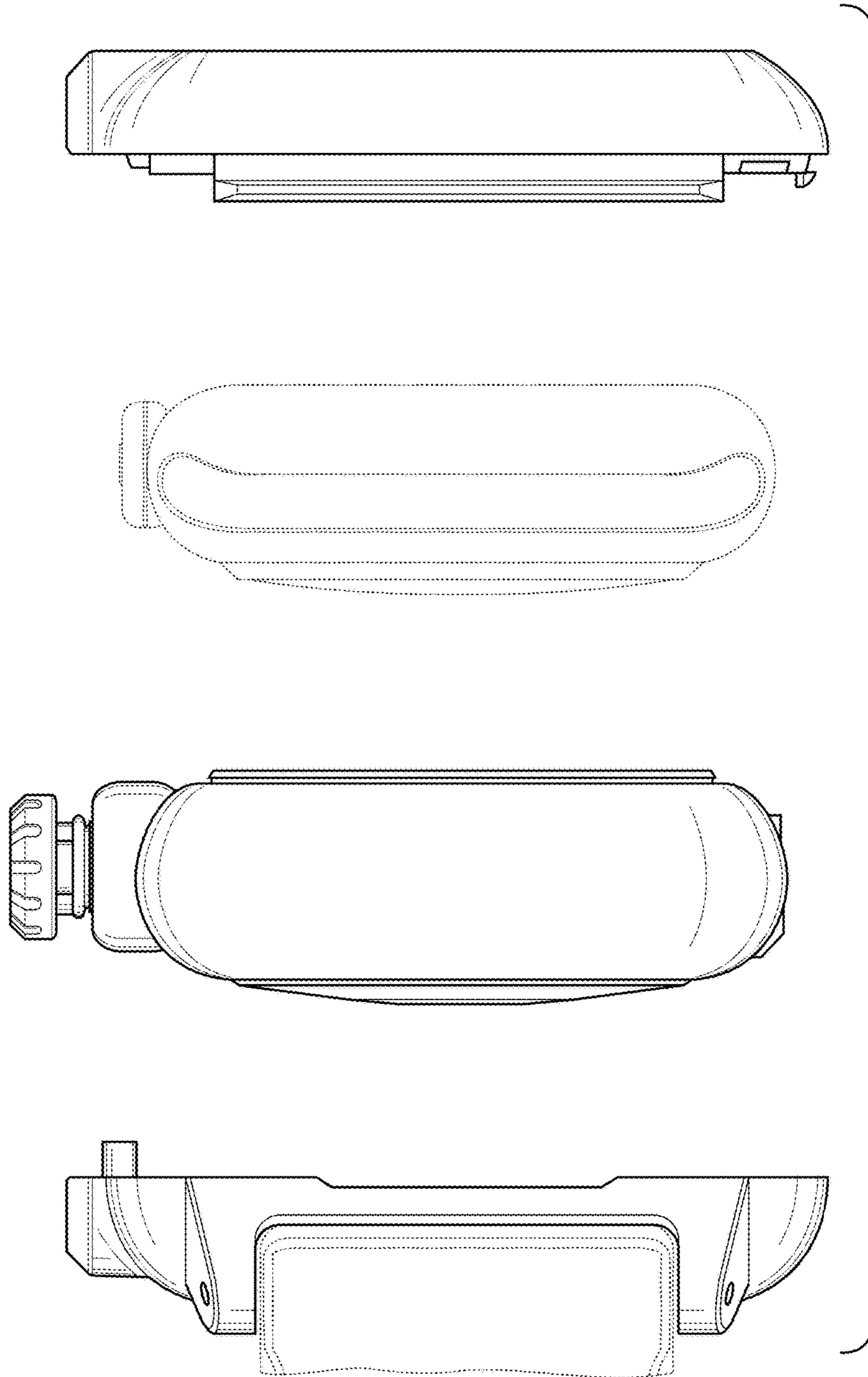
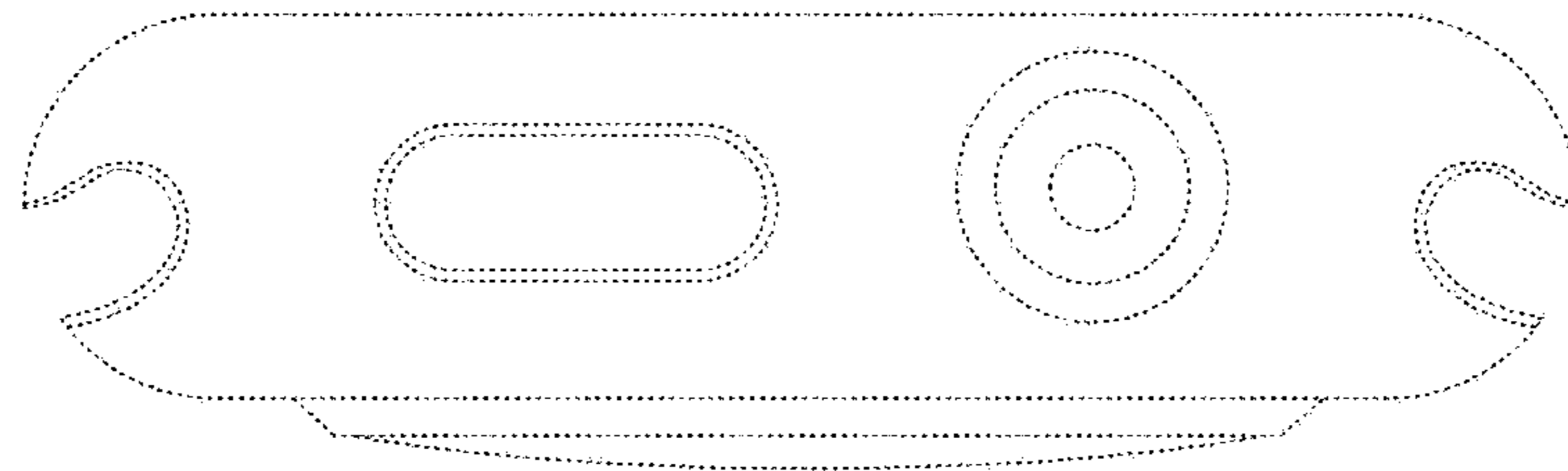
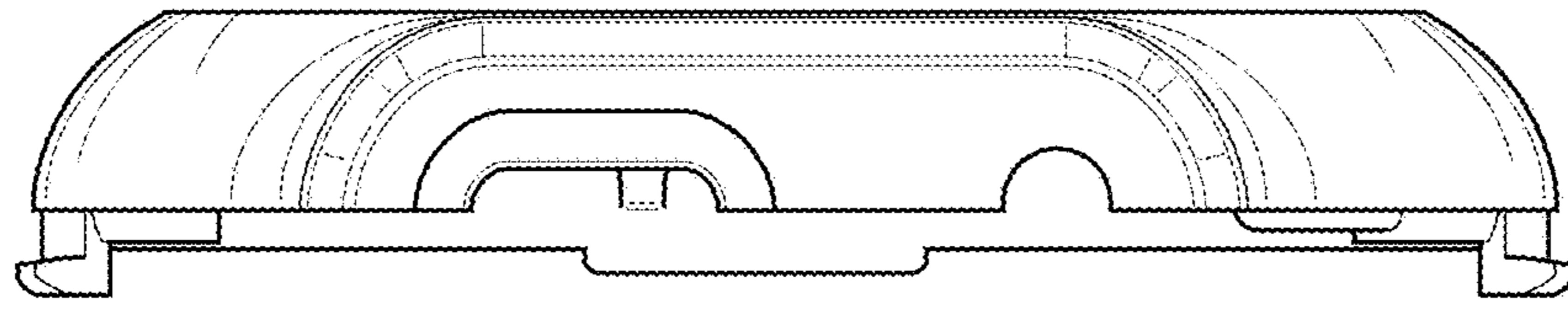
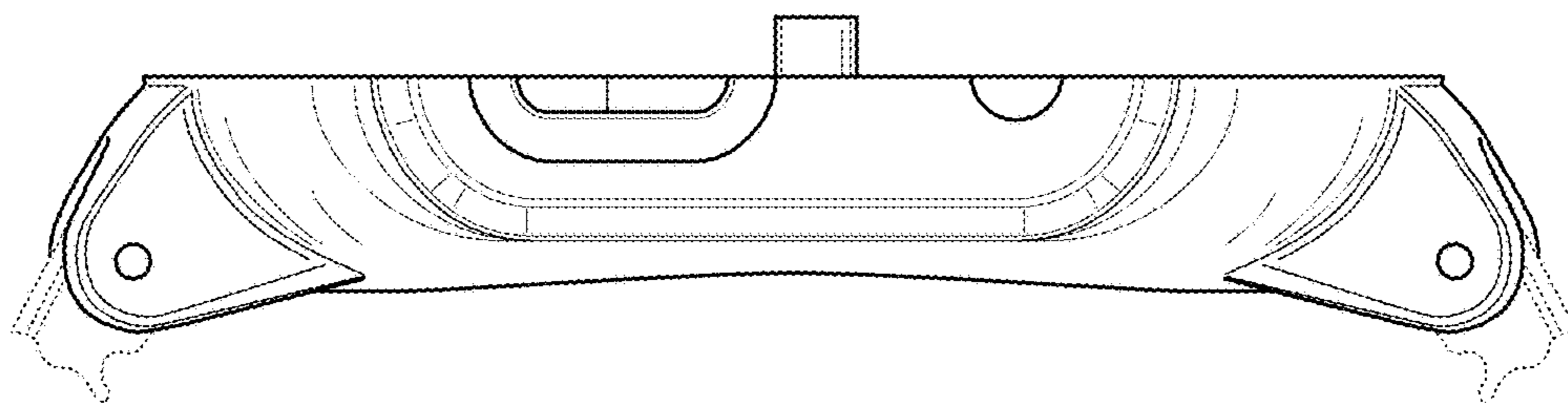
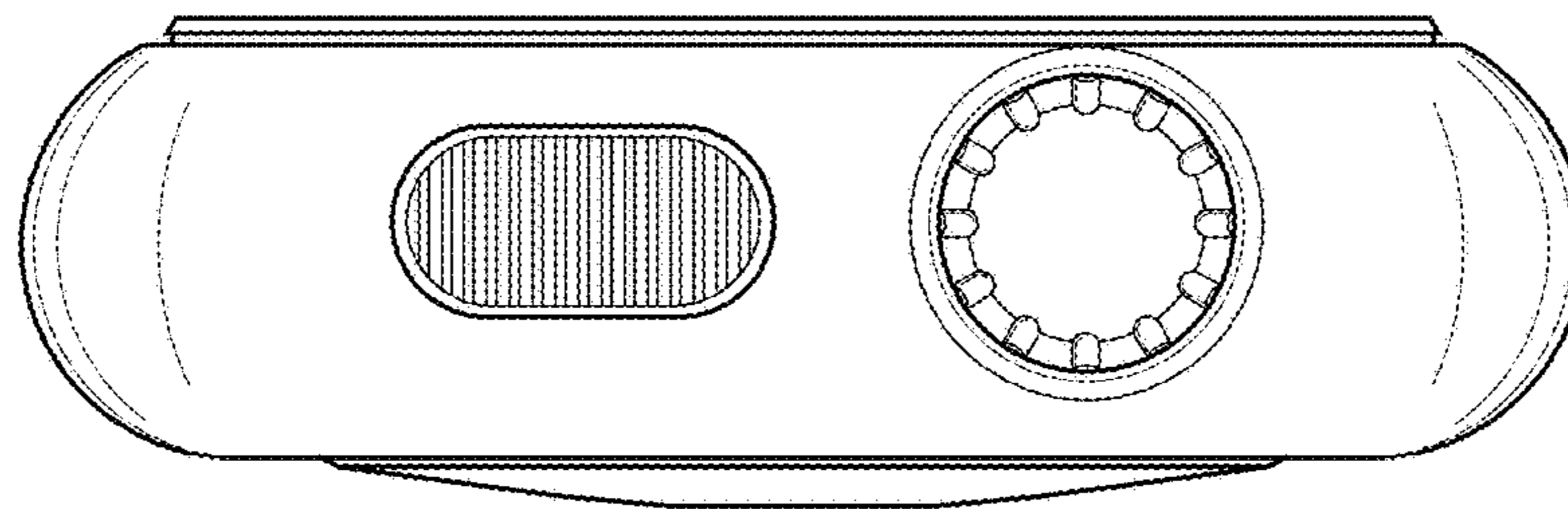


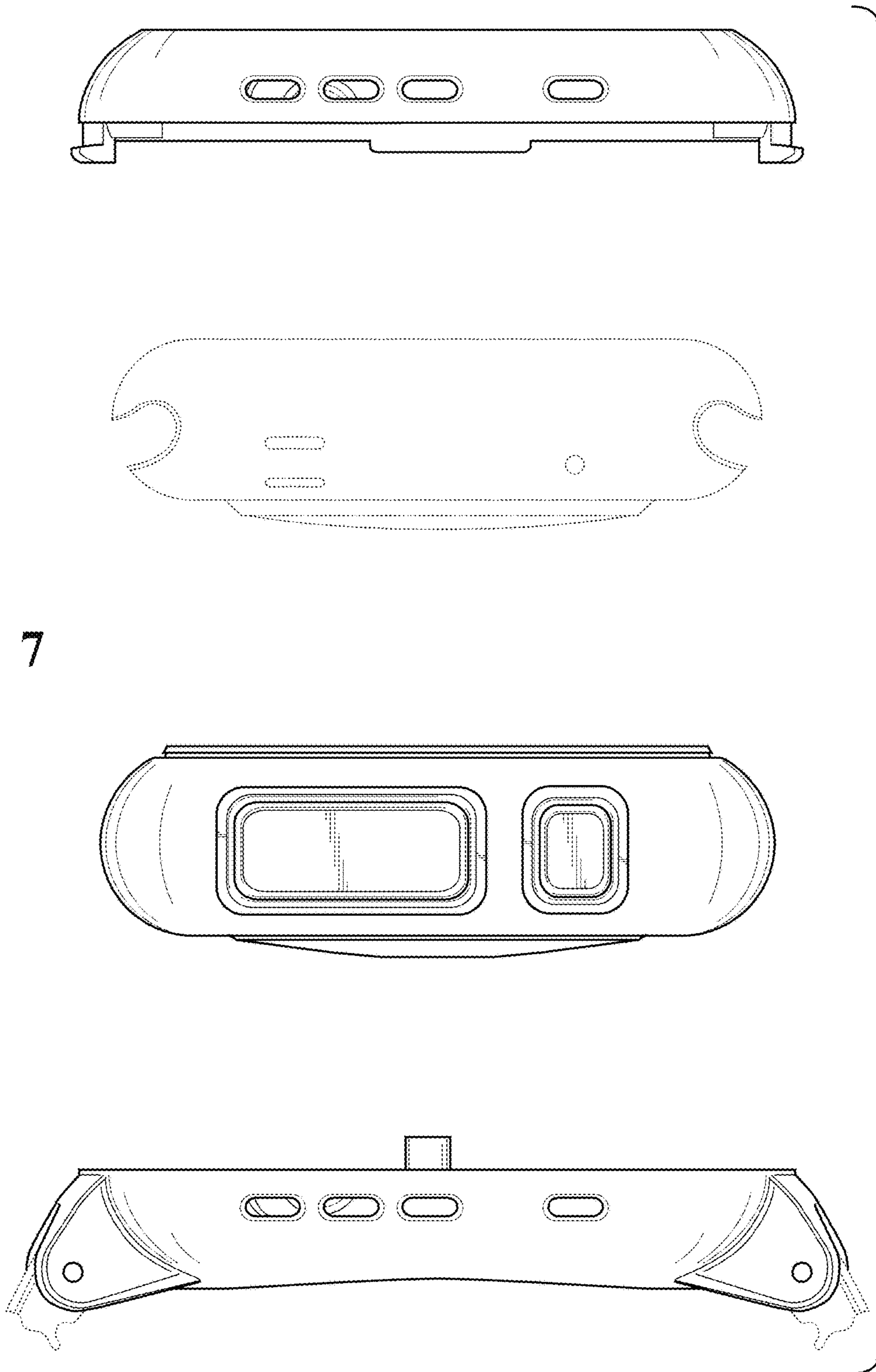
FIG 5

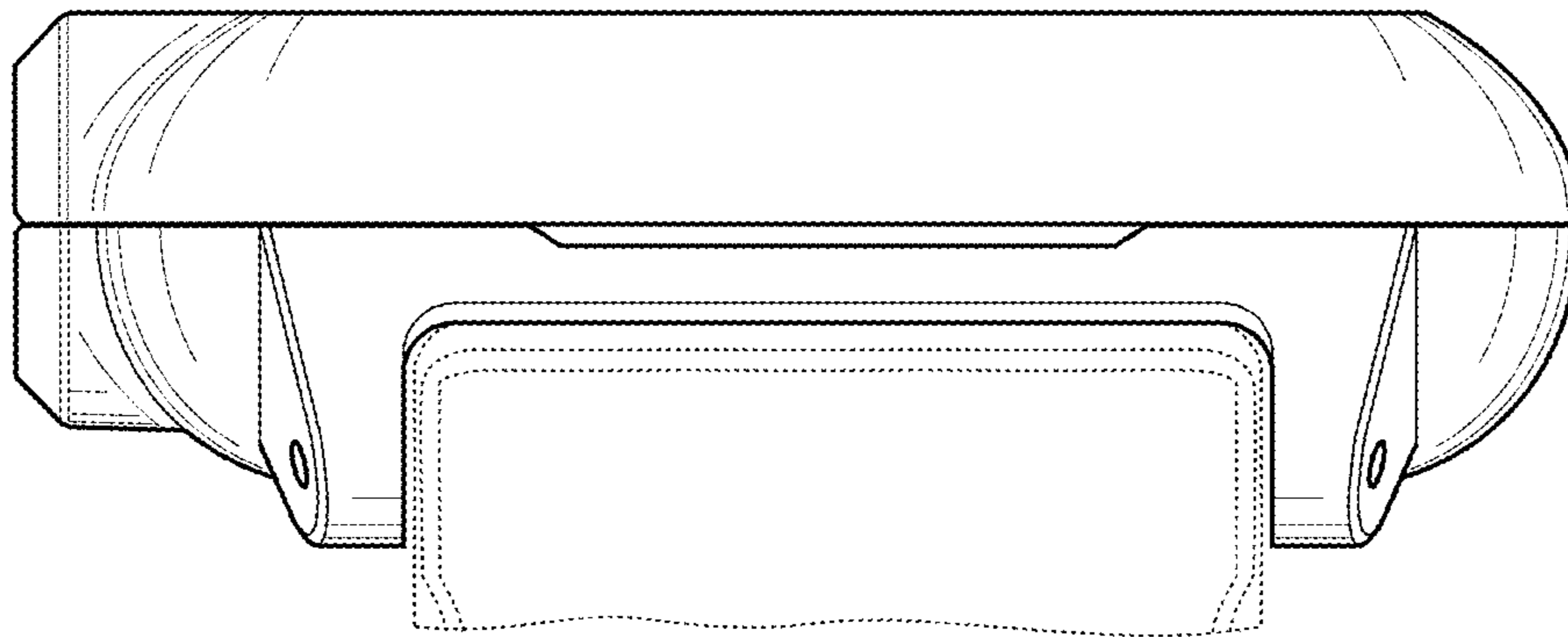


**FIG 6**

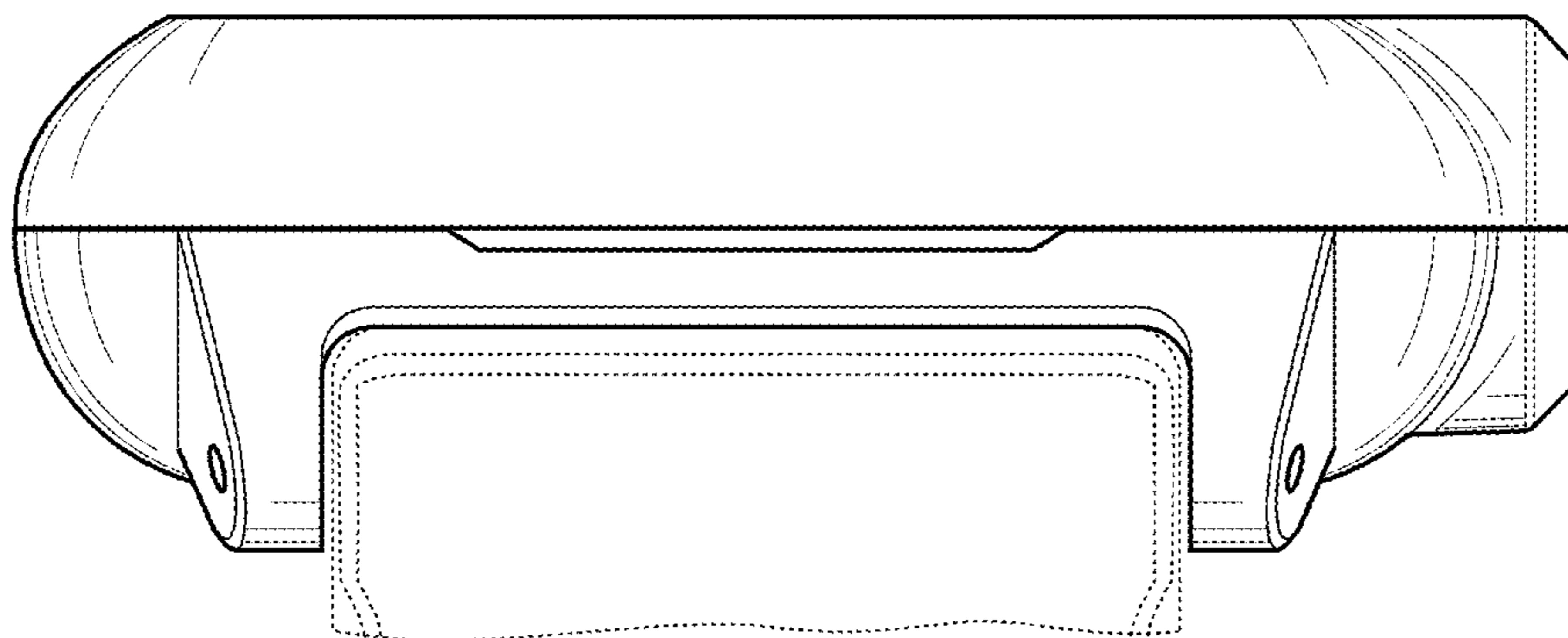




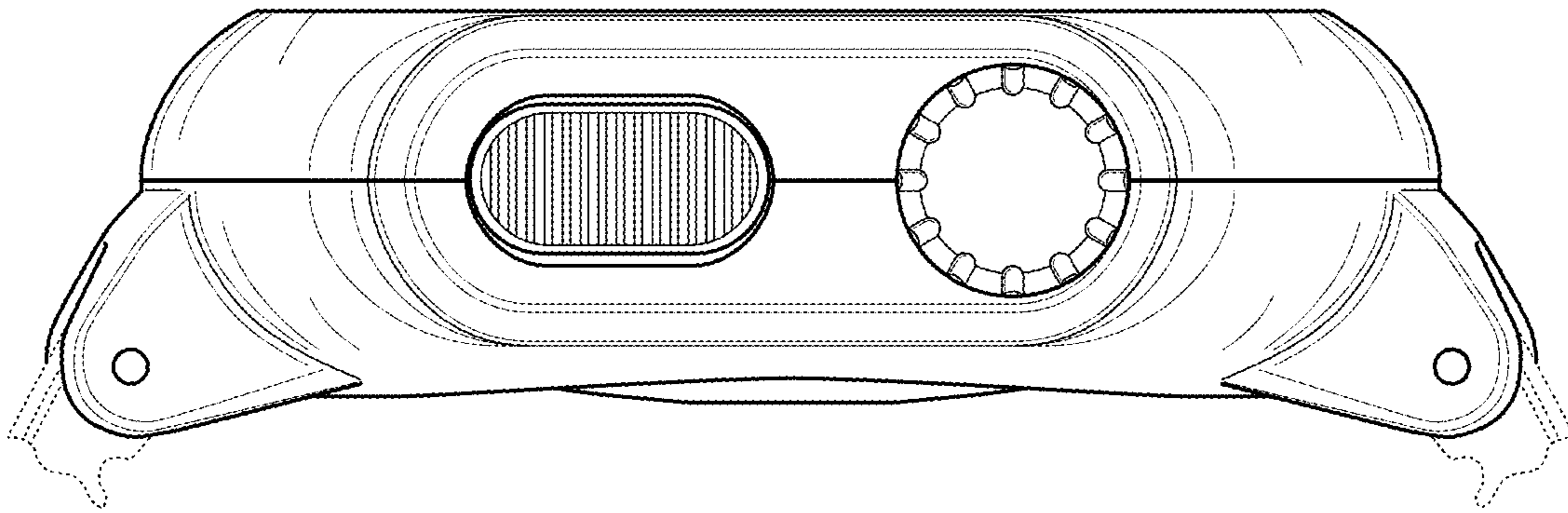




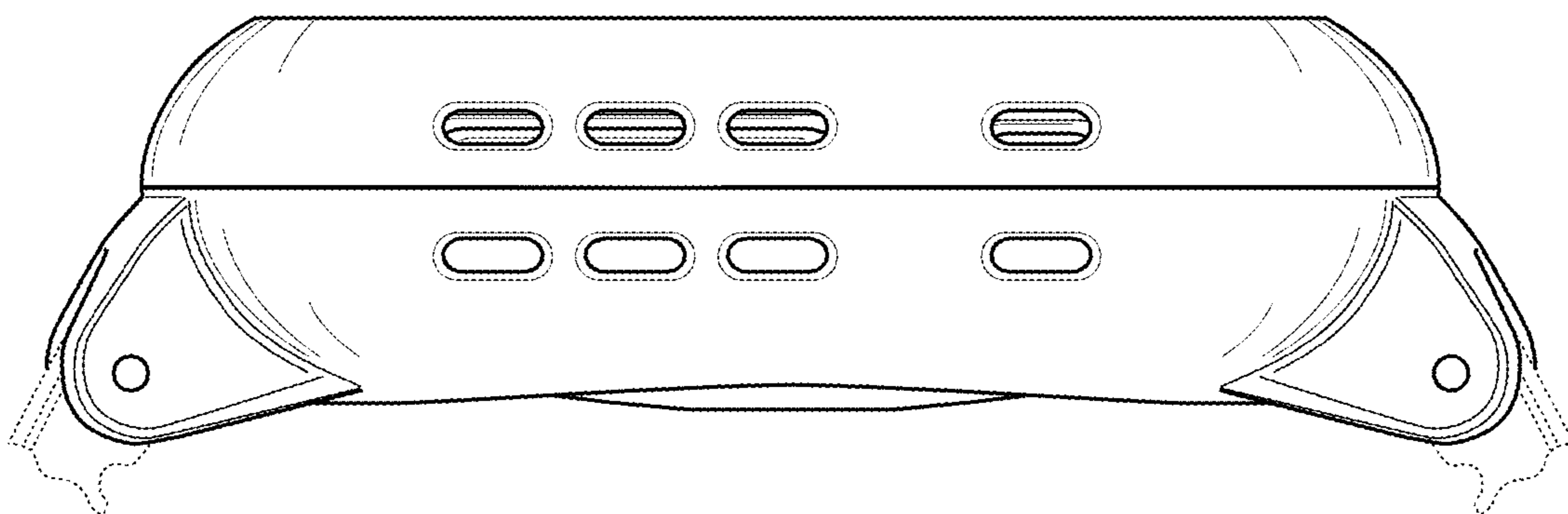
**FIG. 8**



**FIG. 9**



**FIG. 10**



**FIG. 11**

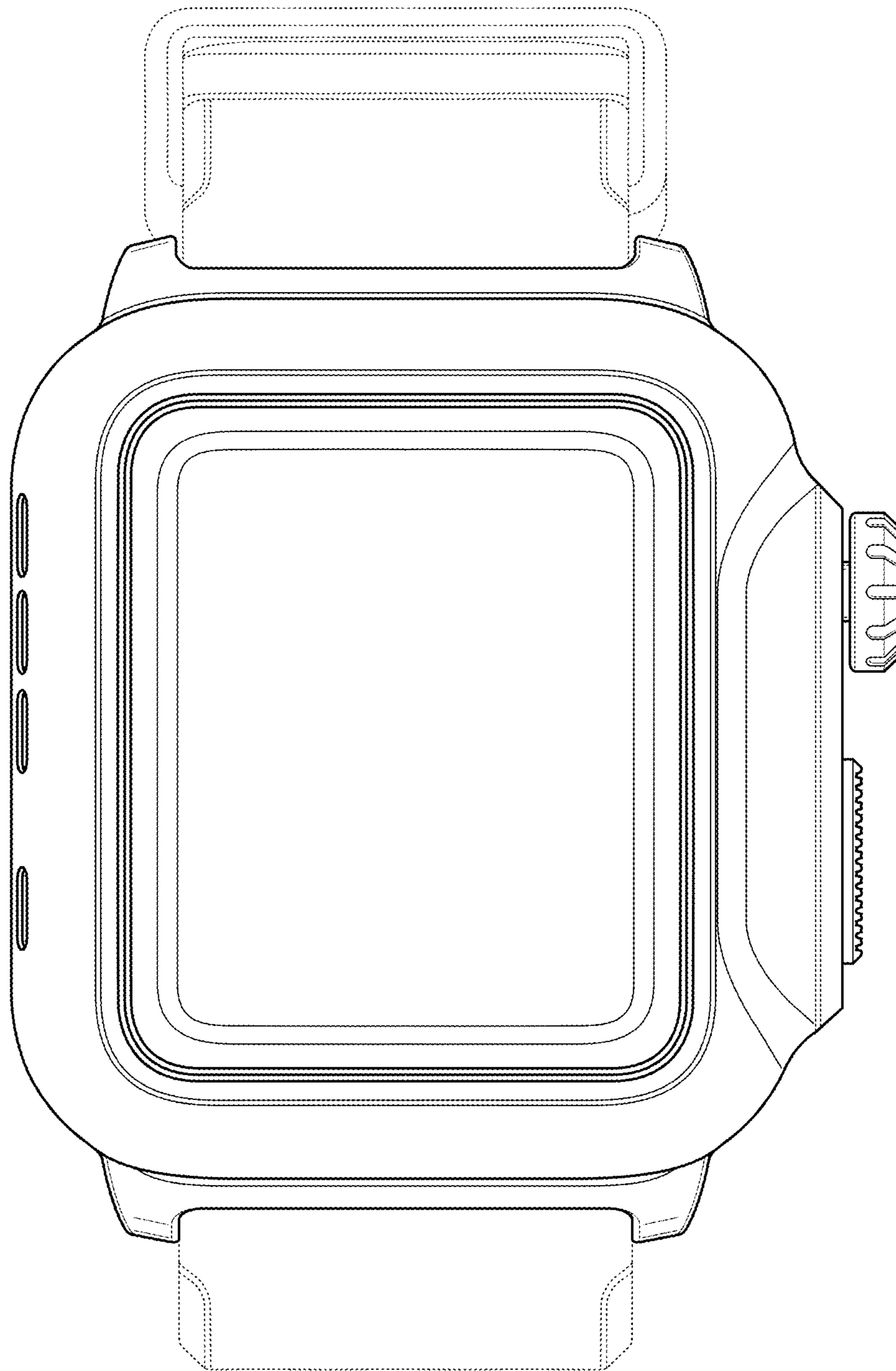
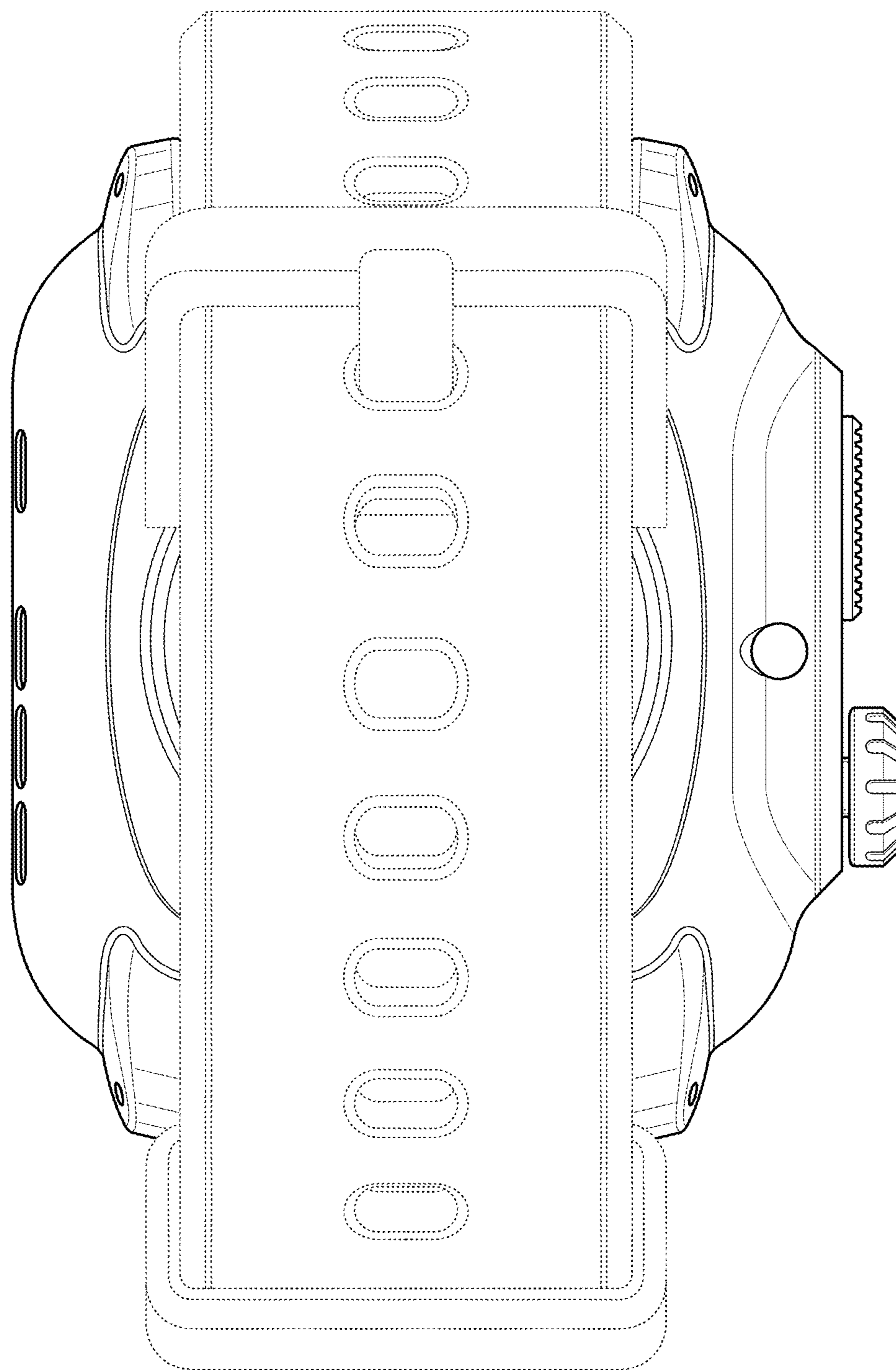
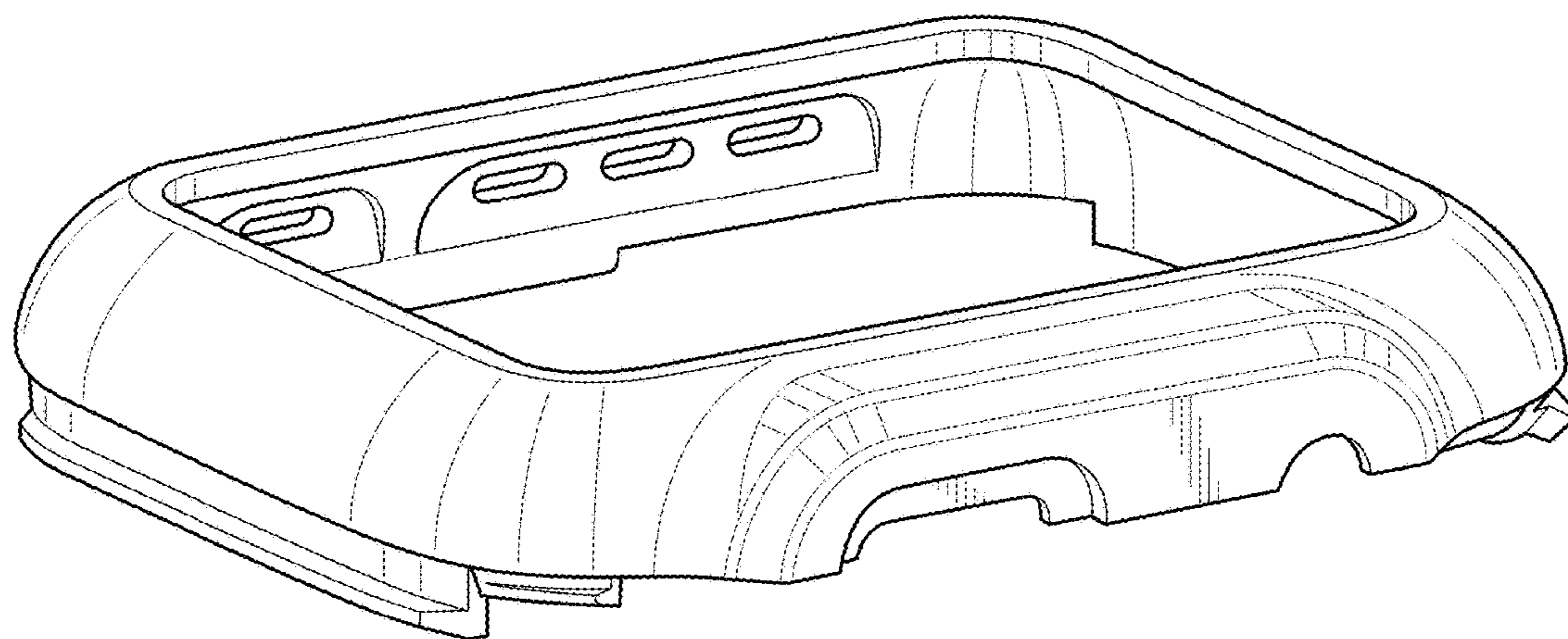


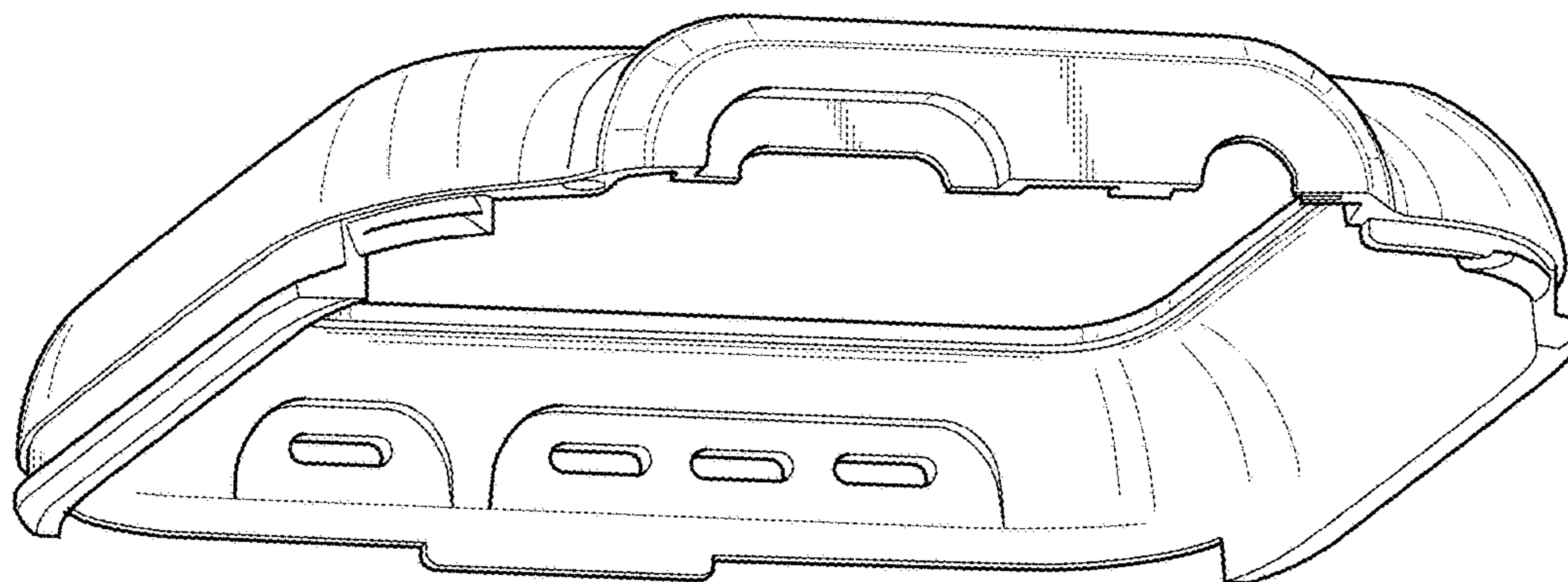
FIG. 12



**FIG. 13**



**FIG. 14**



**FIG. 15**

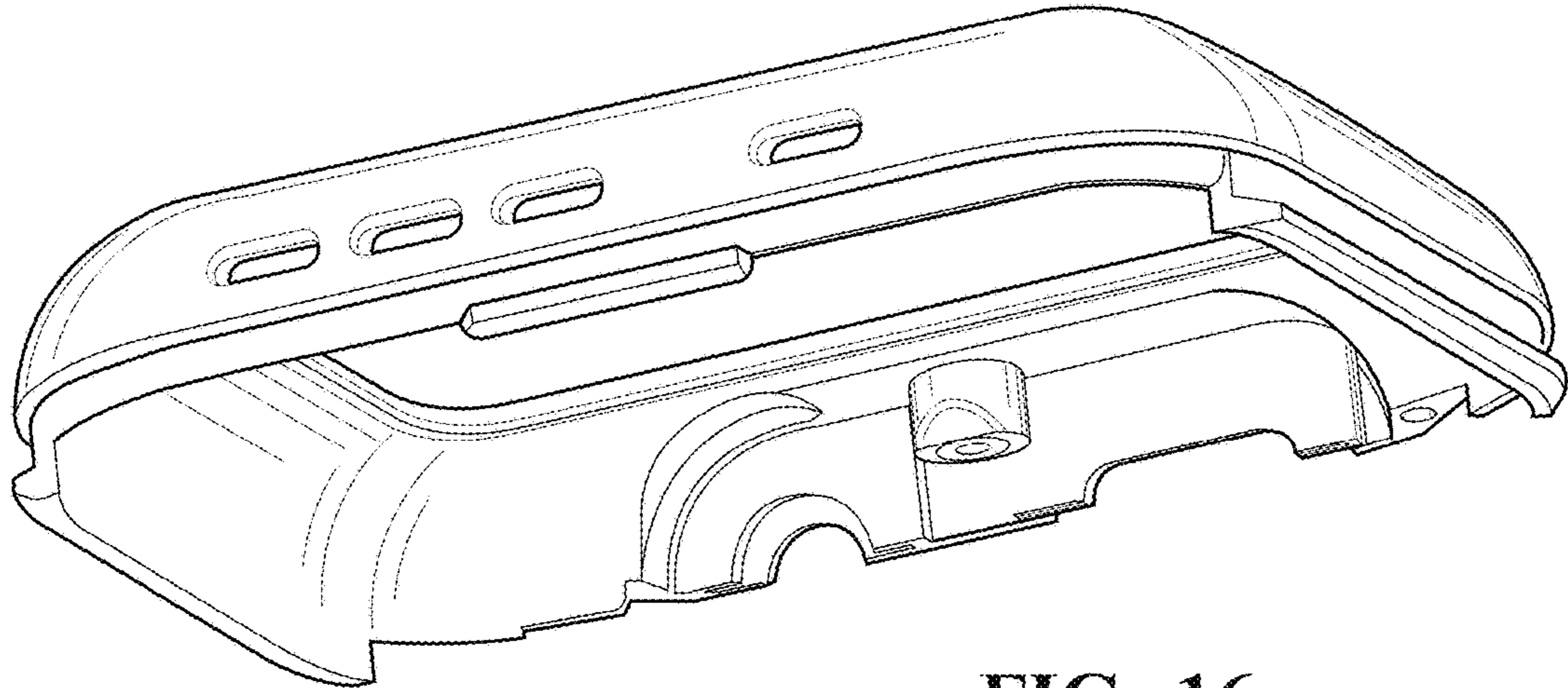
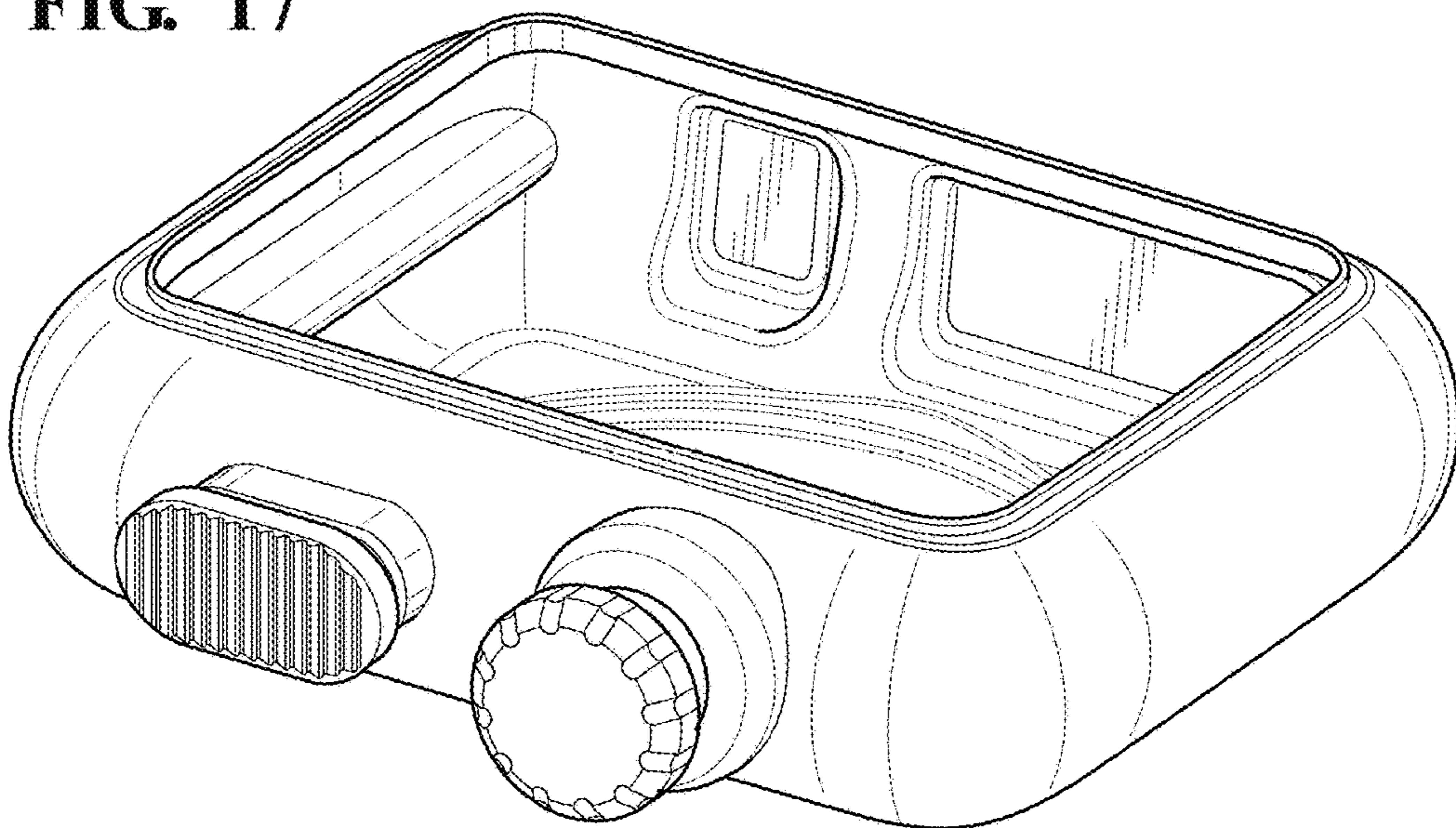
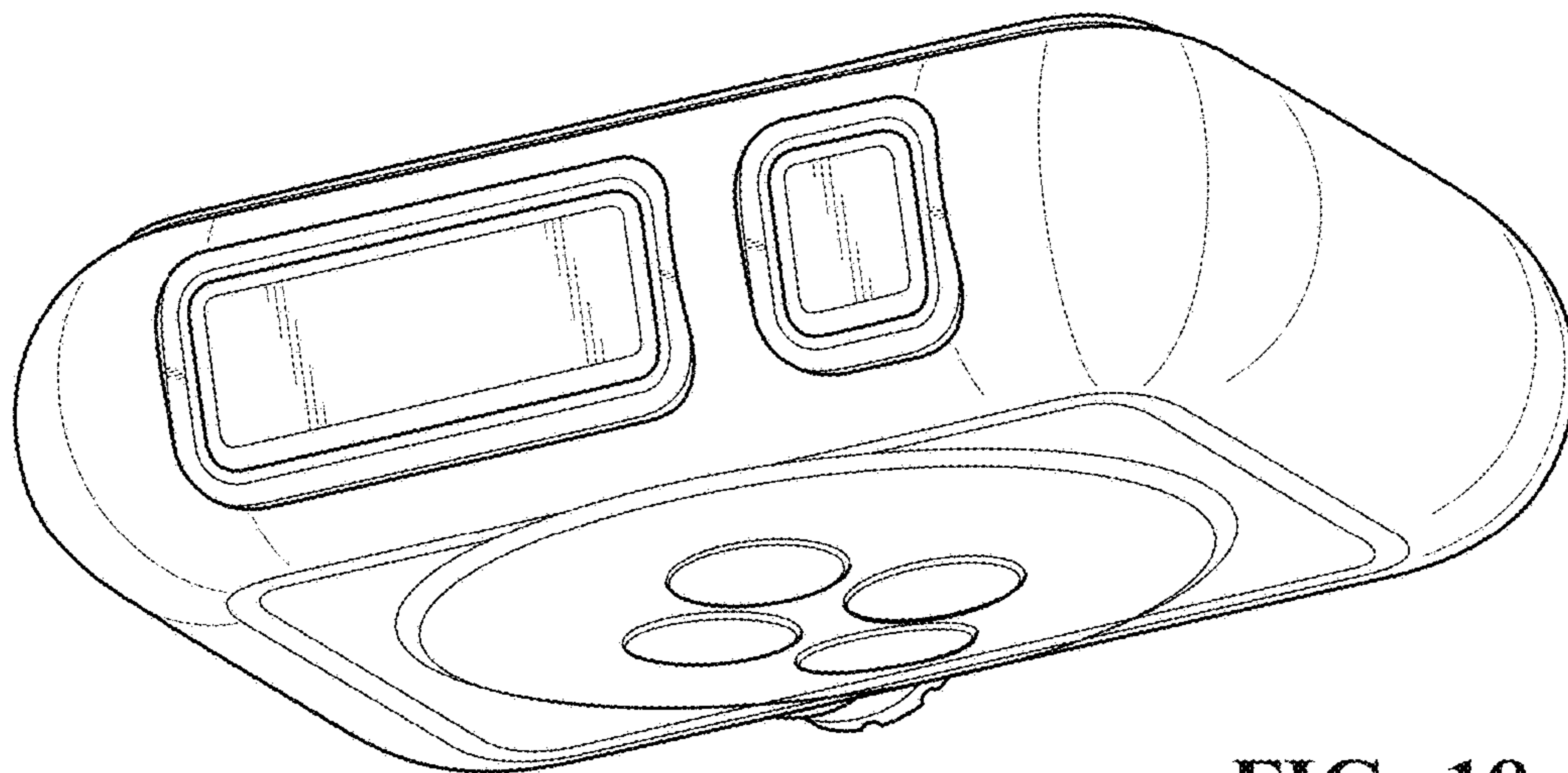


FIG. 16

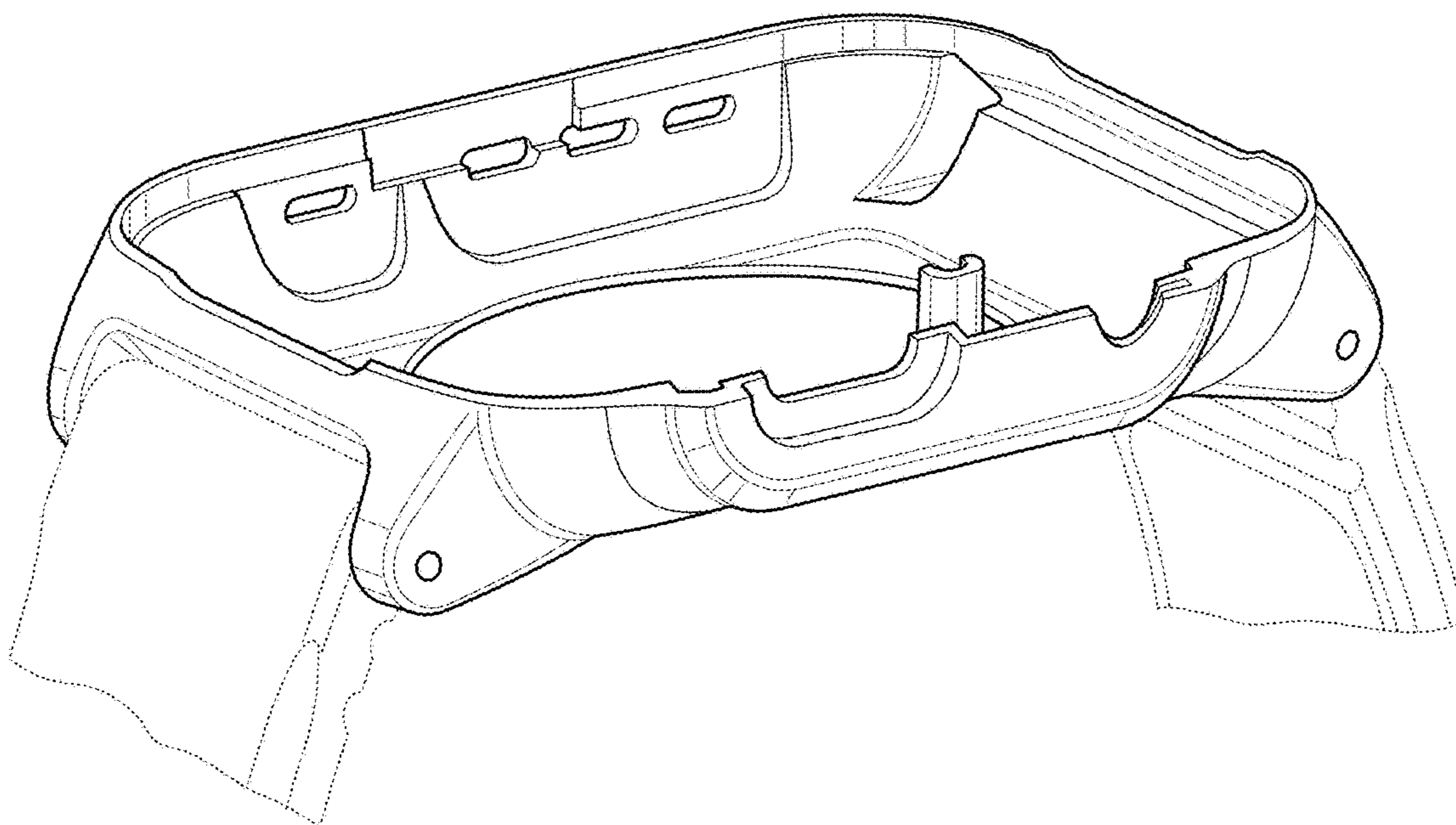
FIG. 17



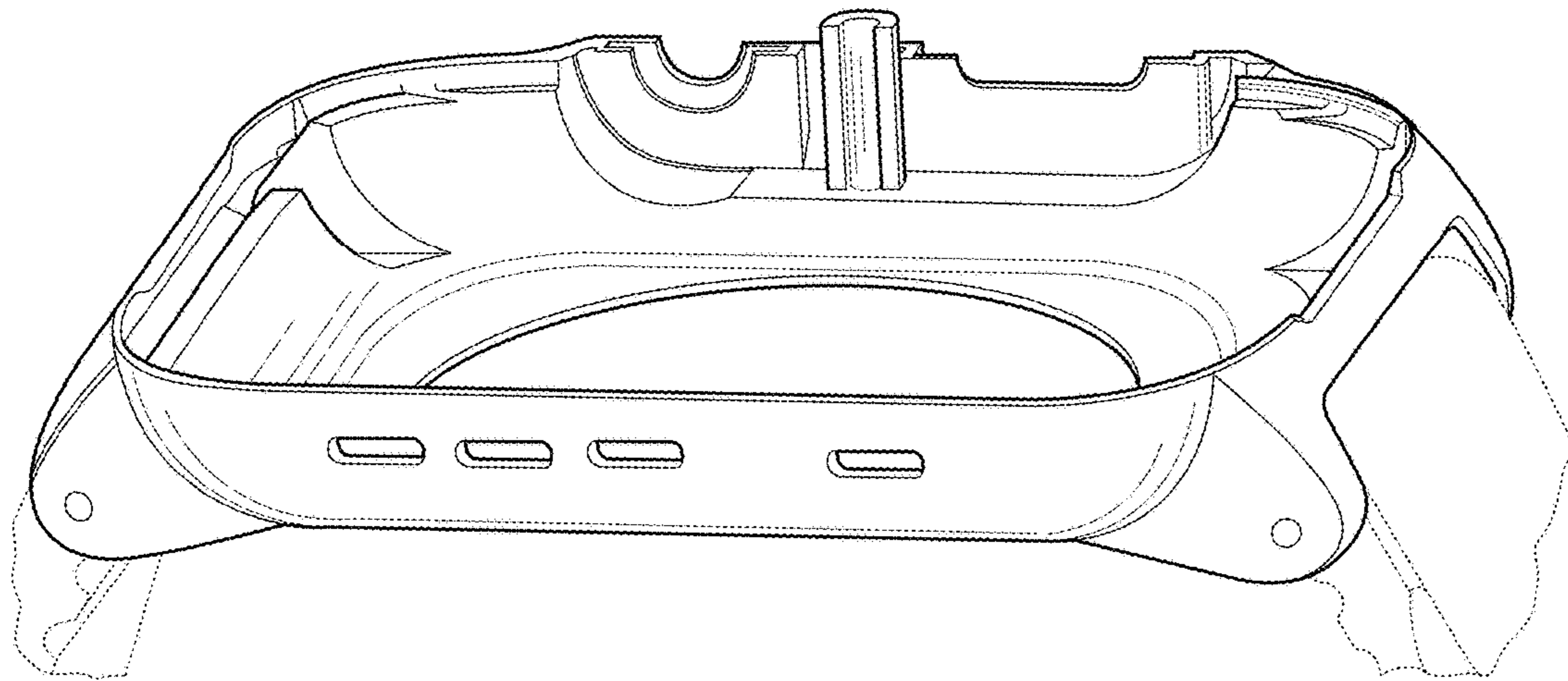


**FIG. 18**

**FIG. 19**







**FIG. 20**