



US00D772729S

(12) **United States Design Patent**
Perret

(10) **Patent No.:** **US D772,729 S**

(45) **Date of Patent:** **** Nov. 29, 2016**

(54) **WATCHCASE**

(71) Applicant: **HARRY WINSTON SA,**
Plan-les-Ouates (CH)

(72) Inventor: **Sébastien Perret,** Montmollin (CH)

(73) Assignee: **HARRY WINSTON SA,**
Plan-les-Ouates (CH)

(**) Term: **15 Years**

(21) Appl. No.: **29/539,513**

(22) Filed: **Sep. 15, 2015**

(30) **Foreign Application Priority Data**

Mar. 16, 2015 (WO) DM/085883

(51) **LOC (10) Cl.** **10-02**

(52) **U.S. Cl.**
USPC **D10/38**

(58) **Field of Classification Search**
USPC D10/1-29, 30-39, 45, 122-132;
D11/44; 248/114; 224/165; 368/80,
368/223, 228, 233, 276, 281, 282, 288-290,
368/308, 319

CPC G04B 19/06; G04B 19/10; G04B 19/12;
G04B 19/08; G04B 19/103; G04B 19/106;
G04B 47/042; G04G 9/087

See application file for complete search history.

(56) **References Cited**

U.S. PATENT DOCUMENTS

D533,468 S * 12/2006 Loth D10/32
D540,196 S * 4/2007 Ruchonnet D10/32

D544,372 S * 6/2007 Seyr D10/32
D574,262 S * 8/2008 Martinez D10/32
D591,179 S * 4/2009 Loth D10/39
D591,621 S * 5/2009 Nataf D10/39
D596,506 S * 7/2009 Fernie D10/1
D604,643 S * 11/2009 Ahlstrom D10/31
D604,644 S * 11/2009 Ahlstrom D10/31
D612,749 S * 3/2010 Loth D10/32
D622,163 S * 8/2010 Loth D10/32
D705,668 S * 5/2014 Loth D10/32
D726,556 S * 4/2015 Lasserre D10/39
2012/0287762 A1* 11/2012 Mintiens G04B 19/02
368/233

* cited by examiner

Primary Examiner — Manpreet Matharu

Assistant Examiner — Keith Wilson

(74) *Attorney, Agent, or Firm* — Donald J. Ranft; Collen IP

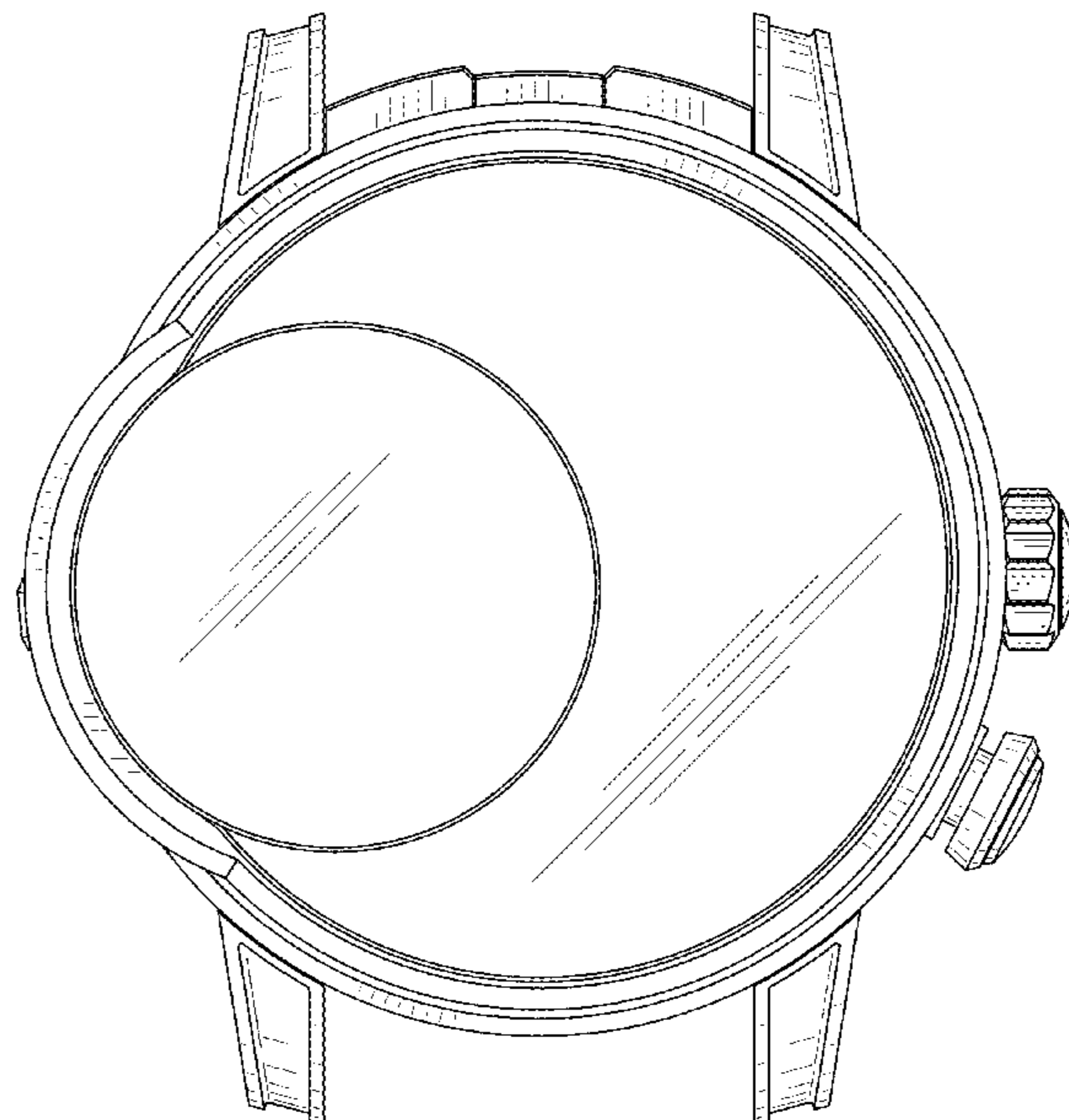
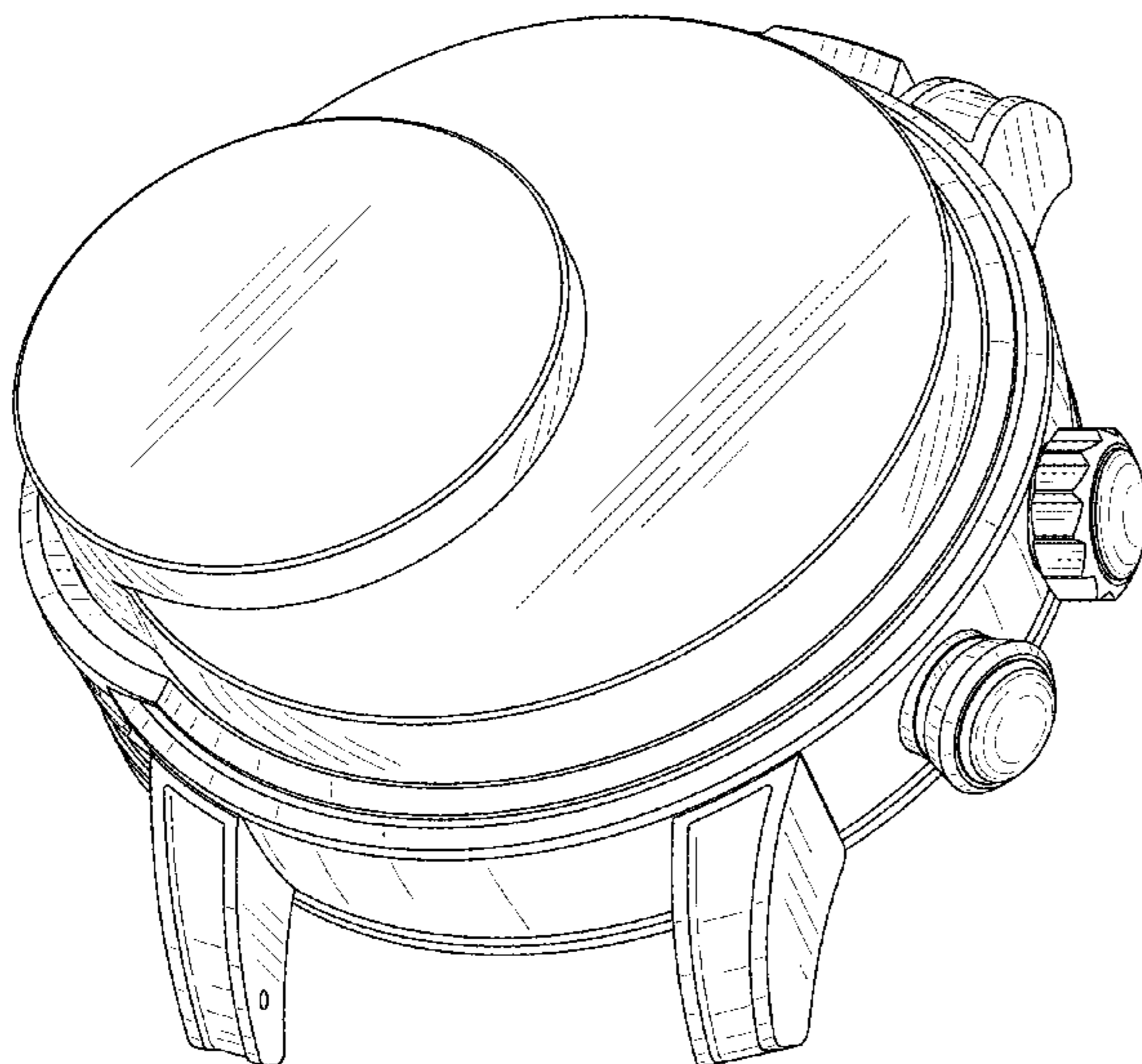
(57) **CLAIM**

The ornamental design for a watchcase, as shown.

DESCRIPTION

FIG. 1 is a front right perspective view of a watchcase showing my new design;
FIG. 2 is a front view thereof;
FIG. 3 is a rear view thereof;
FIG. 4 is a left side view thereof;
FIG. 5 is a right side view thereof;
FIG. 6 is a top view thereof;
FIG. 7 is a bottom view thereof; and,
FIG. 8 is a rear right perspective view thereof.

1 Claim, 6 Drawing Sheets



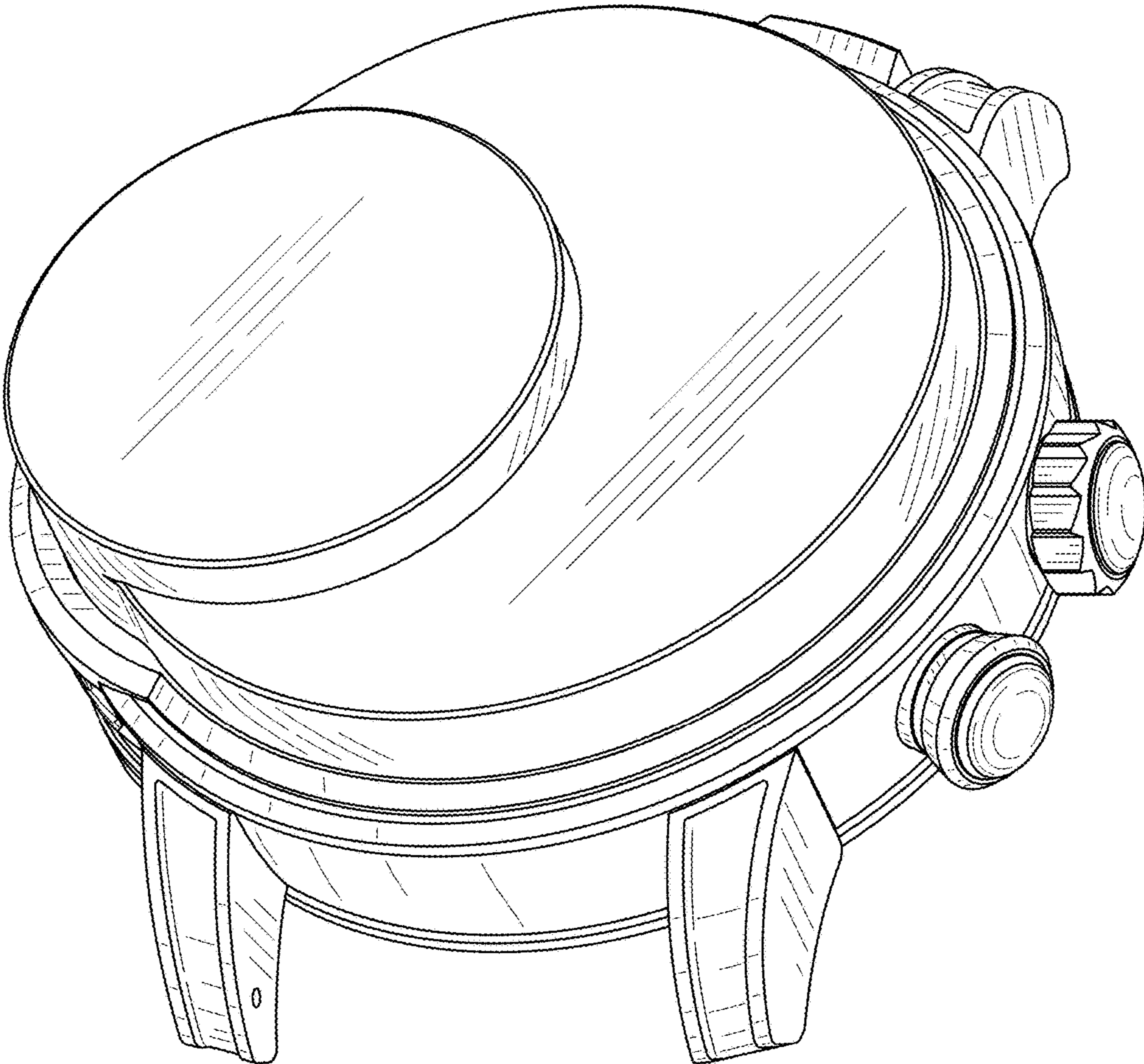


FIG. 1

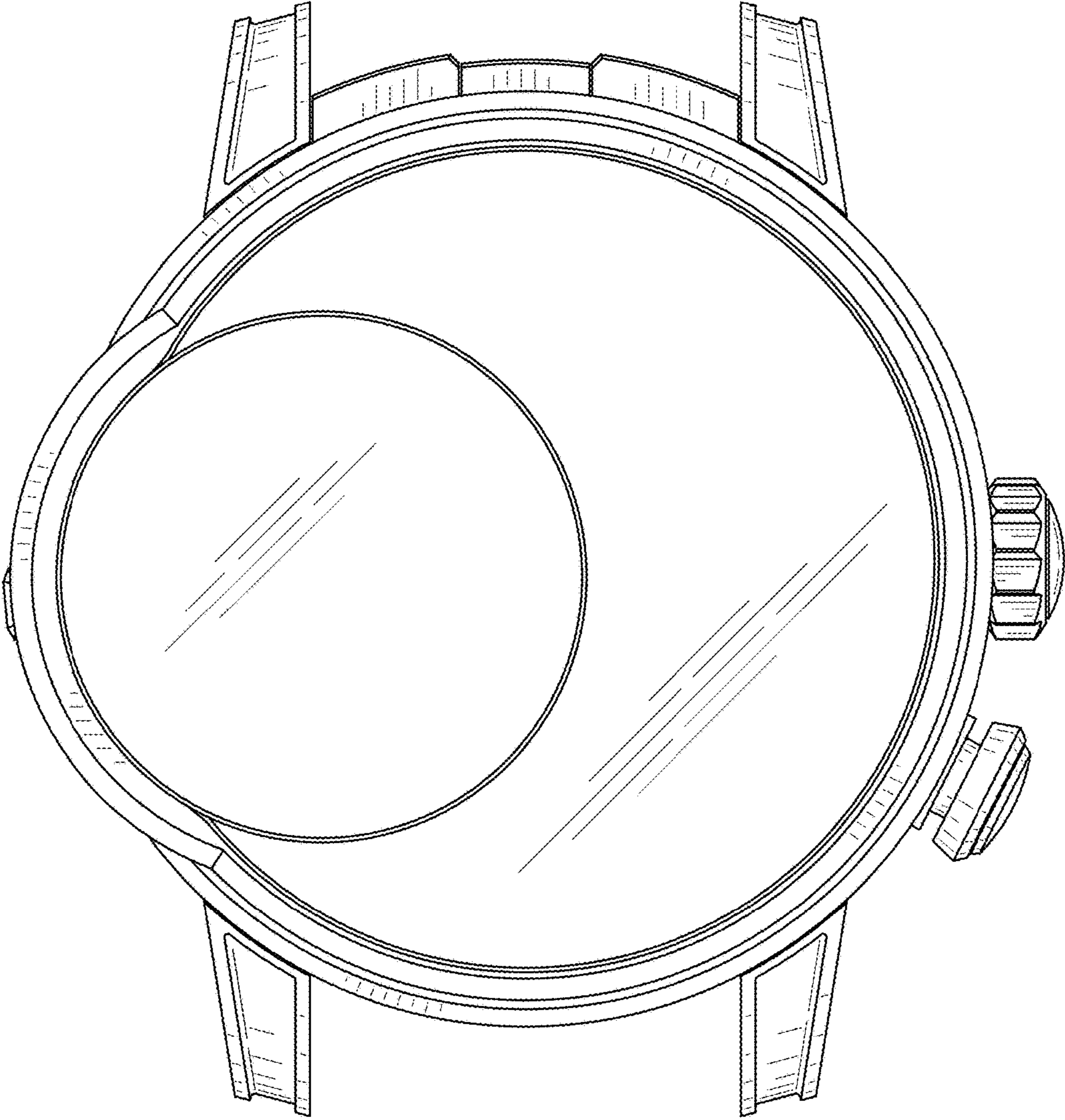


FIG. 2

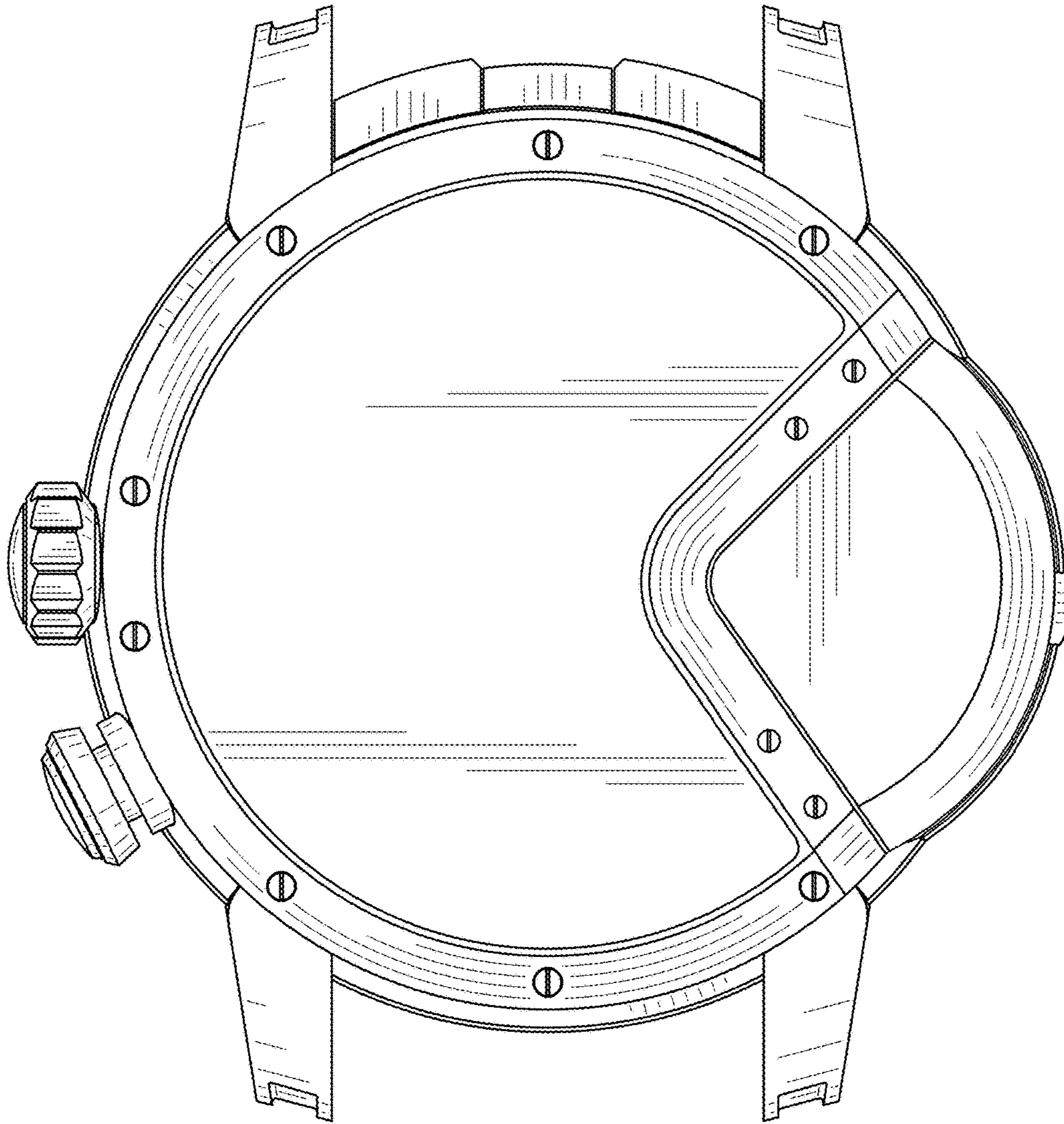


FIG. 3

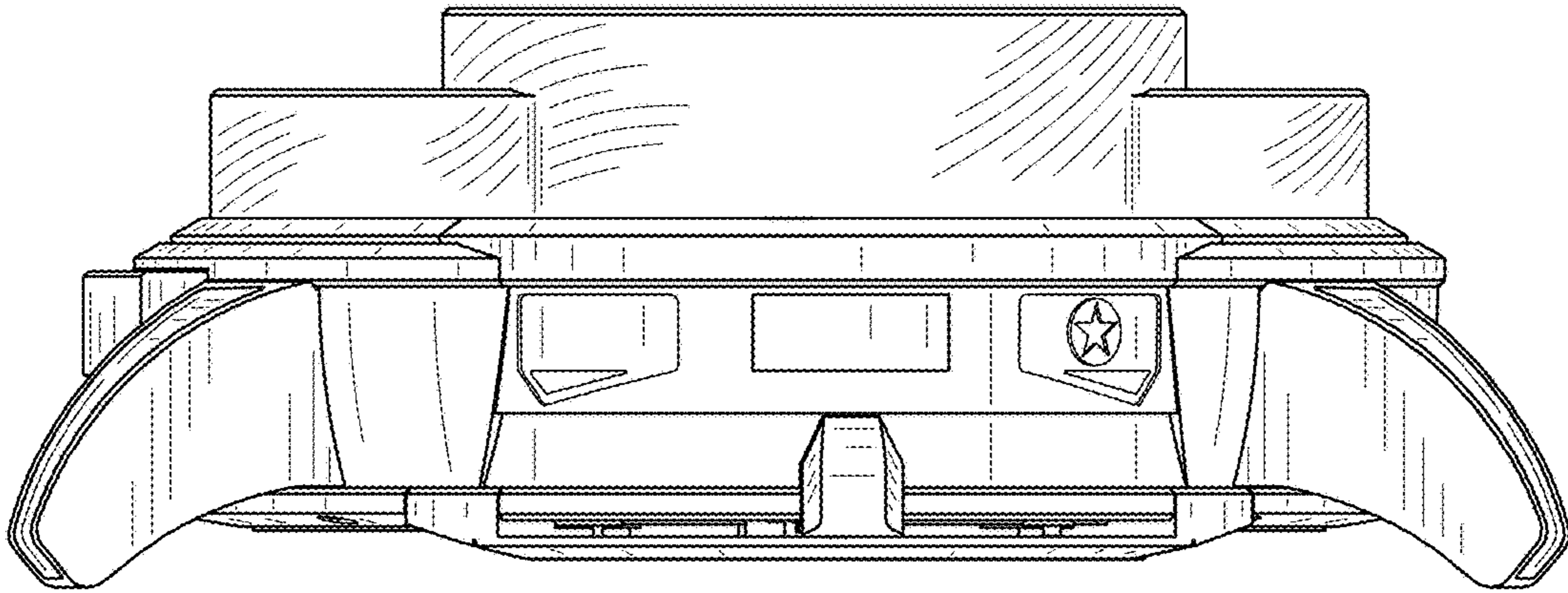


FIG. 4

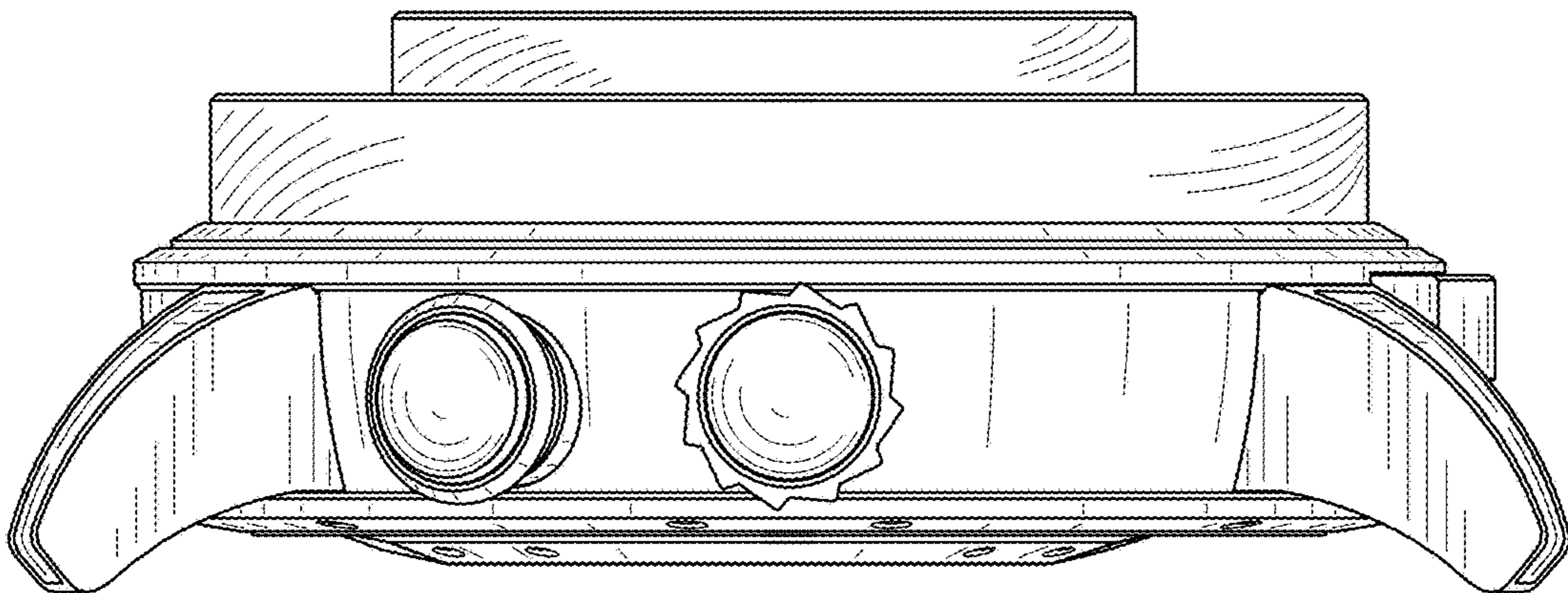


FIG. 5

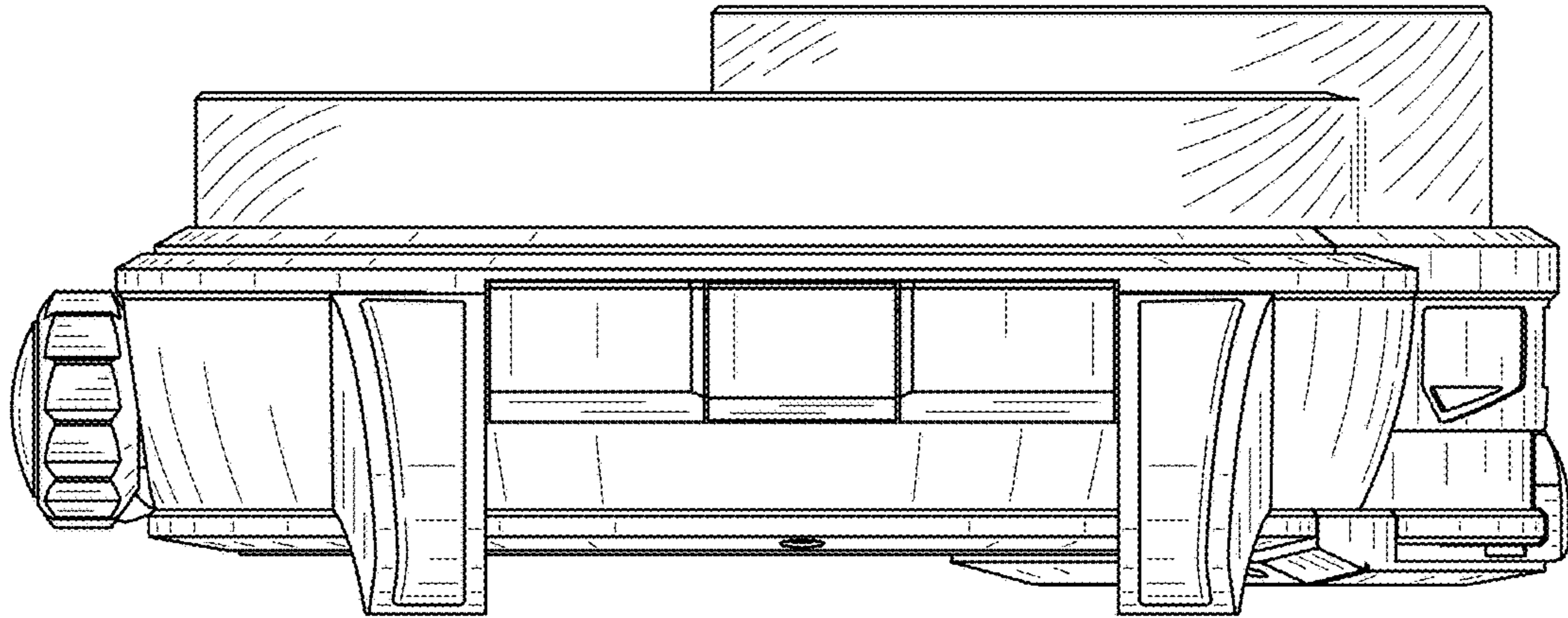


FIG. 6

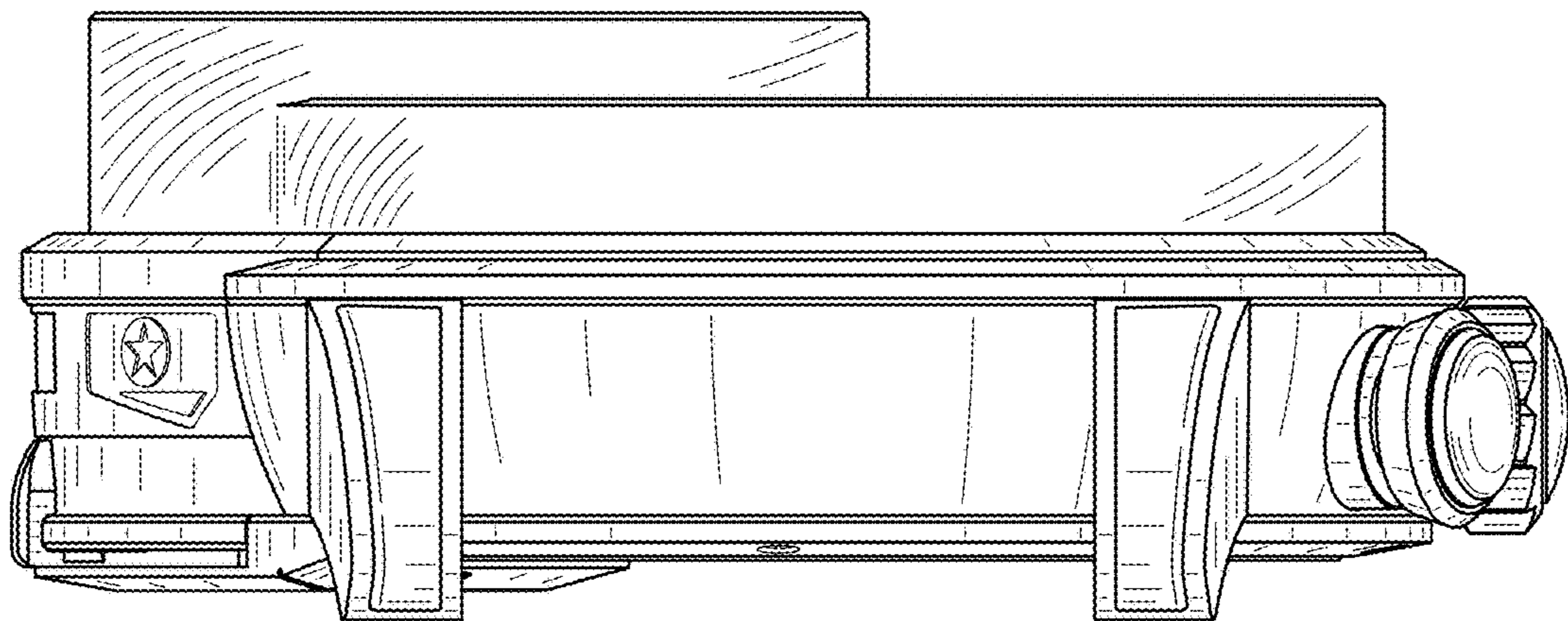


FIG. 7

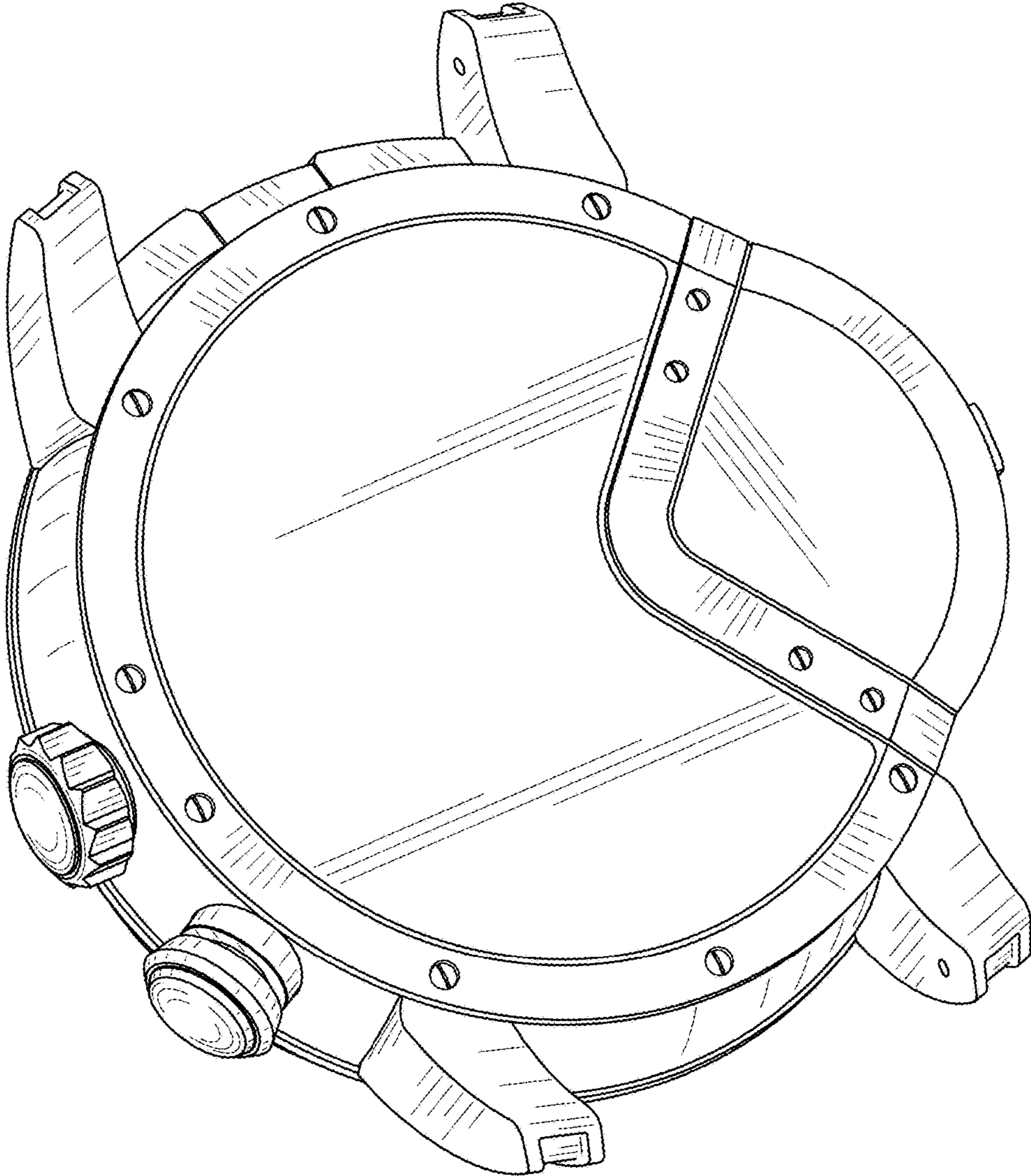


FIG. 8