



US00D772723S

(12) **United States Design Patent** (10) **Patent No.:** **US D772,723 S**
Murray (45) **Date of Patent:** **** Nov. 29, 2016**

(54) **FLEXIBLE POUCH**

(71) Applicant: **Pouch Pac Innovations, LLC**,
Sarasota, FL (US)

(72) Inventor: **R. Charles Murray**, Sarasota, FL (US)

(73) Assignee: **Pouch Pac Innovations, LLC**,
Sarasota, FL (US)

(**) Term: **14 Years**

(21) Appl. No.: **29/523,628**

(22) Filed: **Apr. 13, 2015**

(51) **LOC (10) Cl.** **09-05**

(52) **U.S. Cl.**
USPC **D9/707**

(58) **Field of Classification Search**
USPC D9/702-714, 443, 447, 499, 516-517,
D9/523, 524, 526, 528, 530, 719, 572;
D24/118, 207, 108; 383/6, 9, 22, 96,
383/61.1, 80-81, 104, 901, 63, 203, 107,
383/119-120, 123, 61.2, 44; 220/675,
220/495.03, 200, 288; 215/381-385, 400,
215/328, 316, 200, 217; 206/484; D3/202;
428/34.3, 35.2; 222/92, 215, 95, 107;
604/408, 403, 415
CPC B65D 35/00; B65D 35/08; B65D 11/00;
B65D 11/04; B65D 1/00; B65D 1/02; B65D
1/023; B65D 1/32; B65D 33/00; B65D
33/02; B65D 33/04; B65D 33/24

See application file for complete search history.

(56) **References Cited**

U.S. PATENT DOCUMENTS

D504,323 S *	4/2005	Berman	D9/708
D557,614 S *	12/2007	Murray	D9/708
D599,676 S *	9/2009	Friebe	D9/708
D604,636 S *	11/2009	McMorris	D9/708
D626,088 S	10/2010	Luo et al.	
D686,088 S *	7/2013	Murray	D9/708
D724,954 S *	3/2015	Niggemyer	D9/708
D727,748 S *	4/2015	Murray	D9/710
D742,749 S *	11/2015	Murray	D9/439
D744,352 S *	12/2015	Quarles	D9/707

* cited by examiner

Primary Examiner — Abraham Bahta

(74) *Attorney, Agent, or Firm* — Dinsmore & Shohl LLP

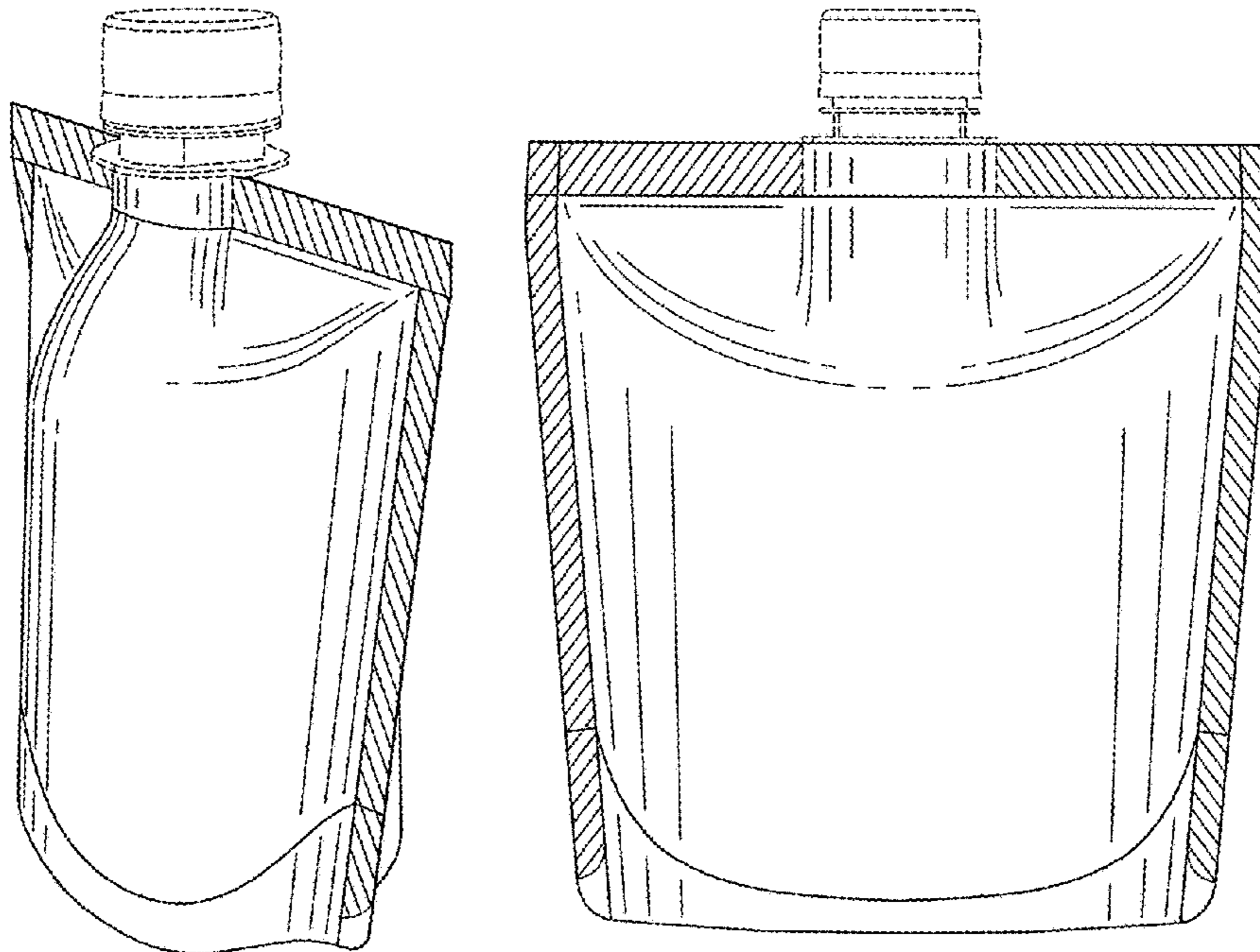
(57) **CLAIM**

The ornamental design for a flexible pouch, as shown and described.

DESCRIPTION

FIG. 1 is a side and perspective view of the flexible pouch showing my new design;
 FIG. 2 is an elevational view of the front of the flexible pouch;
 FIG. 3 is an elevational view of the side of the flexible pouch;
 FIG. 4 is a plan top view of the flexible pouch; and,
 FIG. 5 is plan bottom view of the flexible pouch.
 It should be appreciated that the broken lines are merely illustrative of the environment of the design, and not part of the claimed design.

1 Claim, 2 Drawing Sheets



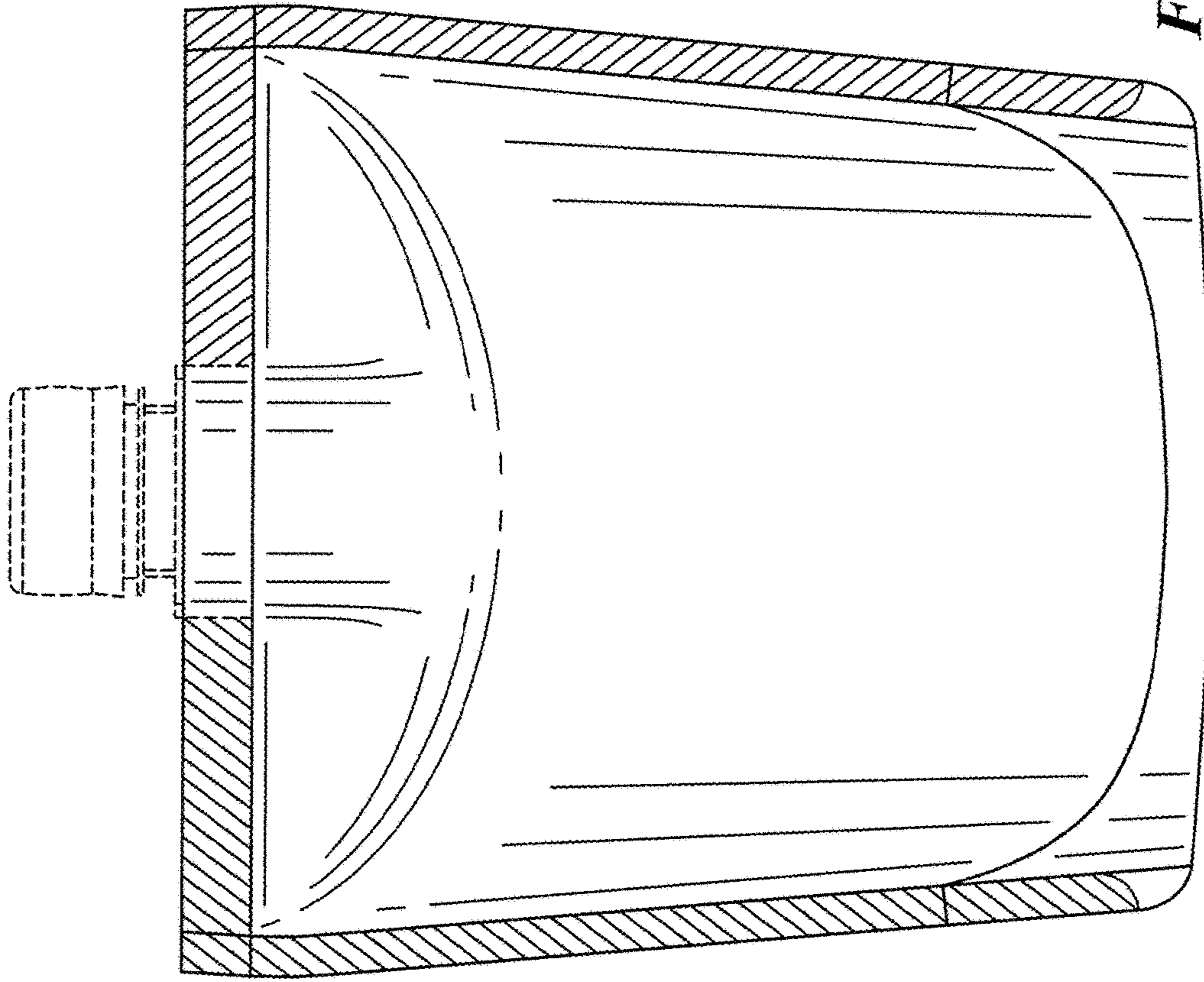


FIG. 1

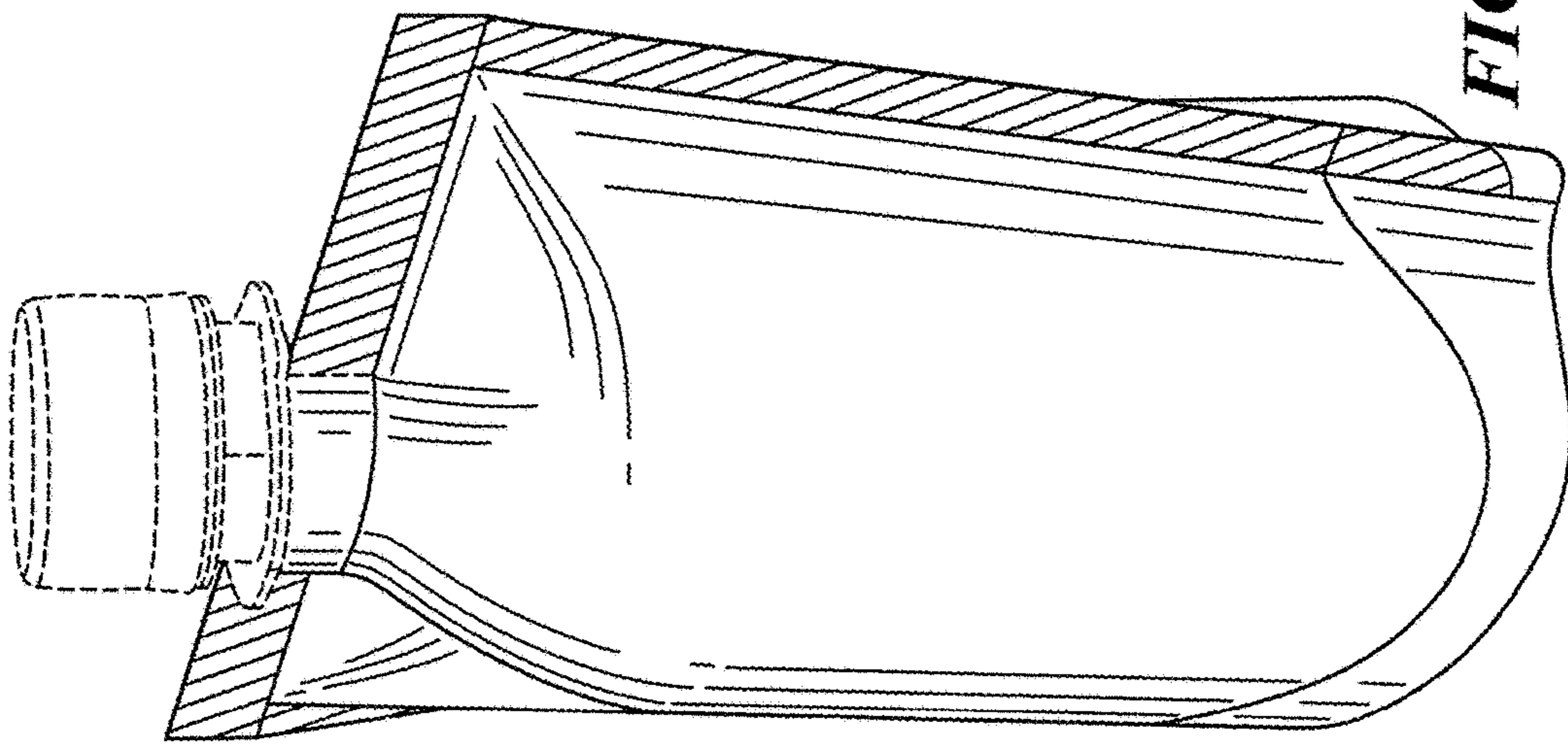


FIG. 2

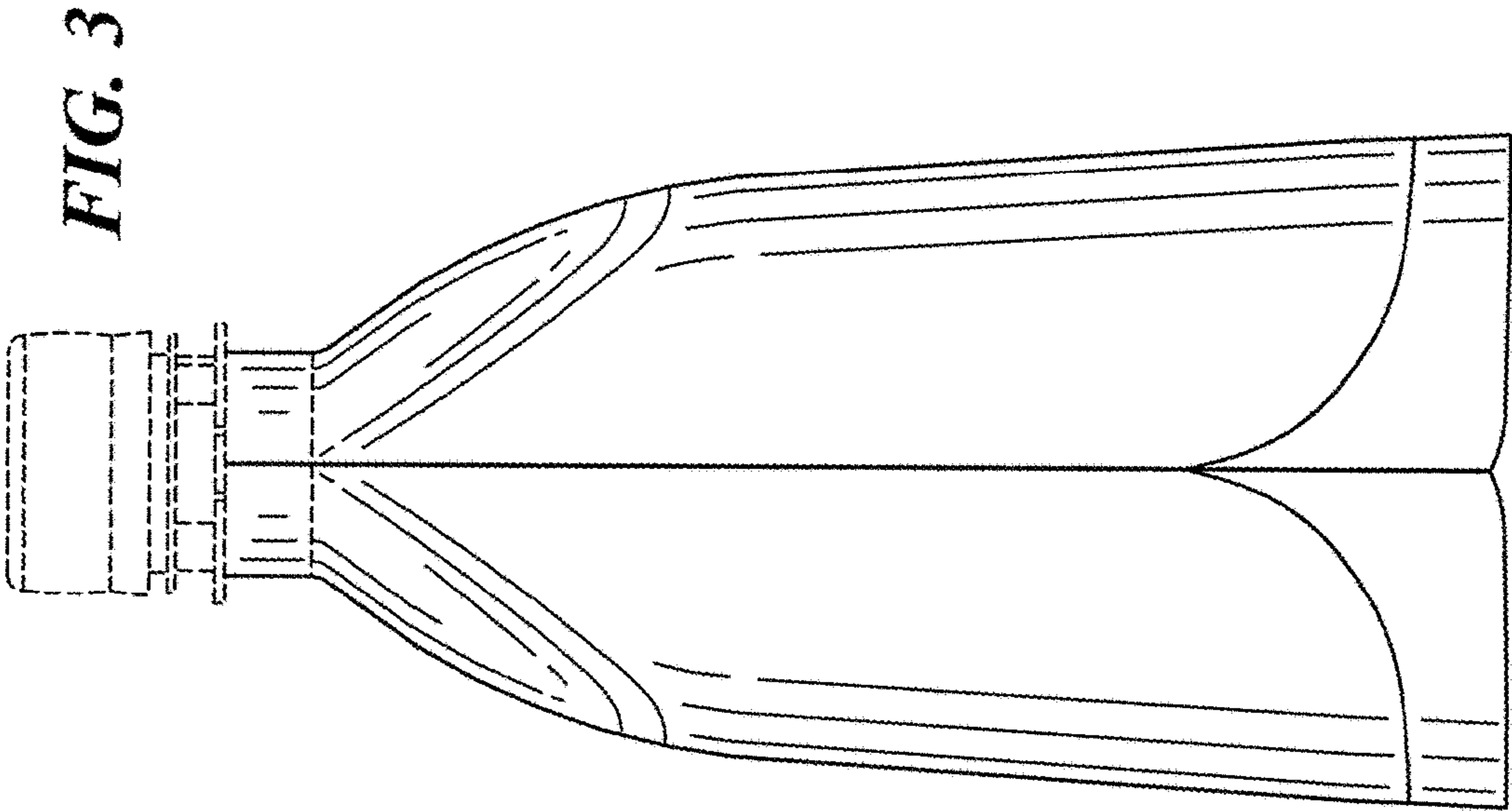


FIG. 3

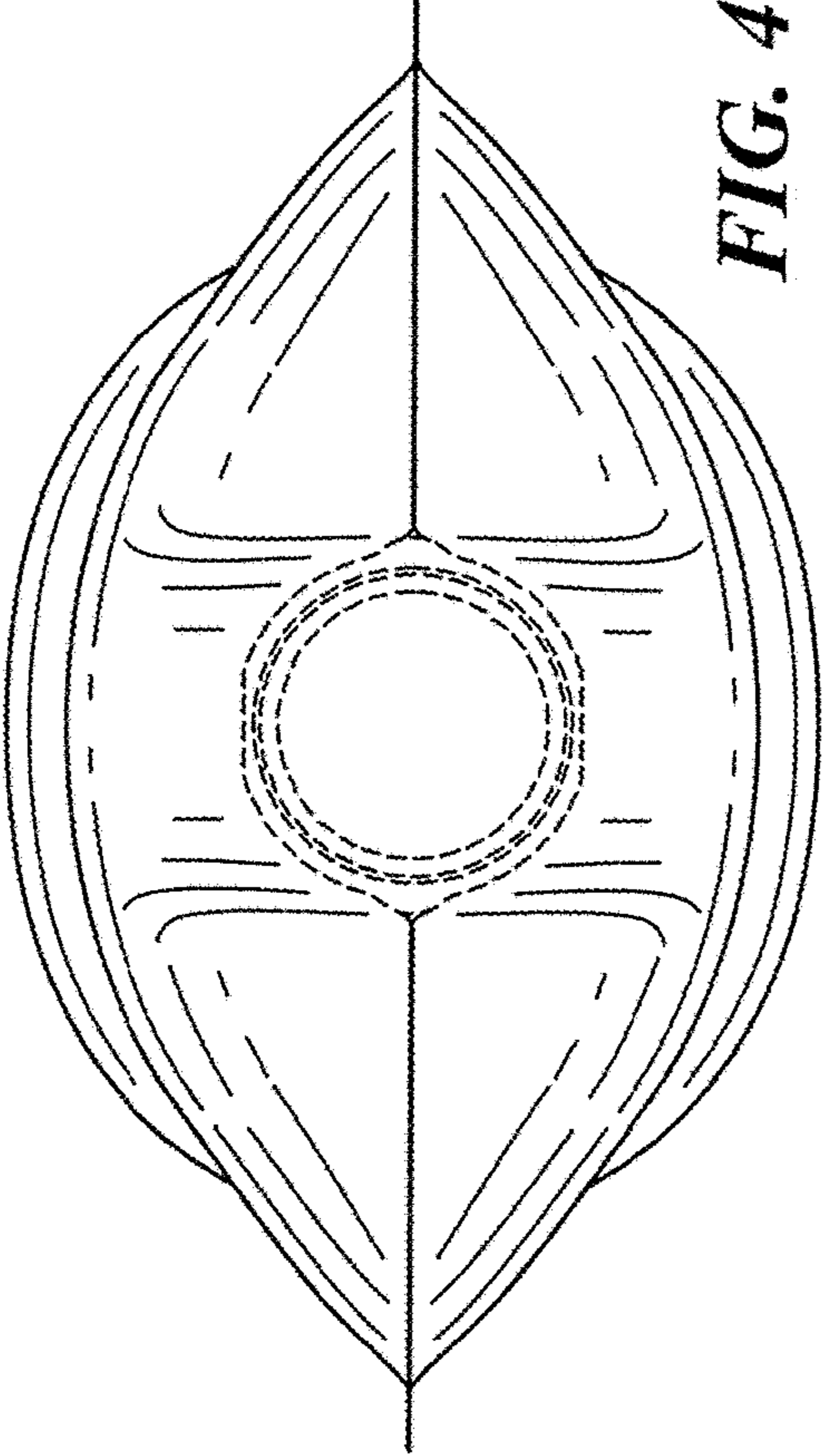


FIG. 4

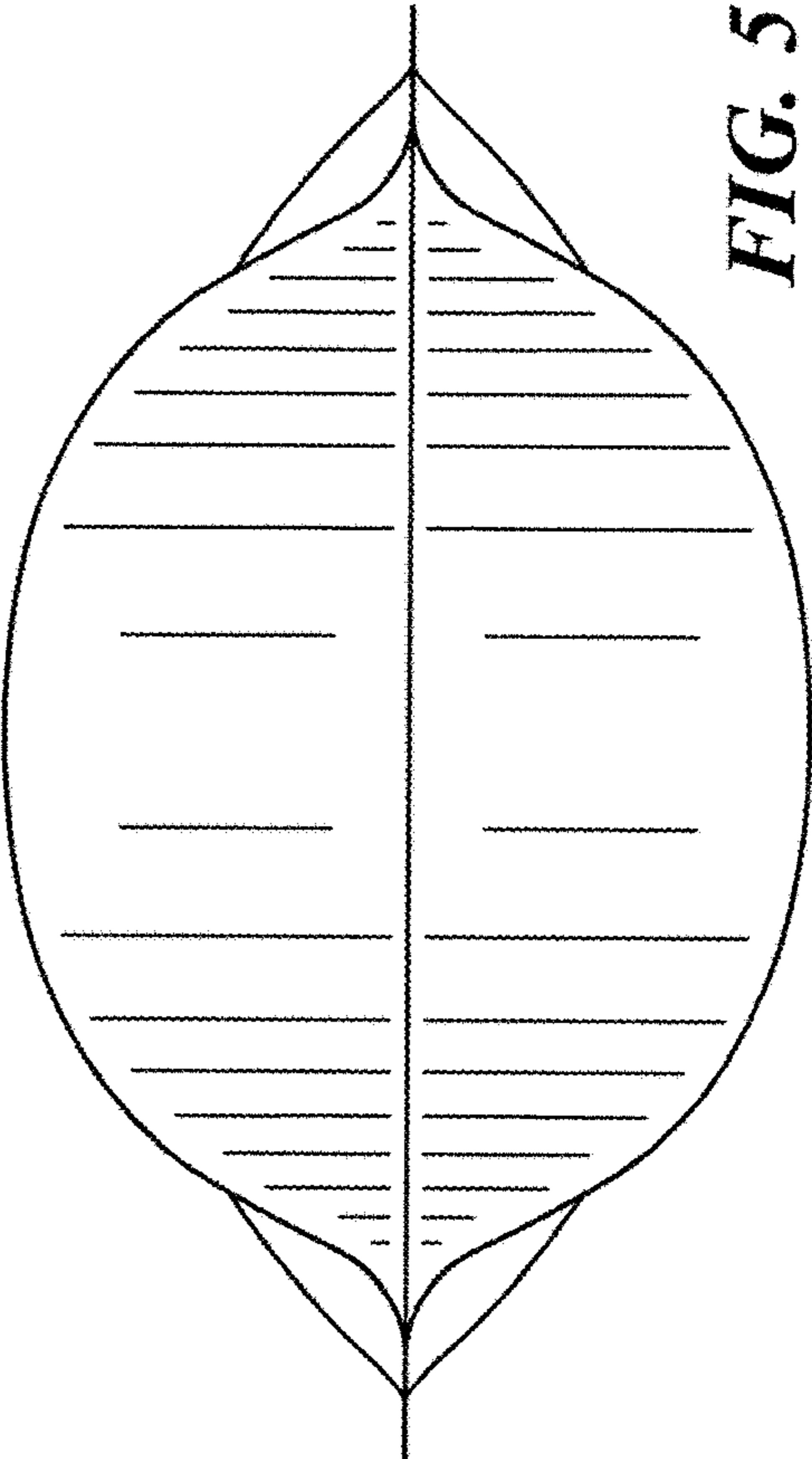


FIG. 5