



US00D772722S

(12) **United States Design Patent** (10) **Patent No.:** **US D772,722 S**
Kick (45) **Date of Patent:** **** Nov. 29, 2016**

(54) **CONTAINER**
(71) Applicant: **Merrilee Kick**, Carrollton, TX (US)
(72) Inventor: **Merrilee Kick**, Carrollton, TX (US)
(**) Term: **15 Years**
(21) Appl. No.: **29/529,731**
(22) Filed: **Jun. 10, 2015**
(51) **LOC (10) Cl.** **09-01**
(52) **U.S. Cl.**
USPC **D9/668**; D9/551; D9/519
(58) **Field of Classification Search**
USPC D9/600, 668, 500-505, 516, 519, 549,
D9/551; 206/457, 494, 459.5, 527, 540;
229/116.1; 446/77; 215/381-384, 400;
D7/514-516, 539, 544, 571, 579, 604,
D7/613, 619.2, 628-630, 391-392.1;
D3/270-271.3
CPC B65D 67/00; B65D 81/36; B65D 81/60;
B65D 81/368; B65D 2203/00; B65D
2203/02; A63H 33/16
See application file for complete search history.

D400,400 S * 11/1998 Hurst D7/515
D596,489 S * 7/2009 Weiss D9/519
D648,217 S * 11/2011 Fahey D9/500
D704,567 S * 5/2014 Sanders D9/519
D705,077 S * 5/2014 Martin D9/500
D710,153 S * 8/2014 Marini D7/515
D711,247 S * 8/2014 Sanders D9/519
D721,585 S * 1/2015 Gonzalez Rodriguez D9/500

* cited by examiner

Primary Examiner — Sandra Morris
(74) *Attorney, Agent, or Firm* — Wilson Legal Group PC;
John T. Wilson; Ryan S. Prugh

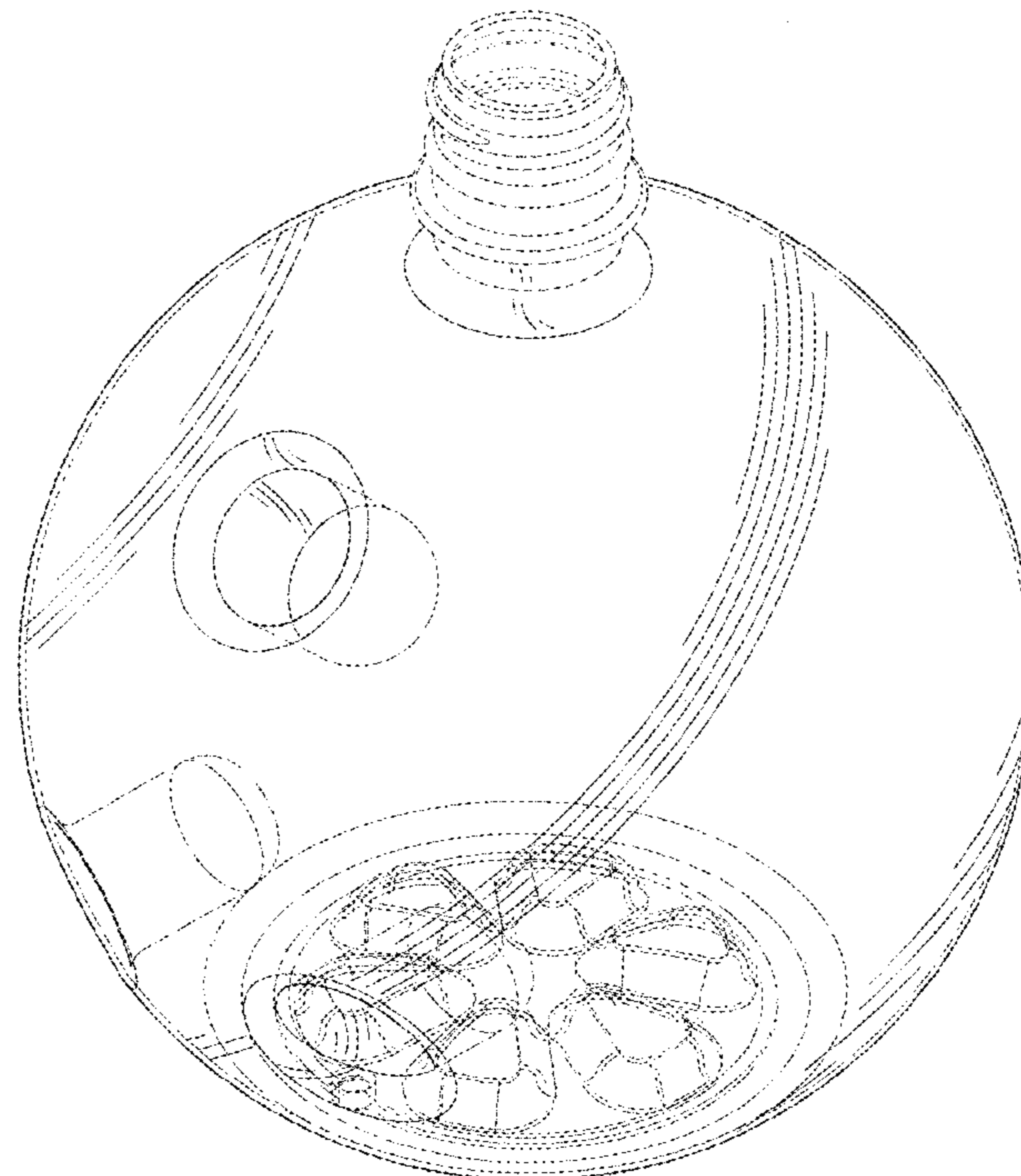
(57) **CLAIM**
The ornamental design for a container, as shown and described.

DESCRIPTION

FIG. 1 is a front elevation view of a container showing my new design;
FIG. 2 is a top perspective view thereof;
FIG. 3 is a rear elevation view thereof;
FIG. 4 is a left side elevation view thereof;
FIG. 5 is a right side elevation view thereof;
FIG. 6 is a bottom plan view thereof;
FIG. 7 is an alternative bottom plan view thereof; and,
FIG. 8 is a left rear perspective view thereof.
The broken lines shown are included for the purpose of illustrating portions of the container that form no part of the claim.

(56) **References Cited**
U.S. PATENT DOCUMENTS
D321,319 S * 11/1991 Giuseppe D9/519
D340,077 S * 10/1993 Turner D7/515

1 Claim, 8 Drawing Sheets



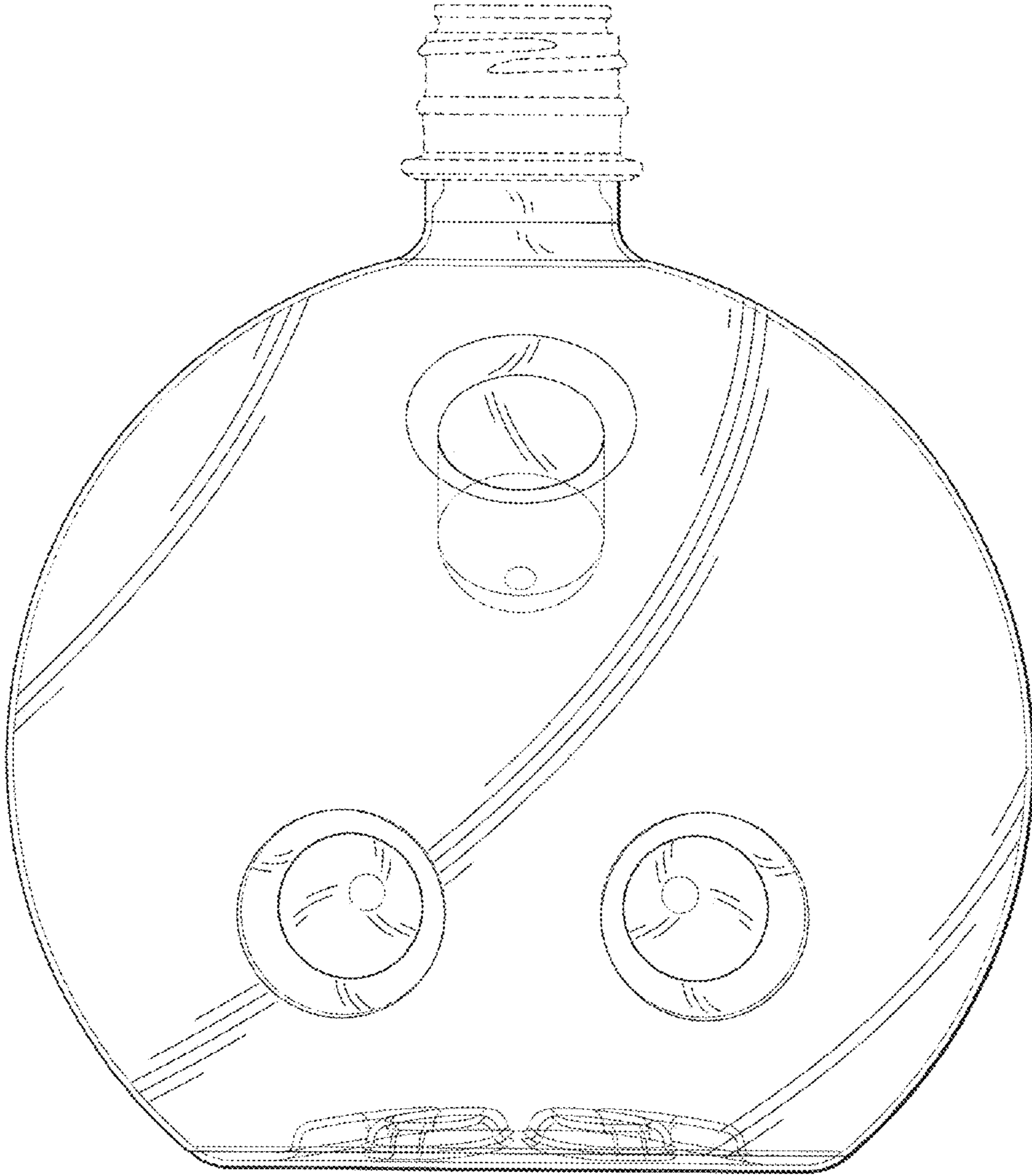


FIG. 1

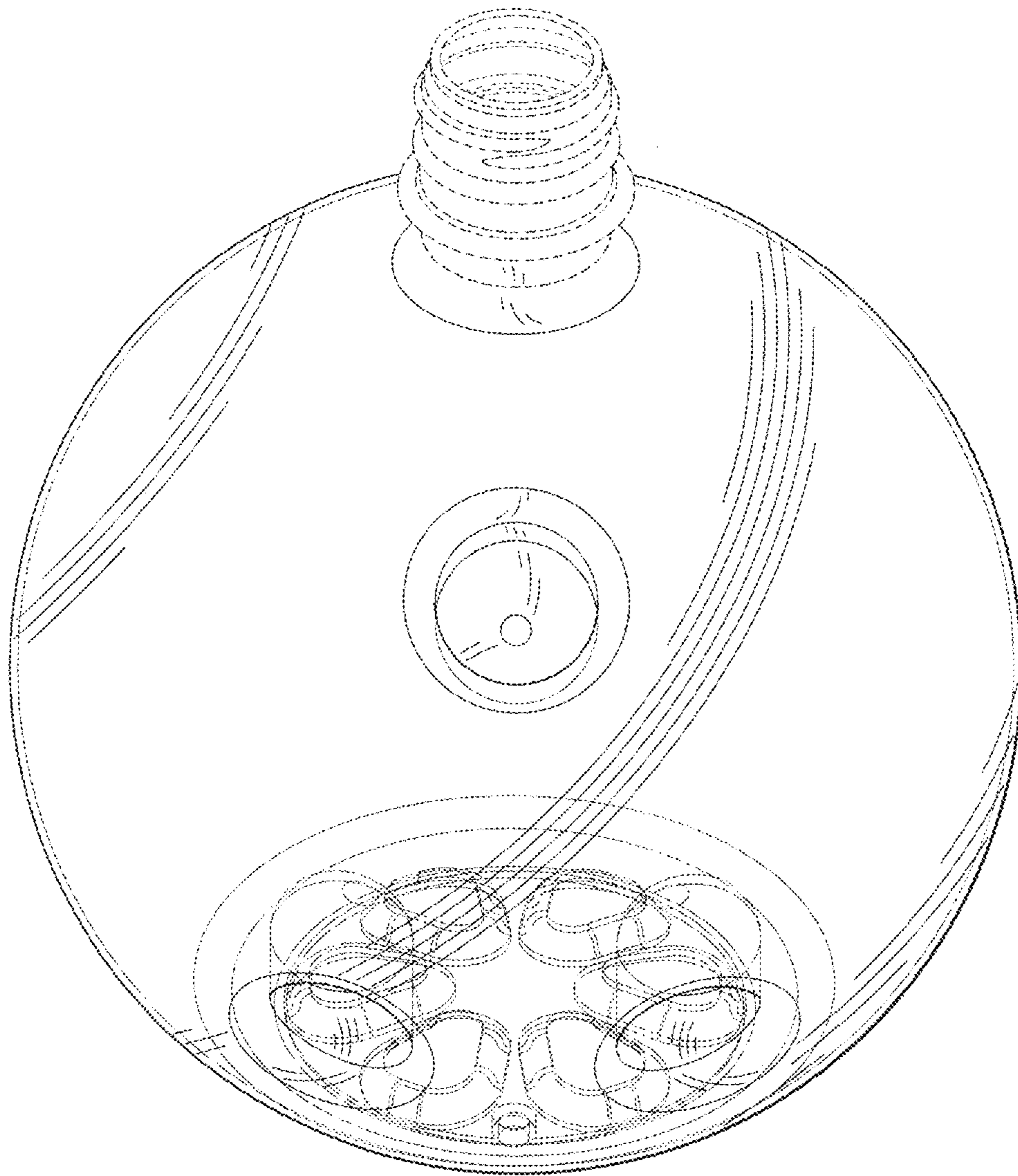


FIG. 2

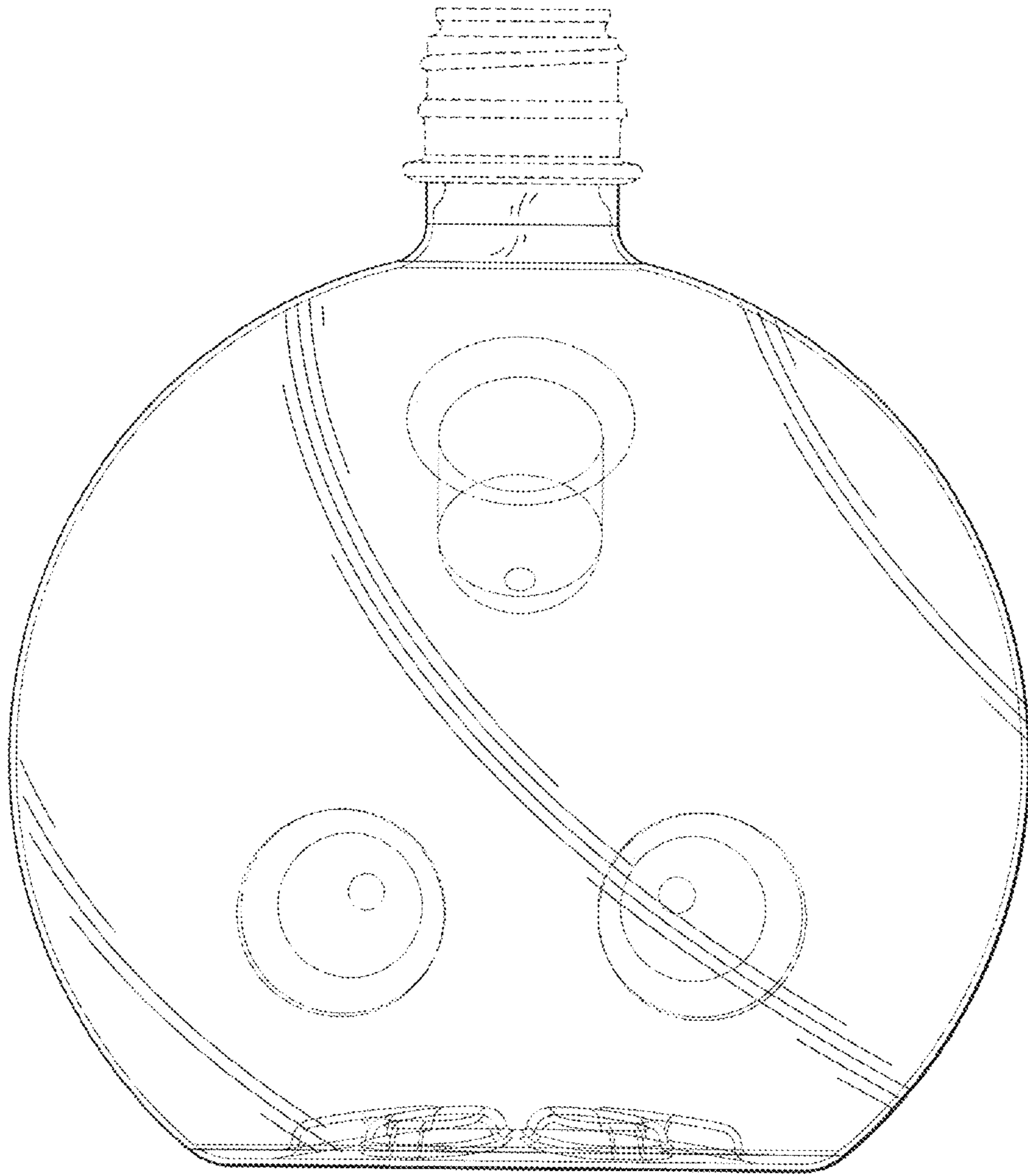


FIG. 3

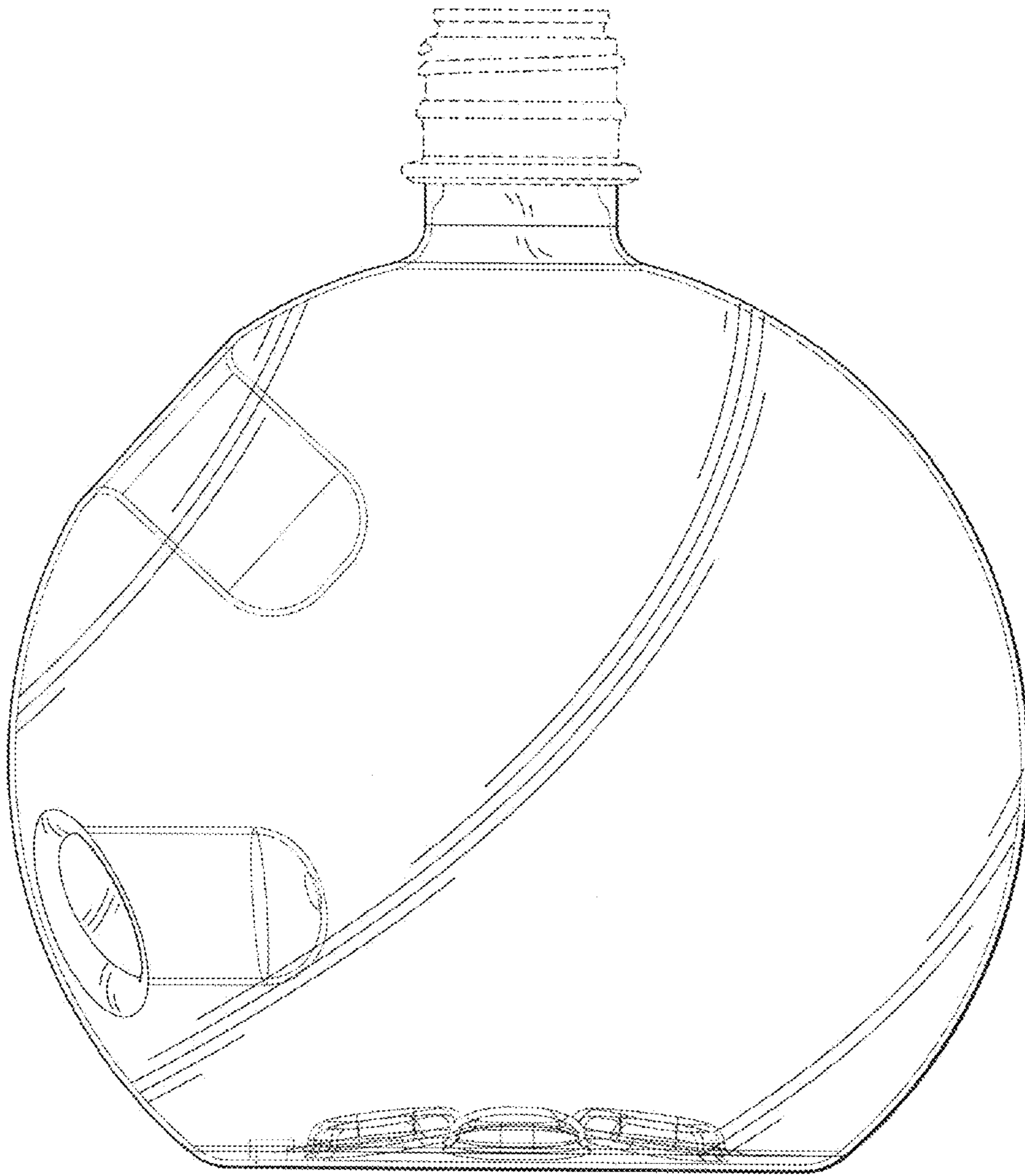


FIG. 4

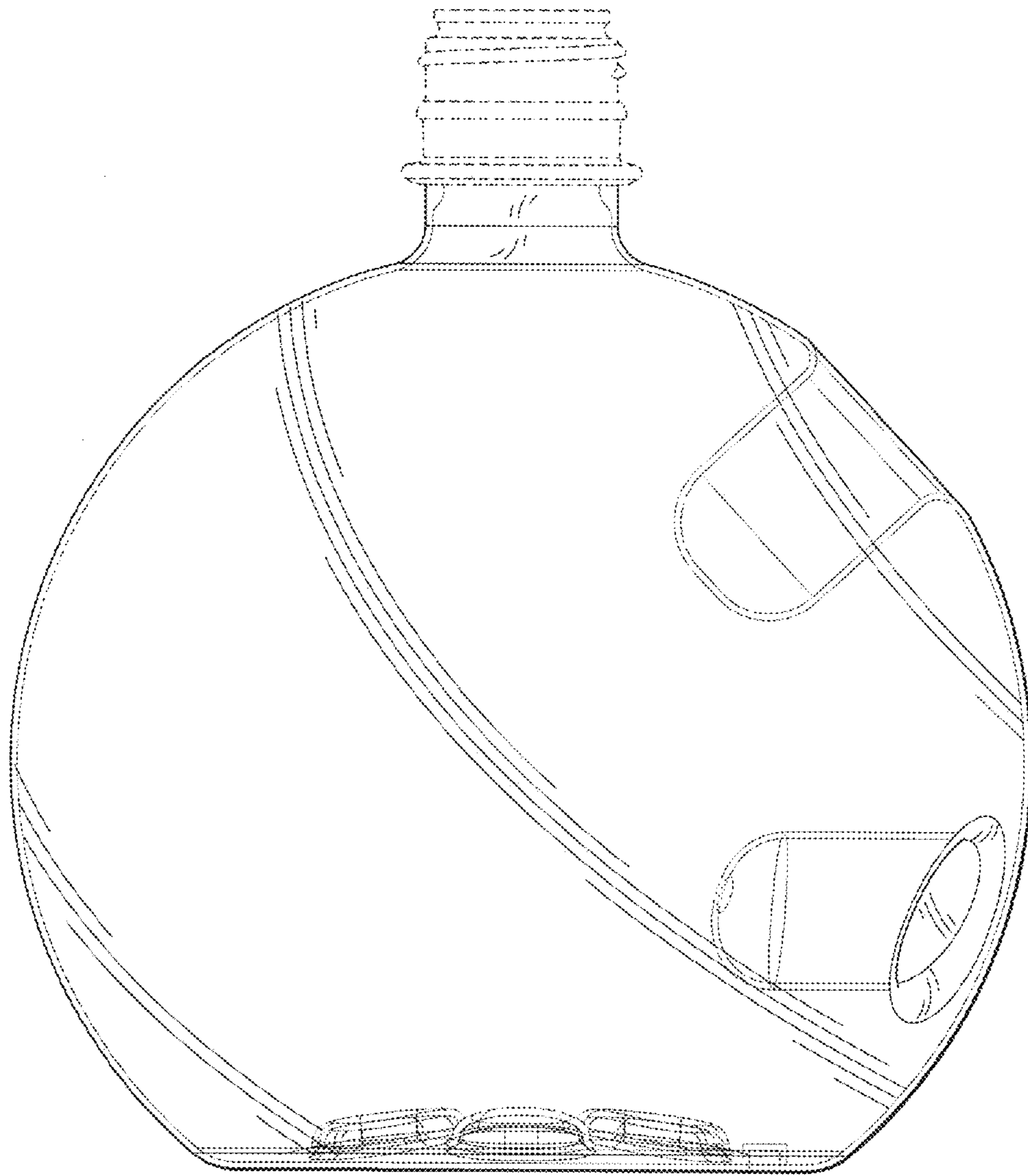


FIG. 5

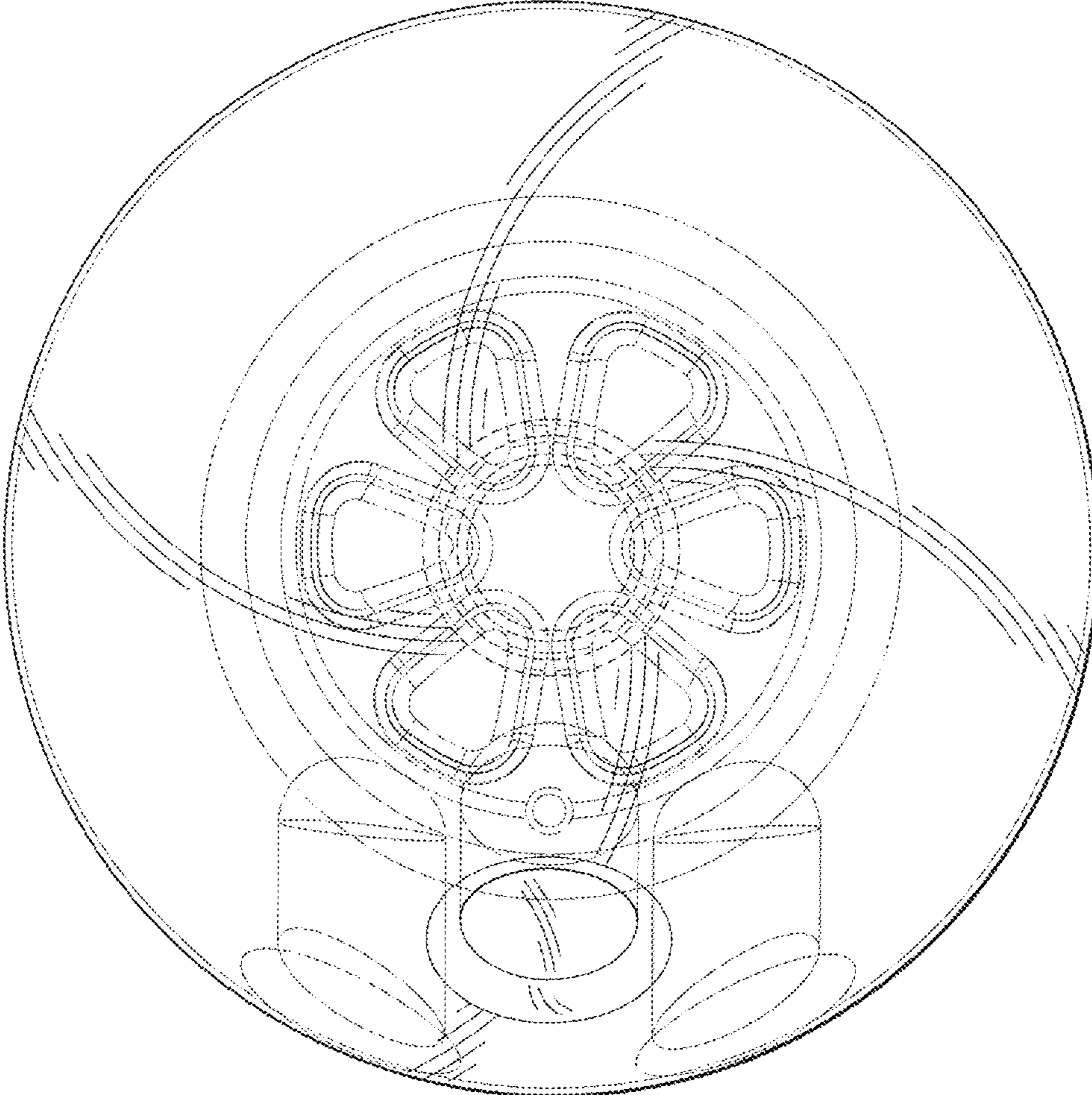


FIG. 6

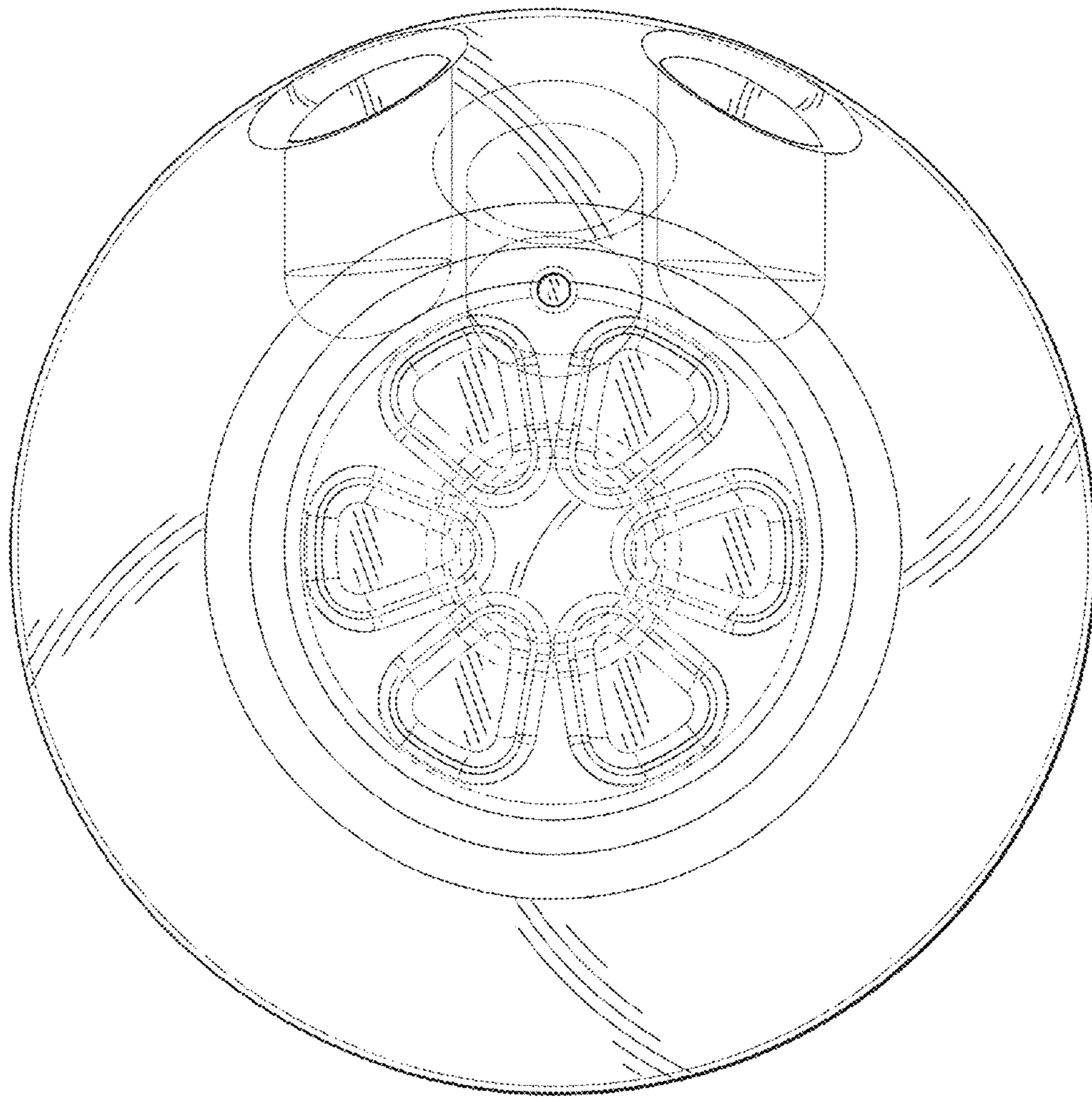


FIG. 7

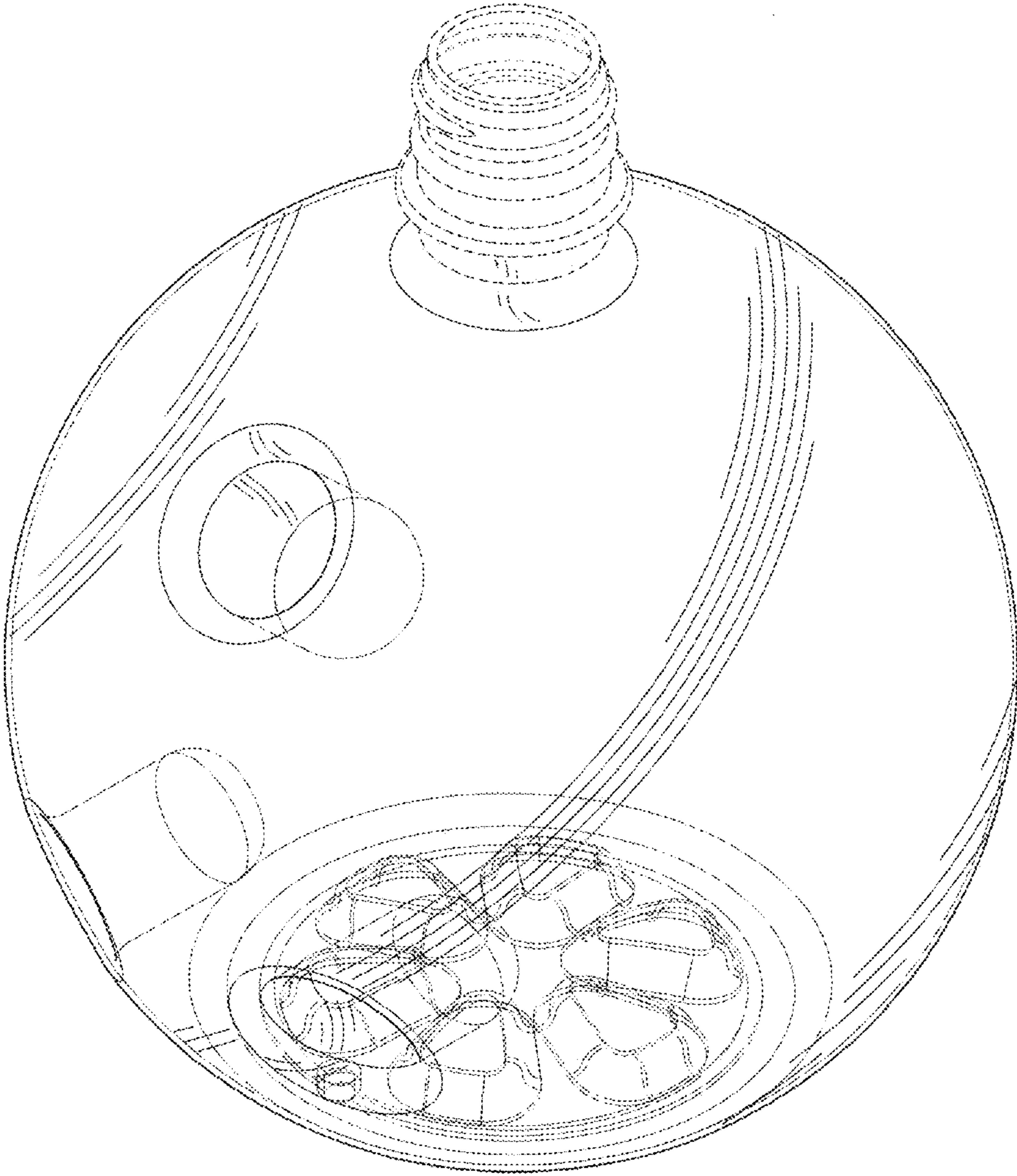


FIG. 8