



US00D772720S

(12) **United States Design Patent** (10) **Patent No.:** **US D772,720 S**
Chelvaratnam (45) **Date of Patent:** **** Nov. 29, 2016**

(54) **KOALA BOTTLE**
(71) Applicant: **Aquarush Pty Ltd**, Campbellfield,
Victoria (AU)
(72) Inventor: **Roshan Chelvaratnam**, Campbellfield
(AU)
(73) Assignee: **AQUARUSH PTY LTD.**,
Campbellfield, Victoria (AU)

D264,950 S * 6/1982 Santa-Eulalia
Carbajales D11/158
D295,773 S * 5/1988 Henn D21/604
D308,154 S * 5/1990 Tow D11/158
D401,141 S * 11/1998 Carroll D9/608
D416,481 S * 11/1999 Densmore D9/608
D463,716 S * 10/2002 Seater D9/608
D558,589 S * 1/2008 Vargas D9/608
D710,209 S * 8/2014 Flood D9/608
D712,272 S * 9/2014 Veletakos D9/601

* cited by examiner

(**) Term: **14 Years**

Primary Examiner — Sandra Morris

(21) Appl. No.: **29/525,325**

(74) *Attorney, Agent, or Firm* — John Alumit

(22) Filed: **Apr. 29, 2015**

(30) **Foreign Application Priority Data**

Oct. 30, 2014 (AU) 358739

(51) **LOC (10) Cl.** **09-01**

(52) **U.S. Cl.**
USPC **D9/608**

(58) **Field of Classification Search**
USPC D9/600–601, 607–613; 206/457, 494,
206/459.5, 527, 540; 229/116.1; 446/77;
215/381–384, 400; D7/514–516, 539,
D7/544, 571, 579, 604, 613, 619.2,
D7/628–630, 391–392.1; D3/270–271.3;
D21/604–605
CPC B65D 67/00; B65D 81/36; B65D 81/60;
B65D 81/368; B65D 2203/00; B65D
2203/02; A63H 33/16
See application file for complete search history.

(56) **References Cited**

U.S. PATENT DOCUMENTS

D166,995 S * 6/1952 Rachins D9/608
D192,390 S * 3/1962 Kolb D21/604

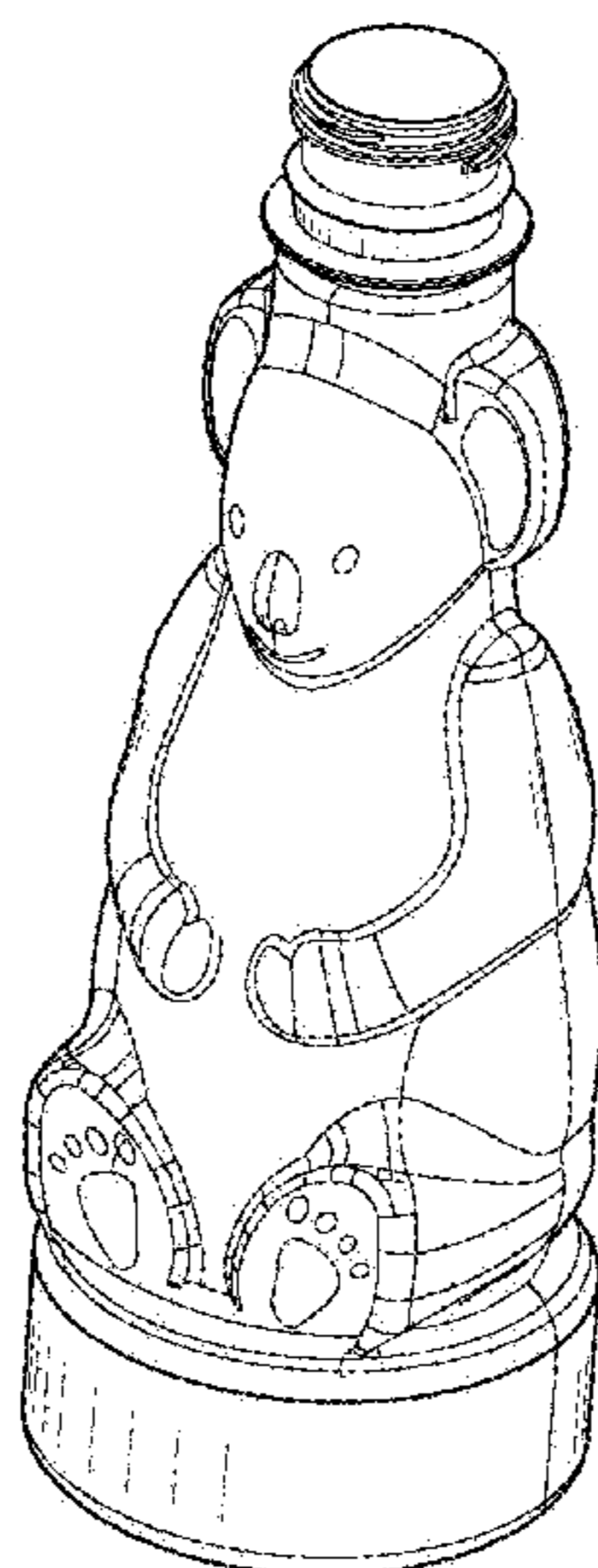
(57) **CLAIM**

I claim the ornamental design for a koala bottle, as shown and described herein.

DESCRIPTION

FIG. 1 is a front view of a koala bottle according to the new design.
FIG. 2 is a back view of the koala bottle according to the new design.
FIG. 3 is a left side view of the koala bottle according to the new design.
FIG. 4 is a top view of the koala bottle according to the new design.
FIG. 5 is a right side view of the koala bottle according to the new design.
FIG. 6 is a bottom view of the koala bottle according to the new design.
FIG. 7 is a front perspective view of the koala bottle according to the new design; and,
FIG. 8 is a rear perspective view of the koala bottle according to the new design.

1 Claim, 8 Drawing Sheets



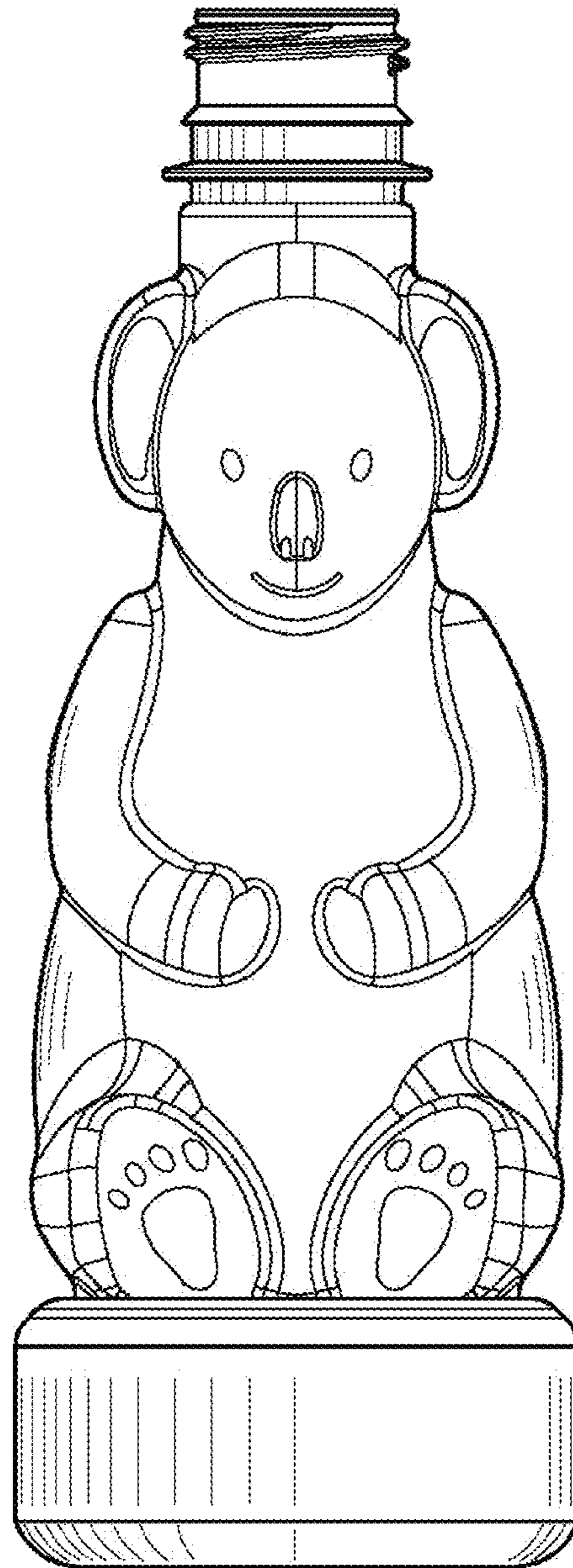


Fig. 1

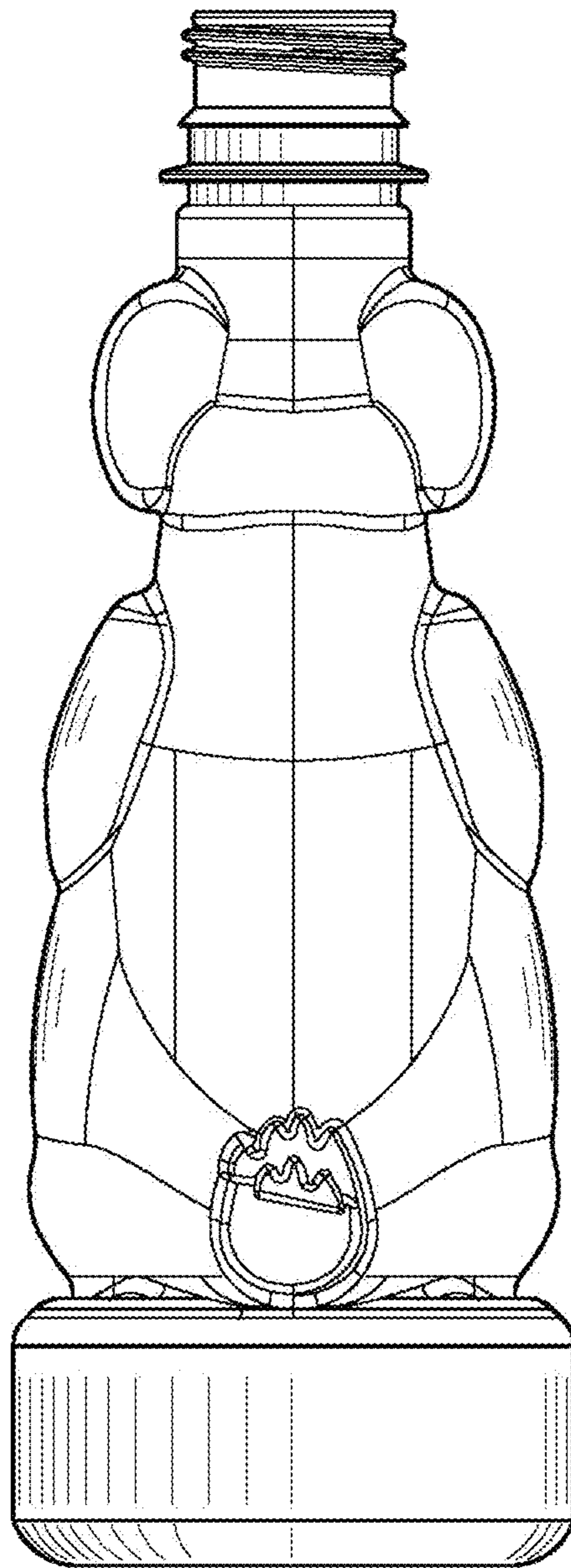


Fig.2

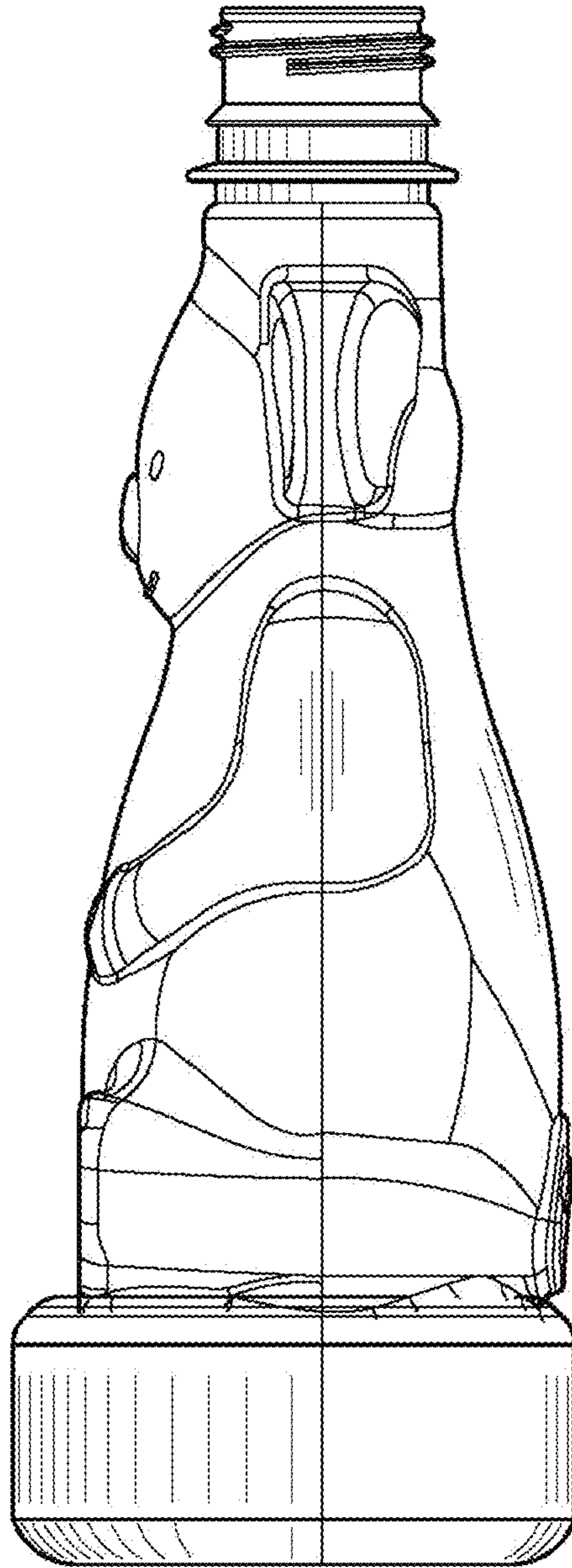


Fig.3

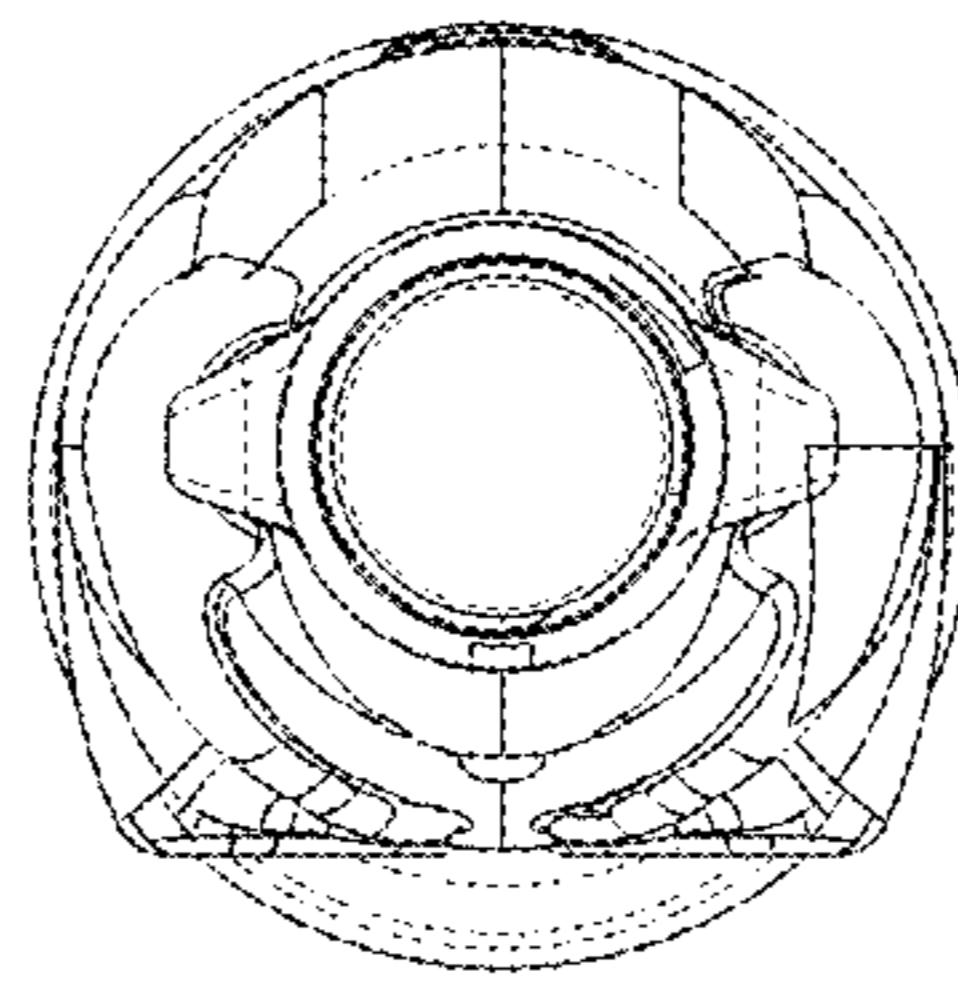


Fig. 4

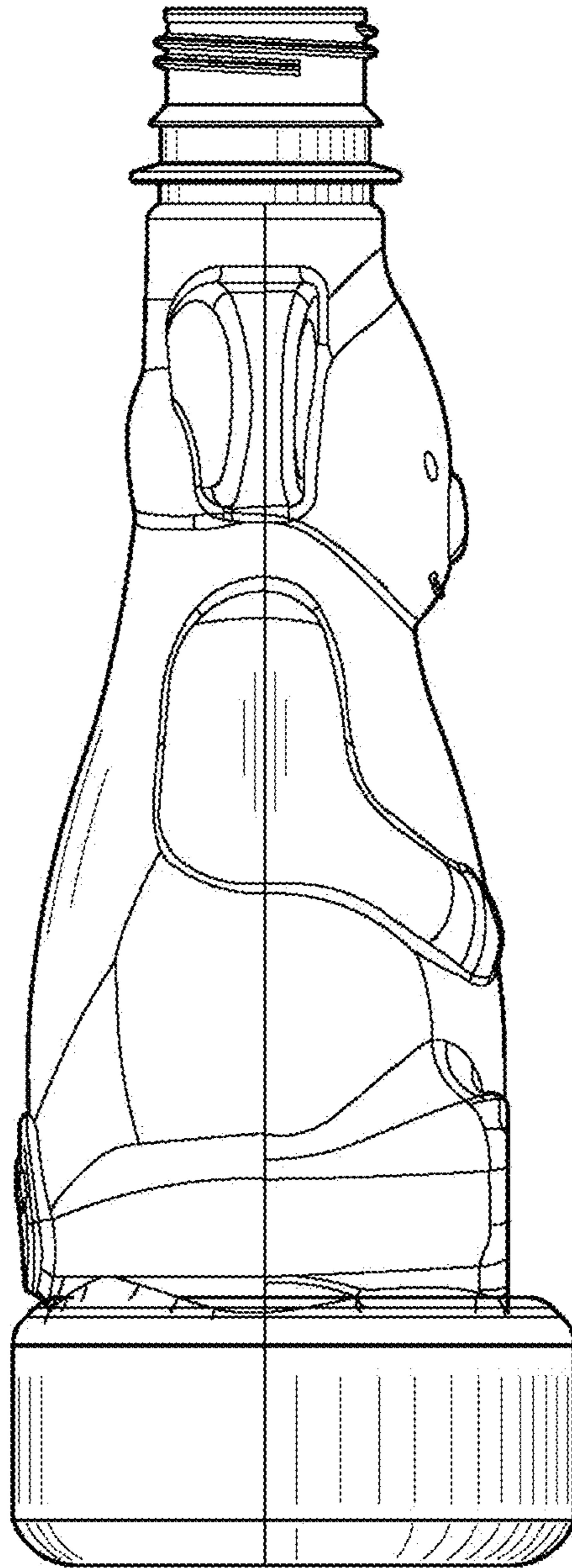


Fig.5

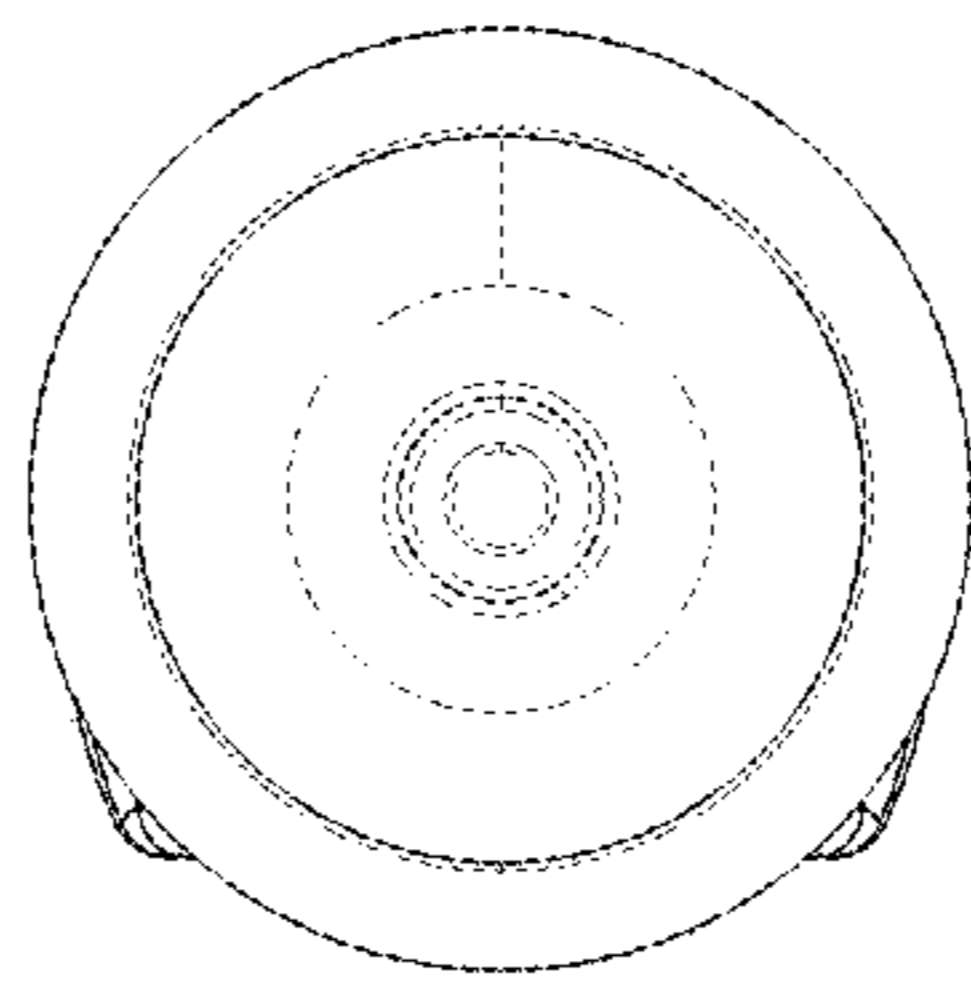


Fig. 6

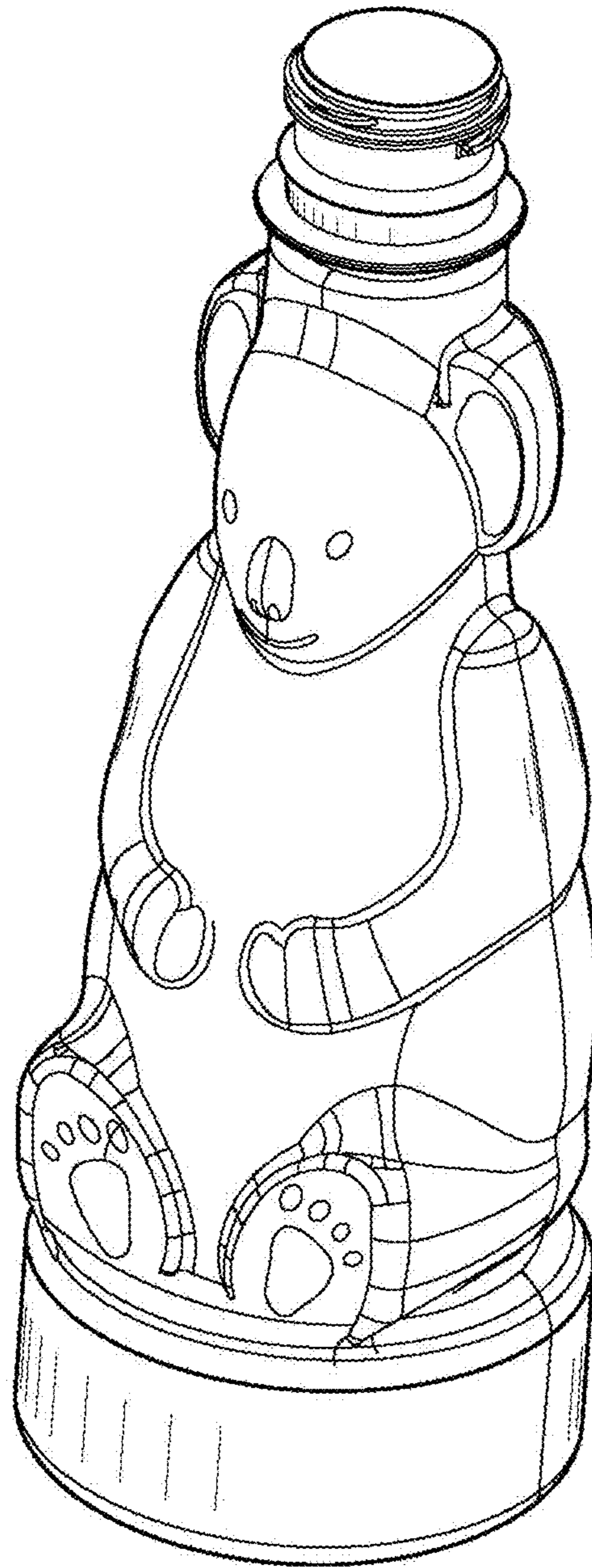


Fig. 7

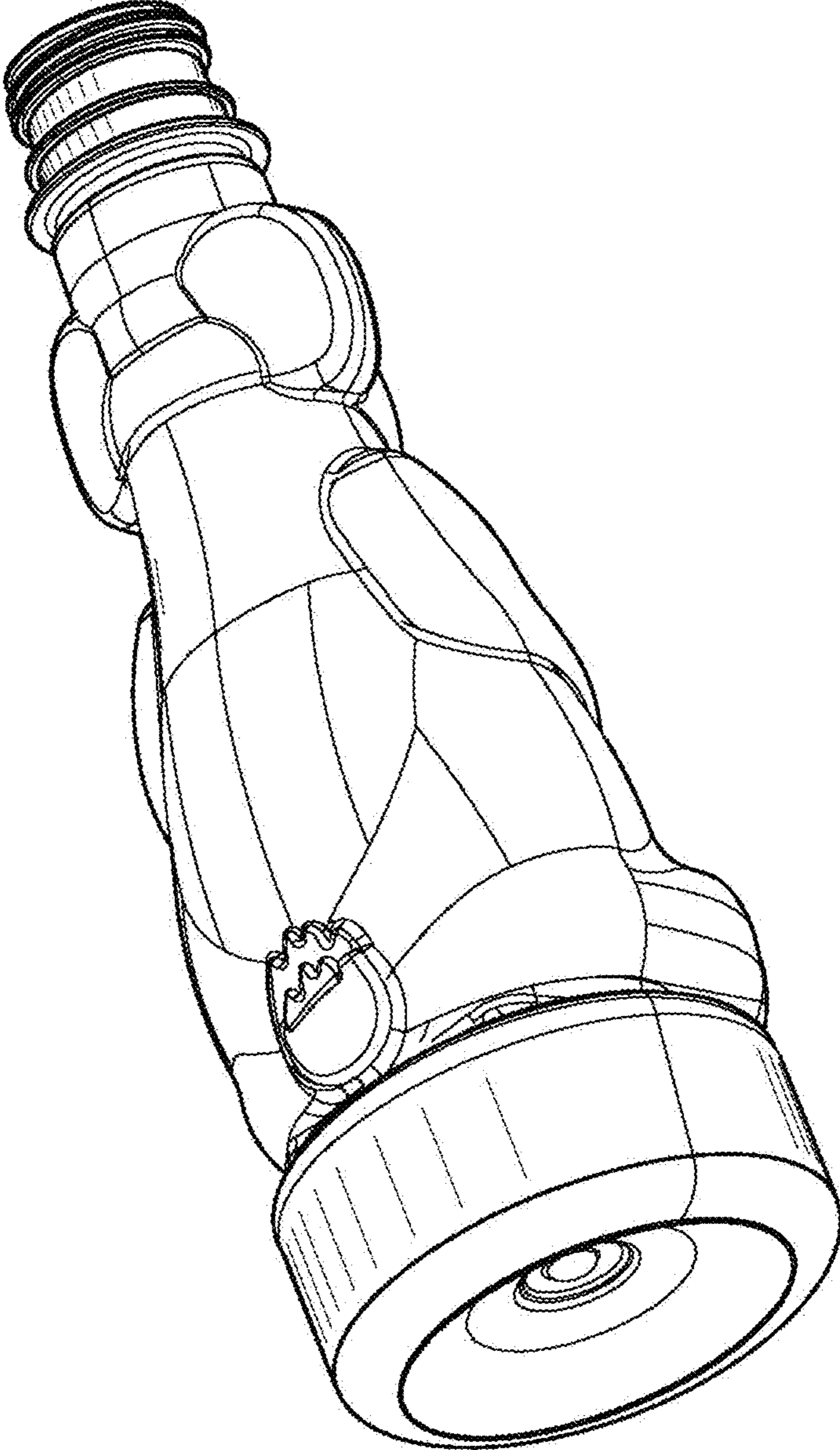


Fig.8