



US00D772715S

(12) **United States Design Patent** (10) **Patent No.:** **US D772,715 S**
Clemence et al. (45) **Date of Patent:** **** Nov. 29, 2016**

(54) **CONTAINER**
(71) Applicants: **Josh Clemence**, Covington, IN (US);
Noah Durham, Champaign, IL (US)
(72) Inventors: **Josh Clemence**, Covington, IN (US);
Noah Durham, Champaign, IL (US)
(73) Assignee: **ENVIROX, L.L.C.**, Danville, IL (US)
(**) Term: **14 Years**

D409,495 S 5/1999 Hartman et al.
D420,918 S 2/2000 Hefter et al.
D430,798 S 9/2000 Stevens et al.
D470,056 S * 2/2003 Schlueter D9/531
D472,151 S 3/2003 Warren et al.
D512,320 S * 12/2005 Haley D9/531
D518,731 S 4/2006 Yourist et al.
D529,809 S * 10/2006 Yourist D9/524
D545,681 S * 7/2007 Cardinal D9/528
D548,595 S 8/2007 Marasligiller et al.

(Continued)

(21) Appl. No.: **29/519,498**
(22) Filed: **Mar. 5, 2015**
(51) **LOC (10) Cl.** **09-01**
(52) **U.S. Cl.**
USPC **D9/522; D9/575**
(58) **Field of Classification Search**
USPC D9/527, 528, 530, 531, 536, 543, 563,
D9/572-574; 215/14, 214, 217, 223, 379,
215/382-385, 396, 398; 220/200, 890;
222/210, 212, 215
CPC .. B65D 1/0223; B65D 1/0284; B65D 23/10;
B65D 2501/0081; B65D 2203/02
See application file for complete search history.

OTHER PUBLICATIONS

Three Photographs of Container Provided by Applicant in use in the United States on or before Mar. 1, 2014 (Exhibit A).

Primary Examiner — Derrick Holland
Assistant Examiner — Janice Lim
(74) *Attorney, Agent, or Firm* — King & Partners, PLC

(57) **CLAIM**
The ornamental design for a container, as shown and described.

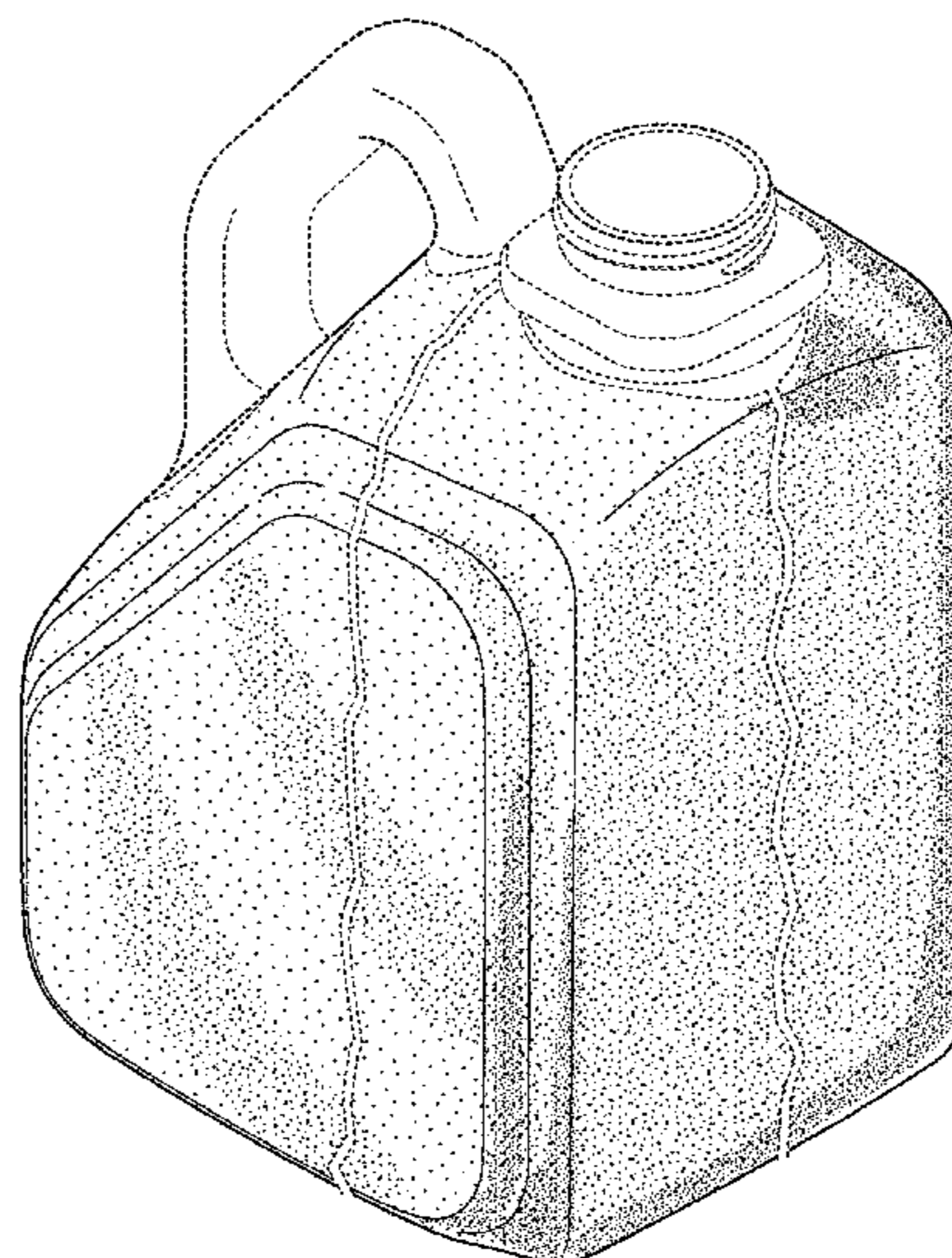
DESCRIPTION

FIG. 1 is a front perspective view of a container, showing our new design.
FIG. 2 is a left side view of the container of FIG. 1, and the right side view being a mirror image.
FIG. 3 is a front view of the container of FIG. 1.
FIG. 4 is a rear view of the container of FIG. 1.
FIG. 5 is a top plan view of the container of FIG. 1; and, FIG. 6 is a bottom plan view of the container of FIG. 1.
The broken line portions of FIGS. 1-6 are included to show unclaimed subject matter only and form no part of the claimed design.
The container has been shown with symbolic breaks. The appearance of any portion of the article between the break lines forms no part of the claimed design.

(56) **References Cited**
U.S. PATENT DOCUMENTS

D244,991 S 7/1977 Weckman et al.
D259,405 S 6/1981 Drummond
D259,541 S 6/1981 Halbeisen et al.
D309,420 S 7/1990 Beaver
D311,136 S 10/1990 Barker et al.
D313,350 S 1/1991 Beaver
D329,816 S 9/1992 Beaver et al.
D331,195 S 11/1992 Weckman
D335,454 S 5/1993 McLean et al.
D350,484 S 9/1994 Addis et al.
D363,667 S 10/1995 Baratta-Dragono et al.
D366,421 S 1/1996 Best
D402,553 S 12/1998 Webster et al.

1 Claim, 5 Drawing Sheets



(56)

References Cited

U.S. PATENT DOCUMENTS

D553,501 S	10/2007	Arnett et al.		D684,061 S	6/2013	Leslie et al.
D553,991 S	* 10/2007	Wachsberg	D9/528	D685,642 S	7/2013	Leslie et al.
D556,583 S	12/2007	Gurst et al.		D686,080 S	7/2013	Tomkins et al.
D569,731 S	* 5/2008	Yan	D9/528	D691,477 S	10/2013	Tomkins et al.
D571,217 S	6/2008	Bates et al.		D696,128 S	12/2013	Lindsay et al.
D573,884 S	7/2008	Crabtree et al.		D705,069 S	5/2014	Crisanti et al.
D579,778 S	11/2008	De Gopegui et al.		D714,647 S	10/2014	Kersten
D580,768 S	* 11/2008	Ferguson	D9/528	D716,146 S	10/2014	Palmatier et al.
D584,155 S	1/2009	Lorio		D721,587 S	1/2015	Bos et al.
D595,137 S	6/2009	Bates et al.		D723,927 S	3/2015	Fish et al.
D627,231 S	11/2010	Lee et al.		D724,435 S	3/2015	Kaufman et al.
D637,916 S	5/2011	McNabb et al.		D730,190 S	5/2015	Lindsay et al.
D643,297 S	8/2011	Lee et al.		D733,567 S	7/2015	Lindsay et al.
D651,907 S	1/2012	Dennis et al.		D736,637 S	8/2015	Castillo Higareda et al.
D656,401 S	* 3/2012	Hickey	D9/527	D739,247 S	9/2015	McDonnell
D661,193 S	6/2012	Merchant et al.		D739,749 S	9/2015	Bhattacharyya et al.
D683,628 S	6/2013	Claassen		D741,183 S	10/2015	Cannamela et al.
				D741,715 S	10/2015	Casscles et al.
				D743,806 S	11/2015	Lang et al.

* cited by examiner

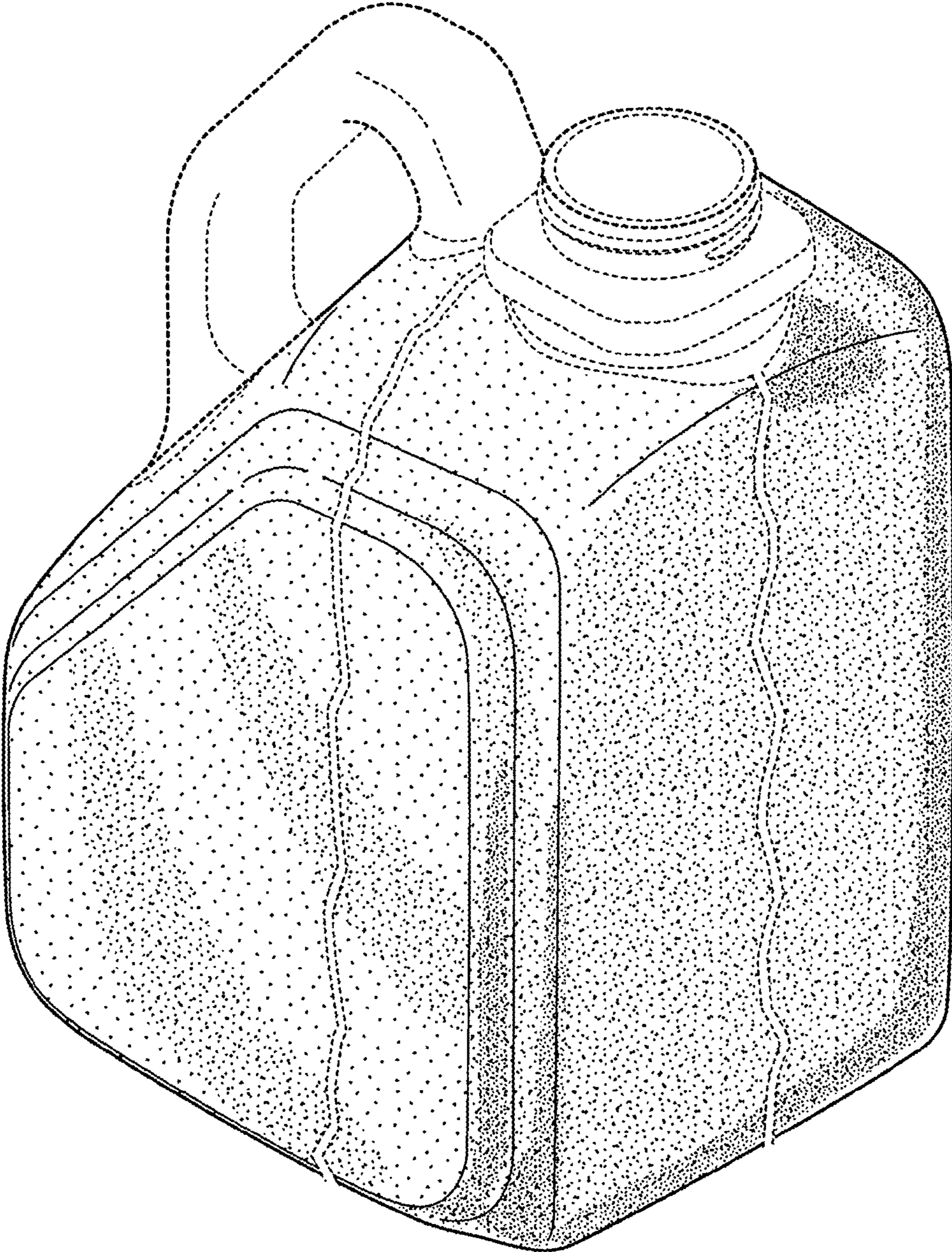


Figure 1

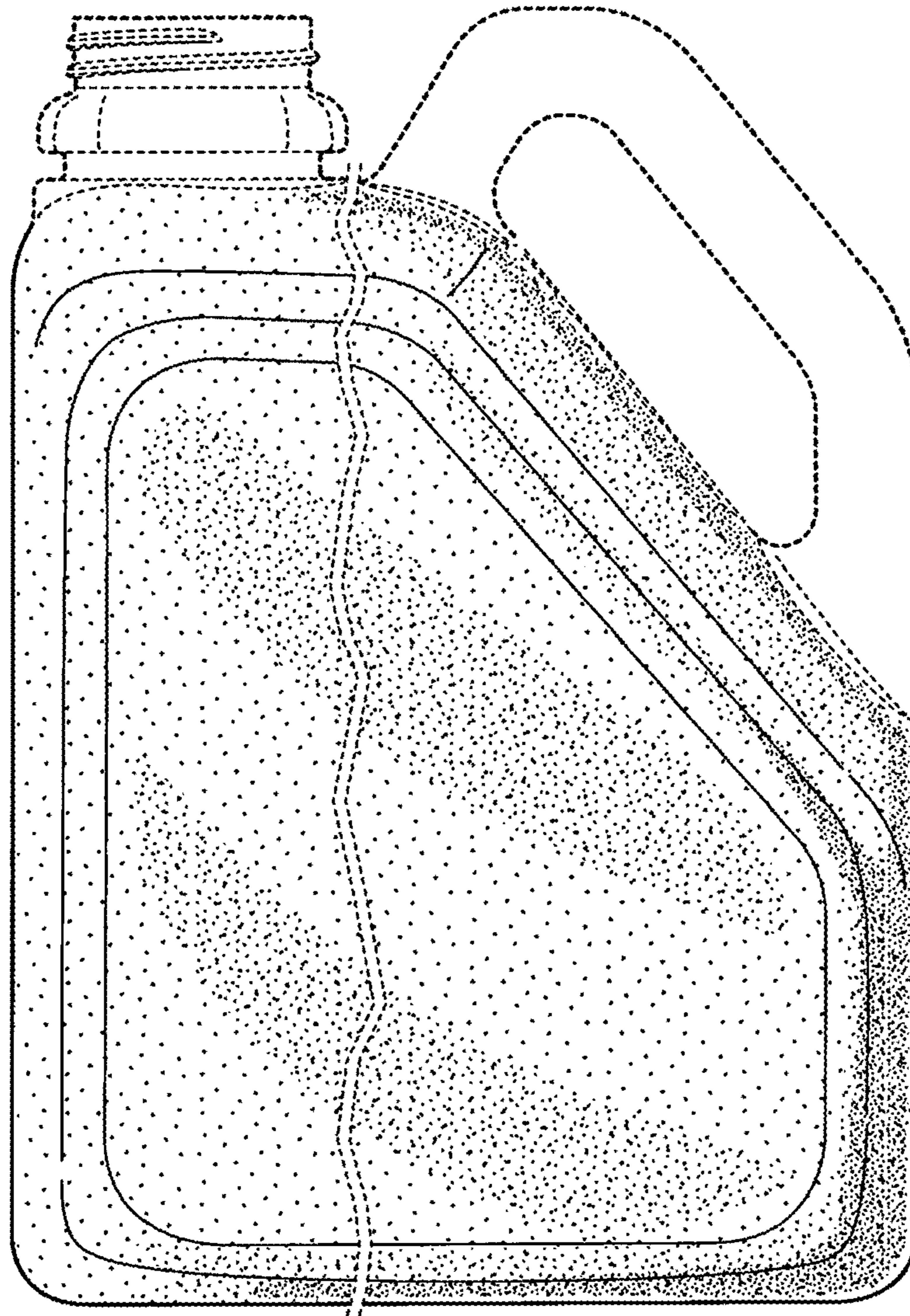


Figure 2

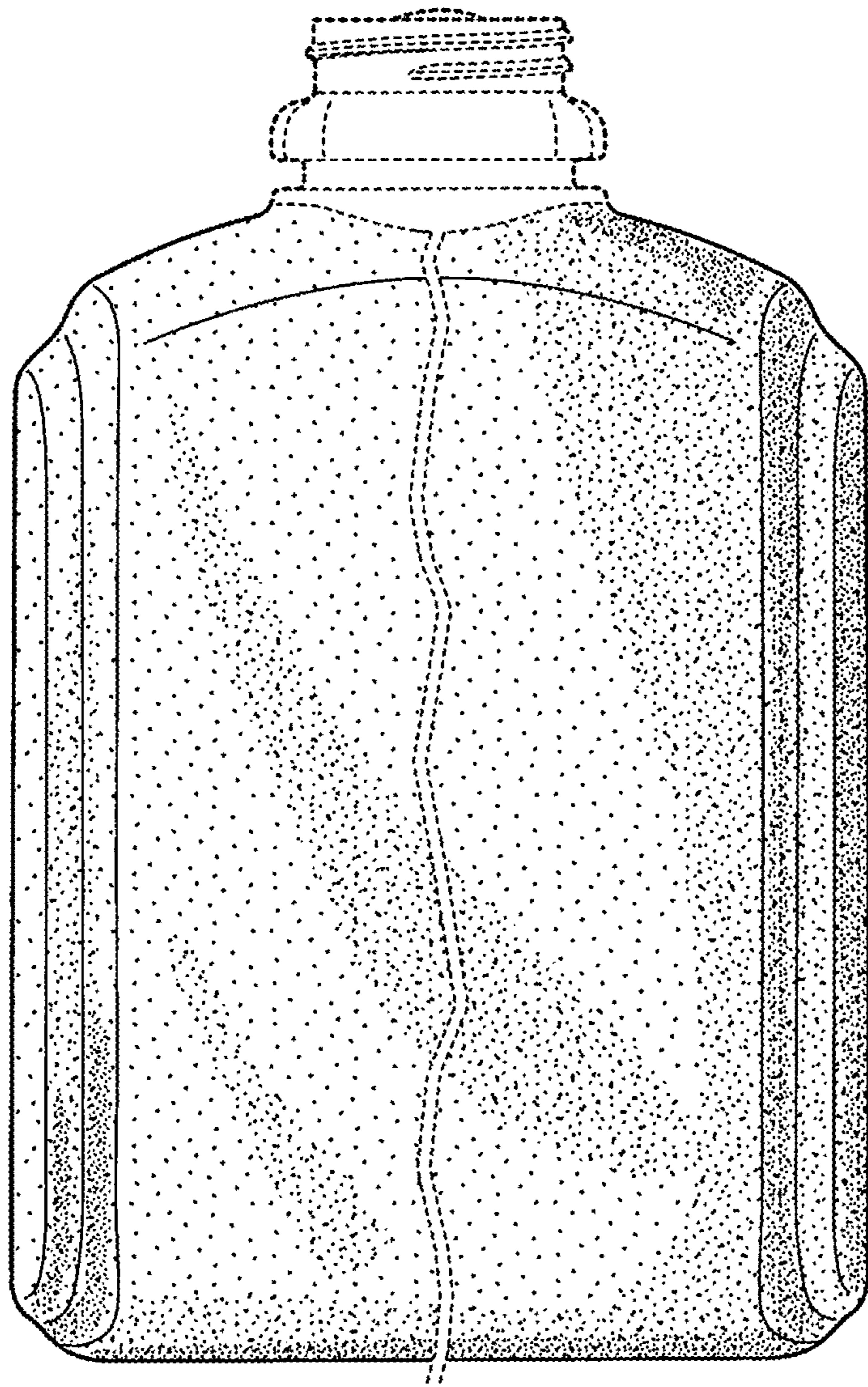


Figure 3

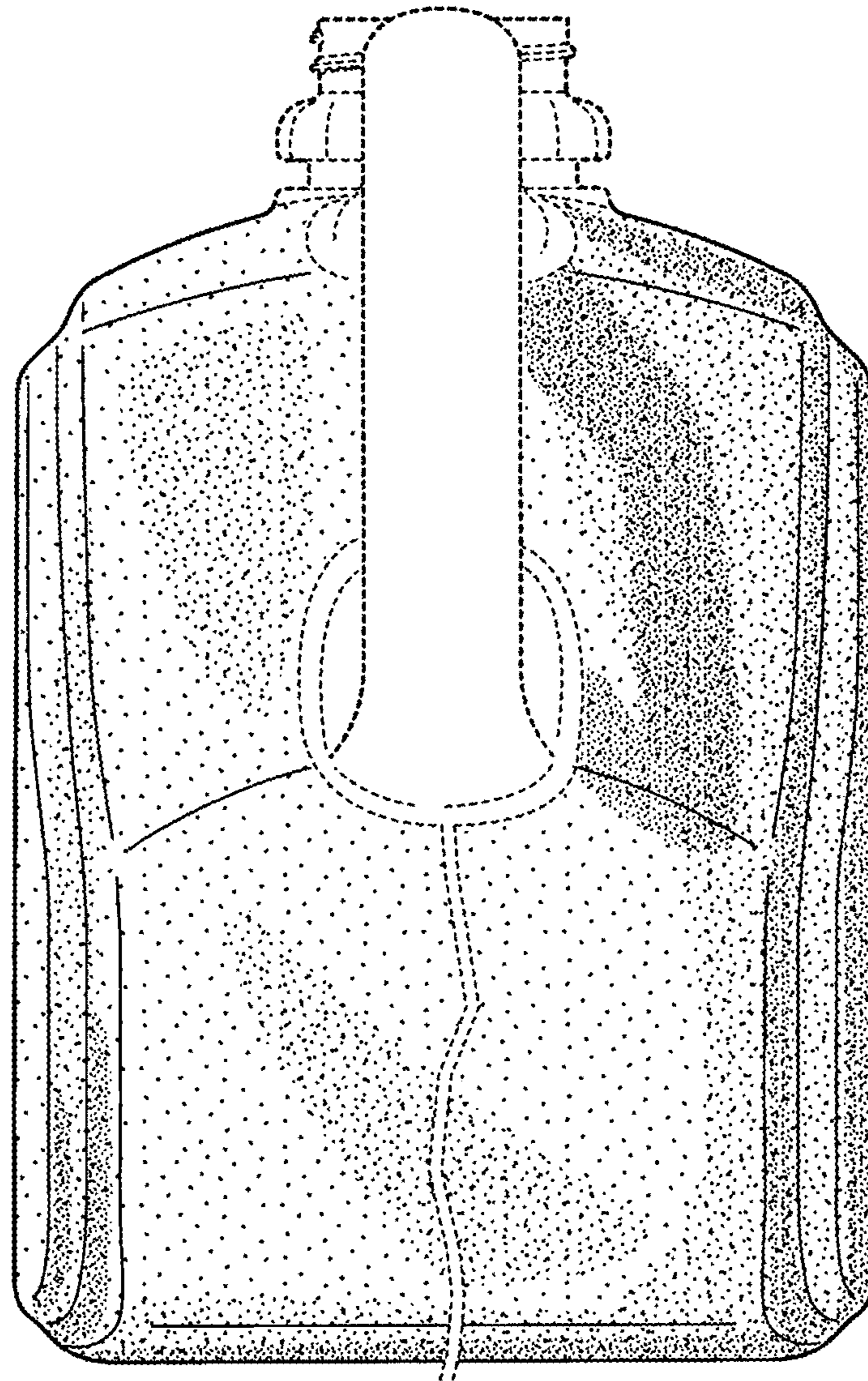


Figure 4

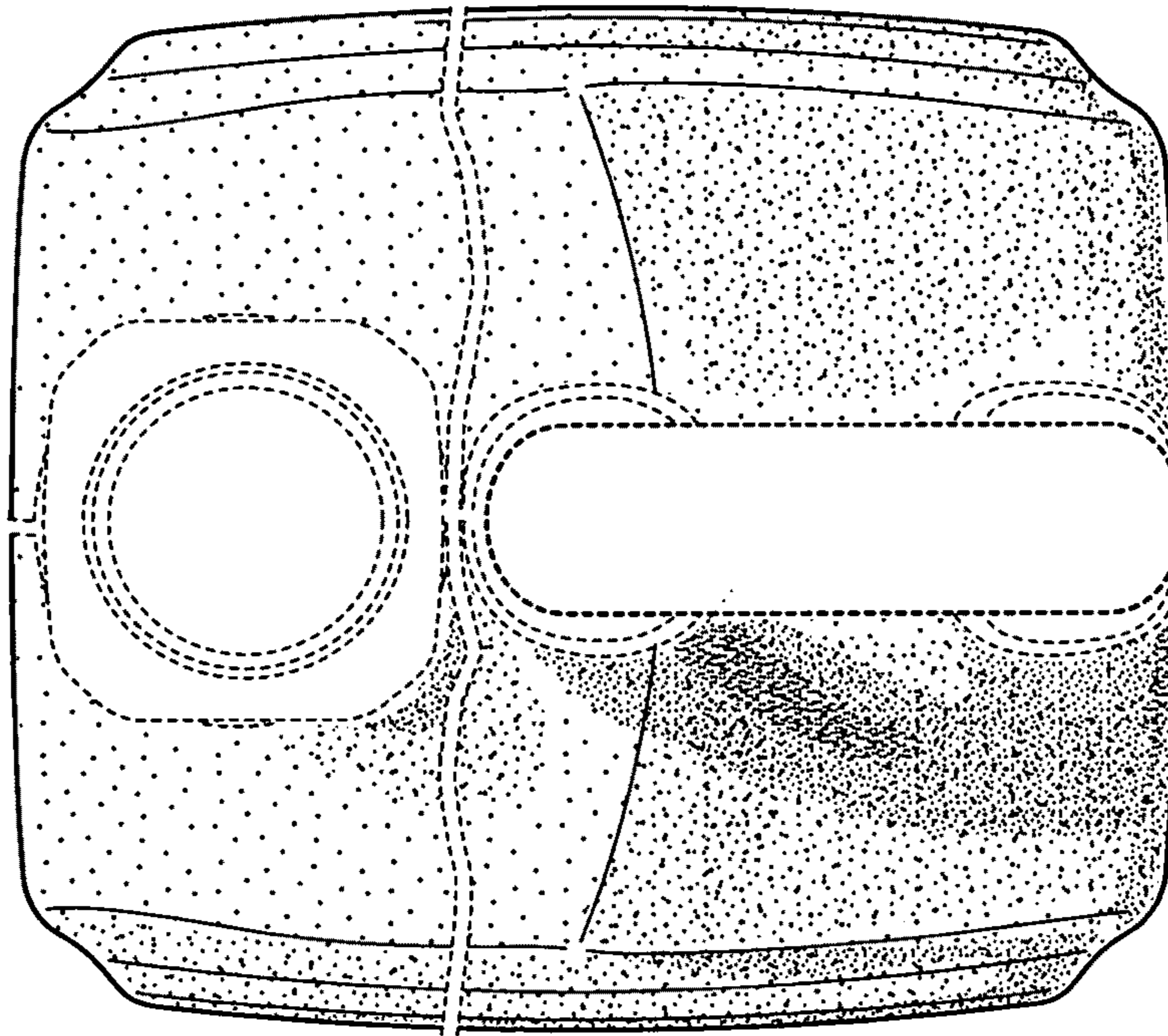


Figure 5

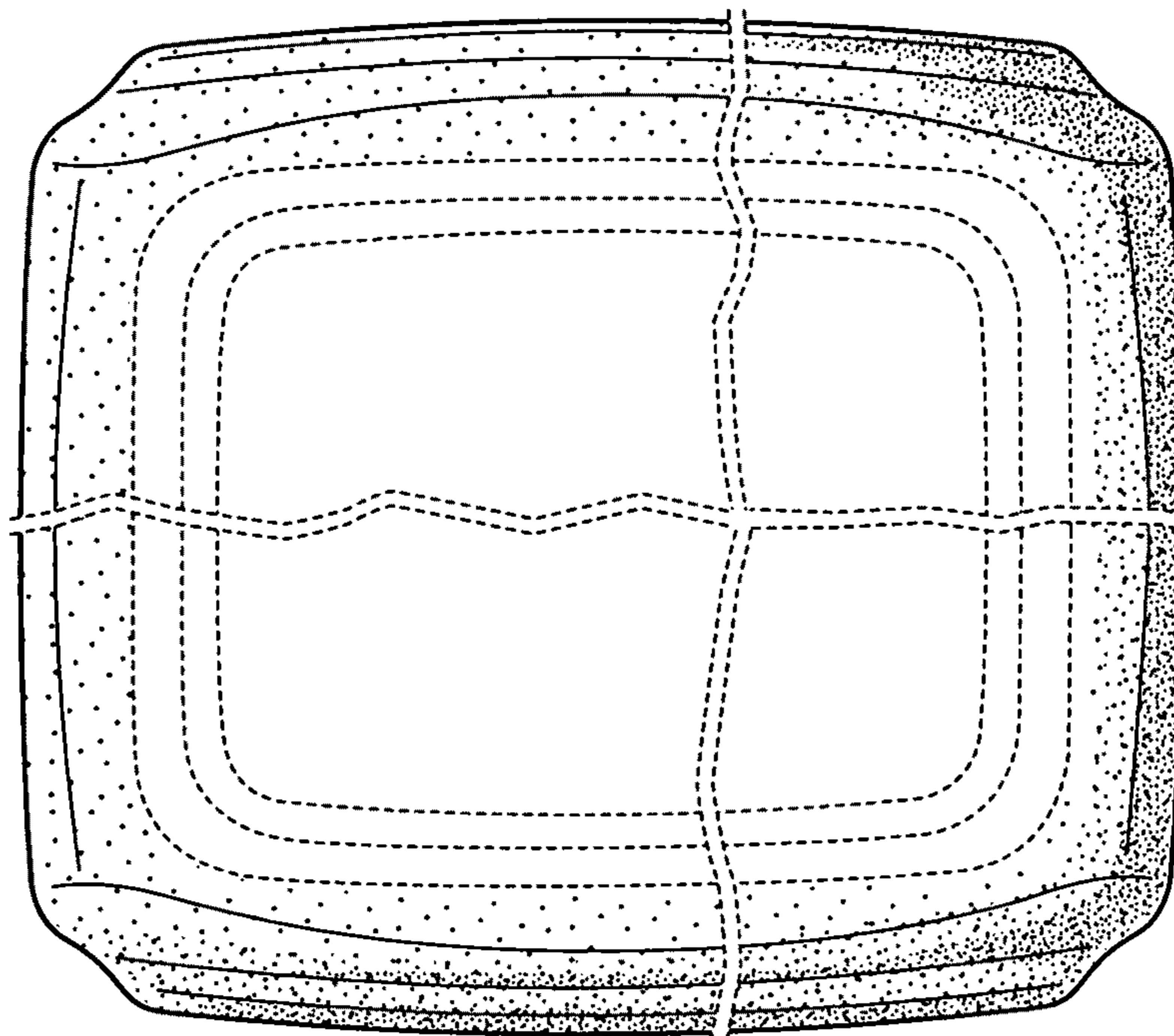


Figure 6