



US00D772713S

(12) **United States Design Patent** (10) **Patent No.:** **US D772,713 S**  
**Chapman et al.** (45) **Date of Patent:** **\*\* Nov. 29, 2016**

(54) **BEVERAGE CAN BASE**

(56) **References Cited**

(71) Applicant: **CROWN Packaging Technology, Inc.**,  
Alsip, IL (US)

U.S. PATENT DOCUMENTS

(72) Inventors: **Adrian Roy Chapman**, Swindon (GB);  
**John Pawel Bilko**, Swindon (GB)

D356,498 S *	3/1995	Strawser .....	D9/435
D379,587 S *	6/1997	Goins .....	D9/429
D398,997 S *	9/1998	Taylor .....	D23/386
D534,079 S *	12/2006	Livingston .....	D9/516
D636,674 S *	4/2011	Golota .....	D9/452

(73) Assignee: **Crown Packaging Technology, Inc.**,  
Alsip, IL (US)

\* cited by examiner

(\*\*) Term: **15 Years**

*Primary Examiner* — Keli L Hill

(21) Appl. No.: **29/542,055**

(74) *Attorney, Agent, or Firm* — Baker & Hostetler LLP

(22) Filed: **Oct. 9, 2015**

(57) **CLAIM**

(51) **LOC (10) Cl.** ..... **09-01**

We claim the ornamental design for a beverage can base, as shown and described.

(52) **U.S. Cl.**

USPC ..... **D9/516; D9/434**

(58) **Field of Classification Search**

USPC ..... D9/500, 502, 516, 530, 537, 539, 542,  
D9/549, 763-783; 215/381-385; 220/660,  
220/669, 675

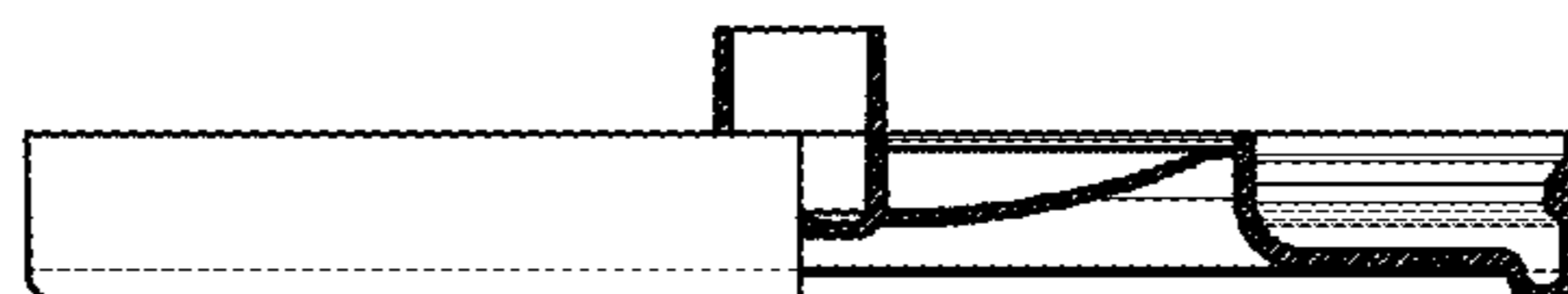
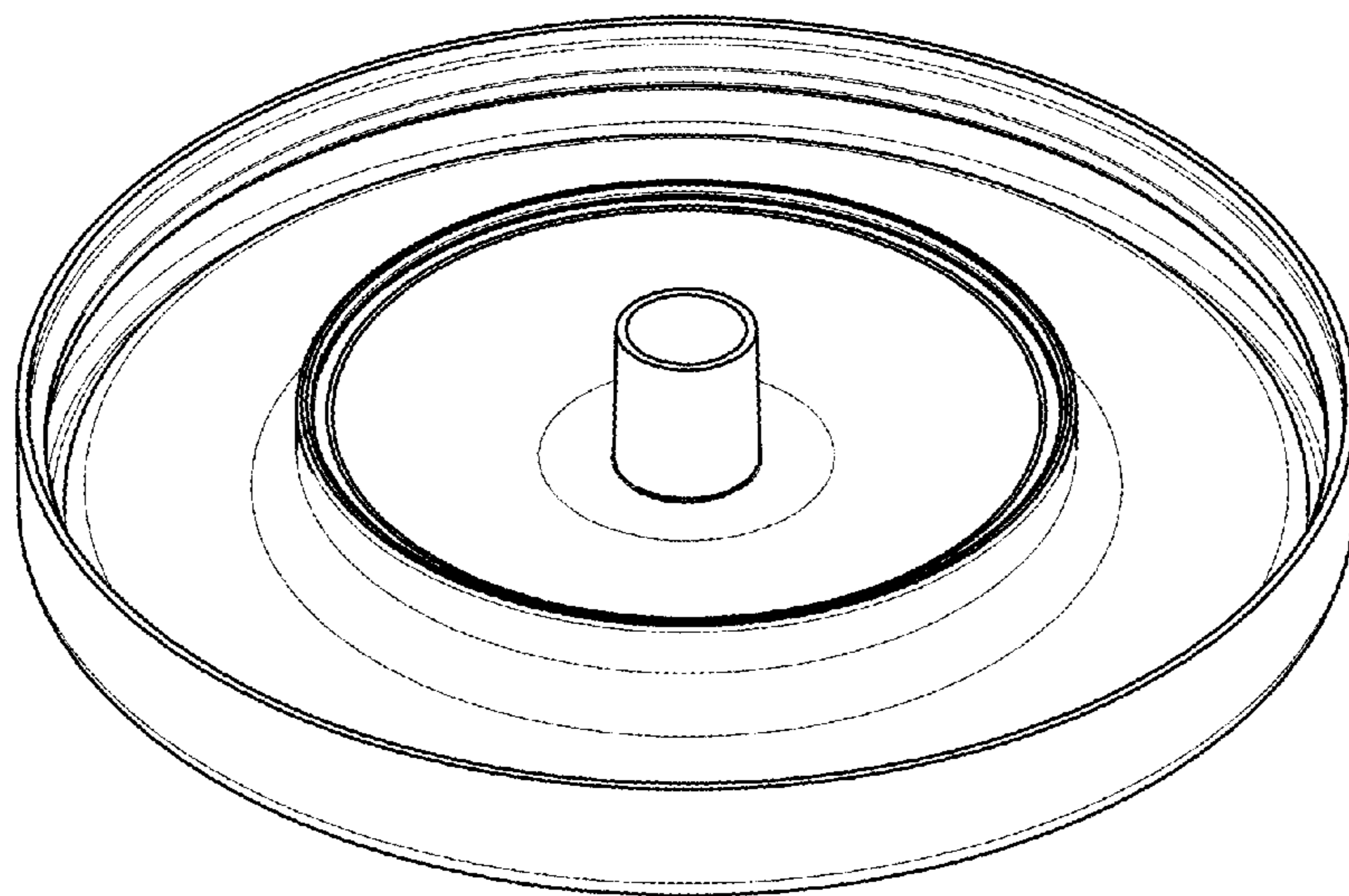
CPC ..... B65D 1/00; B65D 1/02; B65D 1/12;  
B65D 1/14; B65D 1/40; B65D 1/023; B65D  
1/0223; B65D 1/165; B65D 1/238; B65D  
1/253; B65D 7/04; B65D 21/0209; B65D  
21/0233; B65D 25/00; B65D 25/28; B65D  
41/0457; B65D 41/17; B65D 53/06; B65D  
75/56; B65D 79/005; B65D 2501/0036;  
B65D 2543/00064; B65D 2543/00074;  
B65D 2543/00083; B65D 2543/00092;  
B65D 2543/00101; B65D 2543/00111

See application file for complete search history.

**DESCRIPTION**

FIG. 1 is a top perspective view of a beverage can base according to our new design;  
FIG. 2 is a sectional top perspective view thereof;  
FIG. 3 is a front view thereof, the front view being identical to the rear view, the left side view, and the right side view;  
FIG. 4 is a sectional front view thereof;  
FIG. 5 is a top view thereof; and,  
FIG. 6 is a bottom view thereof.  
The broken lines in the drawings are to illustrate environment only and form no part of the claimed design.

**1 Claim, 2 Drawing Sheets**



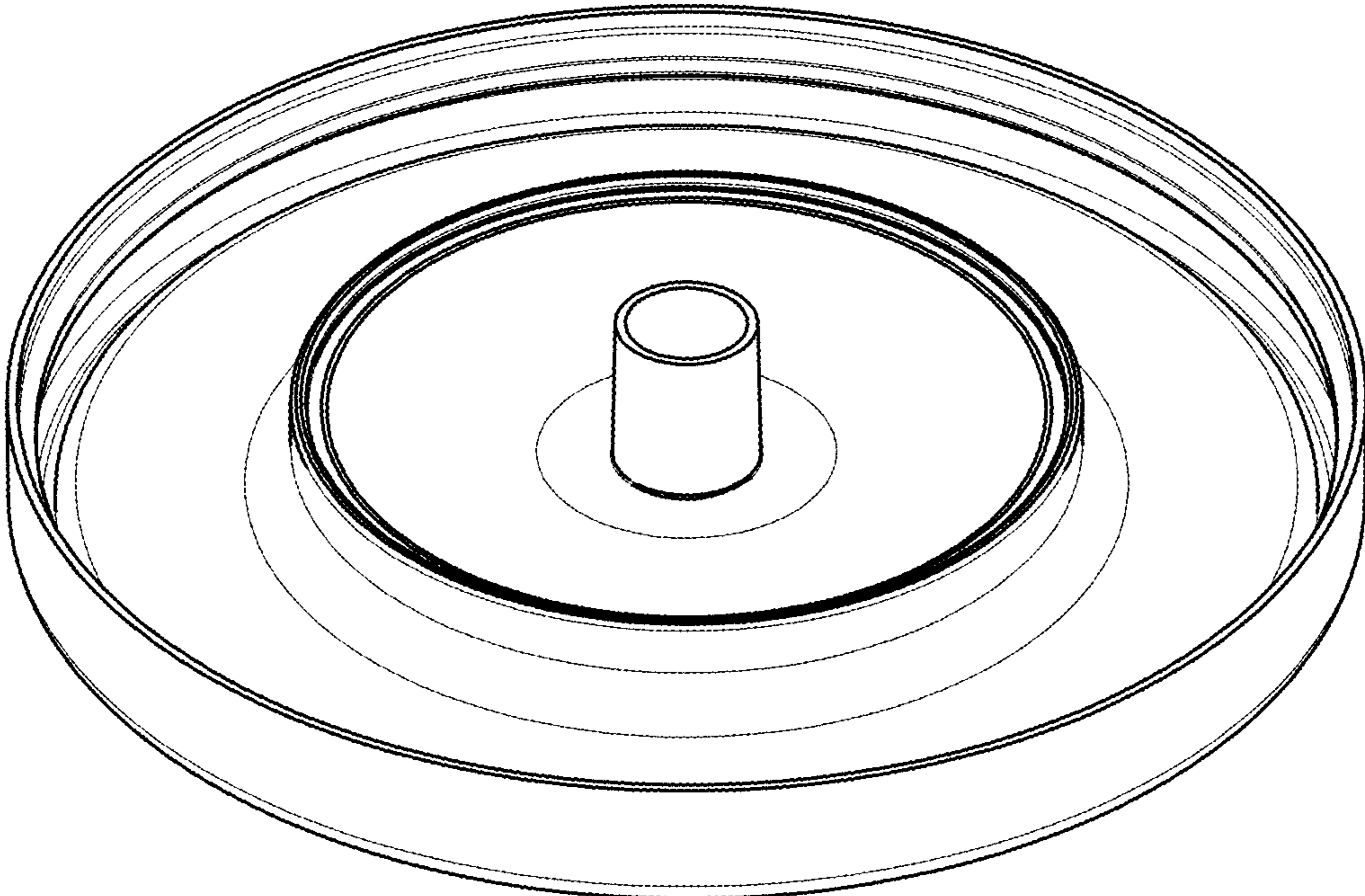


Fig.1

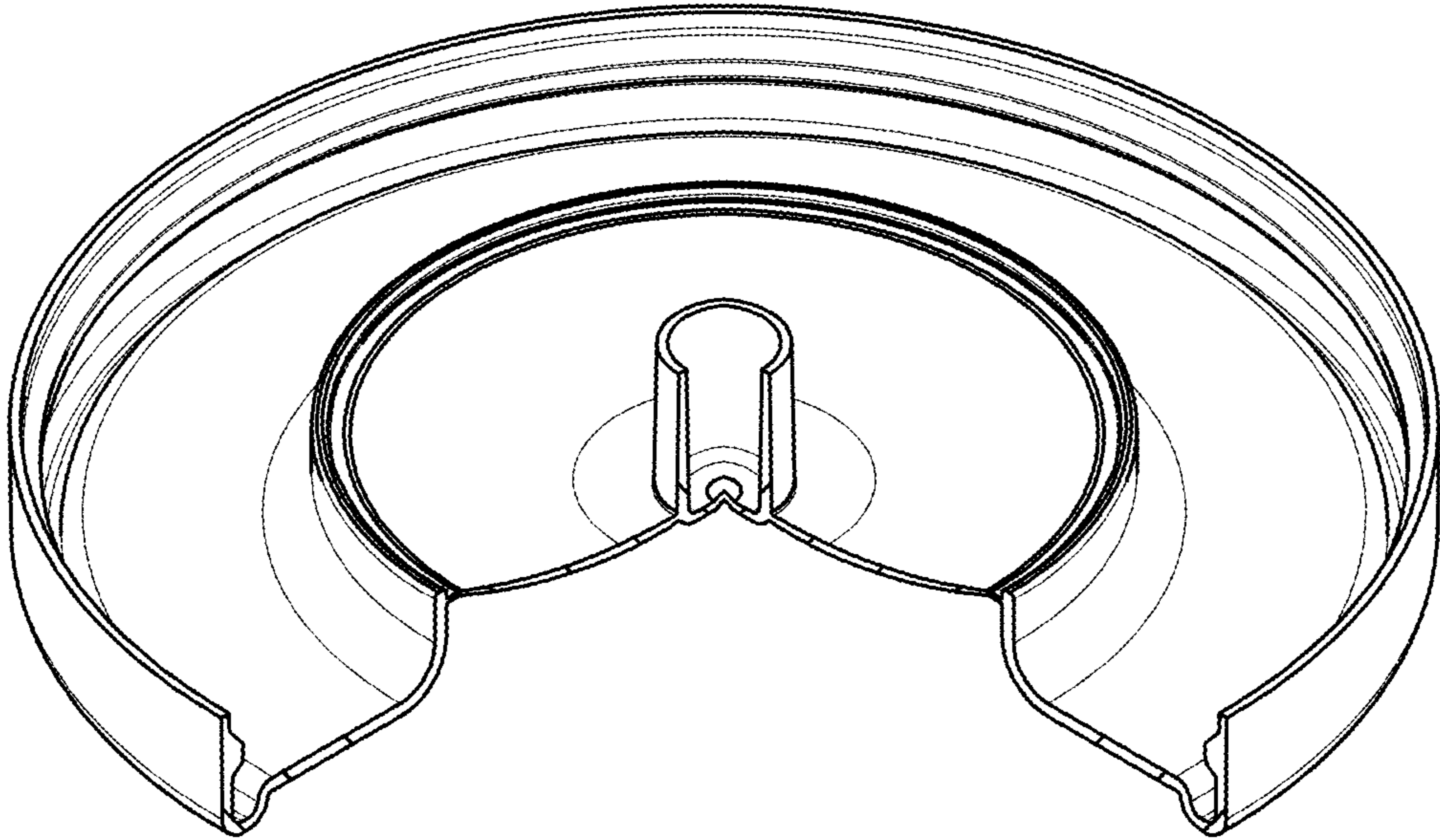


Fig.2



Fig.3

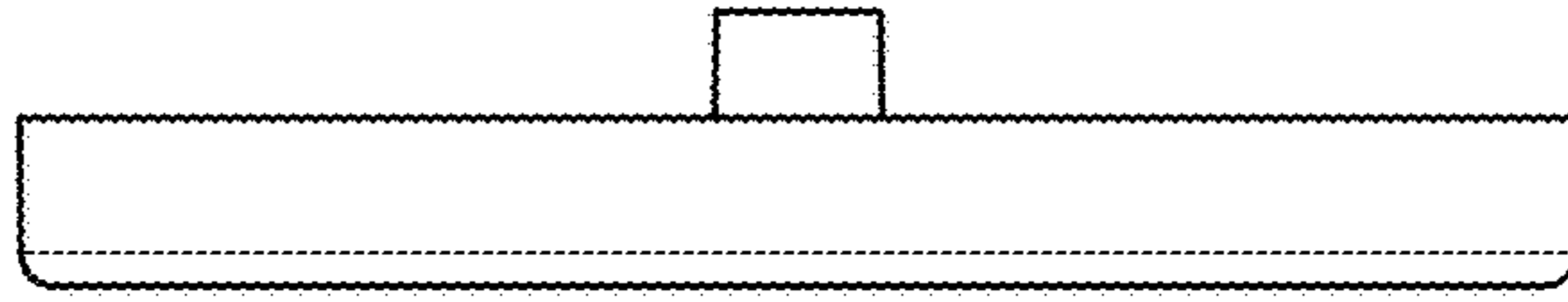


Fig.4

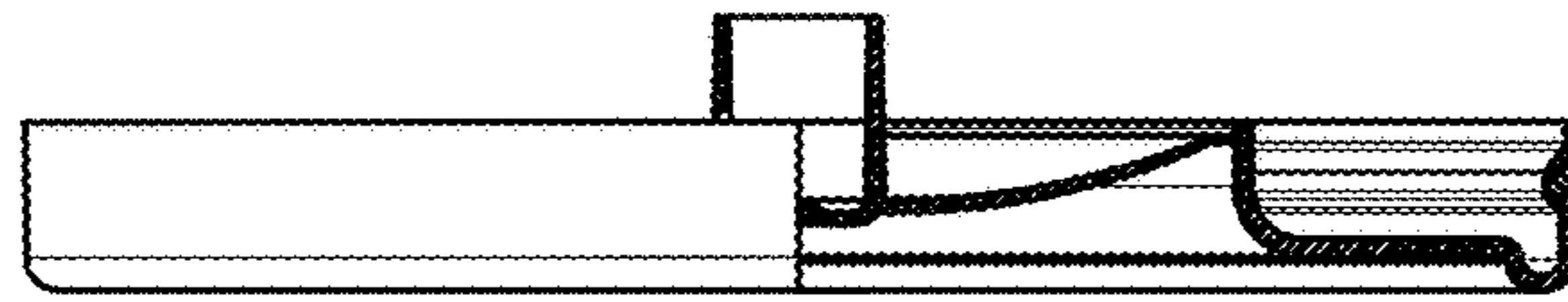


Fig.5

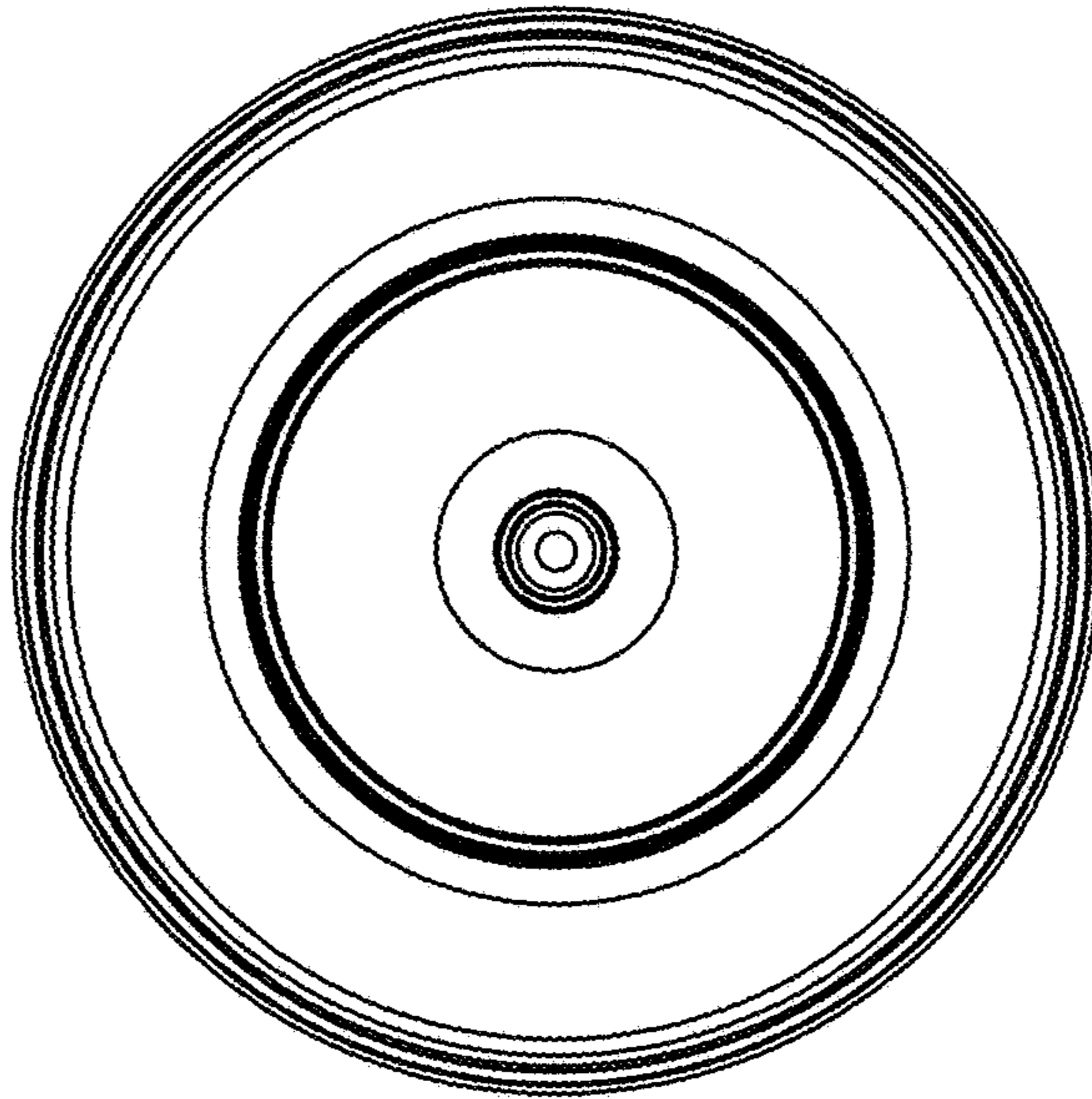


Fig.6

