



US00D772710S

(12) **United States Design Patent** (10) **Patent No.:** **US D772,710 S**
Katopis (45) **Date of Patent:** **** Nov. 29, 2016**

(54) **ANIMAL-THEMED CONTAINER LID**
(71) Applicant: **Chris J. Katopis**, Washington, DC (US)
(72) Inventor: **Chris J. Katopis**, Washington, DC (US)
(**) Term: **15 Years**
(21) Appl. No.: **29/545,695**
(22) Filed: **Nov. 15, 2015**
(51) **LOC (10) Cl.** **09-07**
(52) **U.S. Cl.**
USPC **D9/451**
(58) **Field of Classification Search**
USPC D9/600, 601, 607, 611, 434-454;
206/457, 494, 459.5, 527, 540, 890;
229/116.1; 446/77; 215/381-384, 400;
D7/514-516, 539, 544, 571, 579, 604,
D7/613, 619.2, 628-630, 391-392.1;
D21/654
CPC B65D 67/00; B65D 81/36; B65D 81/60;
B65D 81/368; B65D 2203/00; B65D
2203/02; B65D 51/245; B65D 81/365;
B65D 81/366; A63H 33/16
See application file for complete search history.

(56) **References Cited**

U.S. PATENT DOCUMENTS

D154,878 S * 8/1949 Robbins D21/654
D187,348 S * 3/1960 Goss D21/654
D240,309 S * 6/1976 Ovenstein D21/654
D277,880 S 3/1985 Paczko
D282,189 S 1/1986 Williams et al.
D284,684 S 7/1986 Fabricant
D305,140 S 12/1989 Bateman et al.
D321,081 S 10/1991 Meyers, Jr. et al.
D322,469 S 12/1991 Berger et al.
D322,823 S 12/1991 Ogundiran
D324,307 S 3/1992 Lin
D348,169 S 6/1994 Keller
D349,018 S 7/1994 Kaiser

D358,300 S 5/1995 Brown et al.
5,695,086 A * 12/1997 Viola B65D 43/0212
D9/451
D390,886 S 2/1998 Fletcher
D407,938 S 4/1999 Bear
D412,971 S 8/1999 Mauk
D420,178 S 2/2000 Bionder et al.
D427,484 S 7/2000 Ethridge
D484,358 S * 12/2003 Roth D7/392.1
D486,967 S 2/2004 Bourget
D487,784 S 3/2004 Bourget
D488,987 S 4/2004 Bell
D490,305 S 5/2004 Takacs
D490,905 S 6/2004 Nelson
D503,617 S * 4/2005 Roth D9/444
D509,023 S 8/2005 Chen
D511,463 S * 11/2005 Wolters D9/611
D512,645 S * 12/2005 Wolters D9/611
D515,352 S * 2/2006 Roth D7/392.1
D522,073 S 5/2006 Huetteman
D534,033 S * 12/2006 Roth D7/392.1

(Continued)

OTHER PUBLICATIONS

Angry Birds [online] [retrieved Nov. 15, 2015] Retrieved from the Internet <URL: <http://www.angrybirds.com/characters>>.

Primary Examiner — Sandra Morris

(74) *Attorney, Agent, or Firm* — Chris J. Katopis

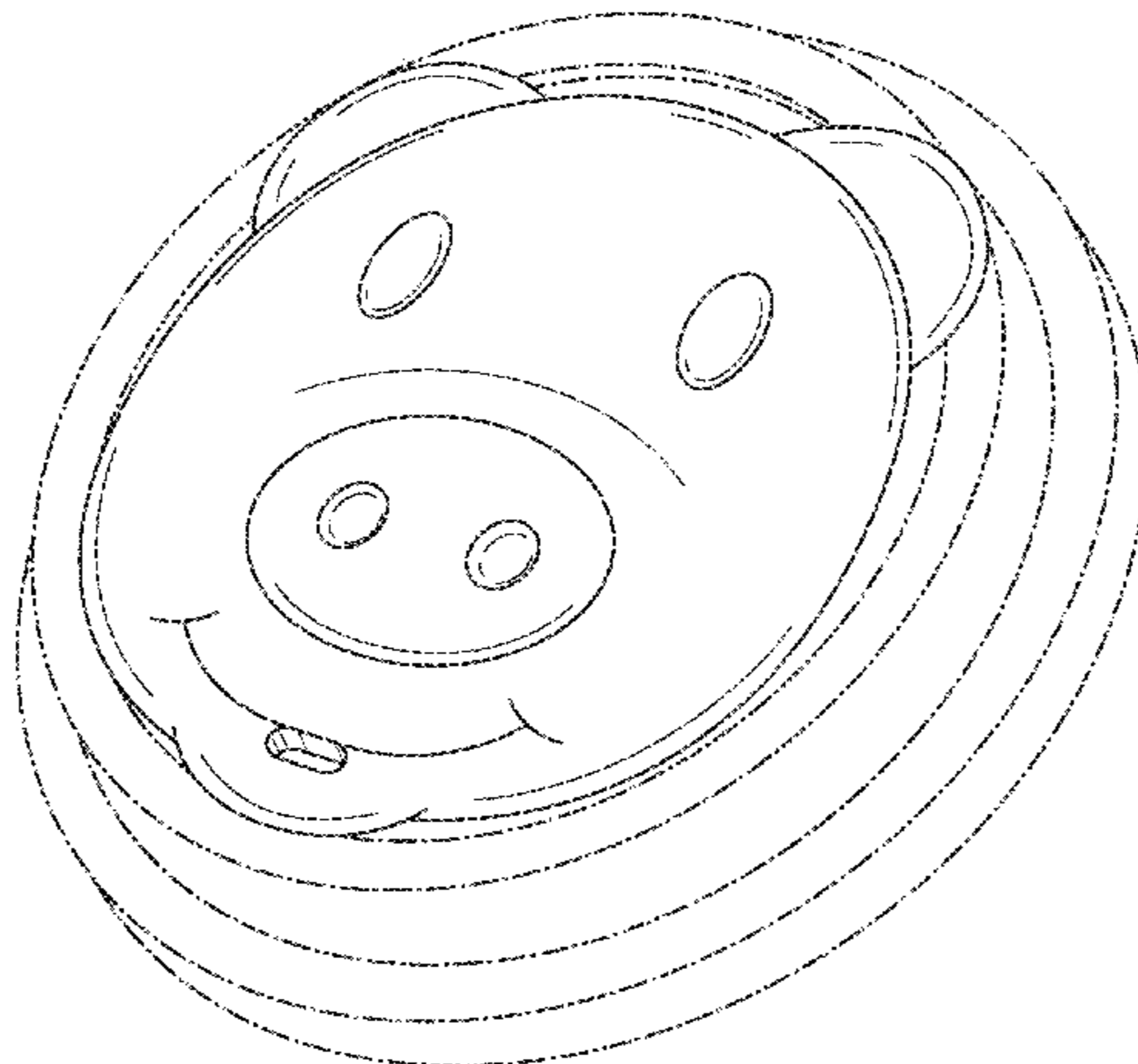
(57) **CLAIM**

The ornamental design for an animal-themed container lid, as shown and described.

DESCRIPTION

FIG. 1 is a front perspective view of an animal-themed container lid, showing the new design; FIG. 2 is a top view thereof; FIG. 3 is a bottom view thereof; FIG. 4 is a side view thereof, the opposite side view being a mirror-image; FIG. 5 is a back view thereof; and, FIG. 6 is a front view thereof.

1 Claim, 6 Drawing Sheets



(56)

References Cited

U.S. PATENT DOCUMENTS

D536,751 S	2/2007	Boutin		D632,047 S	2/2011	Weiss et al.	
7,172,072 B2 *	2/2007	Schiltz	B65D 1/36	D636,968 S	5/2011	Weiss et al.	
			206/457	D645,927 S	9/2011	Schauffele	
D539,864 S	4/2007	Nicolette et al.		D658,956 S	5/2012	Welch	
D565,391 S	4/2008	Shetler		D671,824 S	12/2012	van der Lande	
D582,221 S	12/2008	Vendi		D672,892 S	12/2012	Zabaco	
D596,229 S	7/2009	van der Lande		D681,400 S *	5/2013	Gold	D7/628
D603,913 S	11/2009	Kelly		D690,779 S	10/2013	Georgakopoulos	
D624,125 S	9/2010	Loguercio		D693,228 S	11/2013	Kelley	
D627,586 S *	11/2010	Holdridge	D21/654	D702,292 S	4/2014	Pascale	
				D705,654 S *	5/2014	Wurth	D21/654
				D733,487 S	7/2015	Piacenza et al.	
				D741,711 S *	10/2015	D'Amato	D9/451

* cited by examiner

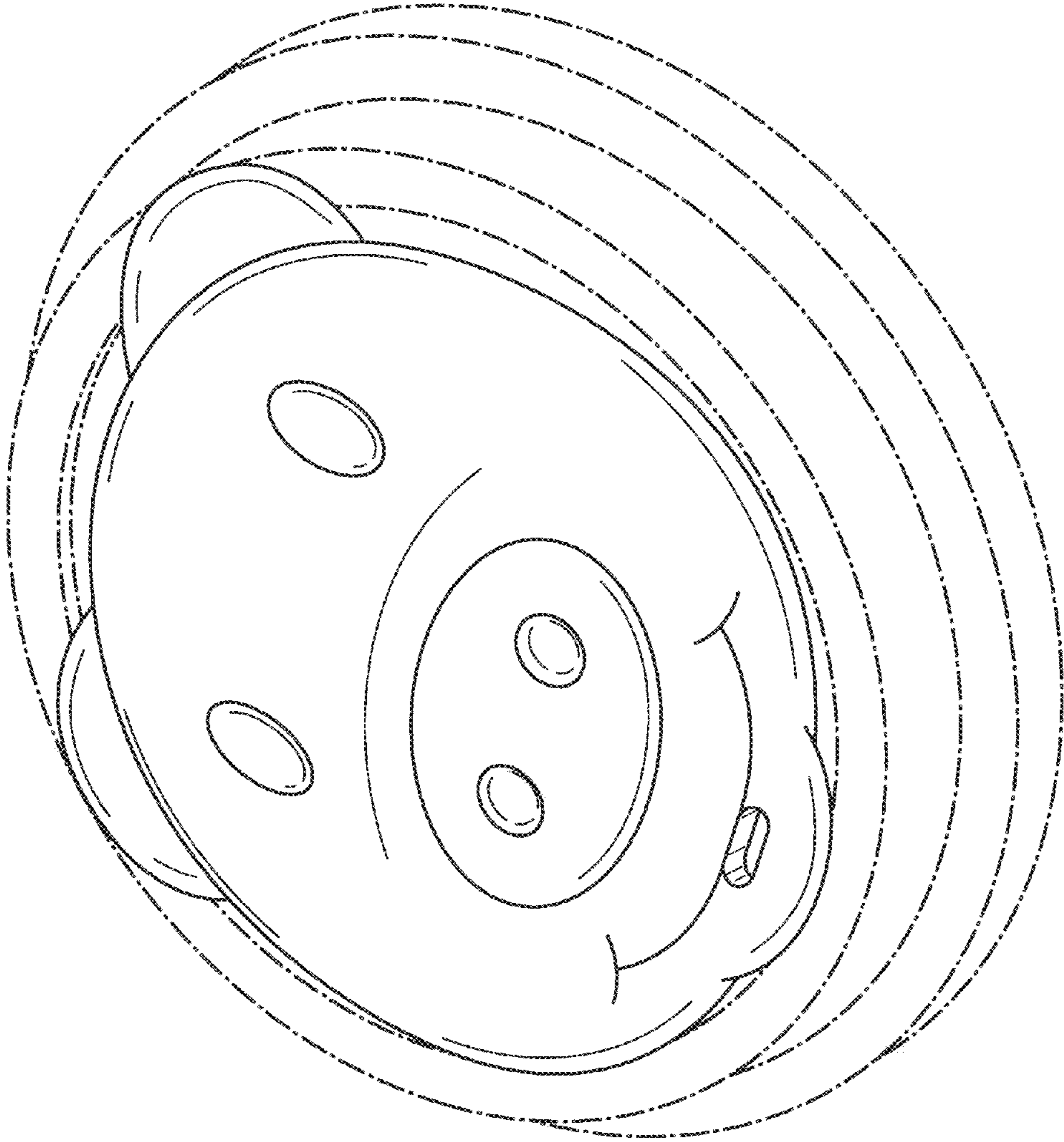


FIG. 1

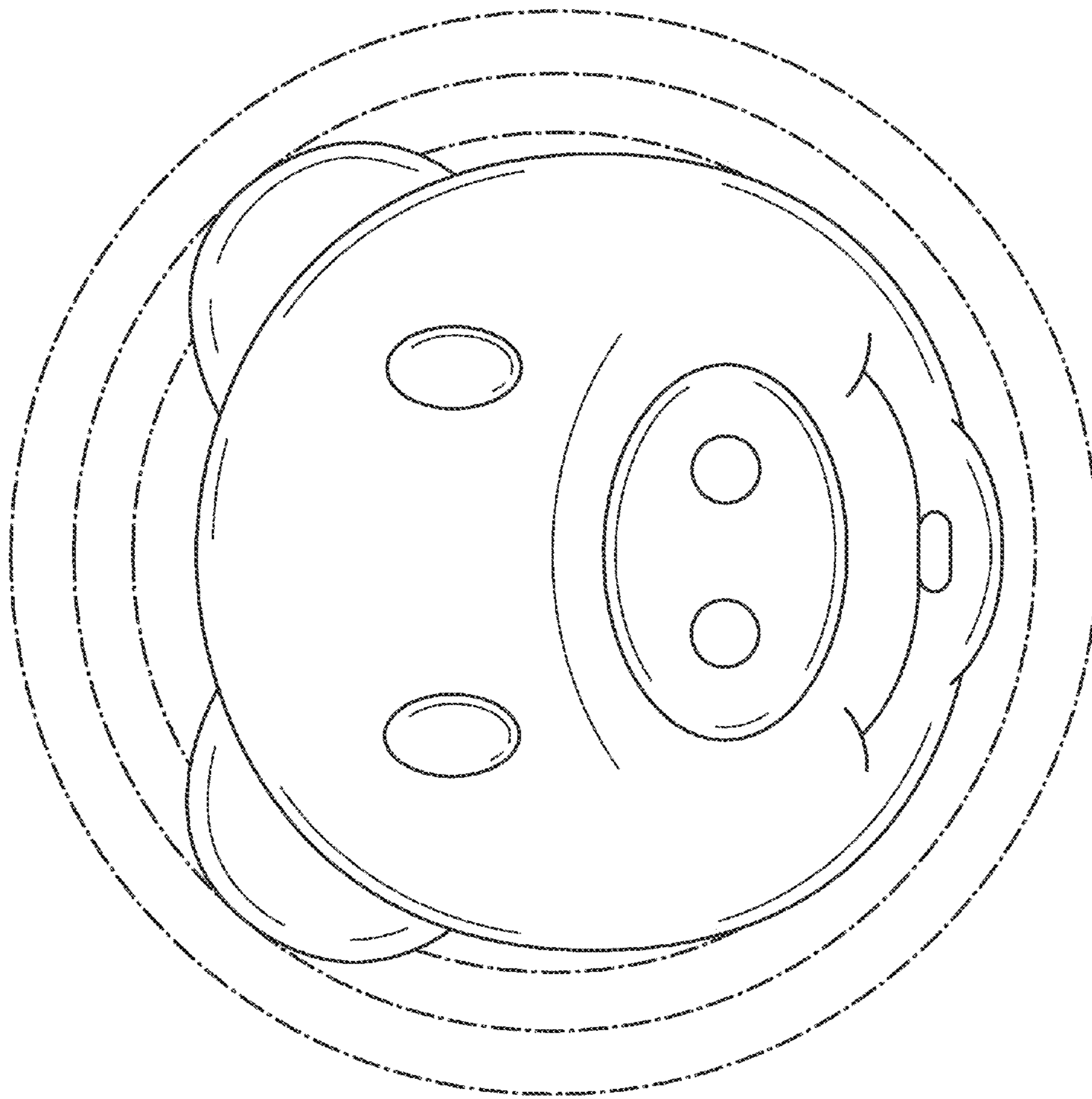


FIG. 2

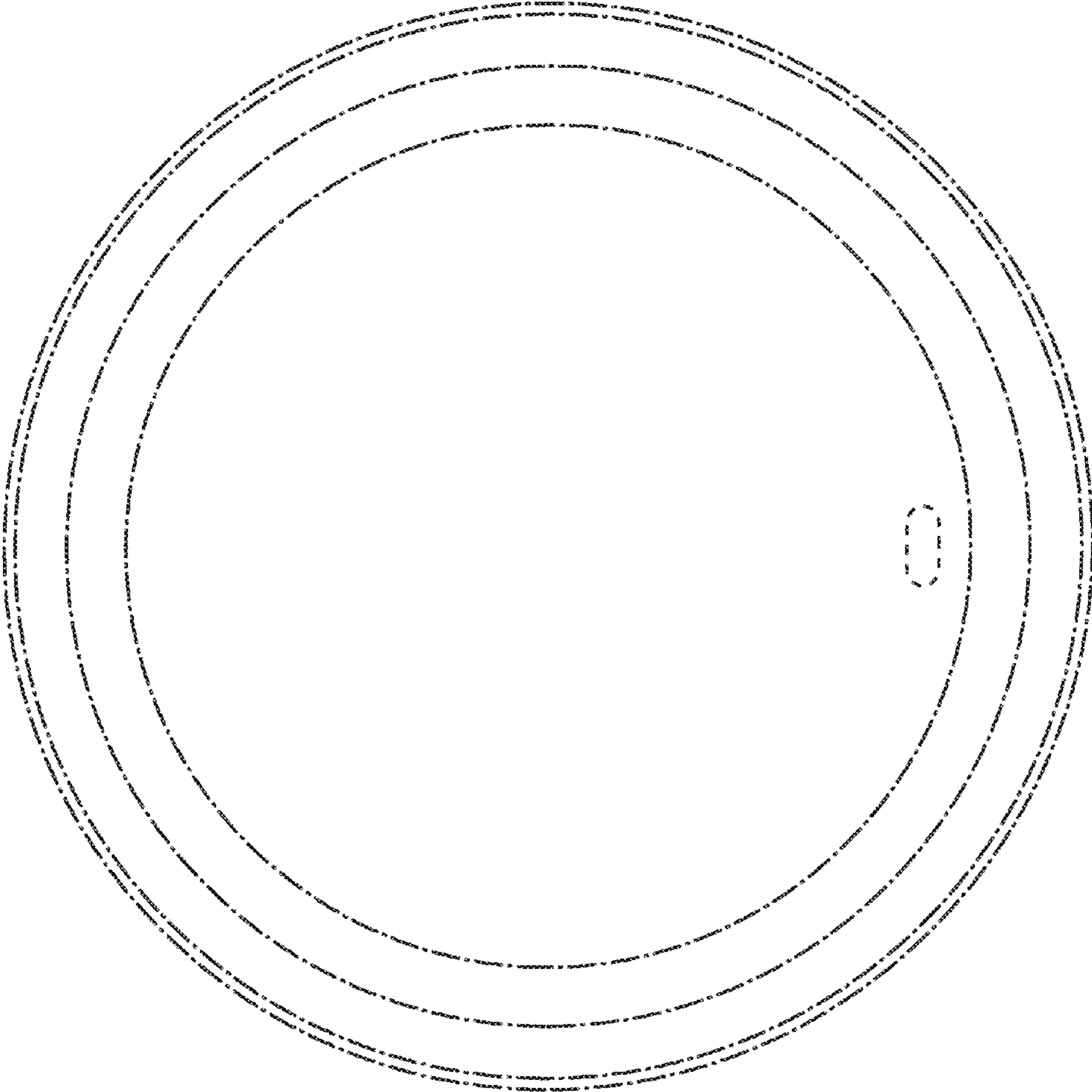


FIG. 3

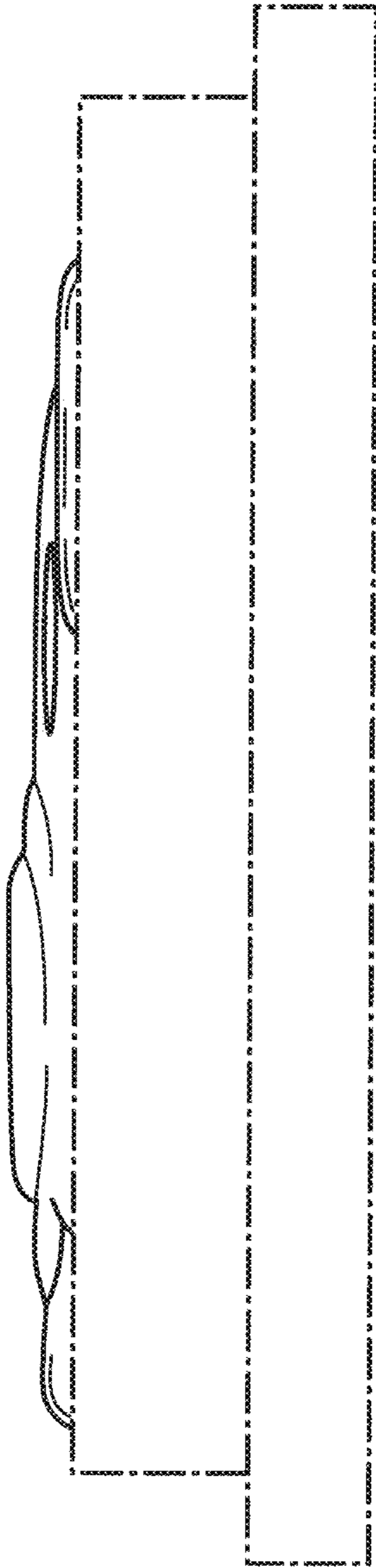


FIG. 4

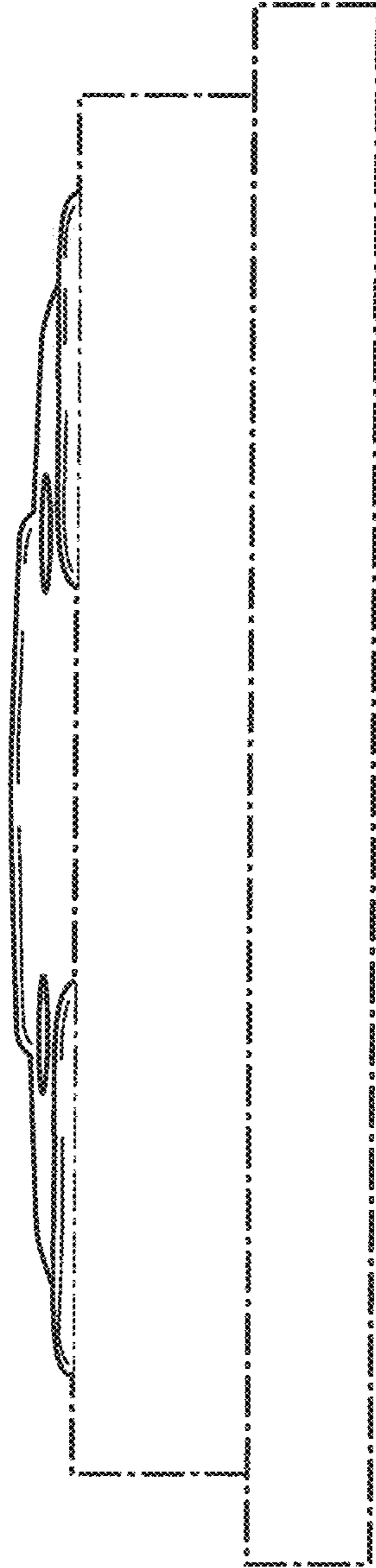


FIG. 5

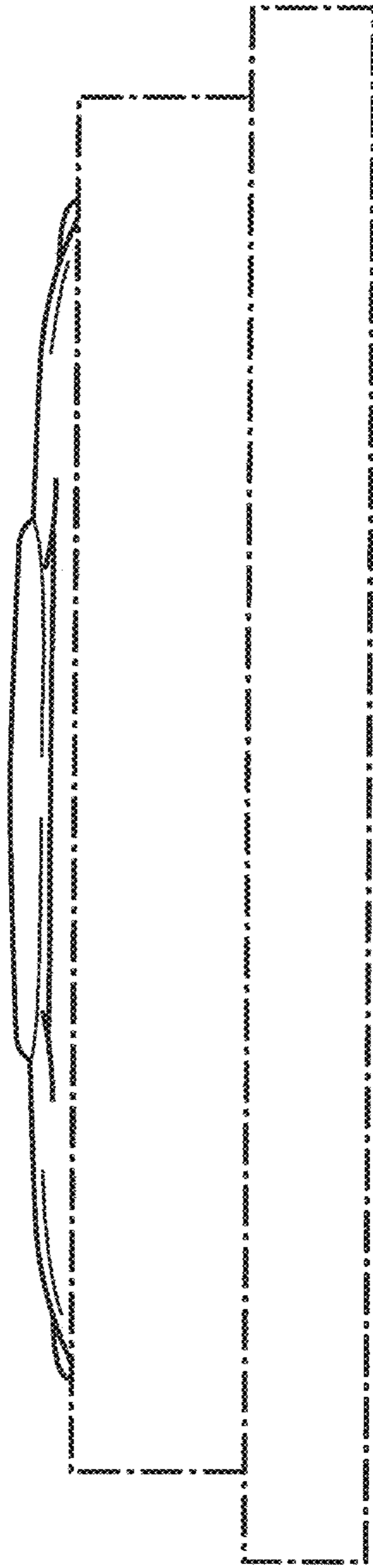


FIG. 6