



US00D772708S

(12) **United States Design Patent**
Lloyd et al.

(10) **Patent No.:** **US D772,708 S**

(45) **Date of Patent:** **** Nov. 29, 2016**

(54) **FLIP TOP CLOSURE**

(71) Applicant: **Innovative Molding**, Rohnert Park, CA (US)

(72) Inventors: **David Wayne Lloyd**, Santa Rose, CA (US); **Christopher Steven Finkbohner**, Sebastopol, CA (US)

(73) Assignee: **Innovative Molding**, Rohnert Park, CA (US)

(**) Term: **14 Years**

(21) Appl. No.: **29/488,266**

(22) Filed: **Apr. 17, 2014**

(51) **LOC (10) Cl.** **09-07**

(52) **U.S. Cl.**
USPC **D9/449**

(58) **Field of Classification Search**
USPC D9/434, 435, 436, 440, 447, 449, 450, D9/452, 453, 454

CPC B65D 47/08; B65D 47/0823; B65D 47/0838; B65D 51/249

See application file for complete search history.

(56) **References Cited**

U.S. PATENT DOCUMENTS

D106,187 S	9/1937	Fleisch	
D159,797 S	8/1950	Gessler	
4,779,750 A	10/1988	Armstrong	
D311,868 S	11/1990	Armstrong	
5,176,279 A	1/1993	Campbell et al.	
D334,538 S *	4/1993	Bolen, Jr. D9/447
D358,530 S	5/1995	Mehra et al.	
D415,684 S	10/1999	Reidenbach	
D438,799 S	3/2001	Anderson	

(Continued)

Primary Examiner — Robert M Spear

(74) *Attorney, Agent, or Firm* — Woodard Emhardt Moriarty McNett & Henry LLP

(57) **CLAIM**

The ornamental design for a flip top closure, as shown and described.

DESCRIPTION

FIG. 1 is a perspective view of our ornamental design with the flip top portion in an open position;

FIG. 2 is a front elevational view thereof;

FIG. 3 is a rear elevational view thereof;

FIG. 4 is a left side elevational view thereof;

FIG. 5 is a right side elevational view thereof;

FIG. 6 is a top plan view thereof; and

FIG. 7 is a bottom plan view thereof.

FIG. 8 is a perspective view of our ornamental design with the flip top portion in a closed position;

FIG. 9 is a front elevational view thereof;

FIG. 10 is a rear elevational view thereof;

FIG. 11 is a left side elevational view thereof;

FIG. 12 is a right side elevational view thereof;

FIG. 13 is a top plan view thereof; and

FIG. 14 is a bottom plan view thereof.

FIG. 15 is a perspective view of another embodiment of our ornamental design with the flip top portion in an open position;

FIG. 16 is a front elevational view thereof;

FIG. 17 is a rear elevational view thereof;

FIG. 18 is a left side elevational view thereof;

FIG. 19 is a right side elevational view thereof;

FIG. 20 is a top plan view thereof; and

FIG. 21 is a bottom plan view thereof.

FIG. 22 is a perspective view of our ornamental design with the flip top portion in a closed position;

FIG. 23 is a front elevational view thereof;

FIG. 24 is a rear elevational view thereof;

FIG. 25 is a left side elevational view thereof;

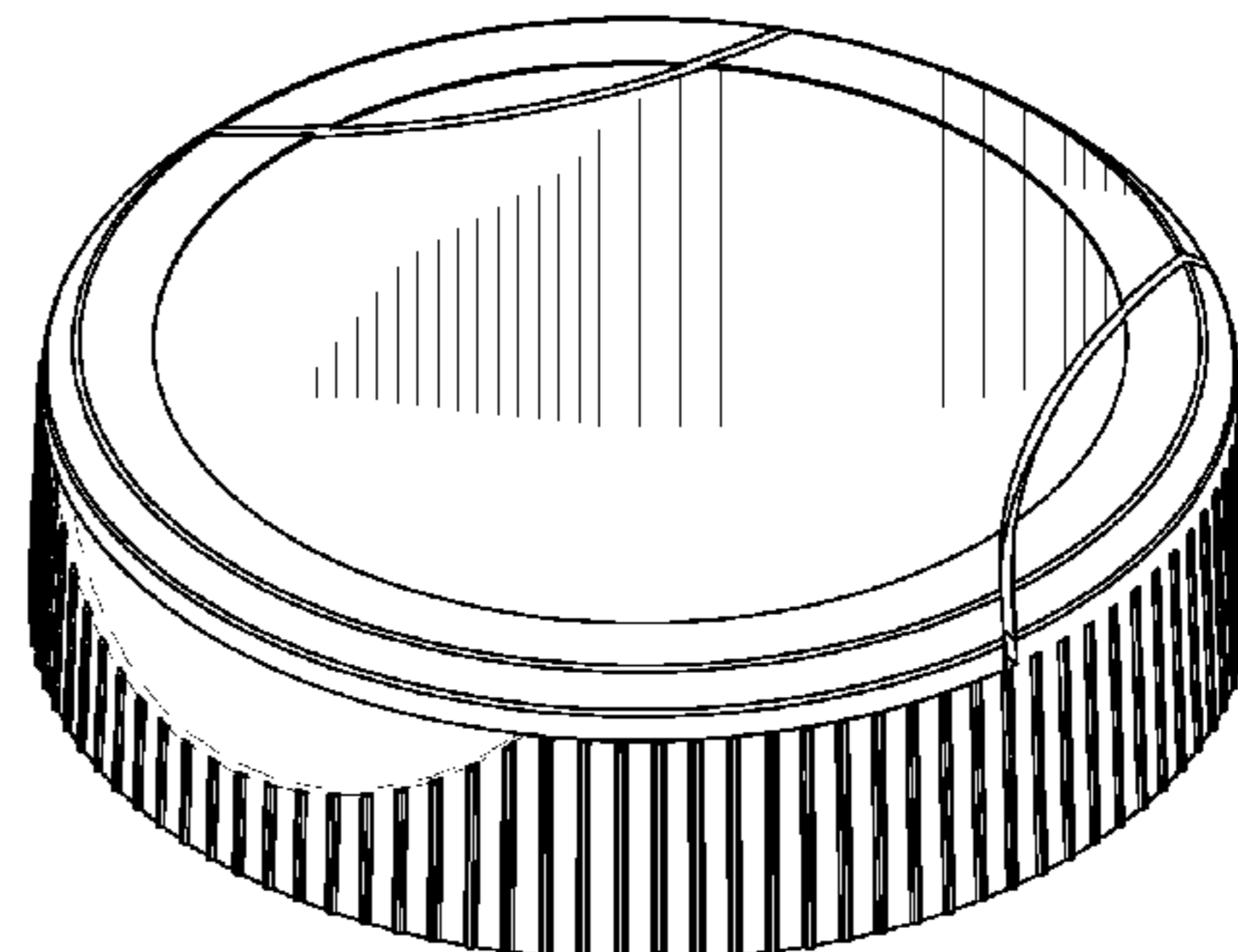
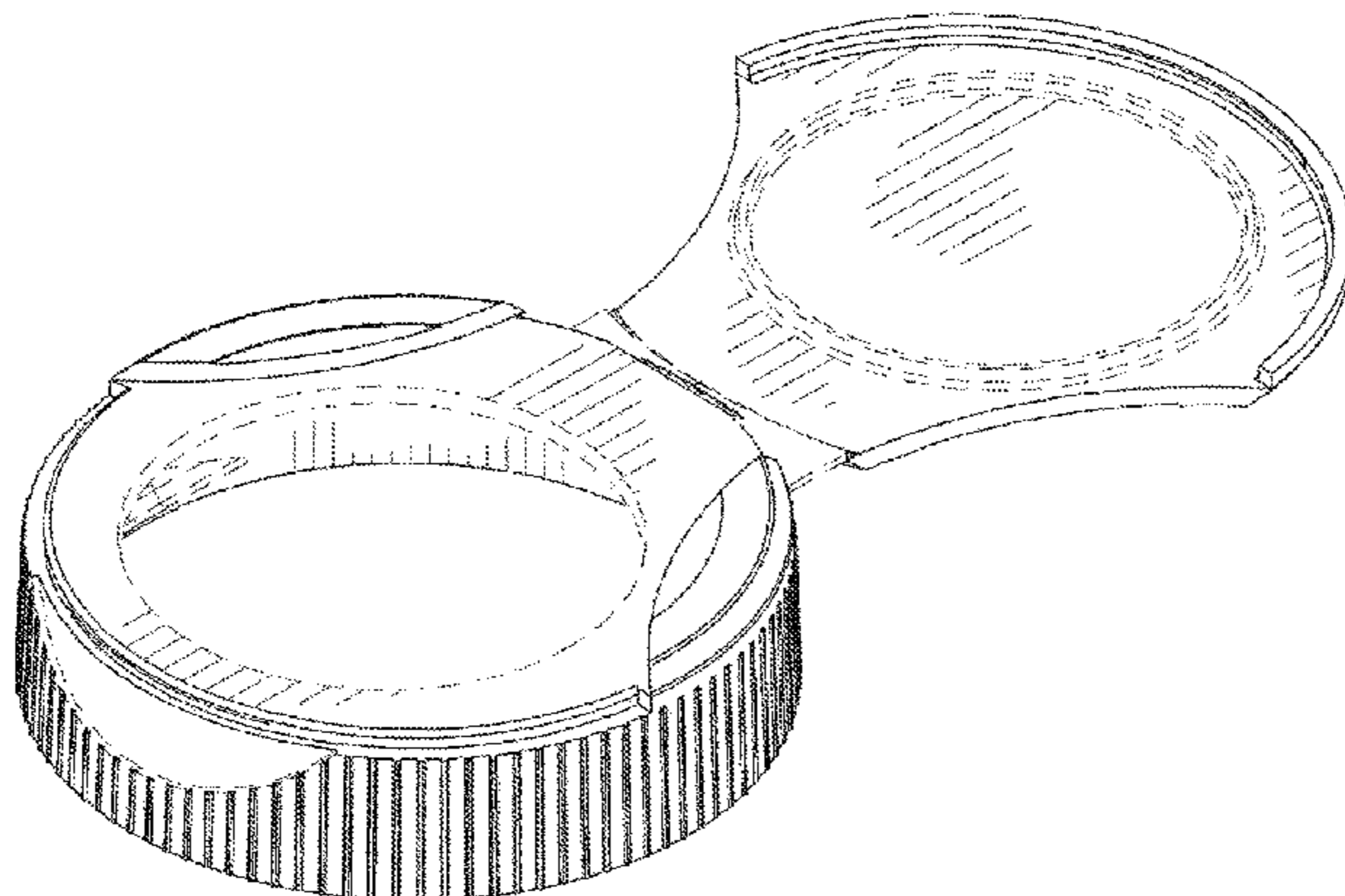
FIG. 26 is a right side elevational view thereof;

FIG. 27 is a top plan view thereof; and,

FIG. 28 is a bottom plan view thereof.

In the drawings, the broken lines depict environment only and form no part of the claimed design.

1 Claim, 18 Drawing Sheets



(56)

References Cited

U.S. PATENT DOCUMENTS

D468,639 S *	1/2003	Wennerstrom	D9/447	D628,891 S *	12/2010	Groubert	D9/449
D476,892 S *	7/2003	Martin	D9/447	D628,892 S *	12/2010	Groubert	D9/449
D531,035 S *	10/2006	Pugne	D9/449	D628,893 S *	12/2010	Groubert	D9/449
D542,132 S *	5/2007	Pugne	D9/449	D631,347 S *	1/2011	Rudolph	D9/446
D577,287 S	9/2008	Haltom, III			D634,198 S *	3/2011	Groubert	D9/449
D583,234 S *	12/2008	Lohrman	D9/449	D638,294 S	5/2011	Heidel et al.		
D604,159 S *	11/2009	Pugne	D9/449	D639,161 S	6/2011	Webster		
7,628,297 B2 *	12/2009	Pugne	B65D 47/0804 215/237	8,448,798 B2 *	5/2013	Groubert	B29C 45/1676 215/235
D609,082 S	2/2010	Camisasca et al.			D713,724 S *	9/2014	den Boer	D9/449
D609,092 S *	2/2010	Laib	D9/449	8,863,968 B2 *	10/2014	Giusti	B01L 3/50825 215/235
D628,887 S *	12/2010	Groubert	D9/449	2009/0250478 A1	10/2009	Roth et al.		
D628,888 S *	12/2010	Groubert	D9/449	2009/0294447 A1 *	12/2009	Mazurkiewicz ...		B65D 47/0814 220/260
D628,890 S *	12/2010	Groubert	D9/449	2010/0140266 A1 *	6/2010	Lohrman	B65D 47/0838 220/254.3

* cited by examiner

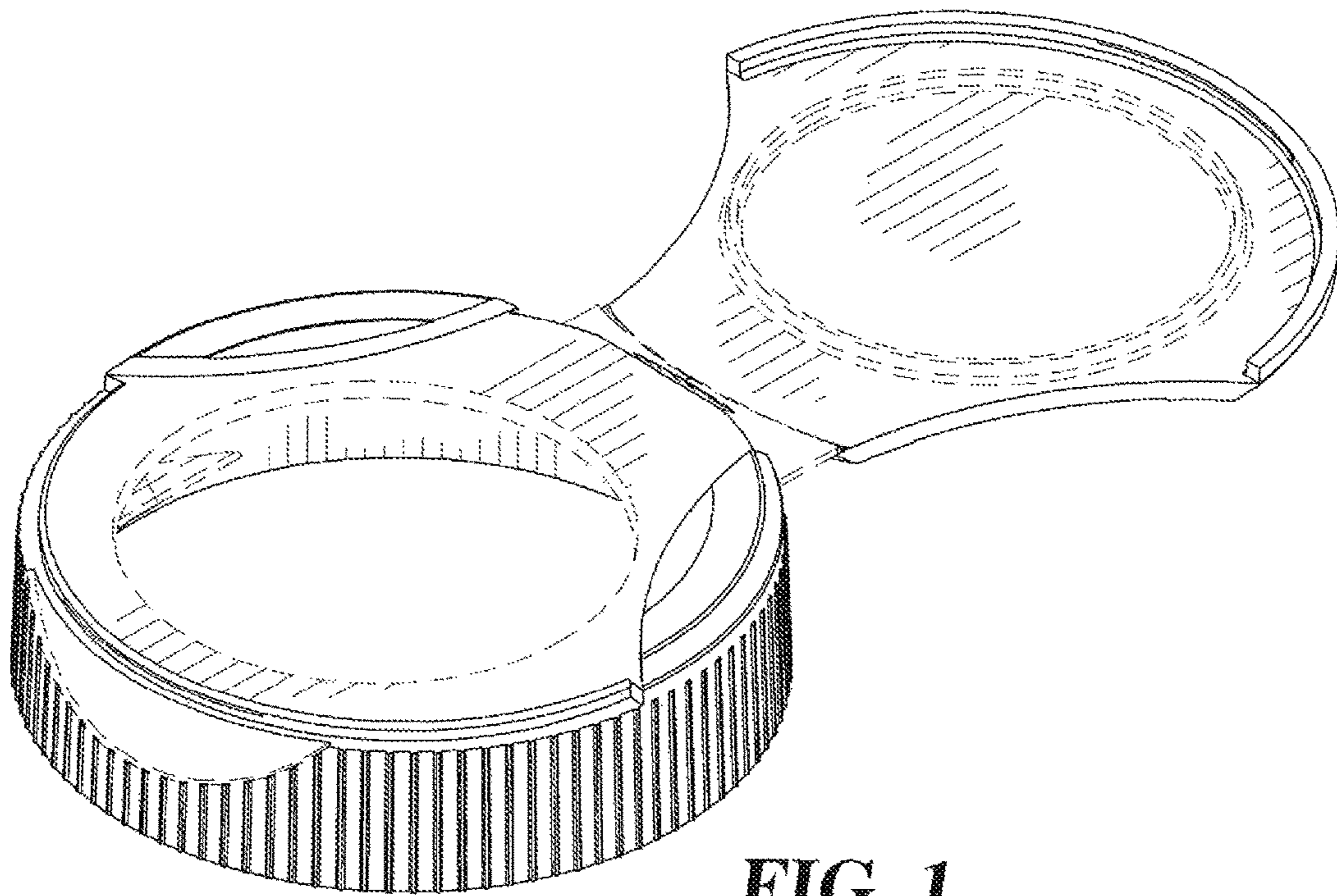


FIG. 1

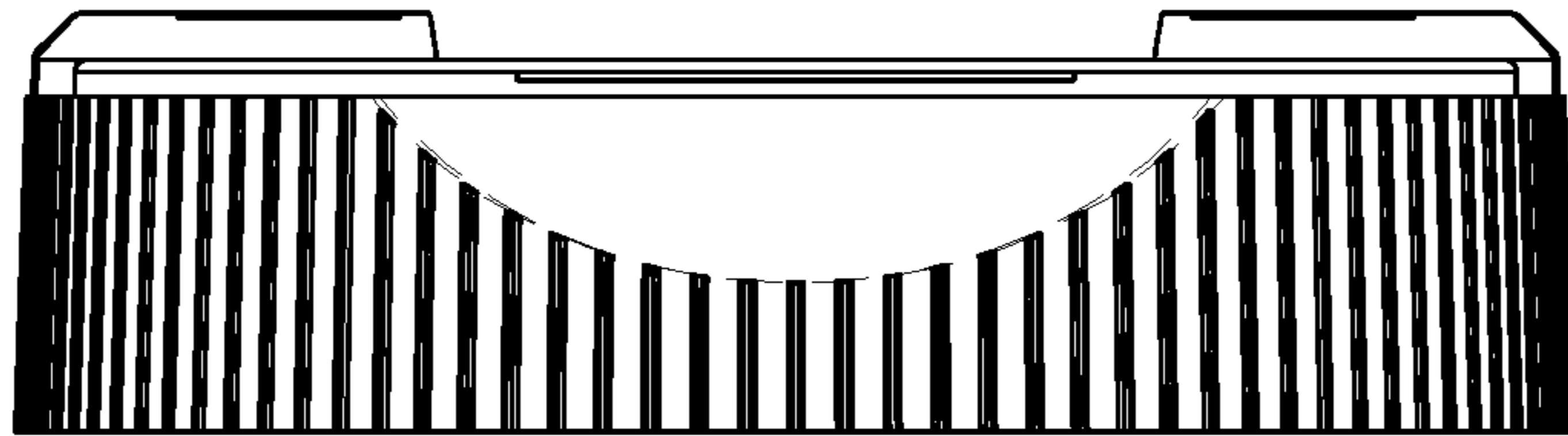


FIG. 2

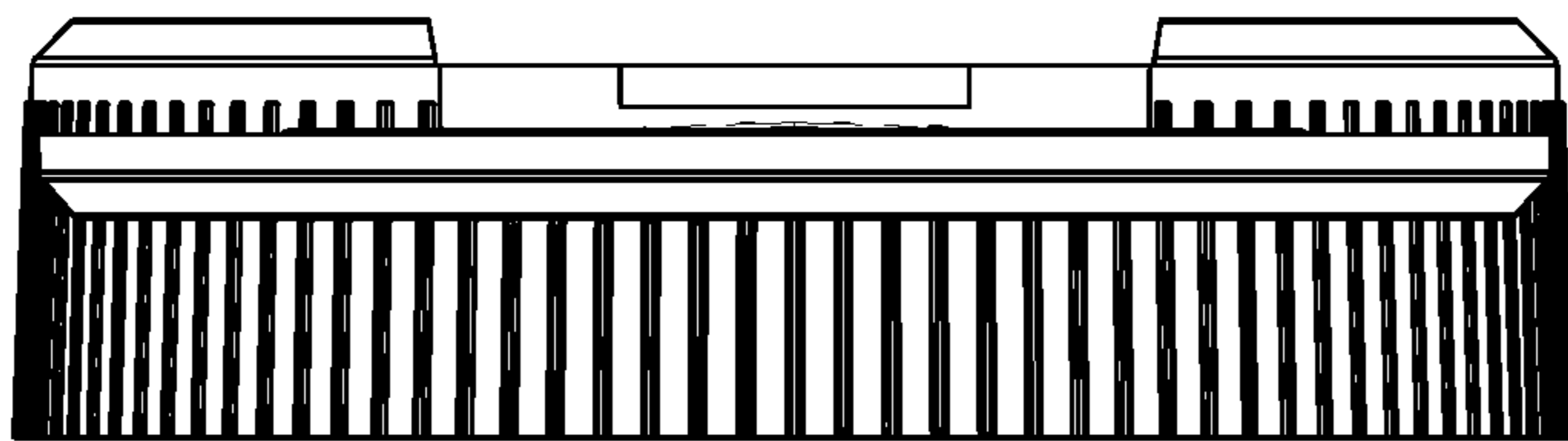


FIG. 3

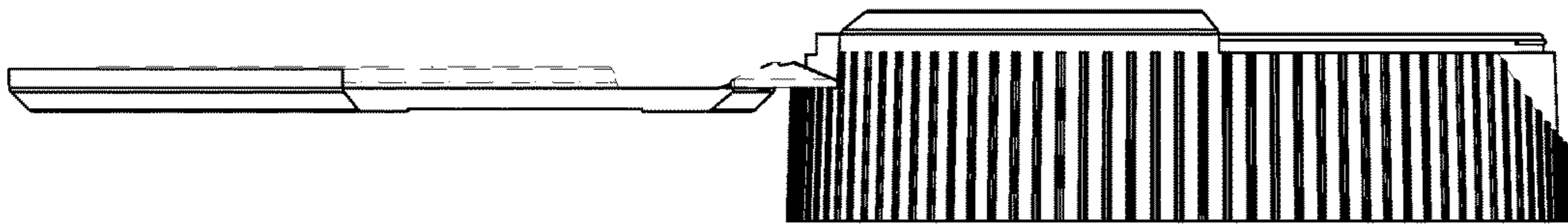


FIG. 4

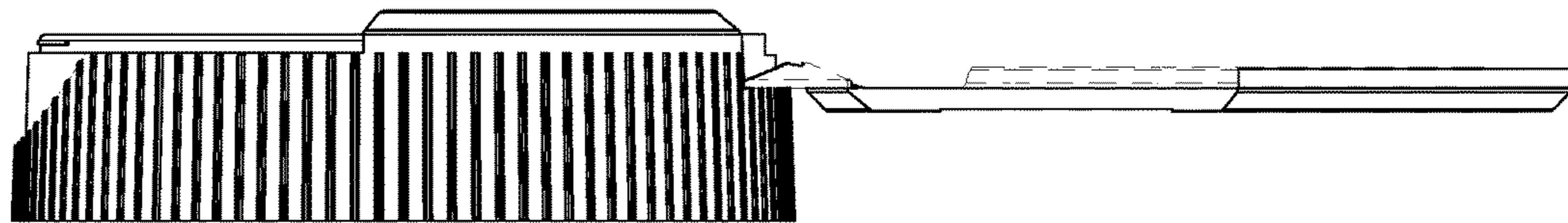


FIG. 5

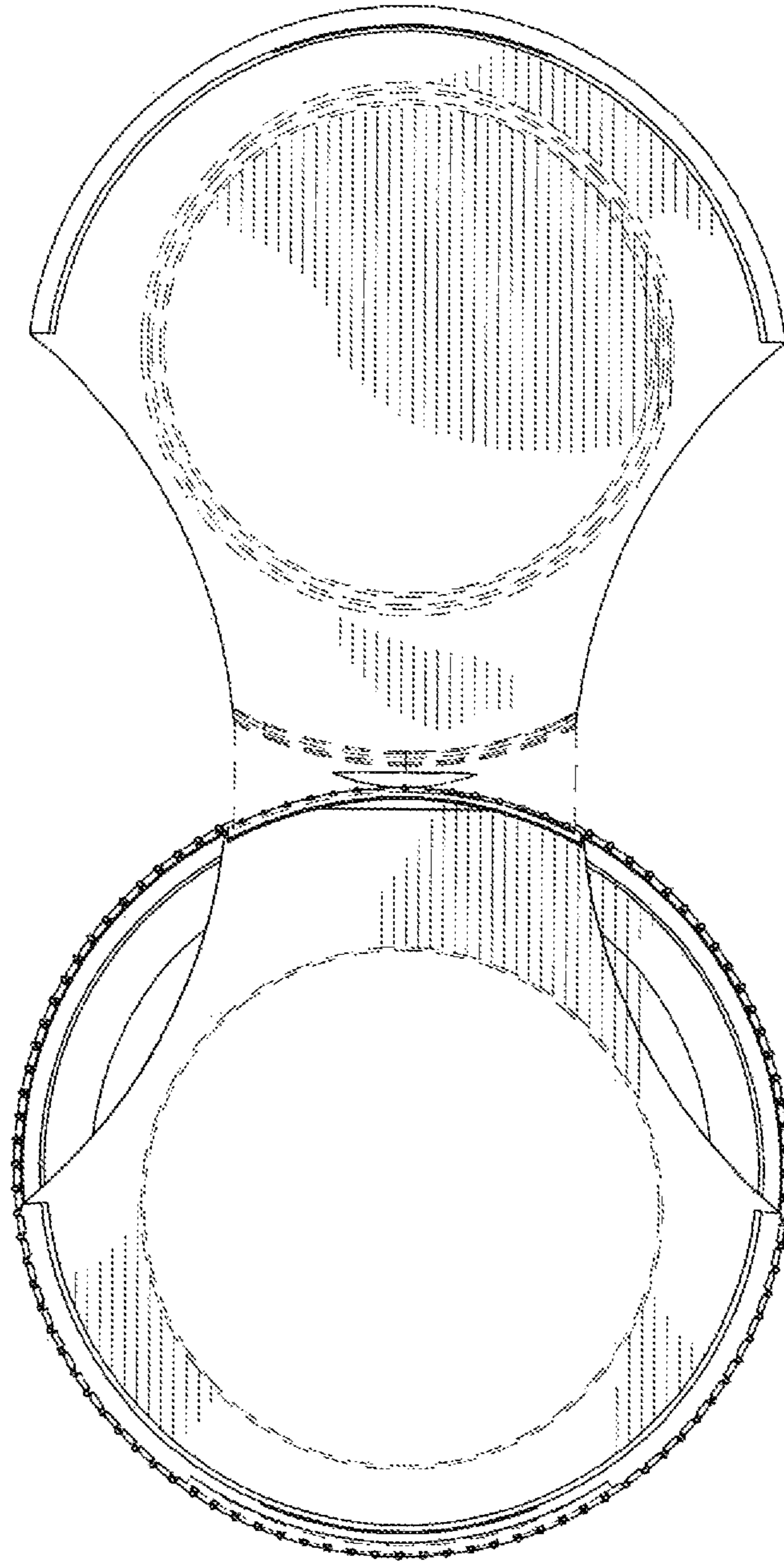


FIG. 6

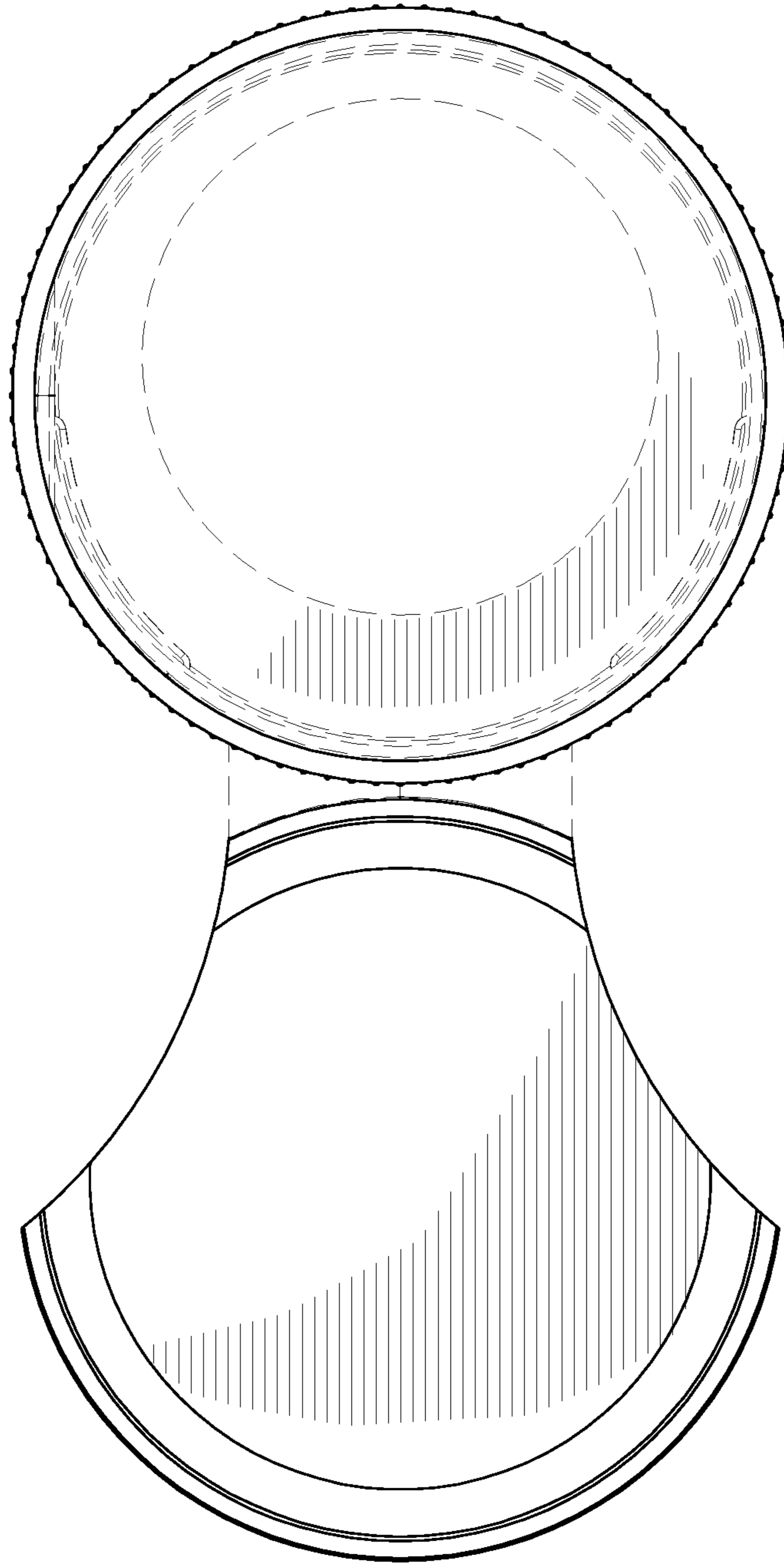


FIG. 7

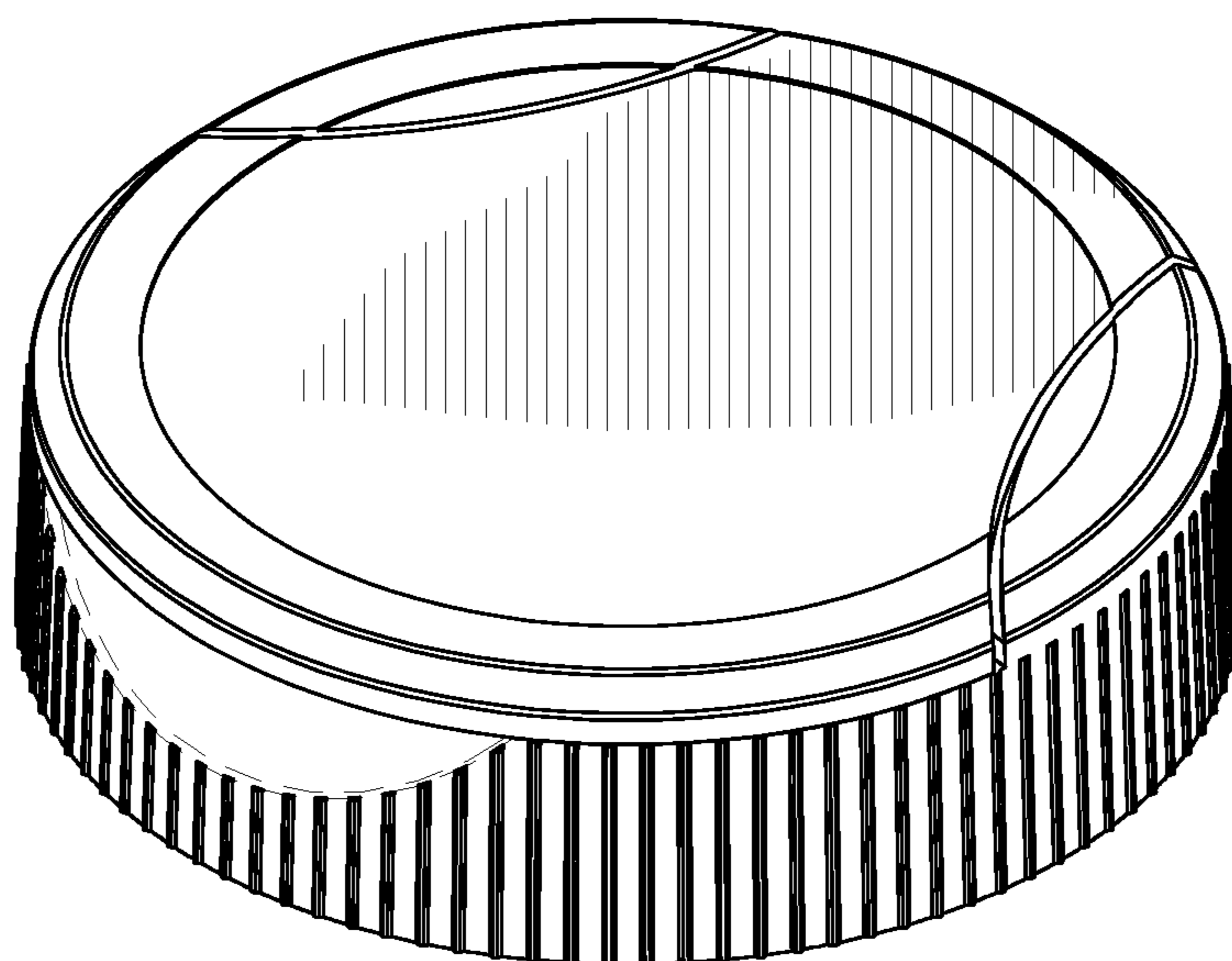


FIG. 8

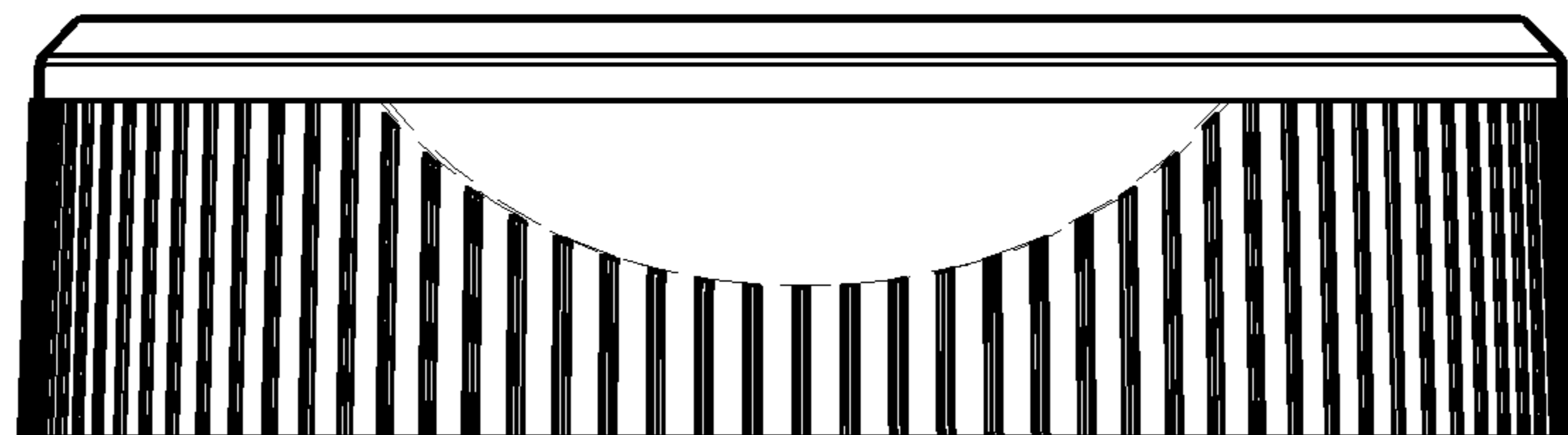


FIG. 9

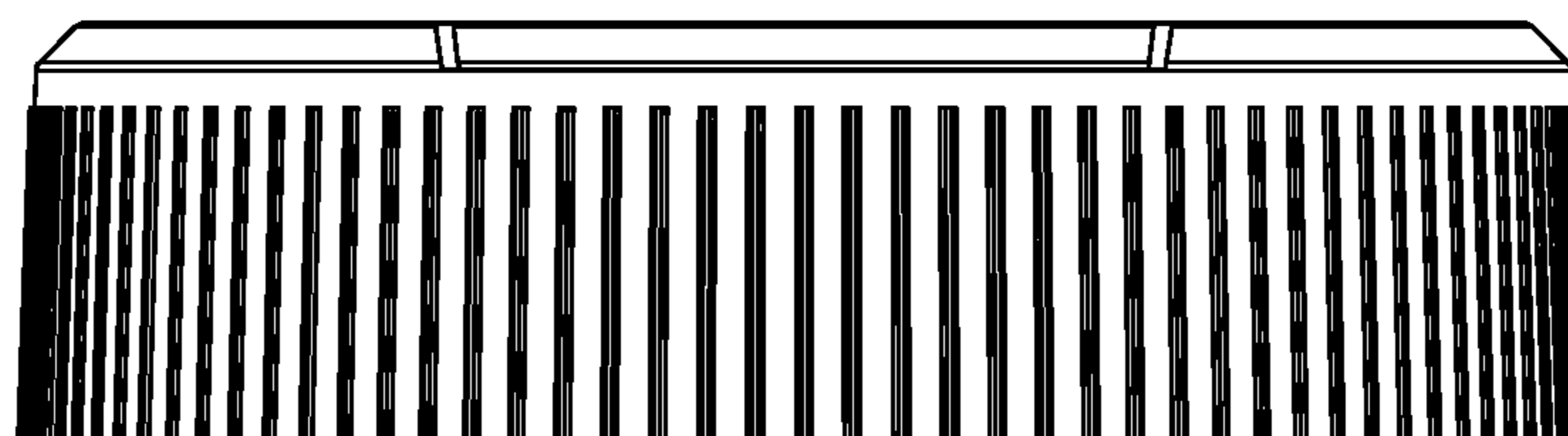


FIG. 10

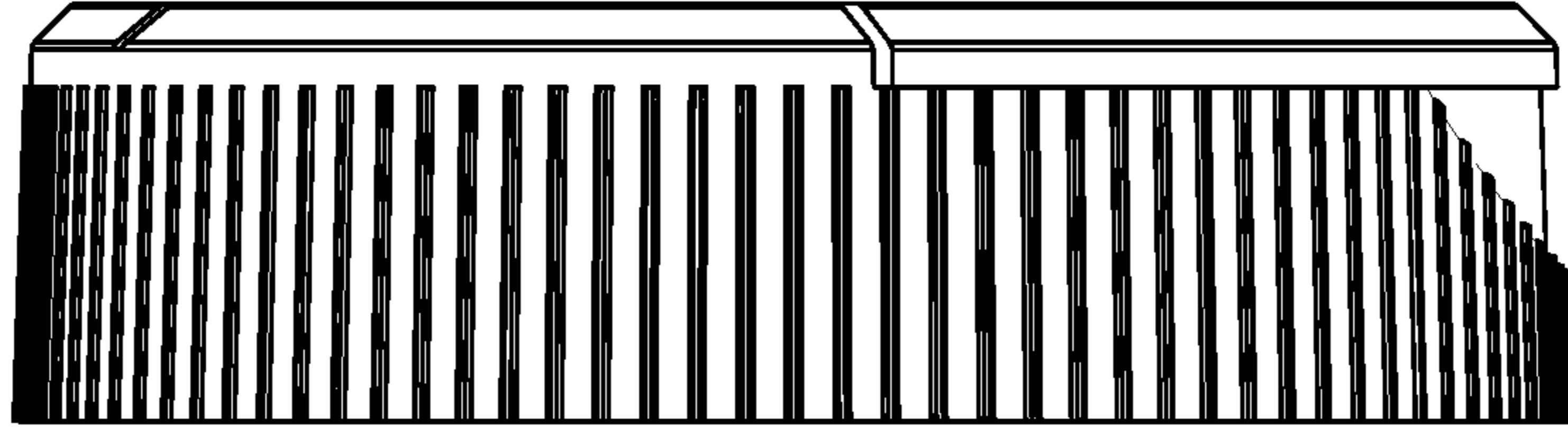


FIG. 11

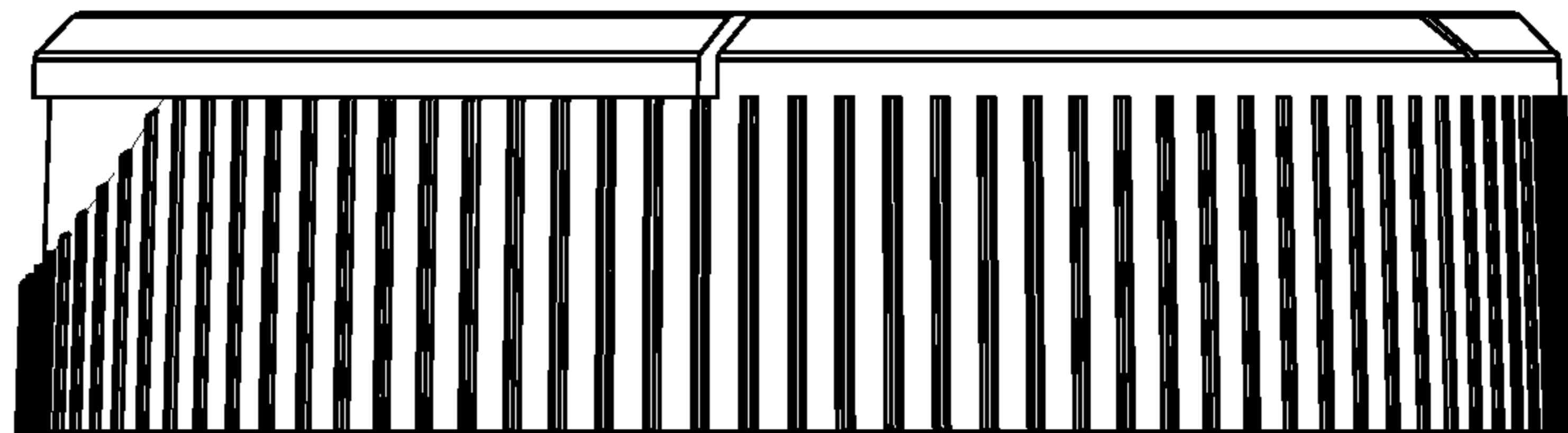


FIG. 12

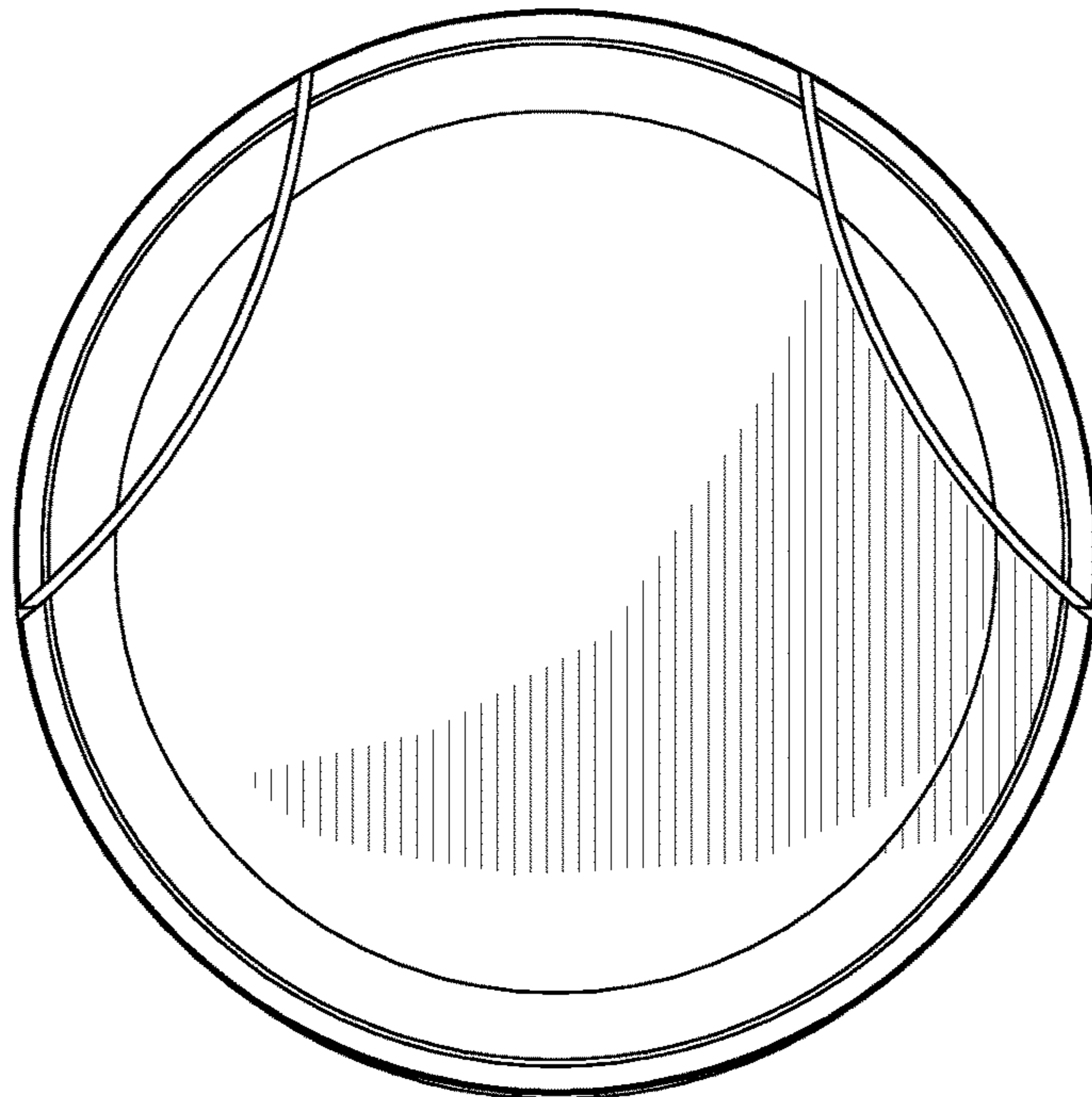


FIG. 13

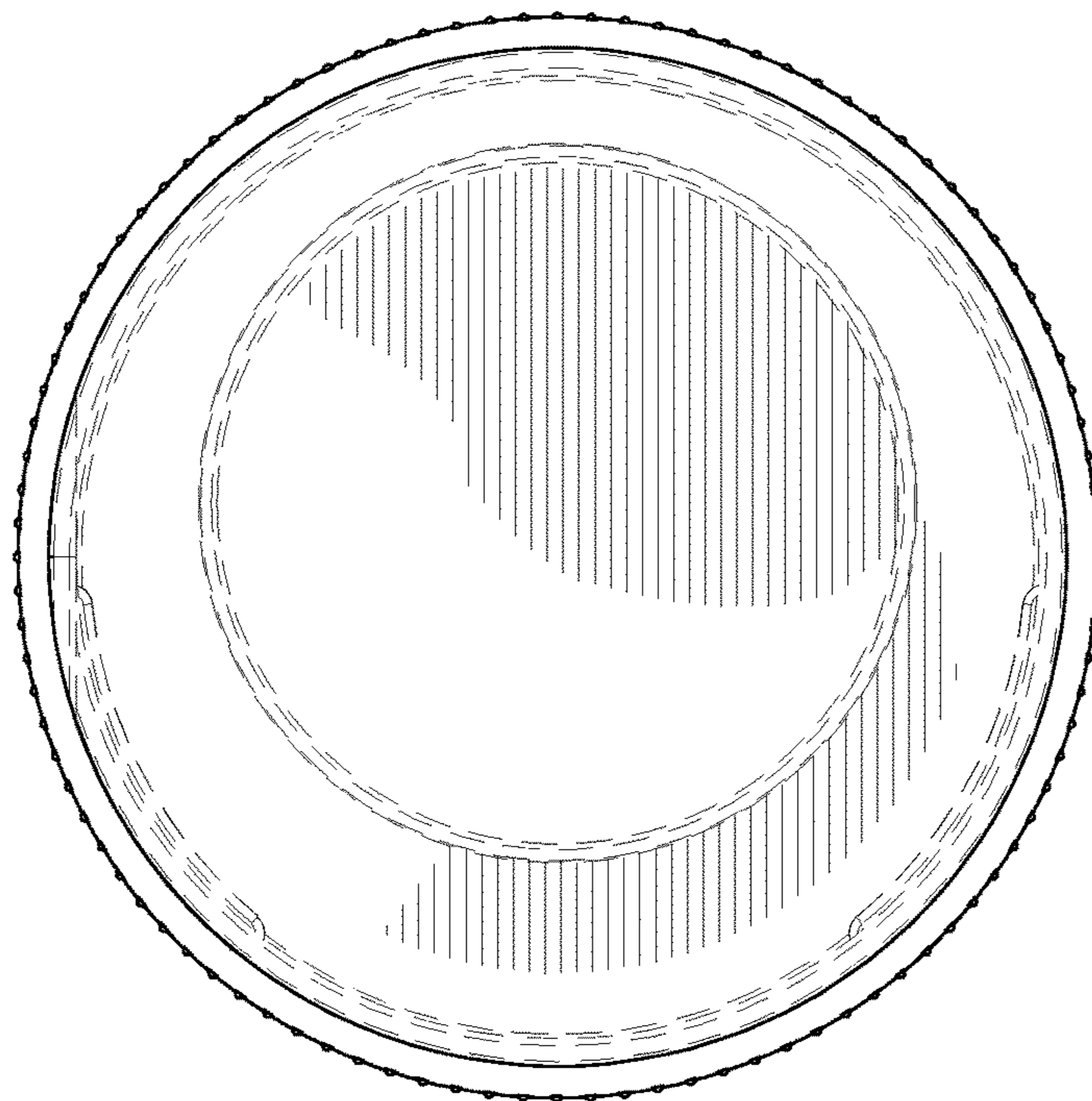


FIG. 14

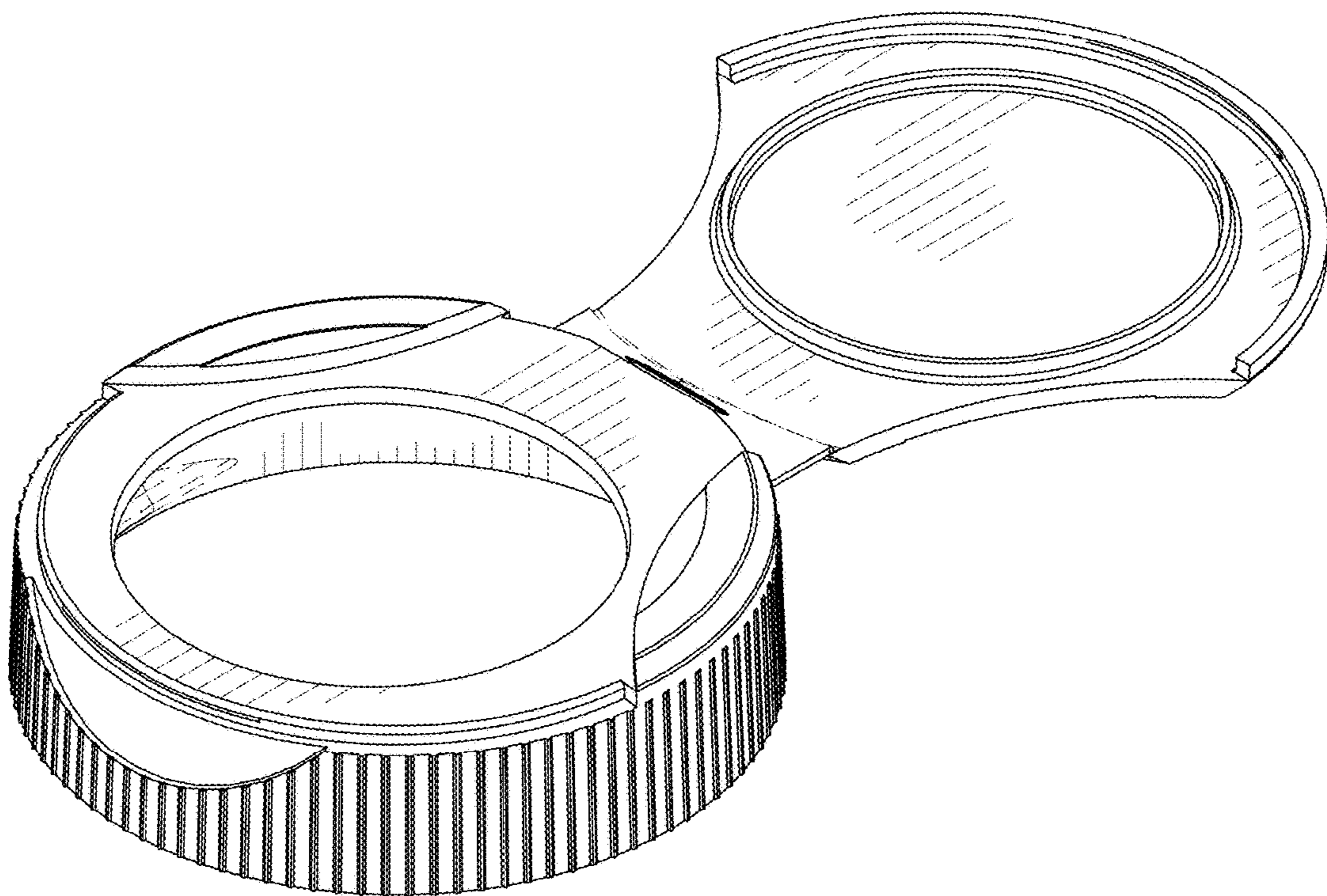


FIG. 15

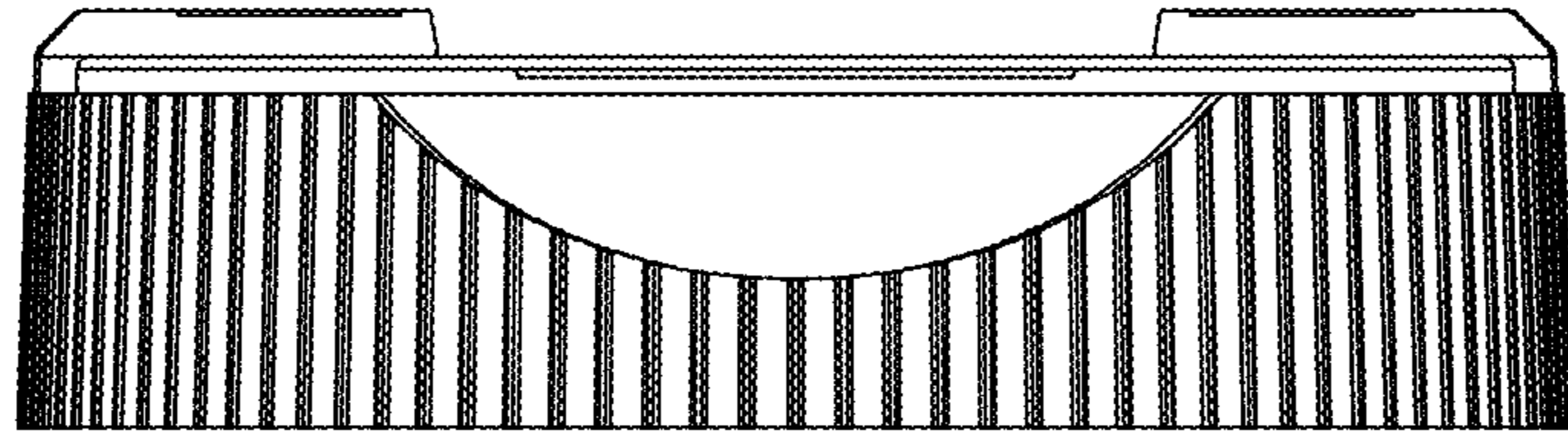


FIG. 16

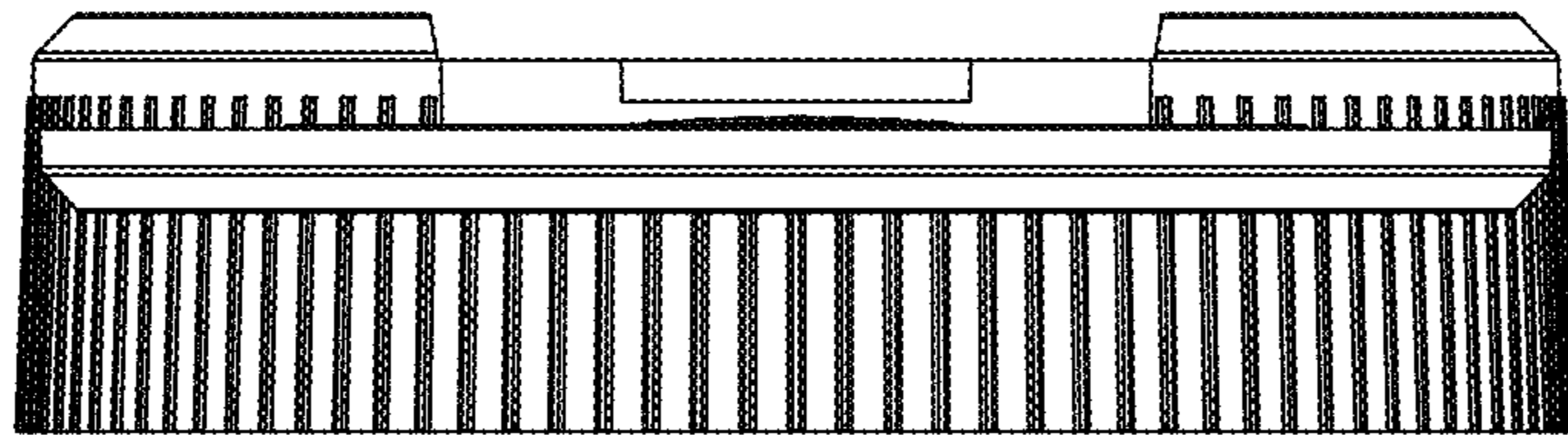


FIG. 17

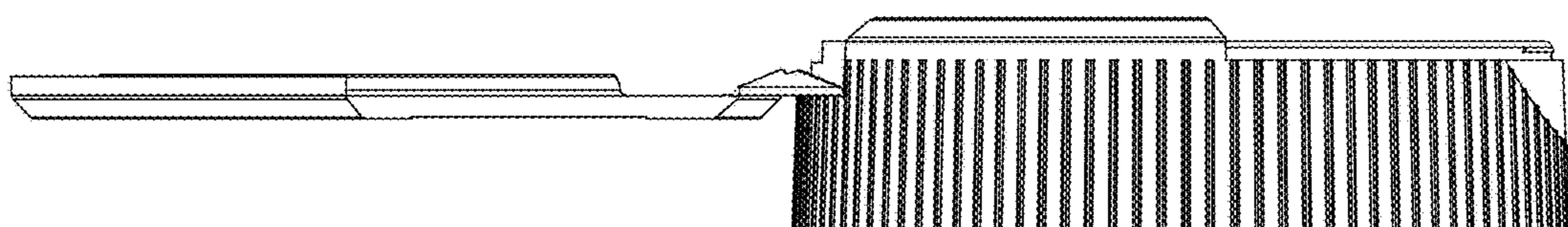


FIG. 18

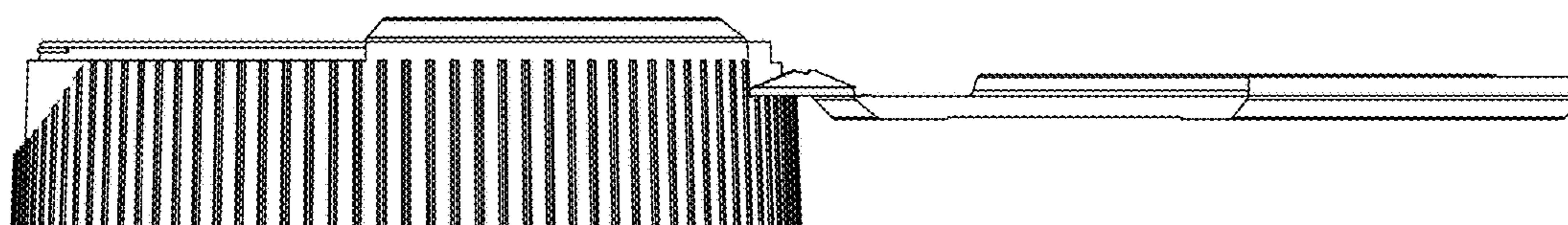


FIG. 19

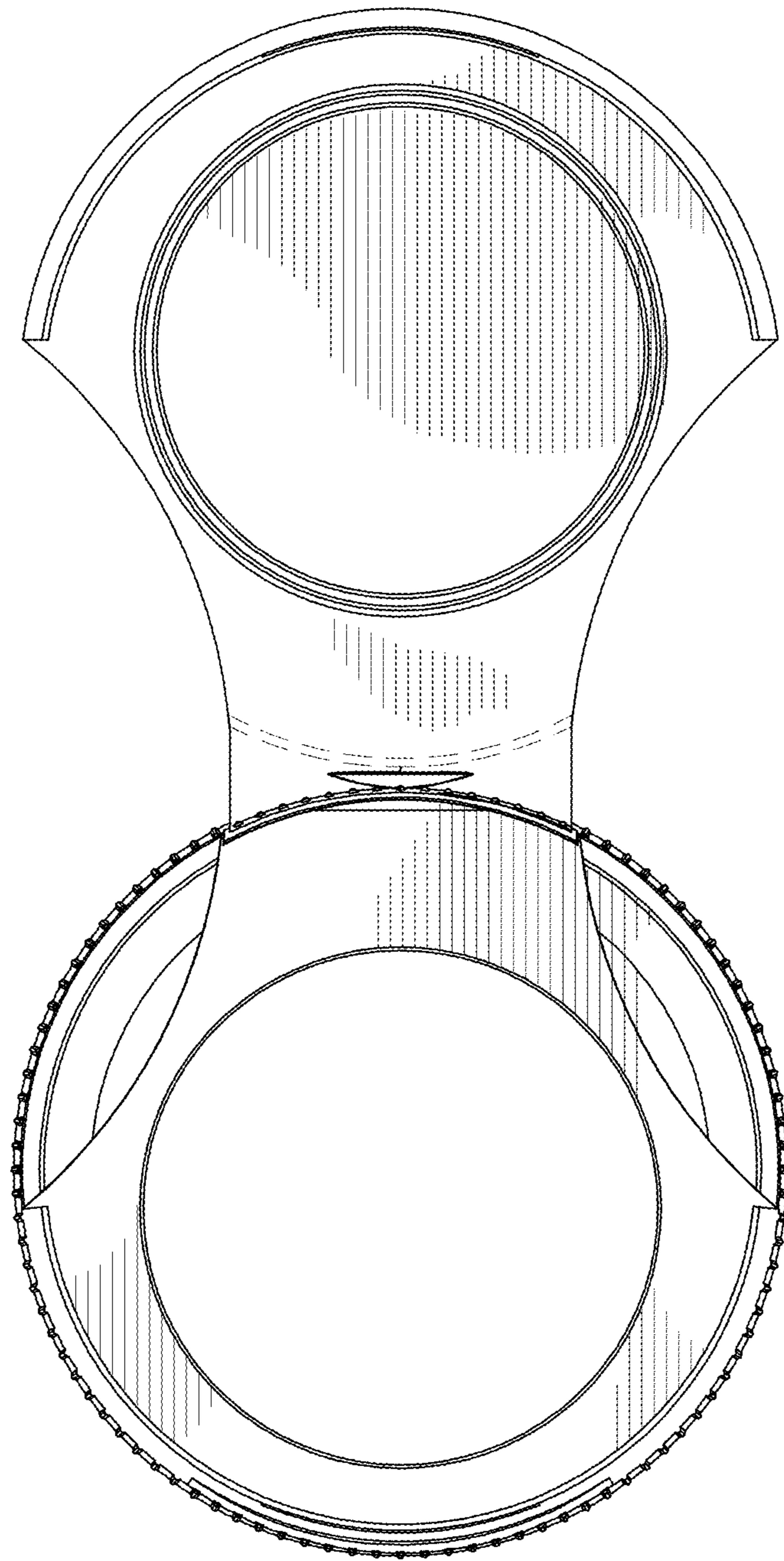


FIG. 20

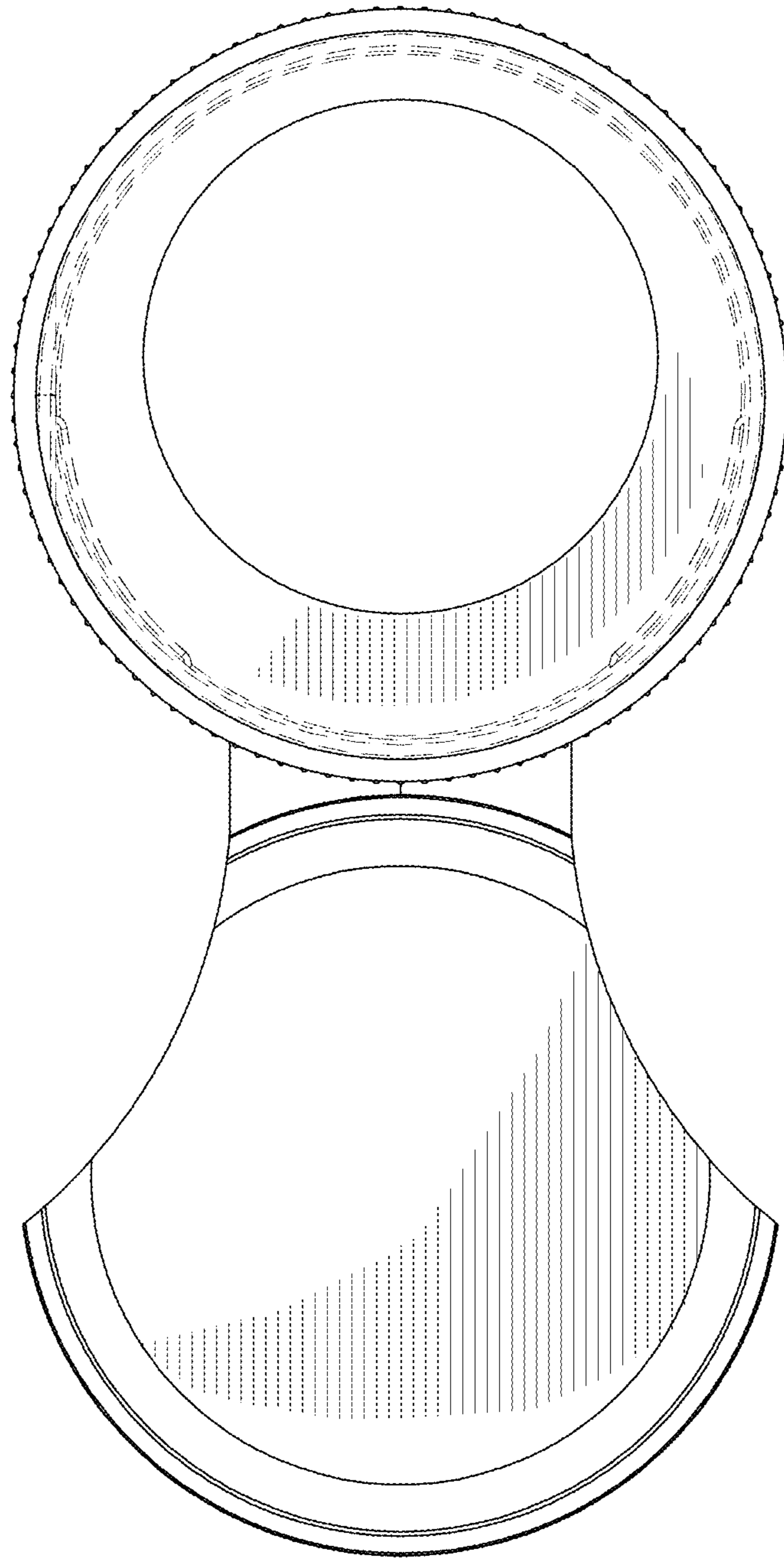


FIG. 21

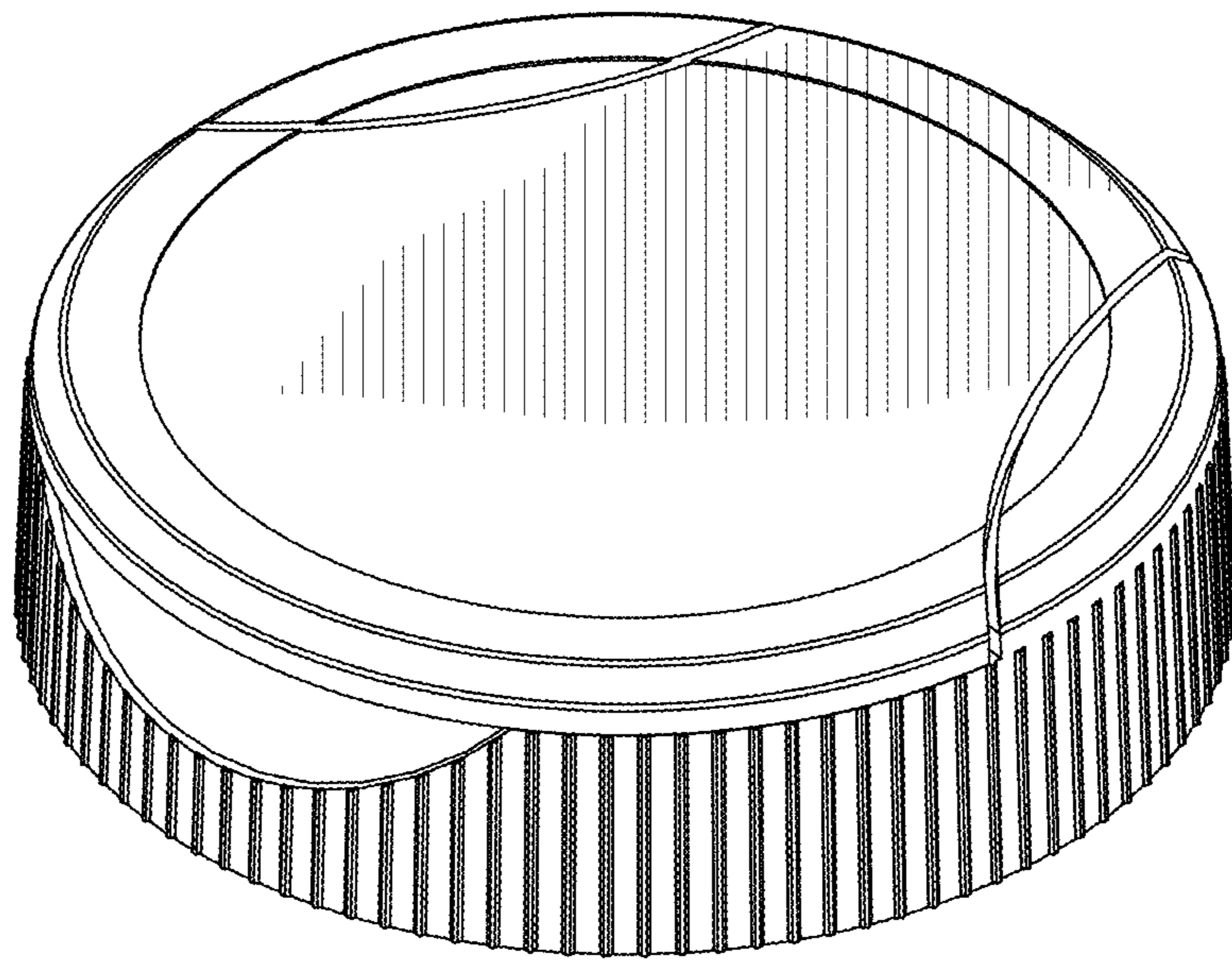


FIG. 22

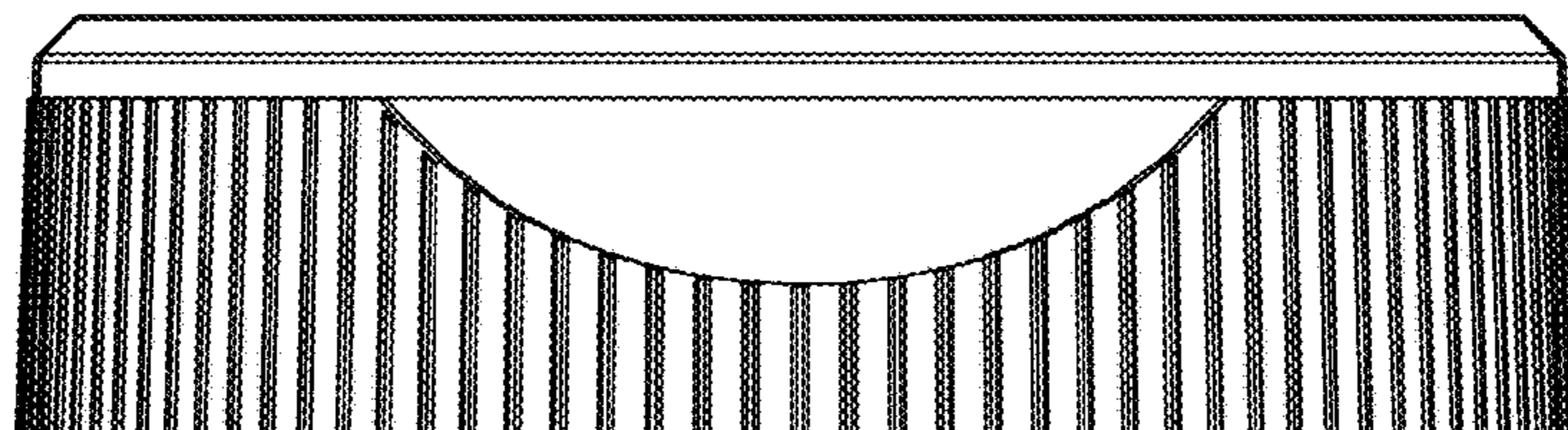


FIG. 23

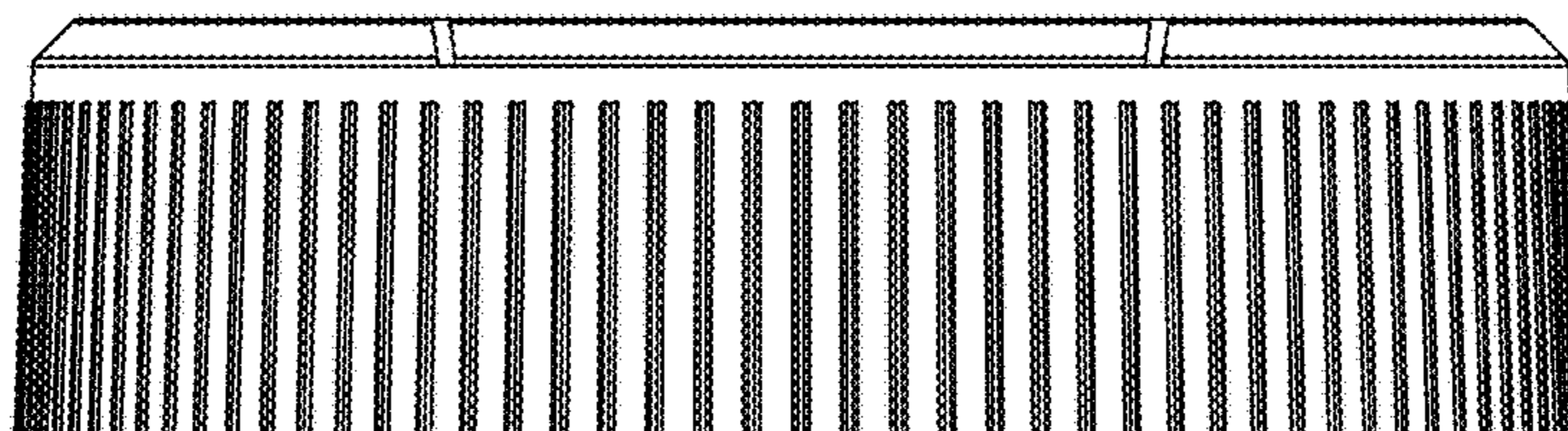


FIG. 24

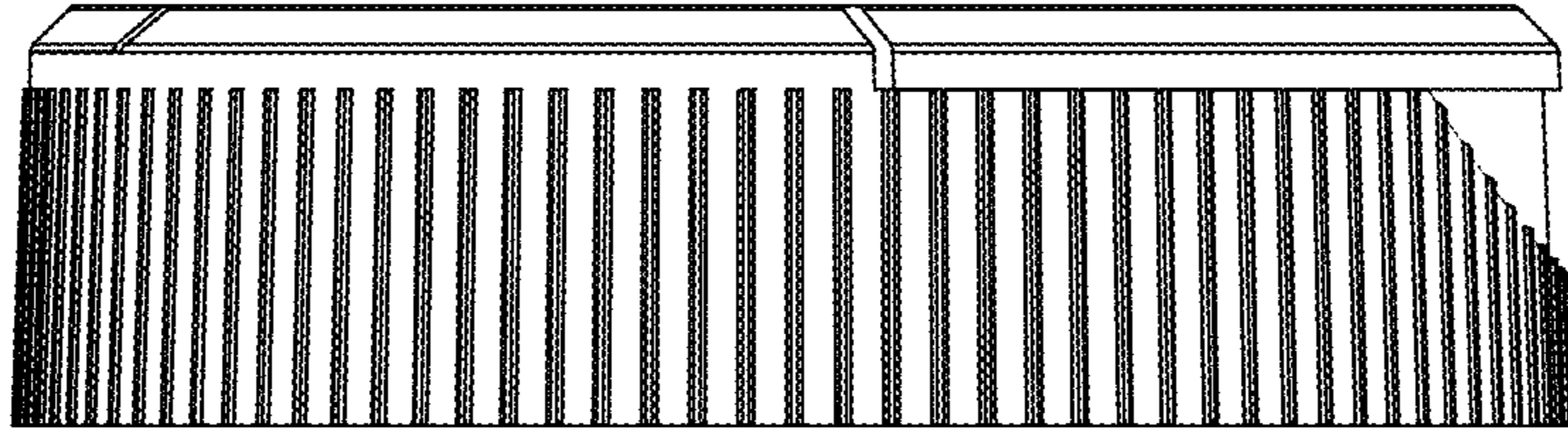


FIG. 25

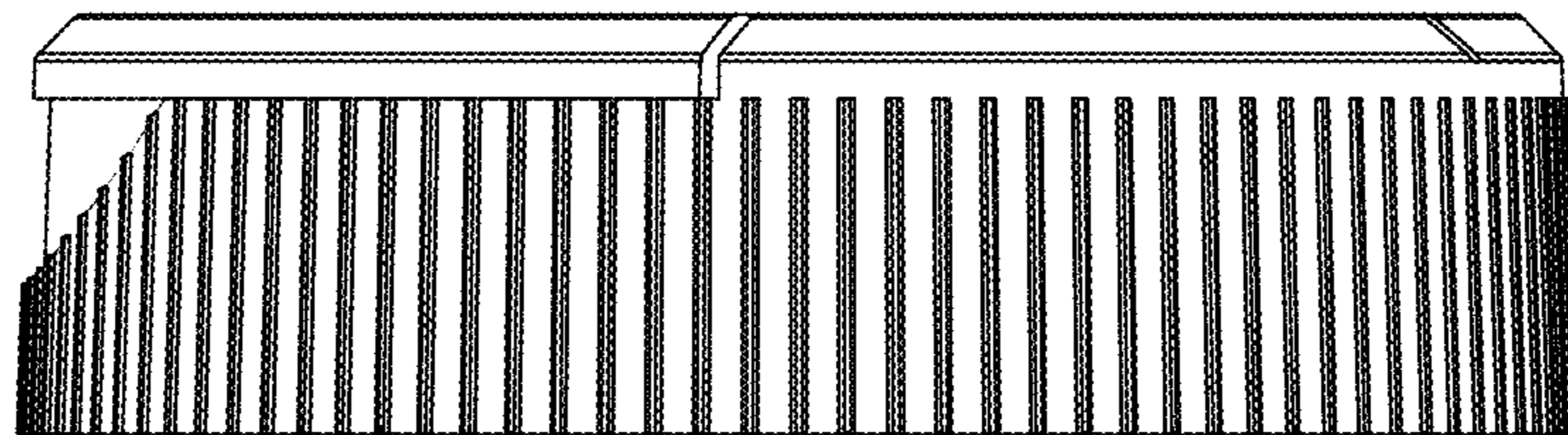


FIG. 26

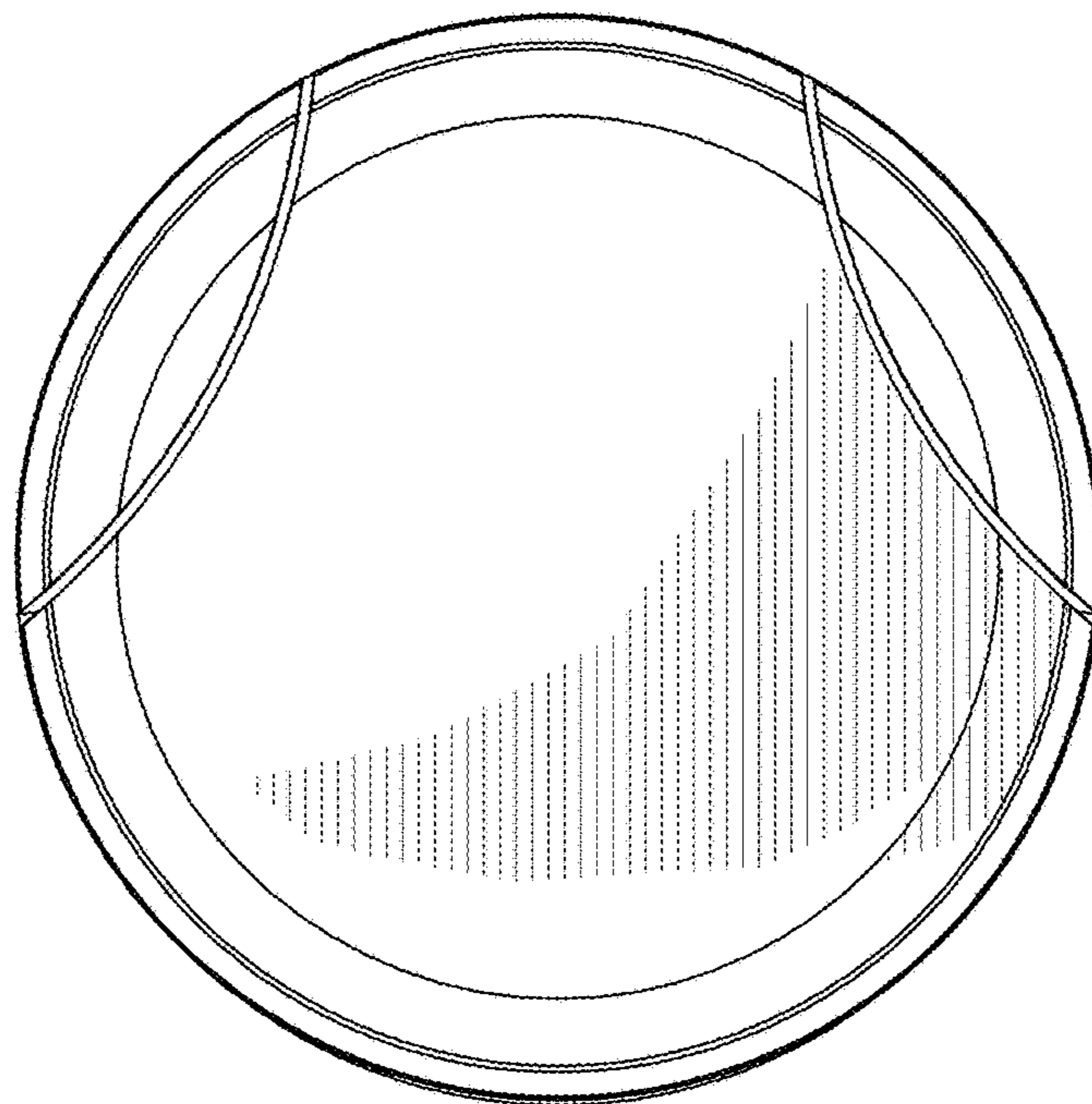


FIG. 27

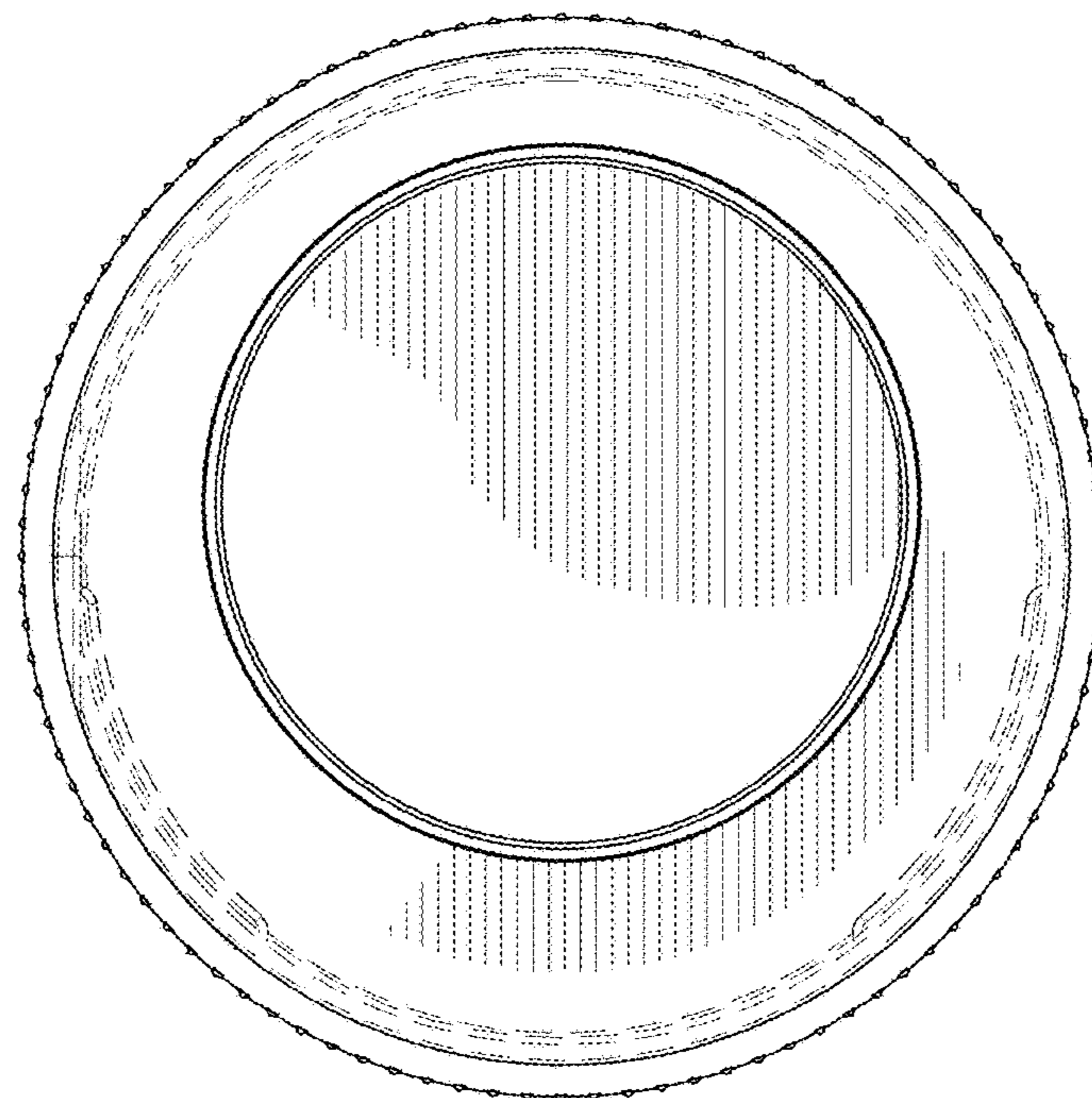


FIG. 28