



US00D772707S

(12) **United States Design Patent** (10) **Patent No.:** **US D772,707 S**
Accurso (45) **Date of Patent:** **** Nov. 29, 2016**

- (54) **BOTTLE CAP**
- (71) Applicant: **Abbott Laboratories**, Abbott Park, IL (US)
- (72) Inventor: **Roger W. Accurso**, Fremont, CA (US)
- (73) Assignee: **Abbott Laboratories**, Abbott Park, IL (US)
- (**) Term: **15 Years**
- (21) Appl. No.: **29/531,459**
- (22) Filed: **Jun. 25, 2015**

5,811,060 A	9/1998	Laguna	
D419,071 S *	1/2000	Peters	D9/449
D431,005 S	9/2000	Jentjen	
6,193,933 B1	2/2001	Sasaki et al.	
D466,400 S	12/2002	Garcia	
6,517,780 B1	2/2003	Cortelazzo	
6,523,709 B2	2/2003	Miceli et al.	
6,599,477 B1	7/2003	Miyake et al.	
D484,419 S	12/2003	Potocki et al.	
D492,596 S	7/2004	Miceli et al.	
D500,681 S	1/2005	Uchiyama	
D515,940 S	2/2006	Kratko	
D527,632 S	9/2006	Romer	
D571,199 S *	6/2008	Petrosino	D9/435
D574,708 S *	8/2008	Reed	D9/453
D584,632 S	1/2009	Lloyd et al.	
D596,491 S	7/2009	Rica	
D600,133 S	9/2009	Friedman et al.	

(Continued)

Related U.S. Application Data

- (63) Continuation of application No. 14/137,209, filed on Dec. 20, 2013.
- (60) Provisional application No. 61/780,355, filed on Mar. 13, 2013.
- (51) **LOC (10) Cl.** **09-07**
- (52) **U.S. Cl.**
USPC **D9/447**
- (58) **Field of Classification Search**
USPC D7/392.1; D9/434-436, 440, 443-445, D9/447, 452-454, 499, 560; D24/224, D24/229; 220/93, 210
CPC B01L 2300/044
See application file for complete search history.

(56) **References Cited**

U.S. PATENT DOCUMENTS

D240,595 S *	7/1976	Kress	D9/452
D280,385 S	9/1985	Dinand	
4,764,342 A	8/1988	Kelln et al.	
4,770,854 A	9/1988	Lyman	
5,262,049 A	11/1993	Ferkany	
5,413,246 A	5/1995	Godolphin et al.	
D363,429 S *	10/1995	Lee	D9/454

OTHER PUBLICATIONS

Make Your Own Gold Bars. 12' Green Gold Pan 5" #10 Mesh Screen & Bottle Snuffer-Panning Kit-Prospecting. 2016 [online], [site visited Feb. 10, 2016]. Available from Internet, <URL:http://www.makeyourowngoldbars.com/12-green-gold-pan-5-10-mesh-screen-bottle-snuffer-panning-kit-prospecting>.*

Primary Examiner — Robert M Spear
Assistant Examiner — Darcey E Heflin
(74) *Attorney, Agent, or Firm* — Edward J. Baba; Bozicevic, Field & Francis LLP

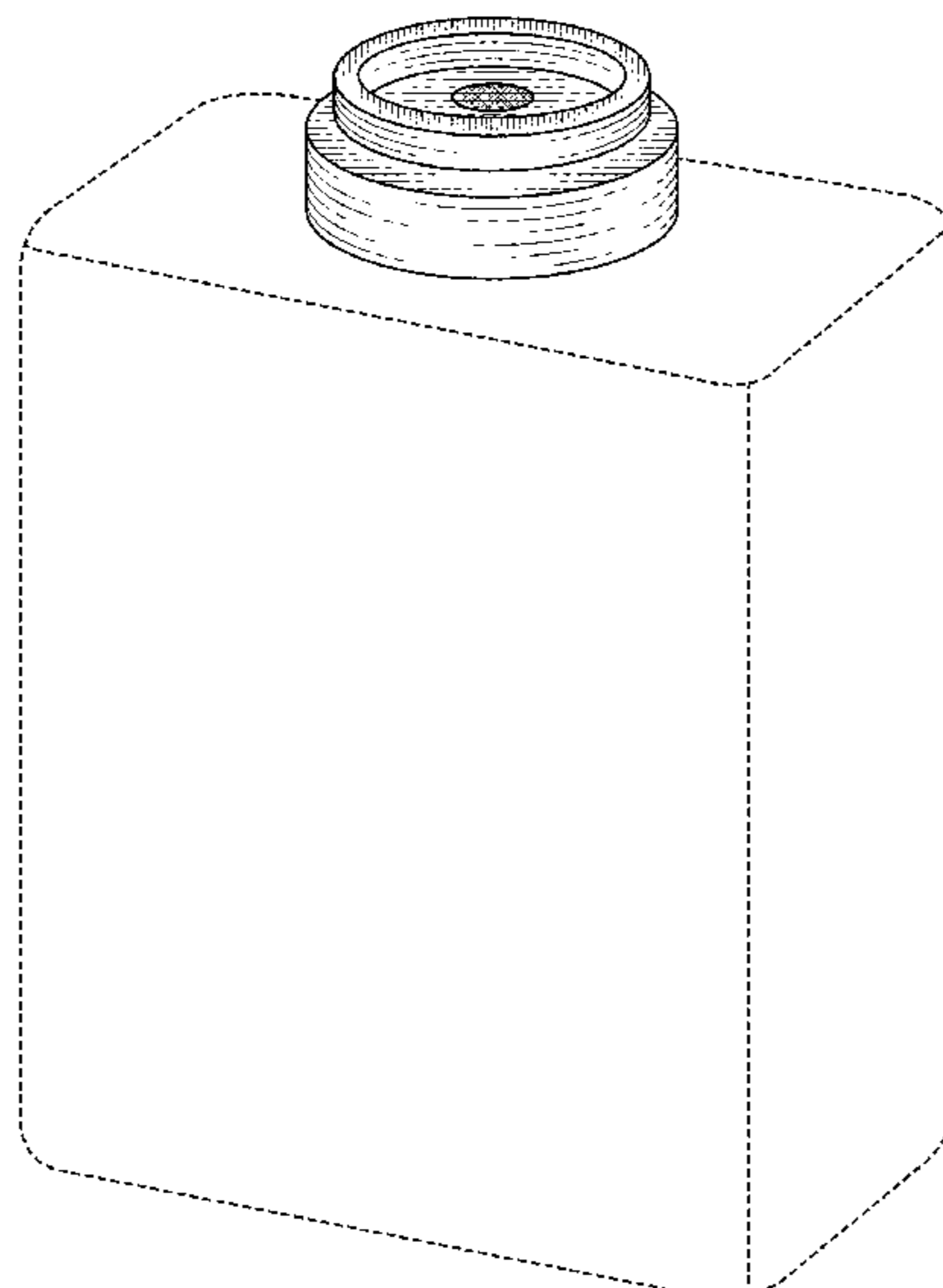
(57) **CLAIM**

The ornamental design for a bottle cap, as shown and described.

DESCRIPTION

The sole FIGURE is a perspective view of a bottle cap. In the drawing, the broken lines depict environmental subject matter only that forms no part of the claim.

1 Claim, 1 Drawing Sheet



(56)

References Cited

U.S. PATENT DOCUMENTS

7,799,560 B2 9/2010 Wilson et al.
 8,318,111 B2 11/2012 Mingerink et al.
 8,337,780 B2 12/2012 Gaskins et al.
 D680,001 S 4/2013 Miceli et al.
 D680,004 S 4/2013 Lecetre et al.
 D680,877 S 4/2013 Ghandour
 D689,774 S 9/2013 Ford et al.
 D691,890 S 10/2013 Ford et al.
 8,652,424 B2 2/2014 Unger et al.
 D709,766 S 7/2014 Miceli et al.
 D712,739 S * 9/2014 Lapsker D9/435
 8,881,988 B2 11/2014 Miceli et al.

D723,917 S * 3/2015 Koffel D9/447
 D732,959 S * 6/2015 Branstad D9/454
 D751,408 S 3/2016 Baron et al.
 D751,899 S 3/2016 Chu
 2003/0231988 A1 12/2003 Chiarin
 2004/0013575 A1 1/2004 Stevens et al.
 2007/0246438 A1 10/2007 Chen
 2009/0028752 A1 1/2009 Bala
 2010/0254859 A1 10/2010 Chiarin et al.
 2012/0252134 A1 10/2012 Galiano
 2013/0045540 A1 2/2013 Collier et al.
 2013/0209993 A1 8/2013 Aronowitz
 2014/0263316 A1 * 9/2014 Accurso B65D 55/14
 220/210

* cited by examiner

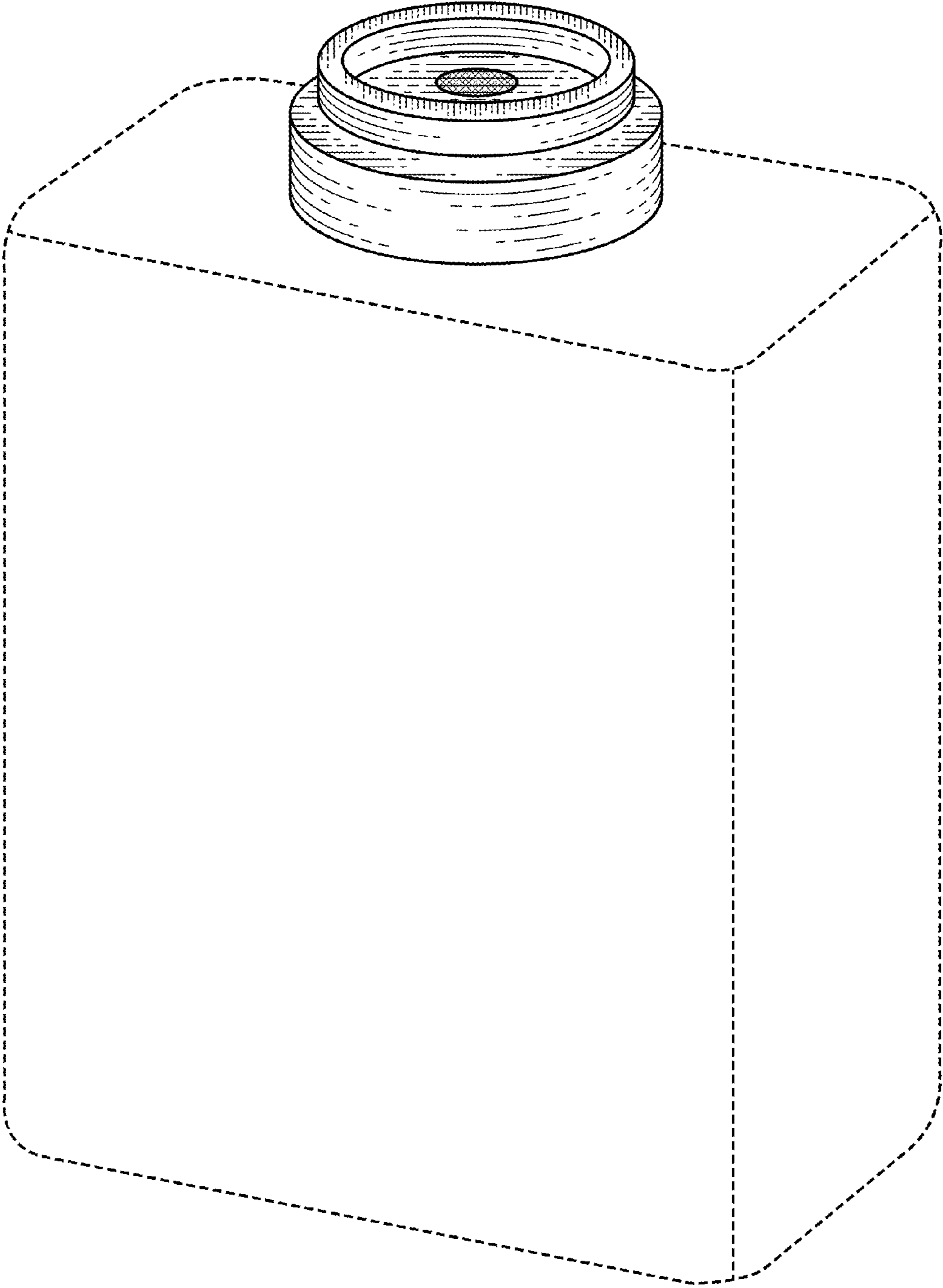


FIG. 1