



US00D772705S

(12) **United States Design Patent** (10) **Patent No.:** **US D772,705 S**  
**Sanders** (45) **Date of Patent:** **\*\* Nov. 29, 2016**

(54) **DISPENSING CUP**

B05B 11/3029; B05B 11/3056; A45B 9/028  
See application file for complete search history.

(71) Applicant: **The Procter & Gamble Company,**  
Cincinnati, OH (US)

(56) **References Cited**

(72) Inventor: **Michael David Sanders,** Cincinnati,  
OH (US)

U.S. PATENT DOCUMENTS

(73) Assignee: **The Procter & Gamble Company,**  
Cincinnati, OH (US)

4,136,202 A \* 1/1979 Favre ..... B65D 85/8043  
206/0.5  
D342,642 S \* 12/1993 Brazis ..... D7/316

(Continued)

(\*\*) Term: **15 Years**

*Primary Examiner* — Thomas Johannes  
*Assistant Examiner* — Catherine Posthauer  
(74) *Attorney, Agent, or Firm* — Gary J. Foose

(21) Appl. No.: **29/535,176**

(57) **CLAIM**

(22) Filed: **Aug. 4, 2015**

The ornamental design for a dispensing cup, as shown and described.

**Related U.S. Application Data**

**DESCRIPTION**

(62) Division of application No. 29/419,394, filed on Apr. 27, 2012, now Pat. No. Des. 738,211.

(51) **LOC (10) Cl.** ..... **09-07**

(52) **U.S. Cl.**

USPC ..... **D9/445**; D9/434; D9/435

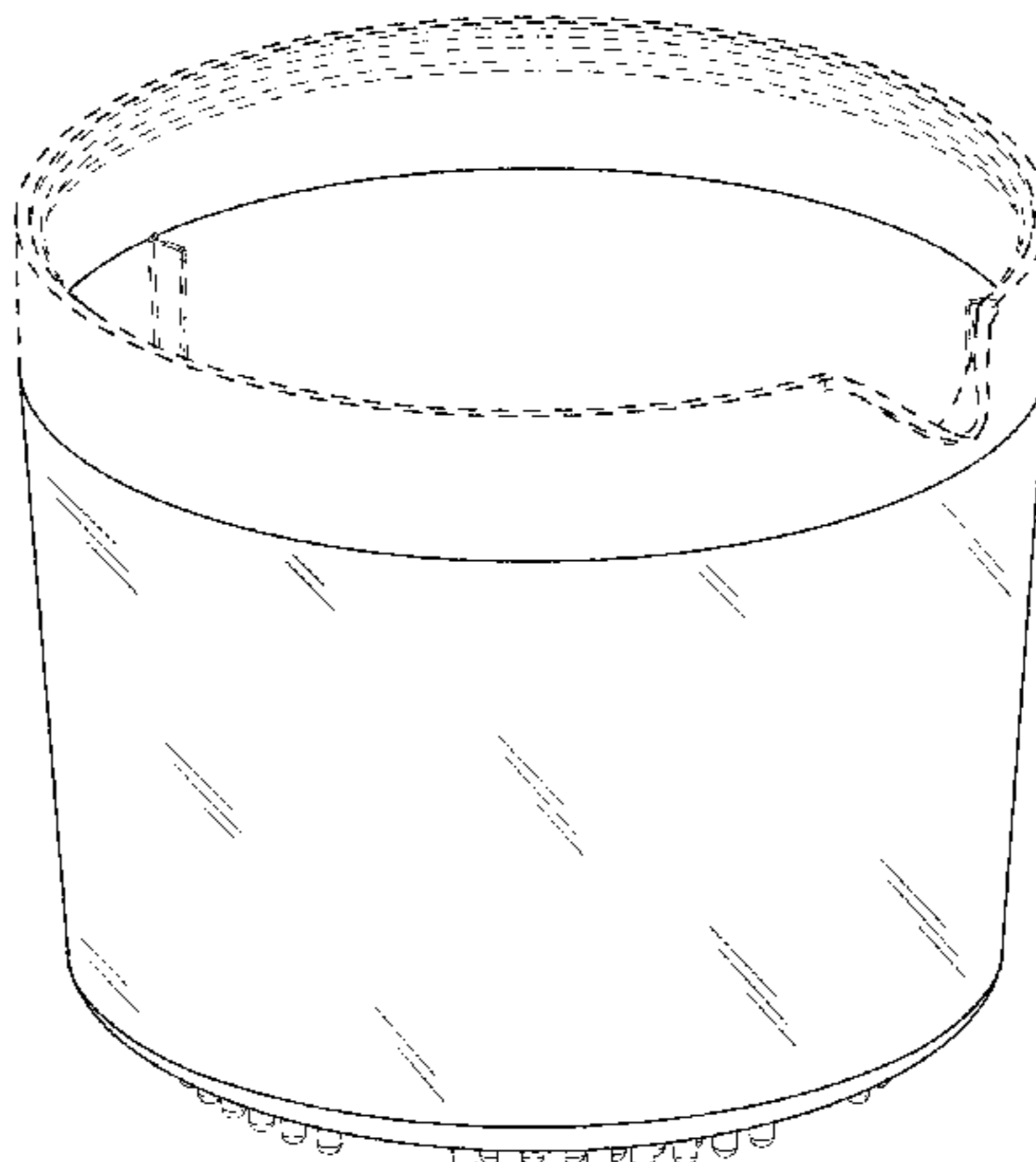
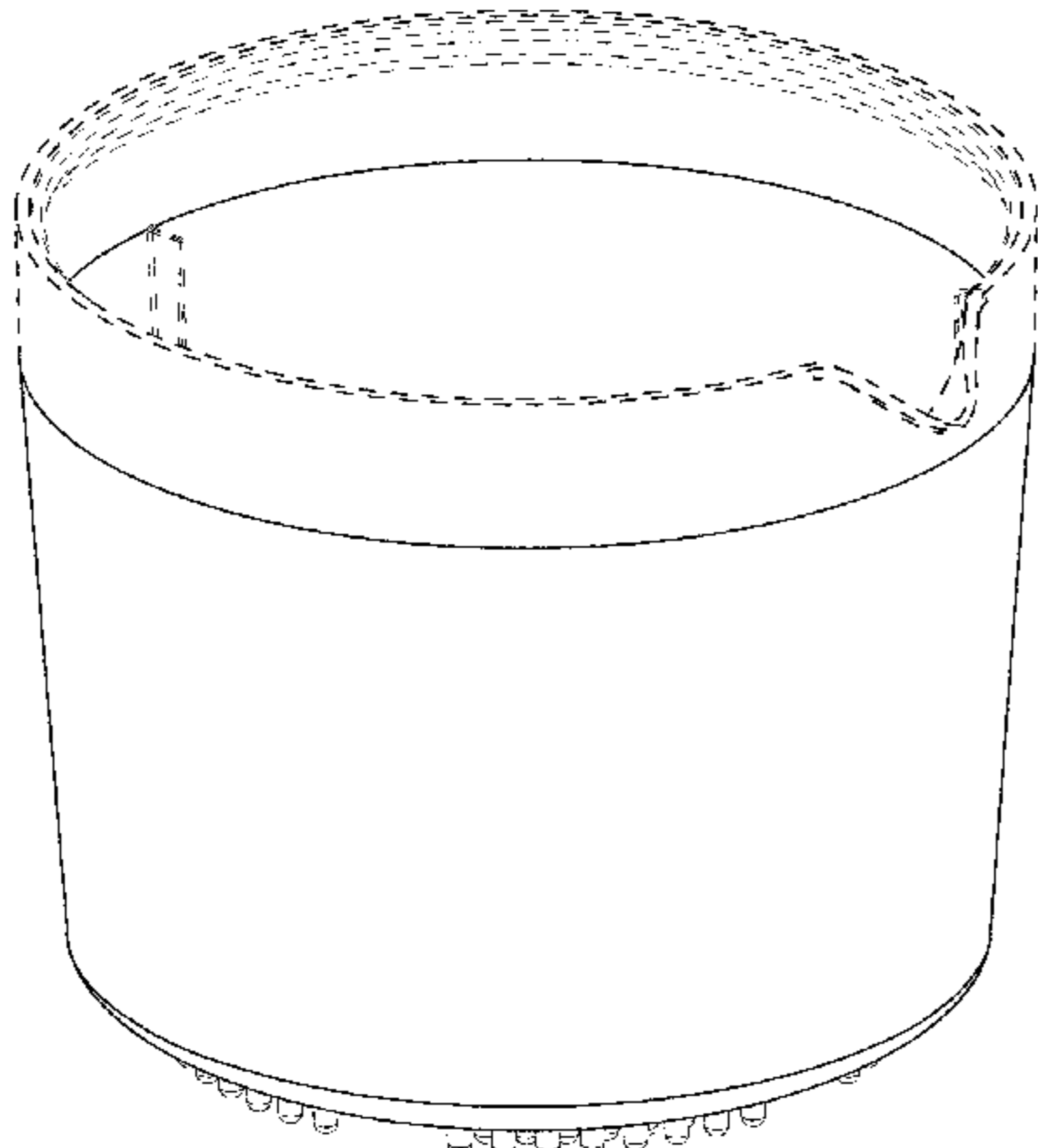
(58) **Field of Classification Search**

USPC ..... D3/29, 201, 202, 203.1, 203.2, 203.3, D3/215, 273, 275, 294; D4/114; D7/318, D7/319, 387, 391, 392.1, 397, 398, 510, D7/511, 534, 601, 602, 619.19, 630; D9/414, 415, 416, 417, 418, 428, D9/434-436, 439, 440, 445, 447, 449, 450, D9/452-454, 499, 500, 502-505; D19/187, 194, 179, 202, 203; D23/227, 259, 260, 261; D29/118, D29/119; 426/84; 220/660, 669, 675; 215/379, 392, 400; 134/6; 15/28, 29; D11/152; D24/224

CPC .. B65D 85/8043; B65D 51/02; B65D 51/04; B65D 47/122; B65D 50/041; B65D 25/00; B65D 25/40; B65D 25/42; B65D 25/46; B65D 25/48; B65D 25/77; B65D 39/00; B65D 39/0047; A45D 2040/0006; A45D 2040/093; A47G 18/22; A47G 18/23; B05B 11/059; B05B 11/3005; B05B 11/3028;

FIG. 1 is a perspective view of an embodiment of a dispensing cup;  
FIG. 2 is an alternative perspective view of the dispensing cup of FIG. 1;  
FIG. 3 is a side view of the dispensing cup of FIG. 1;  
FIG. 4 is a rear view of the dispensing cup of FIG. 1;  
FIG. 5 is a side view of the dispensing cup of FIG. 1, opposite the side view shown in FIG. 3;  
FIG. 6 is a front view of the dispensing cup of FIG. 1;  
FIG. 7 is a top view of the dispensing cup of FIG. 1;  
FIG. 8 is a bottom view of the dispensing cup of FIG. 1;  
FIG. 9 is a perspective view of an alternative embodiment of a dispensing cup;  
FIG. 10 is an alternative perspective view of the dispensing cup of FIG. 9;  
FIG. 11 is a side view of the dispensing cup of FIG. 9;  
FIG. 12 is a rear view of the dispensing cup of FIG. 9;  
FIG. 13 is a side view of the dispensing cup of FIG. 9, opposite the side view shown in FIG. 11;  
FIG. 14 is a front view of the dispensing cup of FIG. 9;  
FIG. 15 is a top view of the dispensing cup of FIG. 9; and, FIG. 16 is a bottom view of the dispensing cup of FIG. 9. The broken lines are shown for the purpose of illustrating parts of the dispensing cup that form no part of the claim.

**1 Claim, 16 Drawing Sheets**



(56)

References Cited

U.S. PATENT DOCUMENTS

D404,303 S \* 1/1999 Webster ..... D9/443  
 D474,110 S \* 5/2003 Sweeney ..... D9/425  
 D573,414 S \* 7/2008 Bellon ..... D7/602  
 D579,369 S \* 10/2008 Spataro ..... D10/113.2  
 D642,080 S \* 7/2011 Schmitt ..... D10/46.2  
 D652,266 S \* 1/2012 Smyers ..... D7/630  
 D654,792 S \* 2/2012 Bertelsen ..... D9/436  
 D660,694 S \* 5/2012 Mongeon ..... D9/445  
 D665,663 S \* 8/2012 Krupa ..... D9/425  
 D669,814 S \* 10/2012 Plucinski ..... D11/152  
 D680,320 S \* 4/2013 Kryklywicz ..... D3/215  
 D689,364 S \* 9/2013 Sanders ..... D9/436  
 D701,120 S \* 3/2014 Sanders ..... D9/436

D739,038 S \* 9/2015 Perry ..... D24/224  
 D739,295 S \* 9/2015 Thuma ..... D11/152  
 D746,641 S \* 1/2016 Panone ..... D7/602  
 9,260,239 B2 \* 2/2016 Amrein ..... B65D 85/8043  
 D751,385 S \* 3/2016 Rapparini ..... D9/416  
 D753,954 S \* 4/2016 Schreiber ..... D7/400  
 2011/0183048 A1 \* 7/2011 Noble ..... A23F 5/32  
 426/122  
 2011/0185911 A1 \* 8/2011 Rapparini ..... B65D 85/8043  
 99/295  
 2011/0311296 A1 \* 12/2011 Chawla ..... A46B 9/028  
 401/137  
 2012/0318805 A1 \* 12/2012 Leser ..... B65D 3/14  
 220/592.17  
 2015/0132441 A1 \* 5/2015 Accursi ..... B65D 85/8046  
 426/77

\* cited by examiner

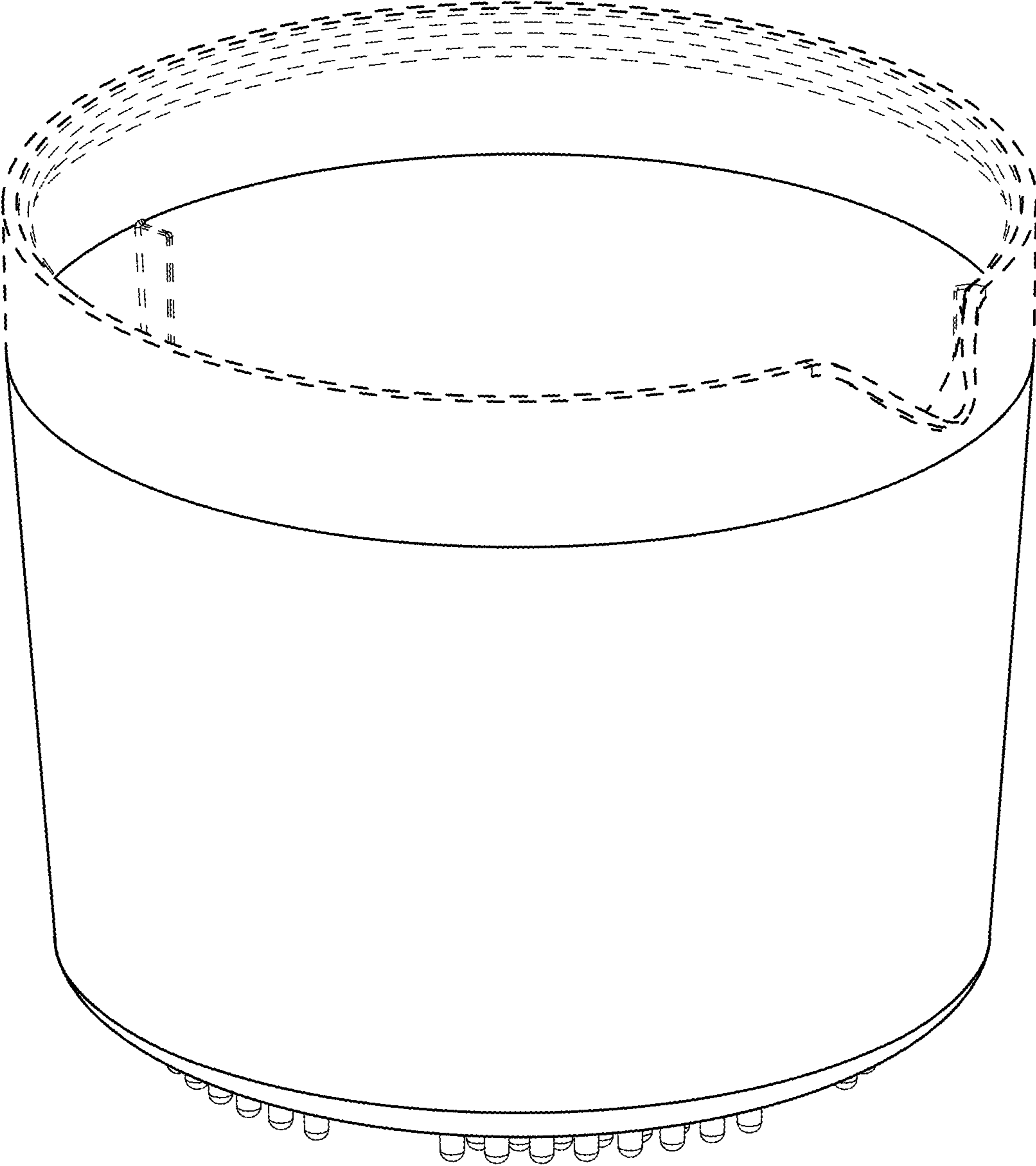


Fig. 1

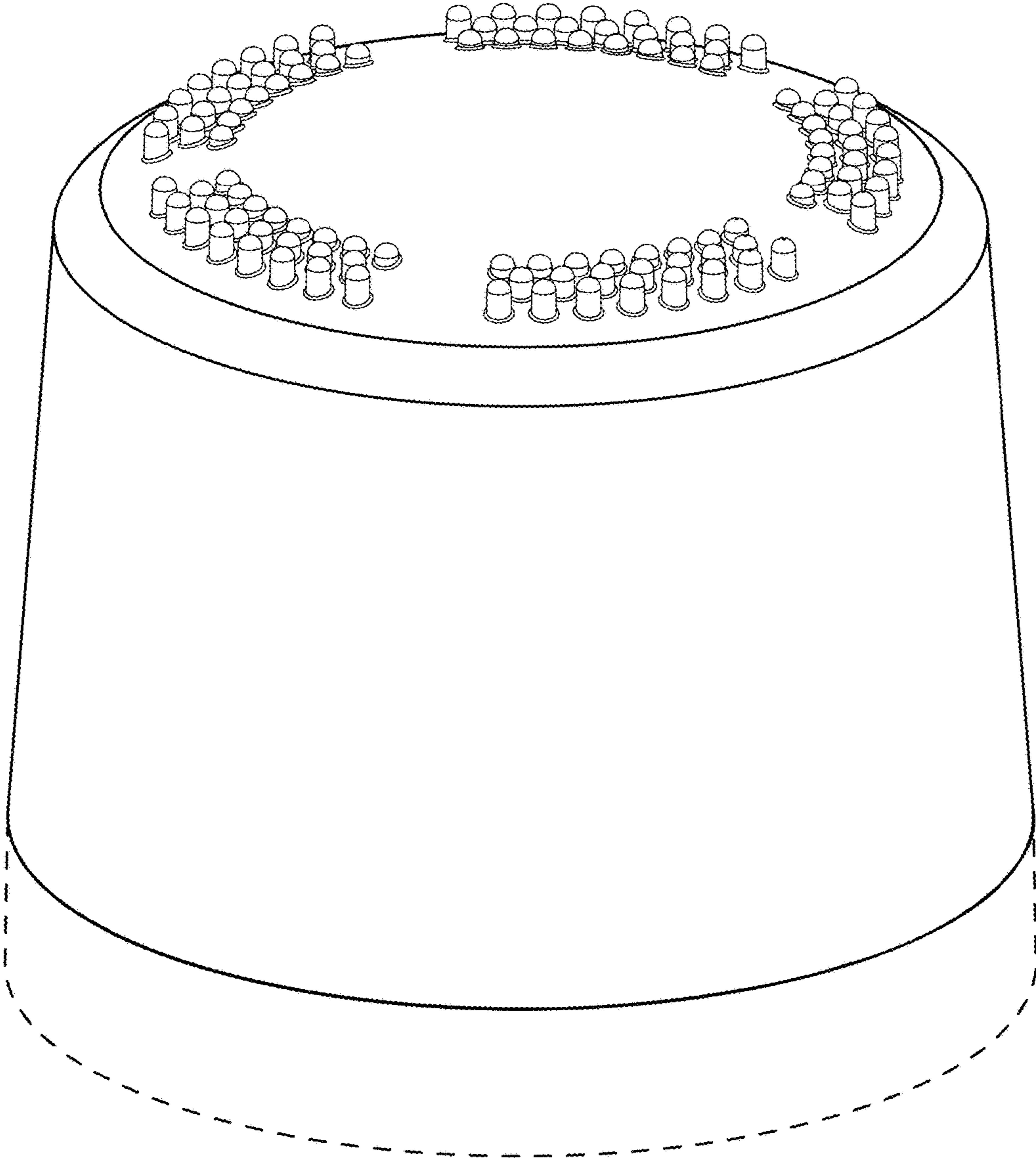


Fig. 2

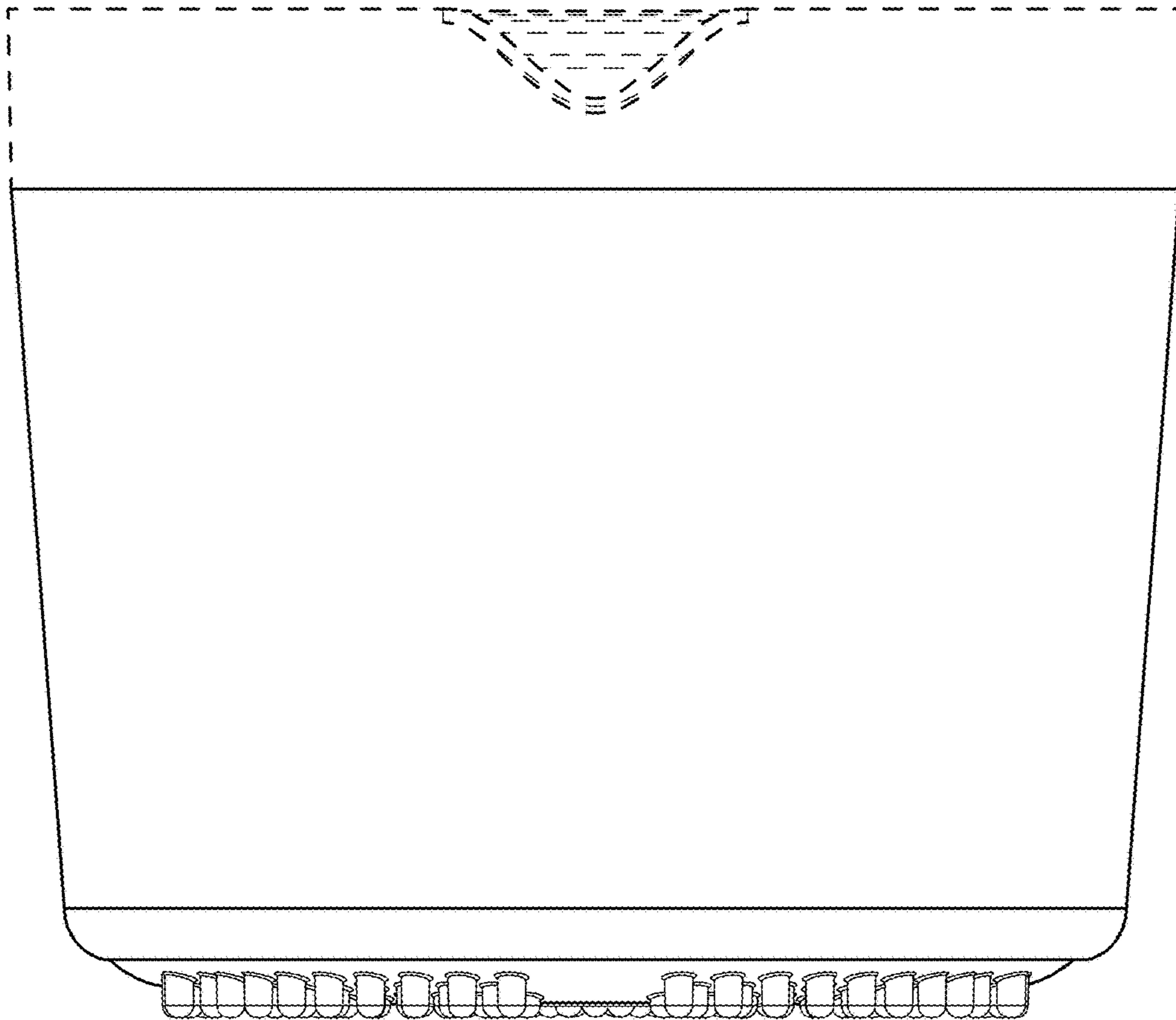


Fig. 3

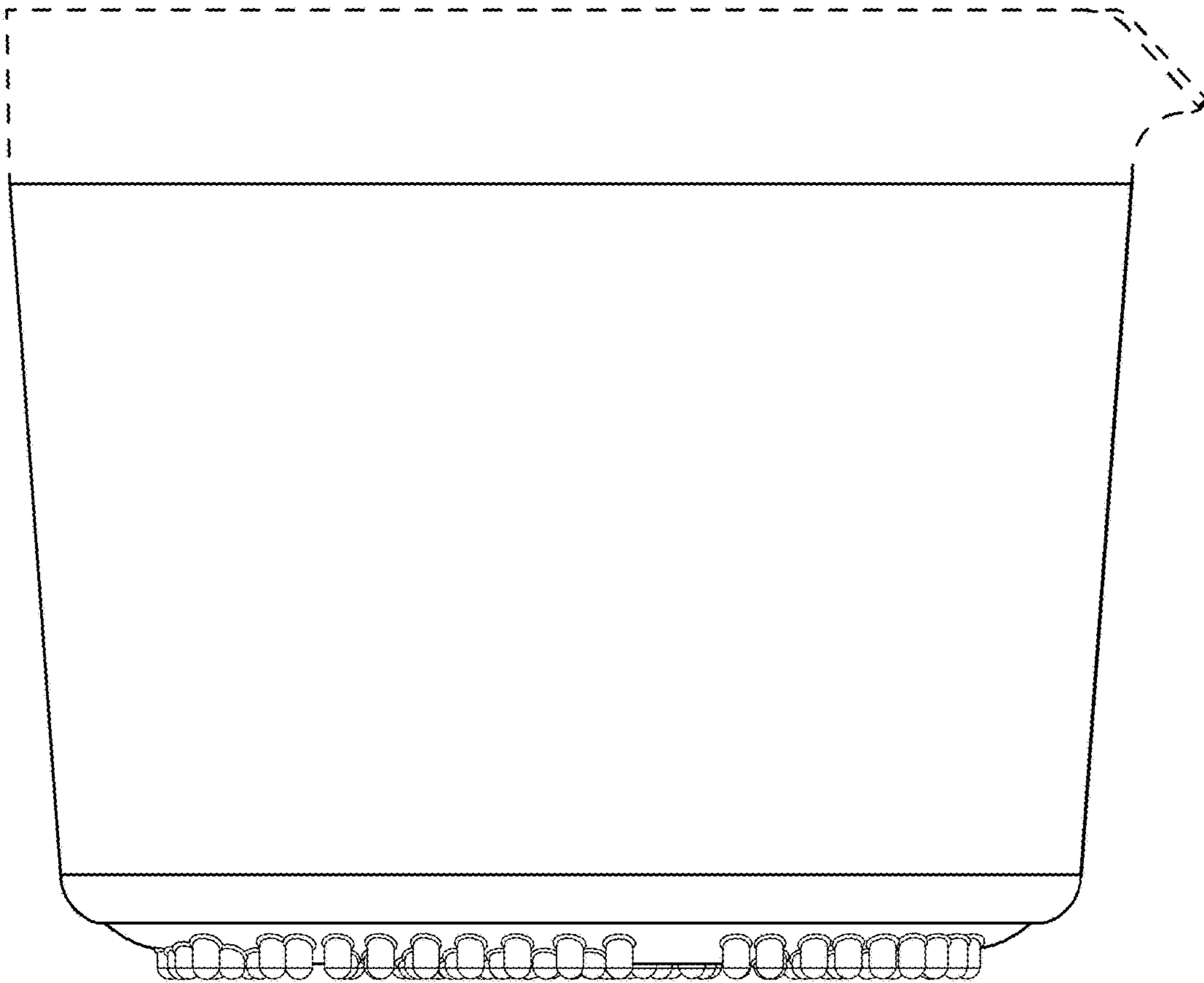


Fig. 4

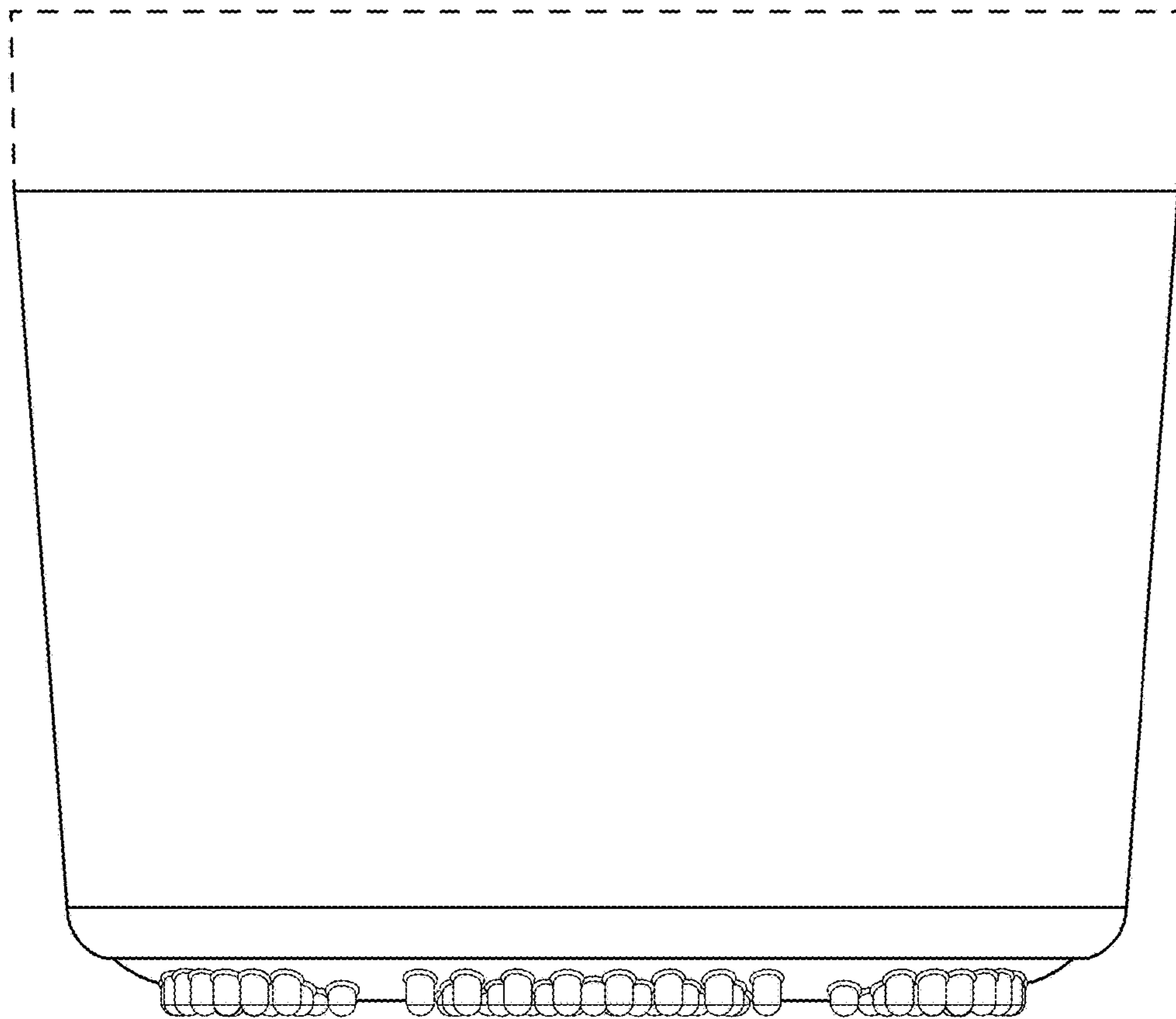


Fig. 5

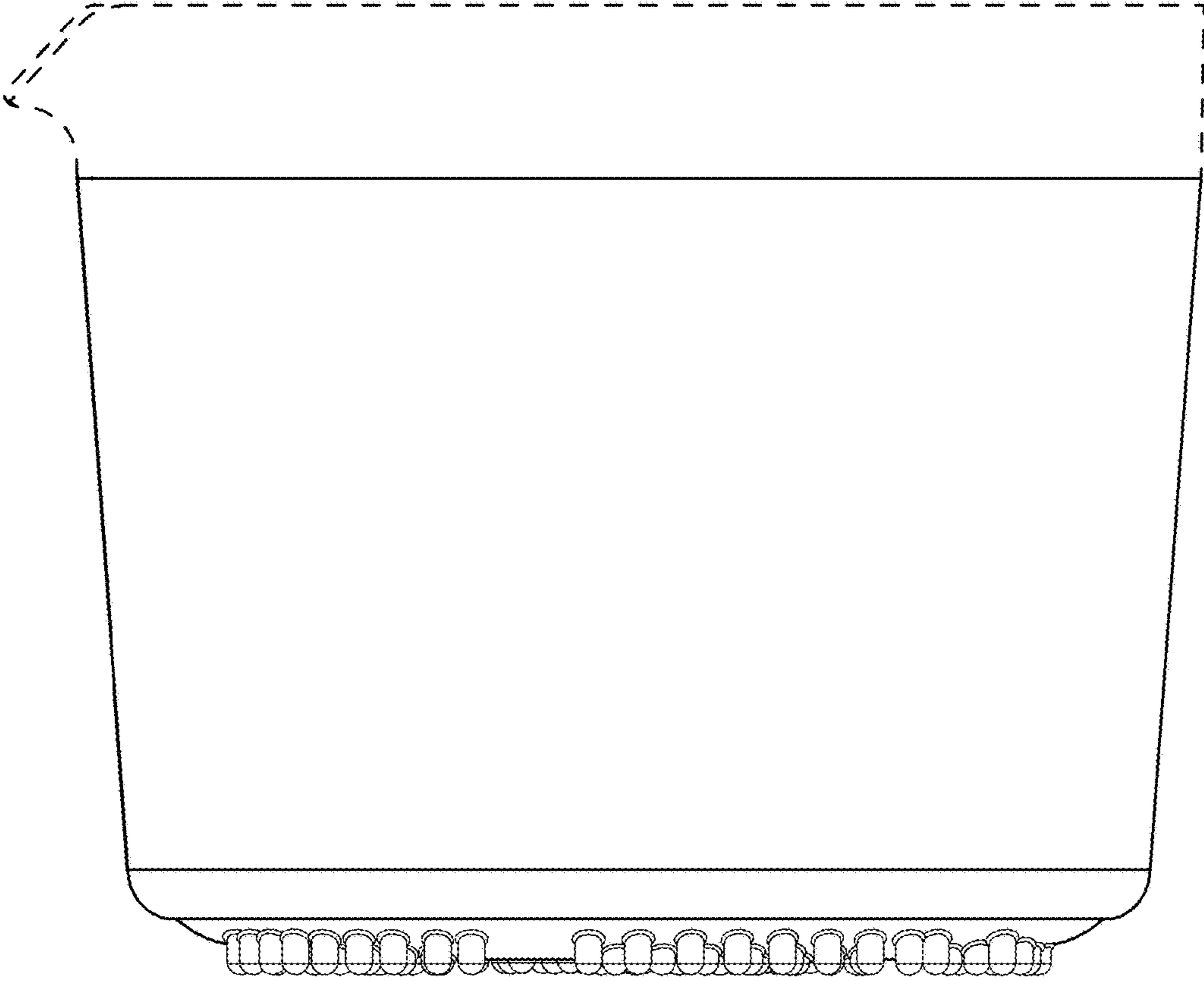


Fig. 6



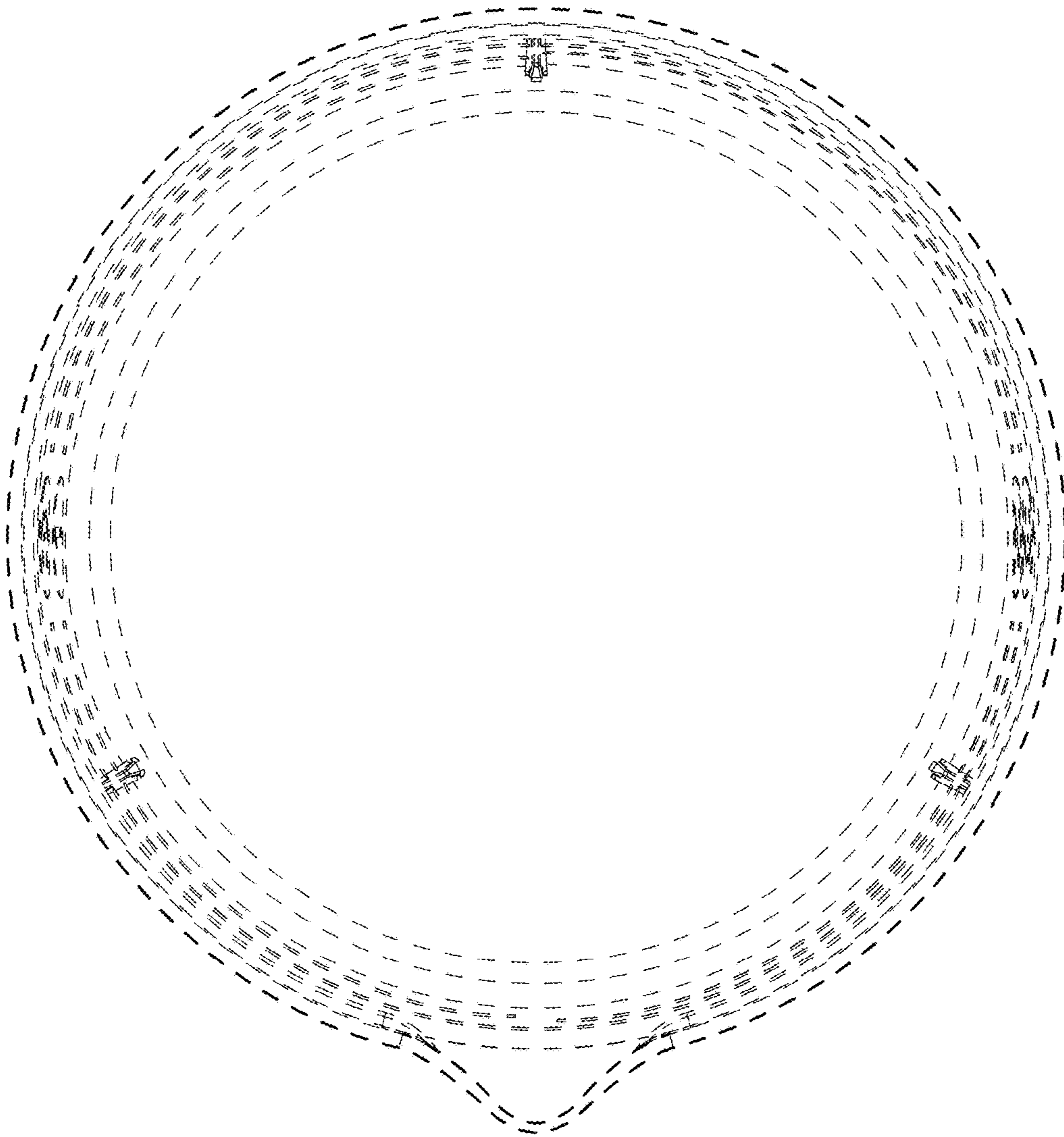


Fig. 7

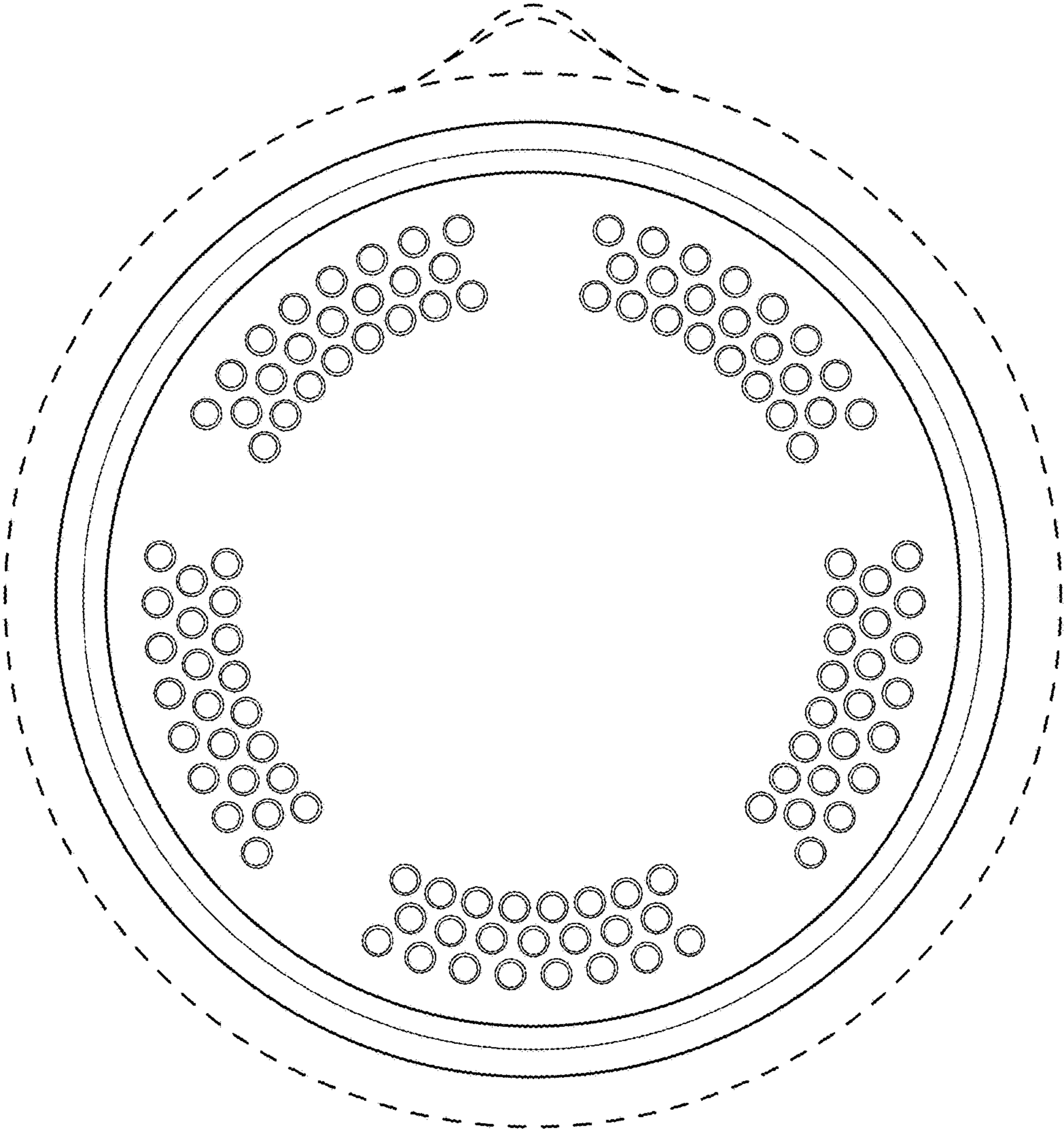


Fig. 8

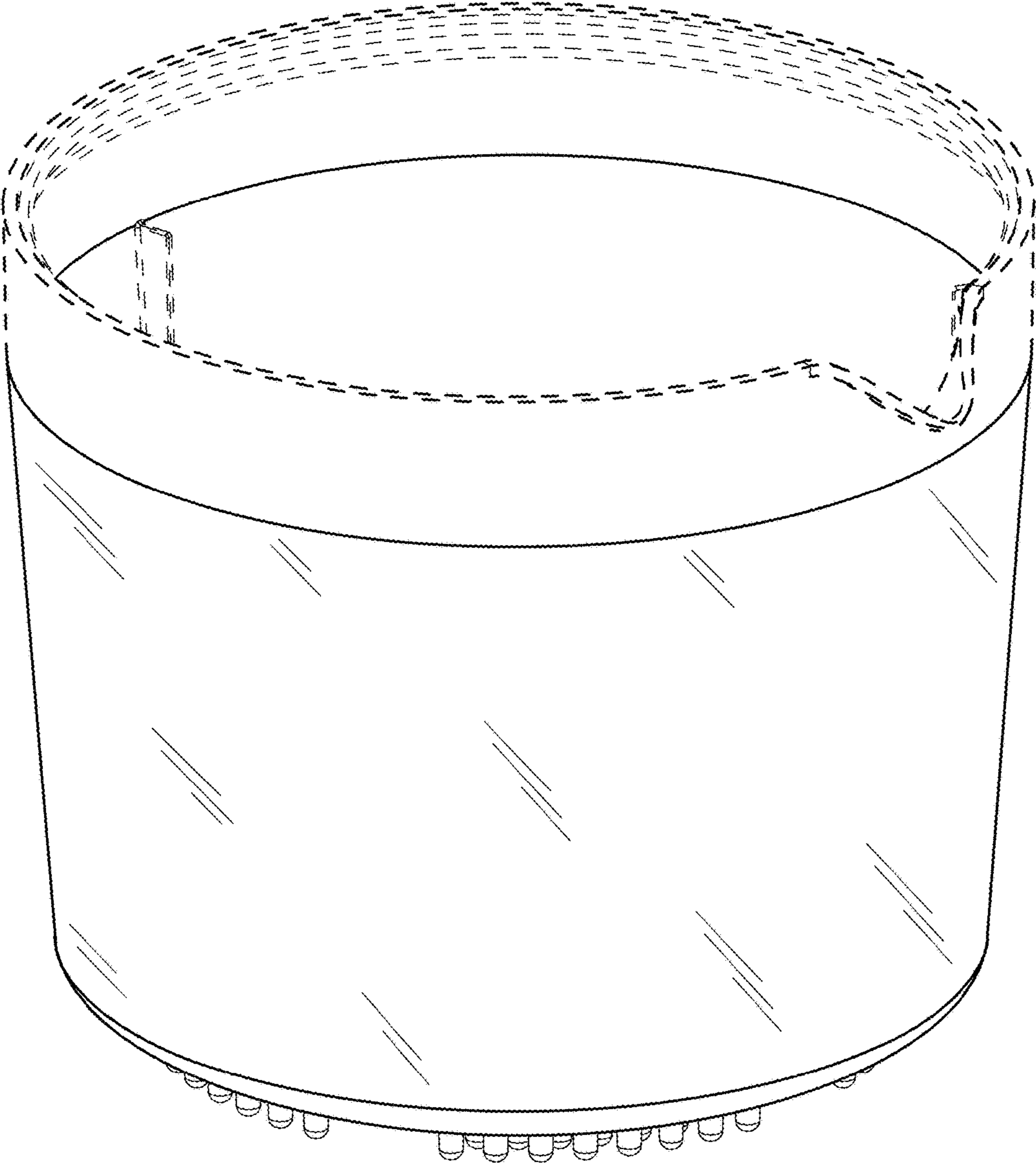


Fig. 9

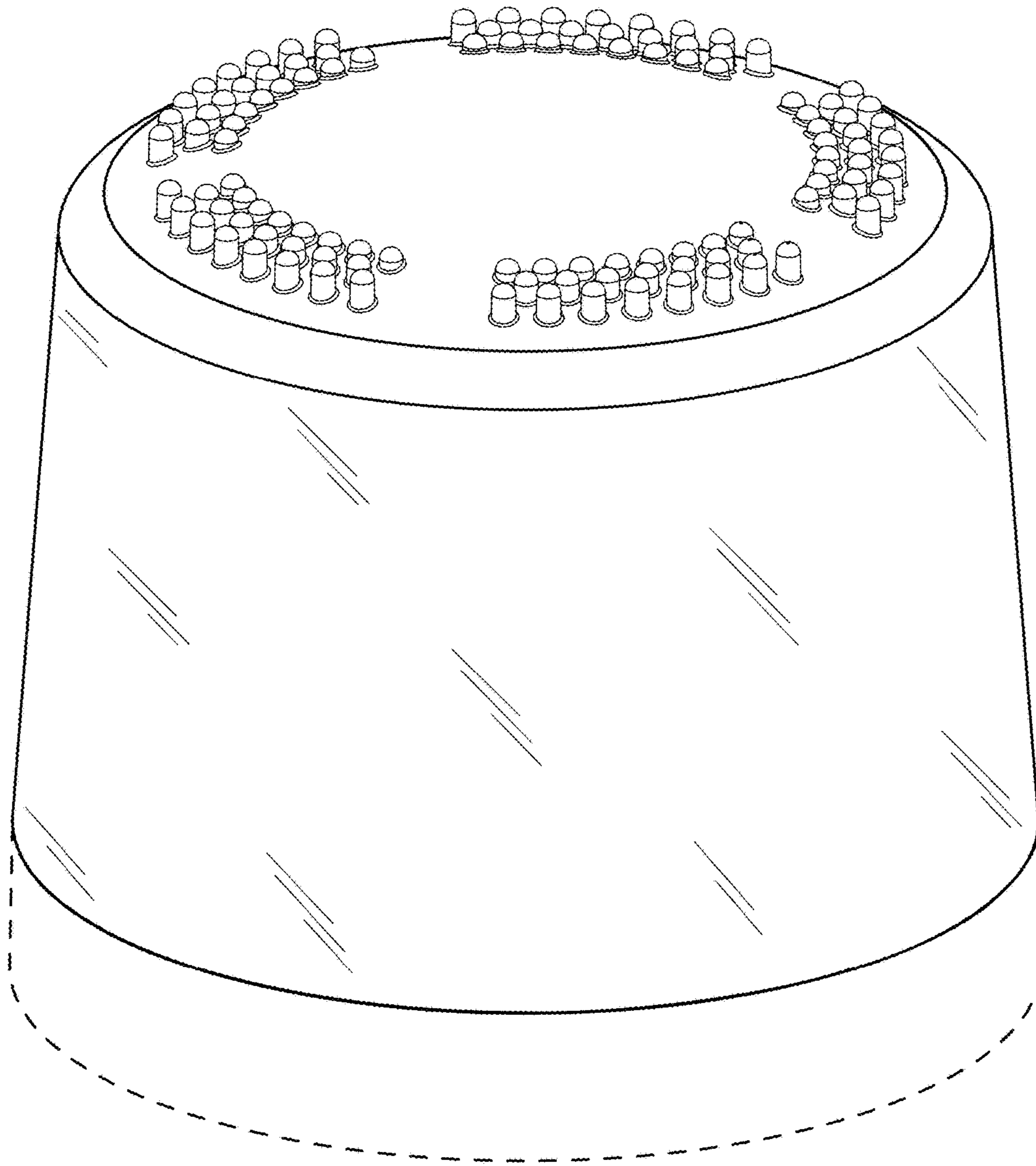


Fig. 10

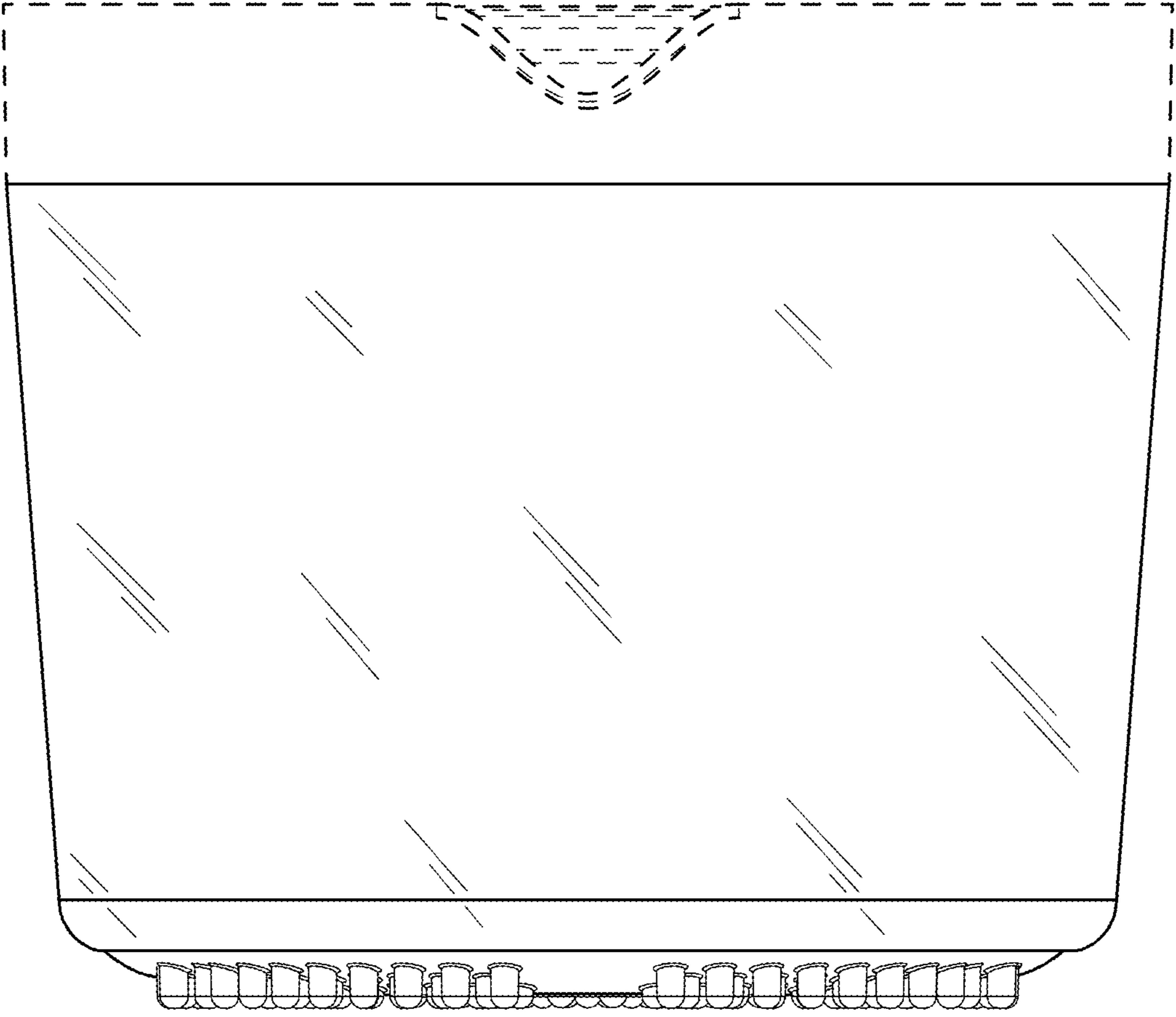


Fig. 11

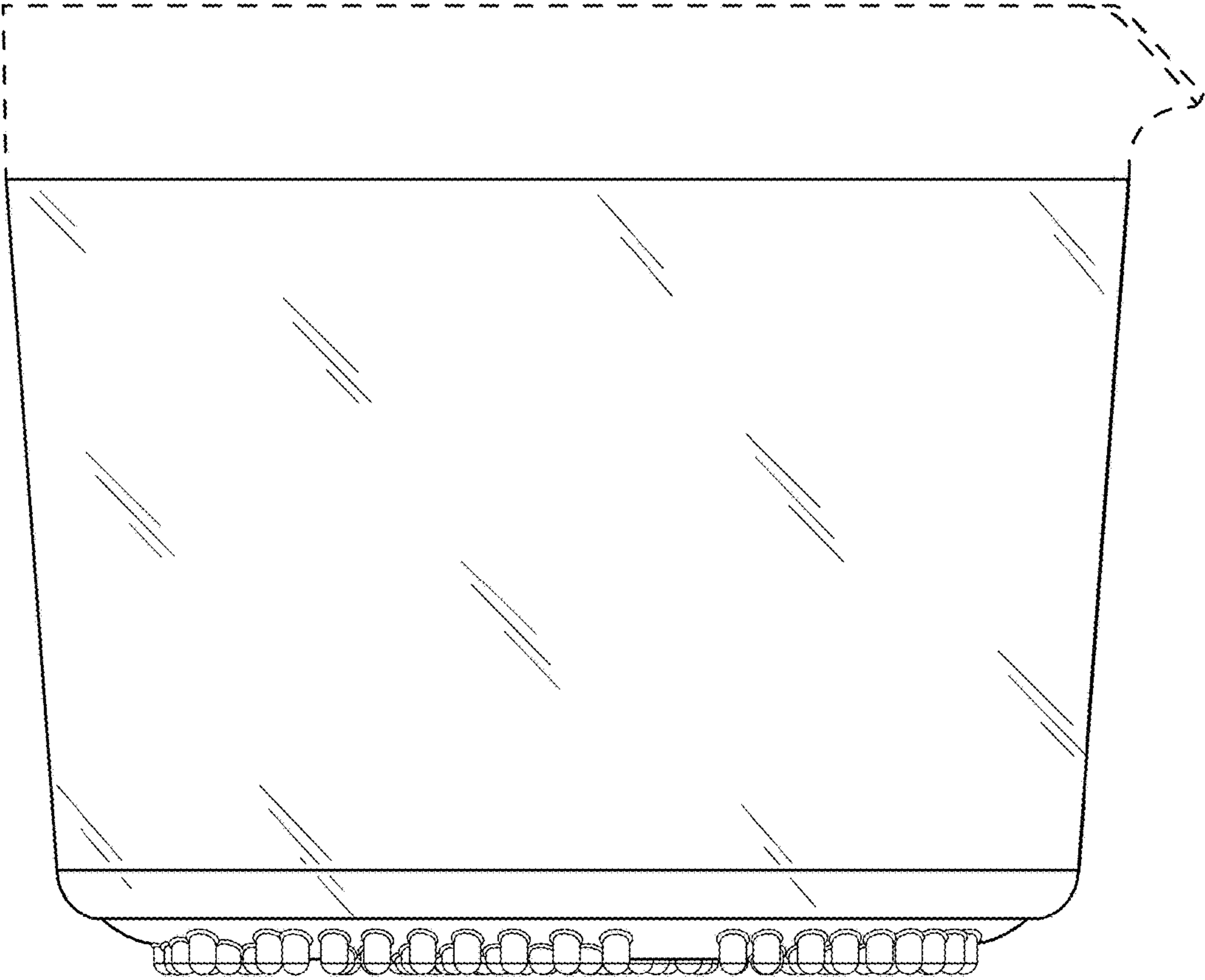


Fig. 12

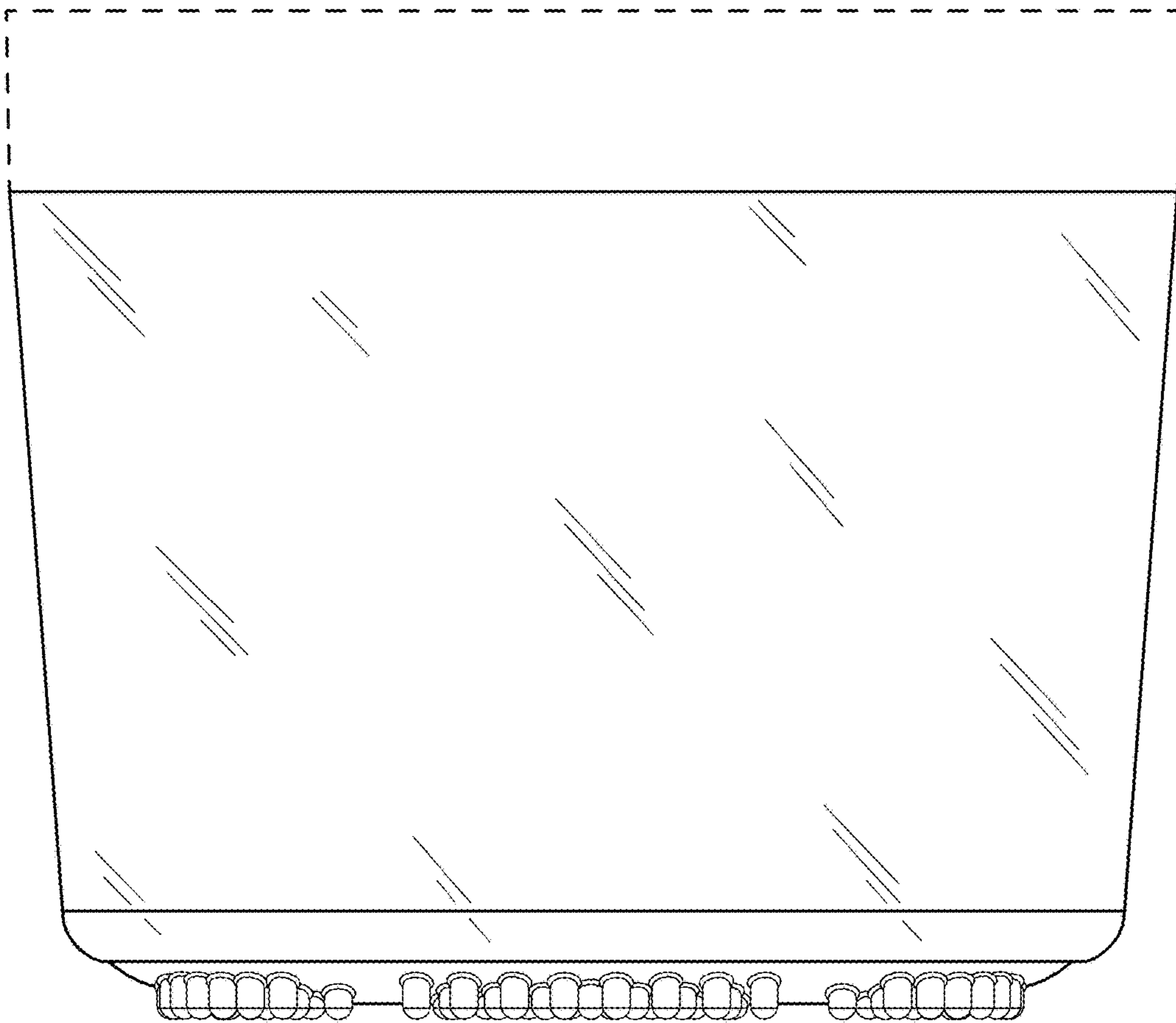


Fig. 13

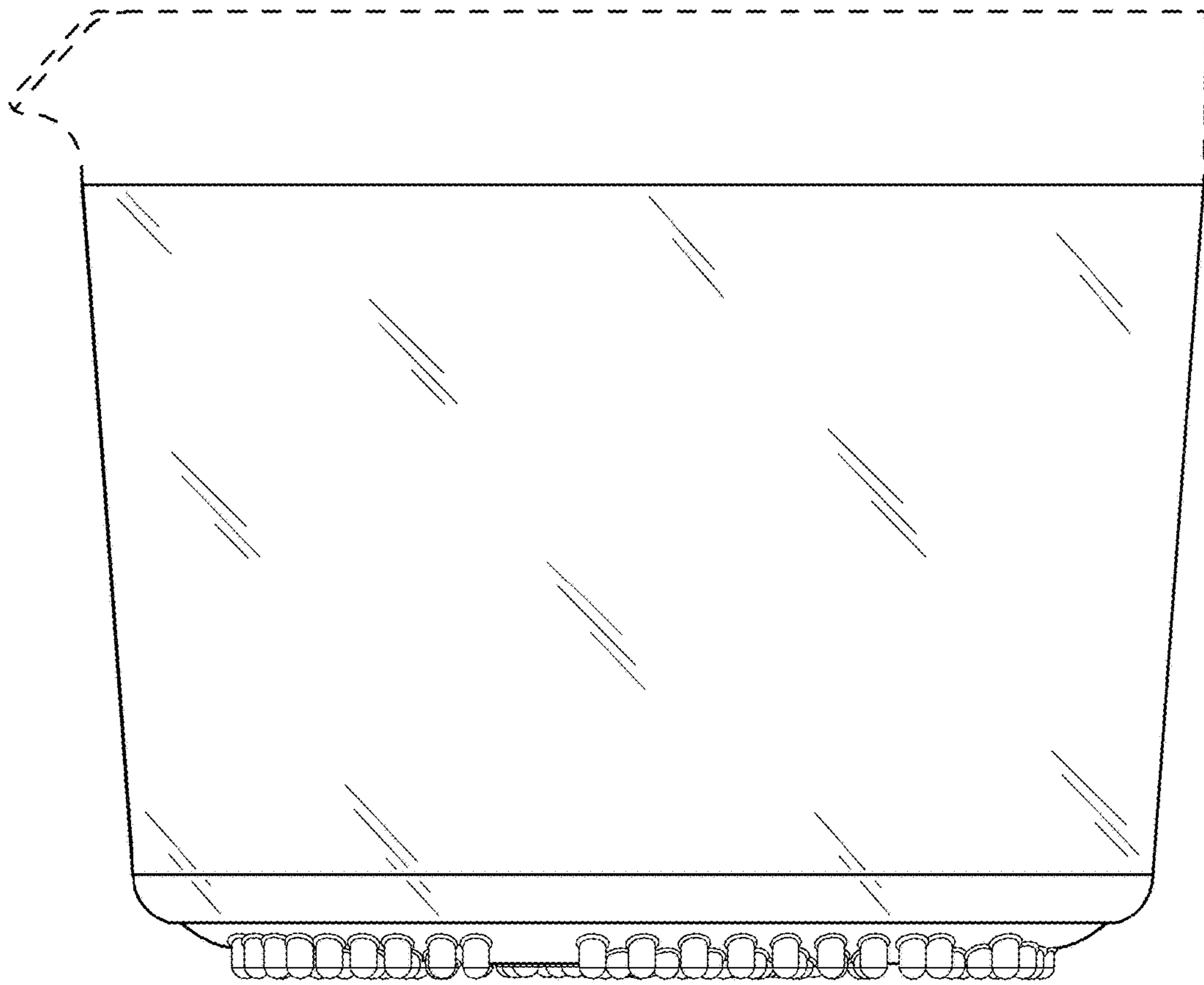


Fig. 14



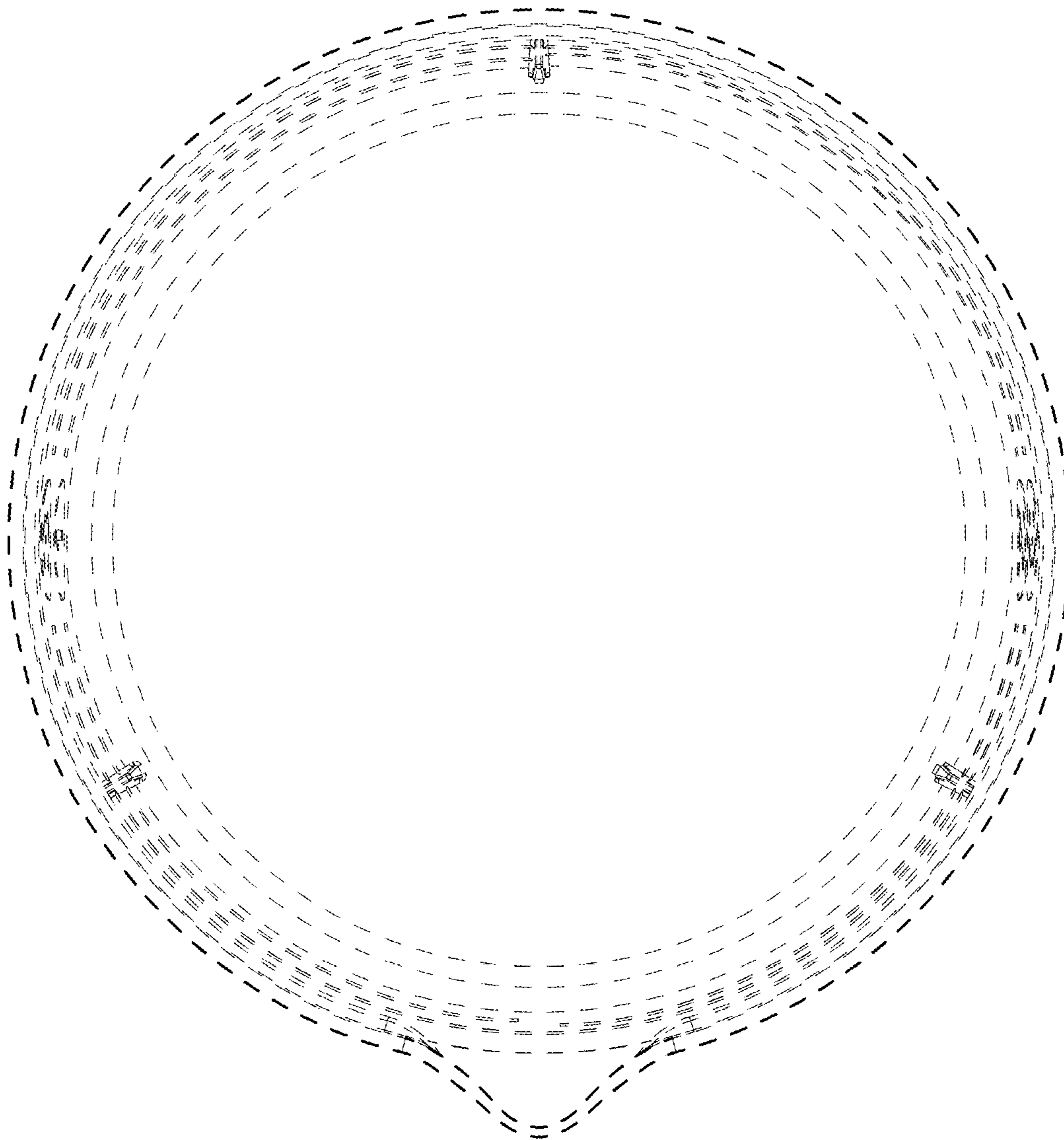


Fig. 15

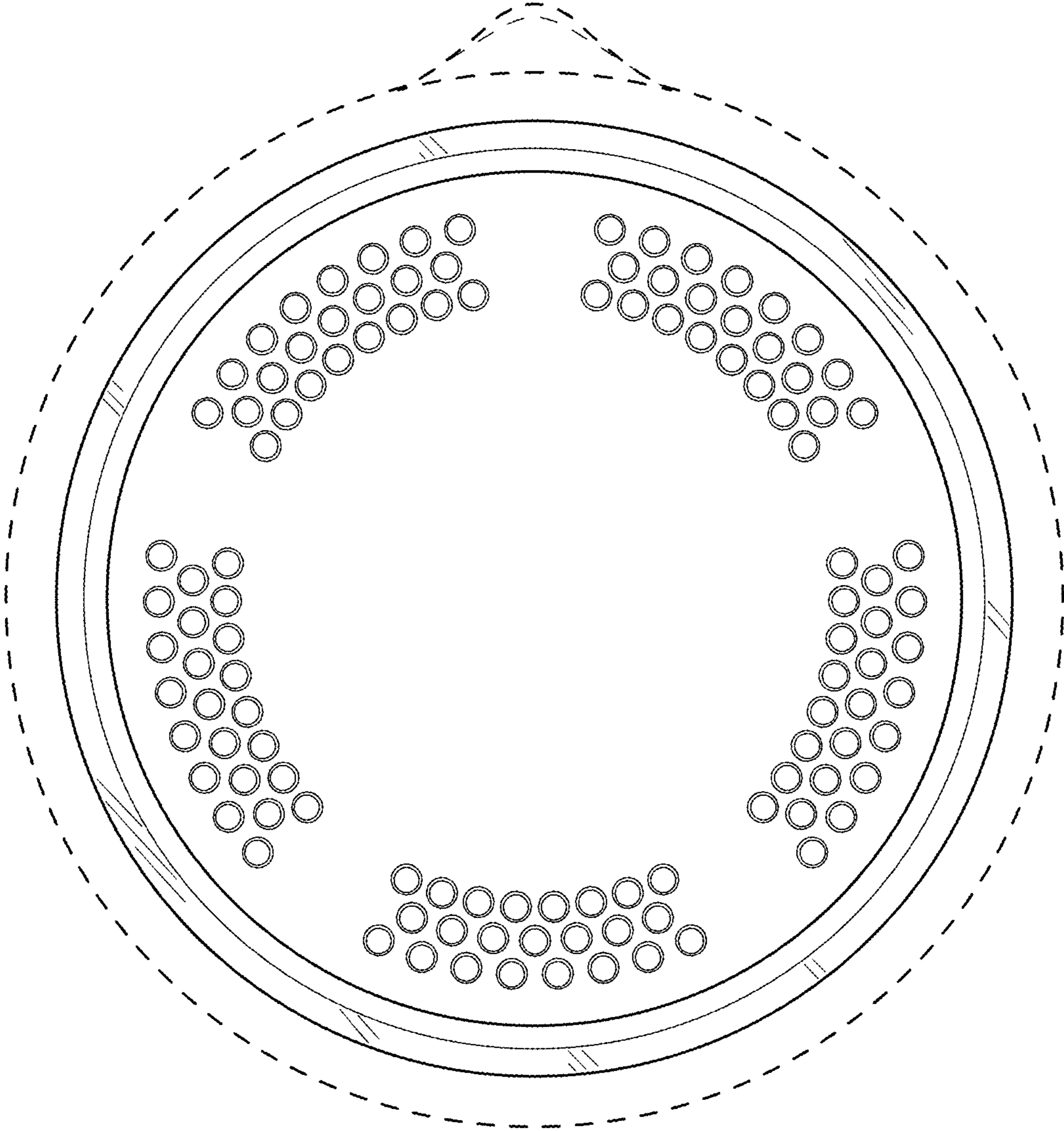


Fig. 16