



US00D772704S

(12) **United States Design Patent**  
**Hagleitner**

(10) **Patent No.:** **US D772,704 S**

(45) **Date of Patent:** **\*\* Nov. 29, 2016**

(54) **SLIDEABLE CLOSURE FOR CONTAINERS**

(71) Applicant: **Hans Georg Hagleitner**, Zell am See (AT)

(72) Inventor: **Hans Georg Hagleitner**, Zell am See (AT)

(\*\*) Term: **14 Years**

(21) Appl. No.: **29/526,157**

(22) Filed: **May 7, 2015**

(30) **Foreign Application Priority Data**

Nov. 7, 2014 (EM) ..... 2573725

(51) **LOC (10) Cl.** ..... **09-07**

(52) **U.S. Cl.**  
USPC ..... **D9/443; D9/449**

(58) **Field of Classification Search**  
USPC ..... D3/298; D7/213; D8/354; D9/434-436,  
D9/440, 443-445, 447, 449, 499; 24/400  
CPC ..... B65D 33/2591  
See application file for complete search history.

(56) **References Cited**

**U.S. PATENT DOCUMENTS**

2,606,351 A \* 8/1952 Wende ..... A44B 19/16  
24/400  
4,949,865 A \* 8/1990 Turner ..... B65D 47/0847  
220/254.3

(Continued)

**FOREIGN PATENT DOCUMENTS**

AU 362485 7/2015  
AU 363072 8/2015

(Continued)

**OTHER PUBLICATIONS**

Target. Ziploc Slideer Quart Storage Bags. 2016 [earliest online date], [site visited May 10, 2016]. Available from Internet, <URL:http://www.target.com/p/ziploc-slider-quart-storage-bags-42-ct/-/A-12971768>.\*

(Continued)

*Primary Examiner* — Robert M Spear

*Assistant Examiner* — Darcey E Heflin

(74) *Attorney, Agent, or Firm* — Laurence A. Greenberg; Werner H. Stemer; Ralph E. Locher

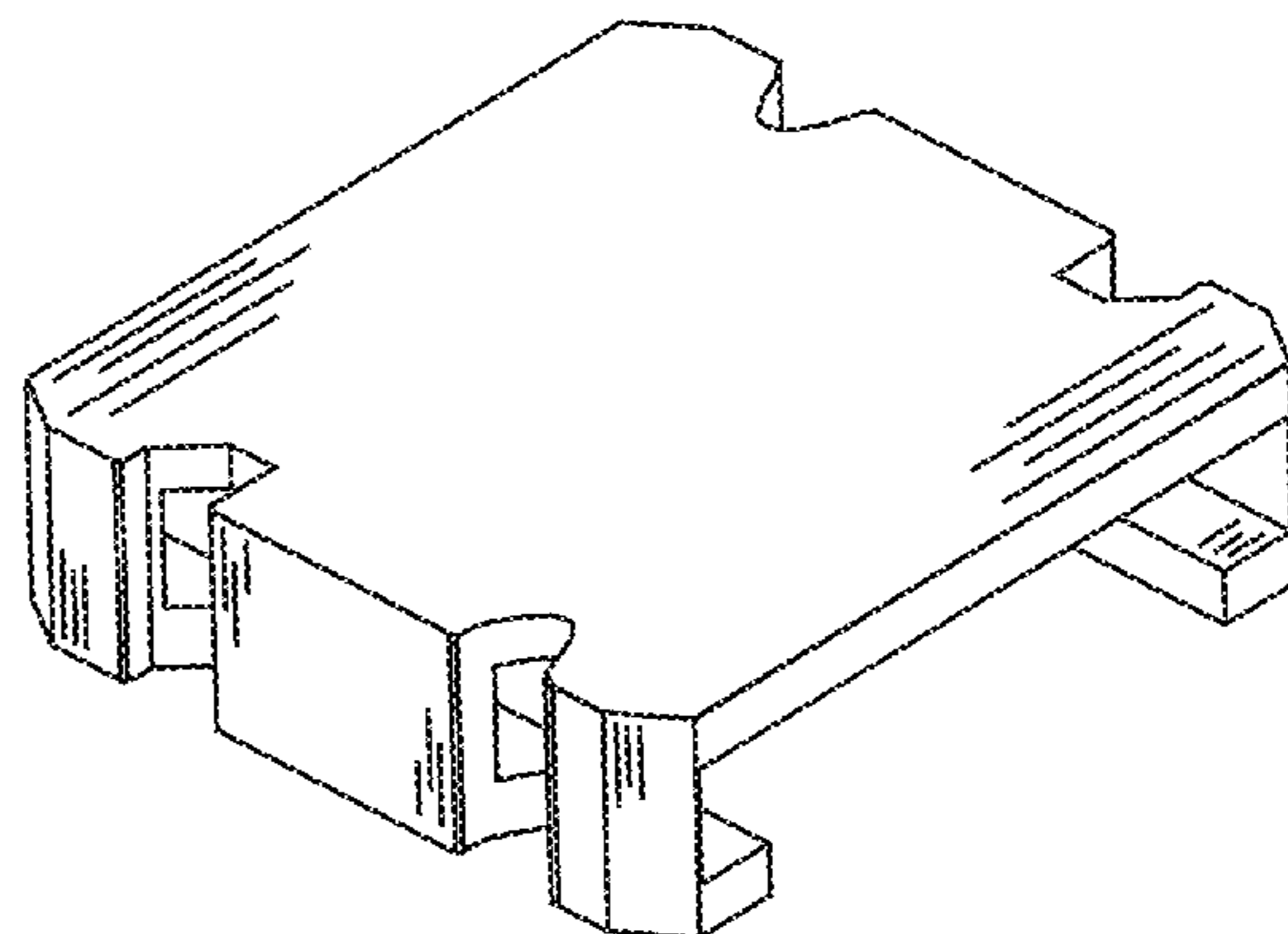
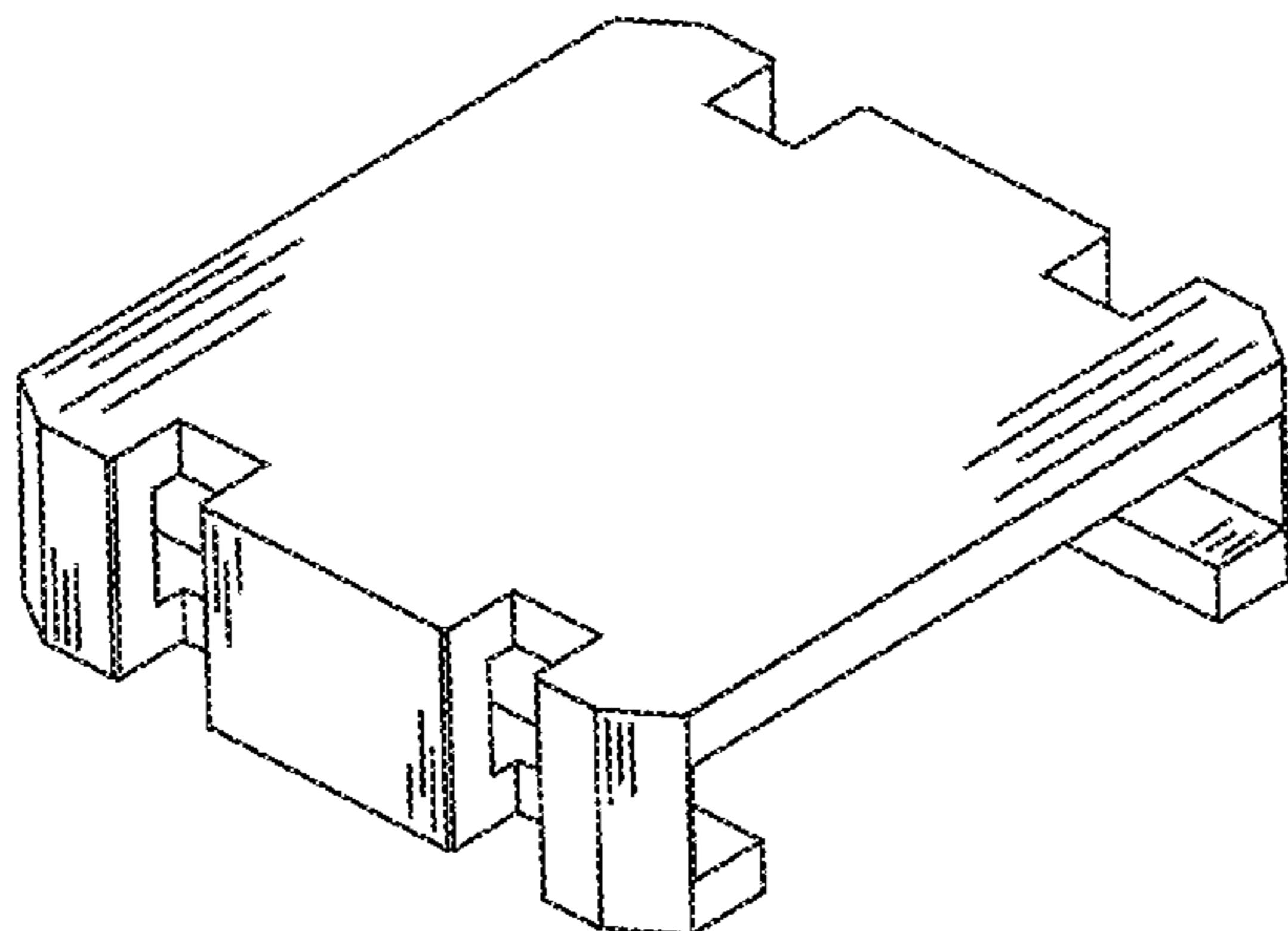
(57) **CLAIM**

The ornamental design for a slideable closure for containers, as shown and described.

**DESCRIPTION**

FIG. 1 is a top perspective view of a slideable closure for containers showing my new design;  
FIG. 2 is a bottom plan view thereof;  
FIG. 3 is a right side elevation view thereof, thereof;  
FIG. 4 is a left side elevation view thereof;  
FIG. 5 is a top plan view thereof;  
FIG. 6 is a front elevation view thereof; and  
FIG. 7 is a rear elevation view thereof;  
FIG. 8 is a top perspective view of a second embodiment, showing my new design;  
FIG. 9 is a bottom plan view thereof;  
FIG. 10 is a right side elevation view thereof, thereof;  
FIG. 11 is a left side elevation view thereof;  
FIG. 12 is a top plan view thereof;  
FIG. 13 is a front elevation view thereof; and  
FIG. 14 is a rear elevation view thereof;  
FIG. 15 is a top perspective view of a third embodiment, showing my new design;  
FIG. 16 is a bottom plan view thereof;  
FIG. 17 is a right side elevation view thereof, thereof;  
FIG. 18 is a left side elevation view thereof;  
FIG. 19 is a top plan view thereof;  
FIG. 20 is a front elevation view thereof; and  
FIG. 21 is a rear elevation view thereof;  
FIG. 22 is a top perspective view of a fourth embodiment, showing my new design;  
FIG. 23 is a bottom plan view thereof;  
FIG. 24 is a right side elevation view thereof, thereof;  
FIG. 25 is a left side elevation view thereof;  
FIG. 26 is a top plan view thereof;  
FIG. 27 is a front elevation view thereof; and,  
FIG. 28 is a rear elevation view thereof.

**1 Claim, 28 Drawing Sheets**



(56)

References Cited

U.S. PATENT DOCUMENTS

D355,121 S 2/1995 Kohl  
D379,424 S \* 5/1997 White, Jr. .... D8/354  
5,950,285 A \* 9/1999 Porchia ..... B65D 33/2591  
24/390  
D418,394 S \* 1/2000 King ..... D25/124  
D422,909 S \* 4/2000 Smith ..... D9/434  
6,327,754 B1 \* 12/2001 Belmont ..... B31B 19/90  
24/389  
D490,706 S \* 6/2004 Smith ..... D9/434  
D496,249 S \* 9/2004 Liebendorfer ..... D8/354  
D512,909 S \* 12/2005 Buchman ..... D9/434  
D536,214 S 2/2007 Schuler et al.  
D631,324 S \* 1/2011 Azuma ..... D8/354  
D751,338 S \* 3/2016 Seiders ..... D7/396.2  
D751,339 S \* 3/2016 Seiders ..... D7/396.2  
D761,619 S \* 7/2016 Seiders ..... D7/392.1

FOREIGN PATENT DOCUMENTS

AU 363073 8/2015  
AU 363074 8/2015  
AU 363130 8/2015  
AU 363131 8/2015  
CL 20031172 8/2004  
CL 200802918 5/2009  
GB D2047378 5/1995  
GB D2103238 1/2001  
GB D3023823 1/2006  
OA MI0667175-01 7/2007  
OA MI0926613-01 4/2008

OTHER PUBLICATIONS

Bolsas Zipper Albal published Sep. 24, 2014 [www.youtube.com](http://www.youtube.com).  
Elite Bags contenedor de bolsillo catalog 2014, [www.elitebags.es](http://www.elitebags.es).

\* cited by examiner

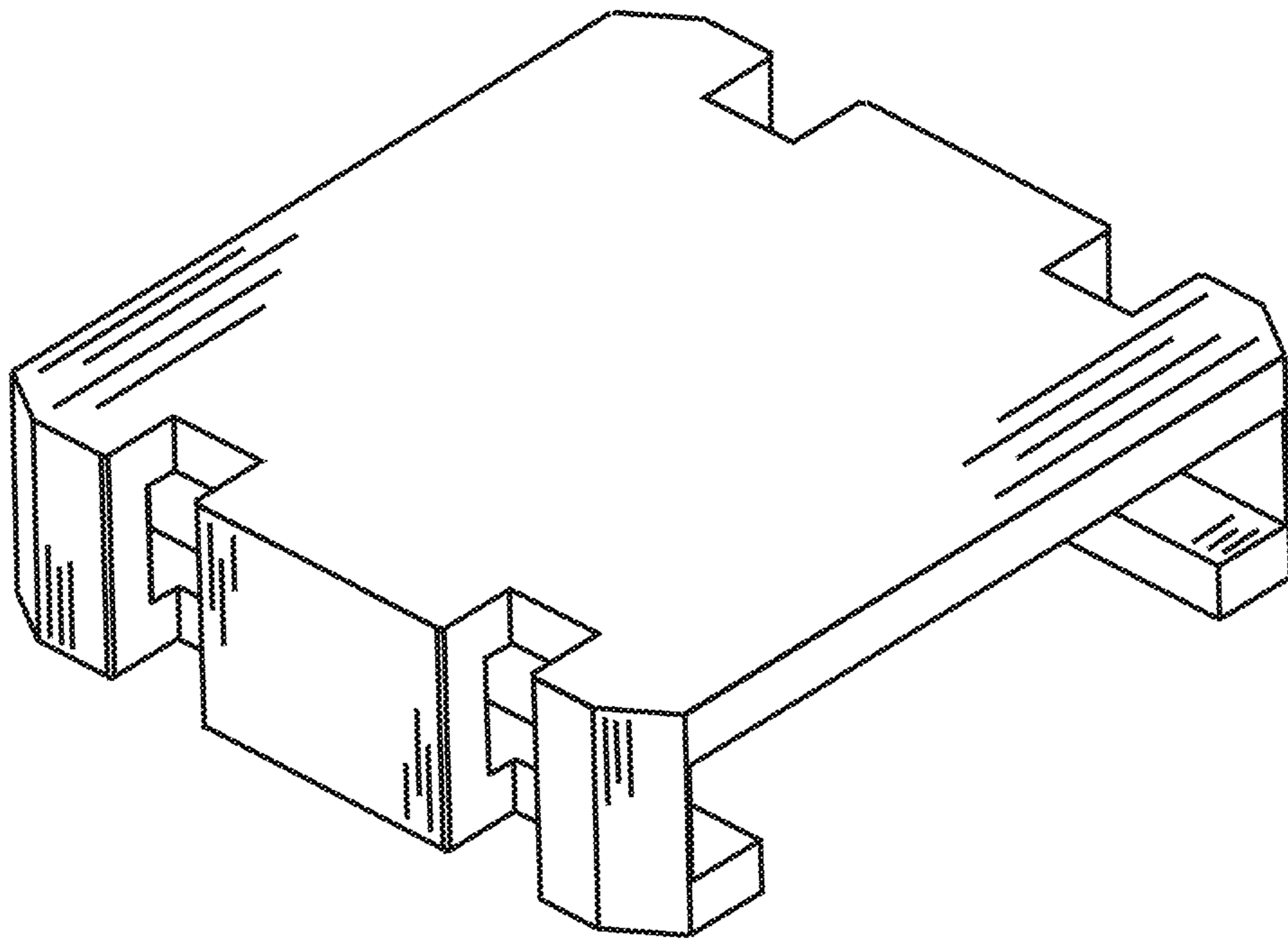


FIG. 1

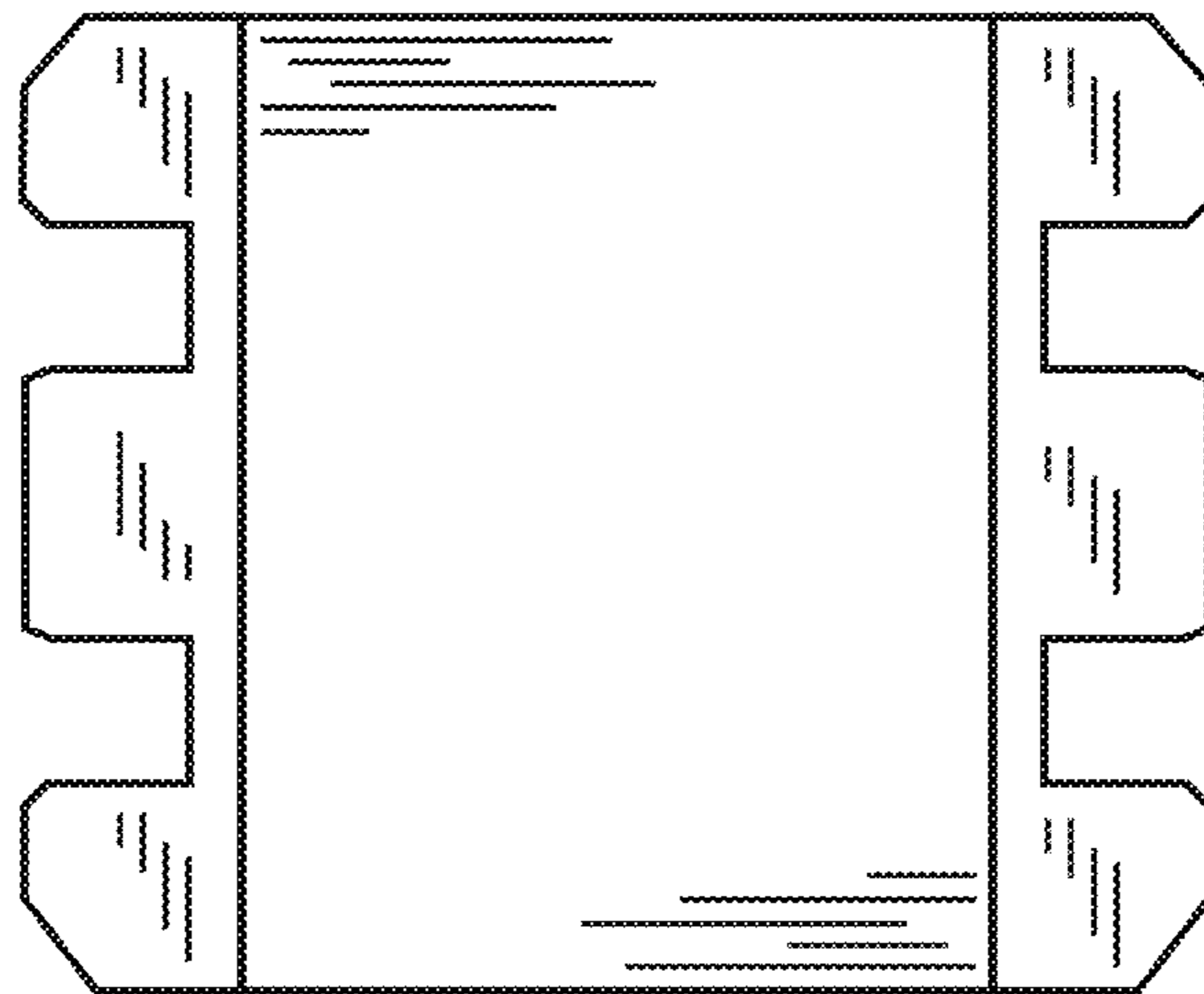


FIG. 2

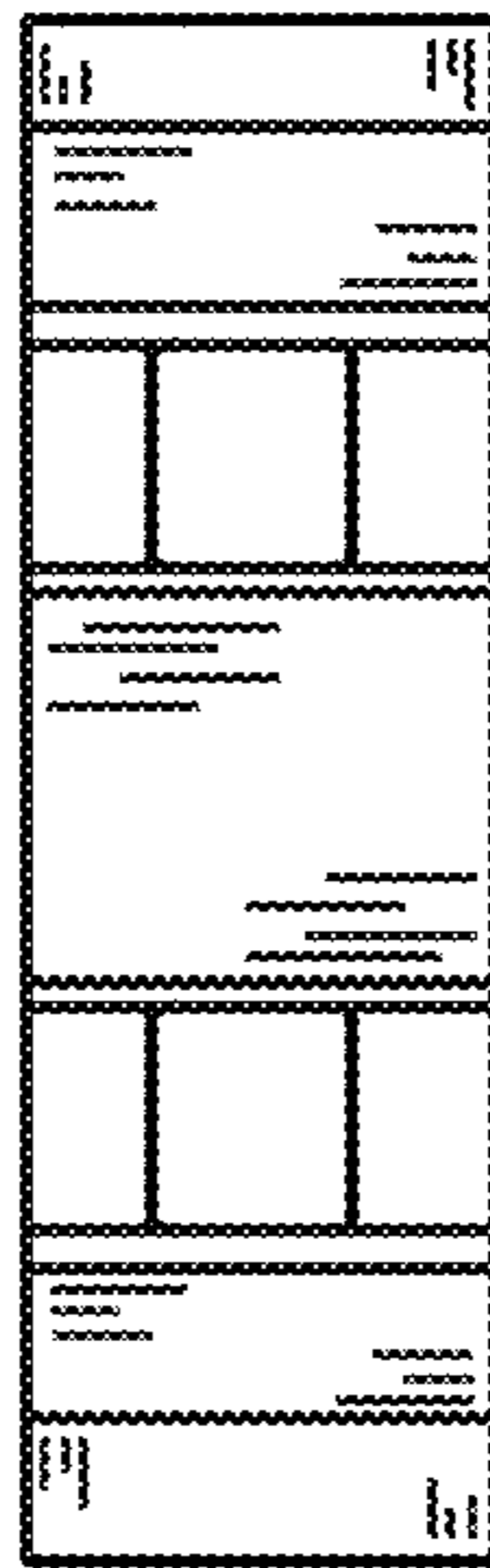


FIG. 3

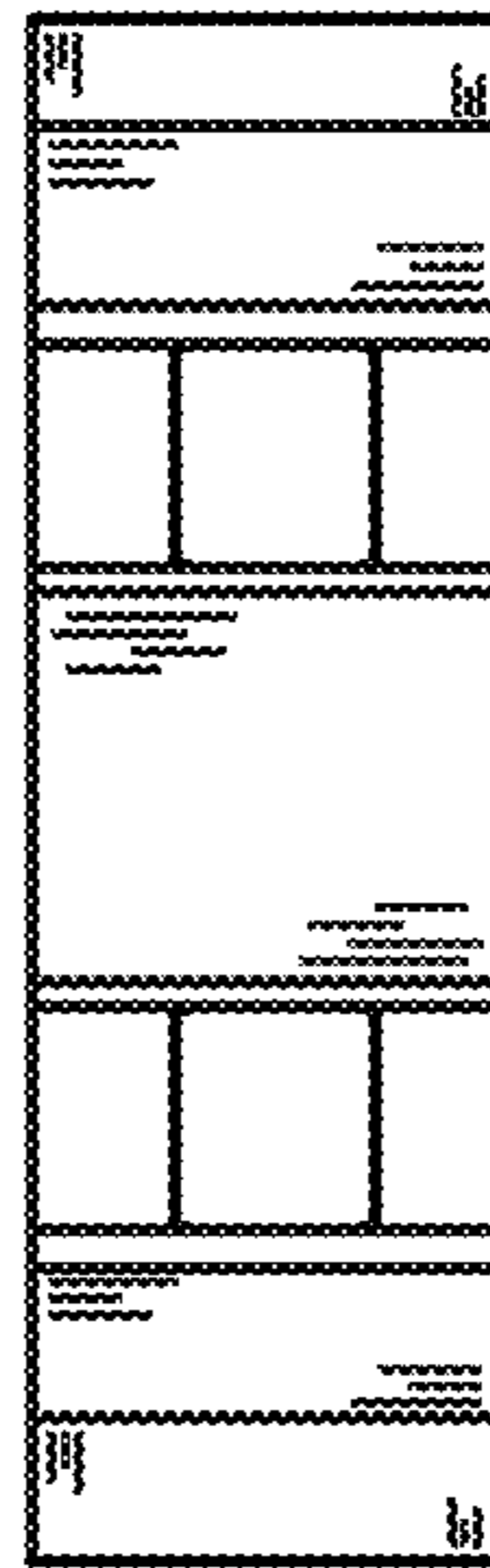


FIG. 4

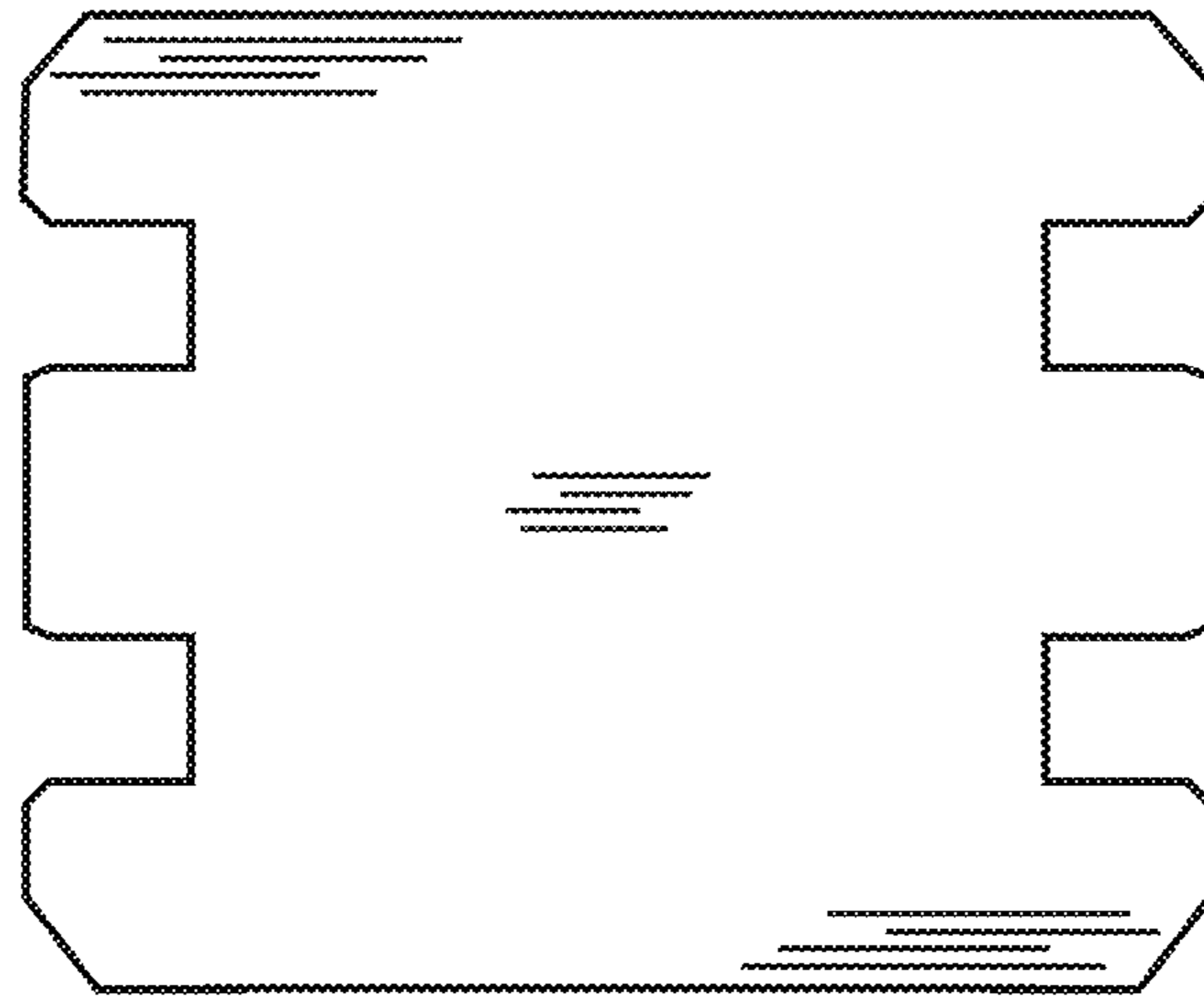


FIG. 5

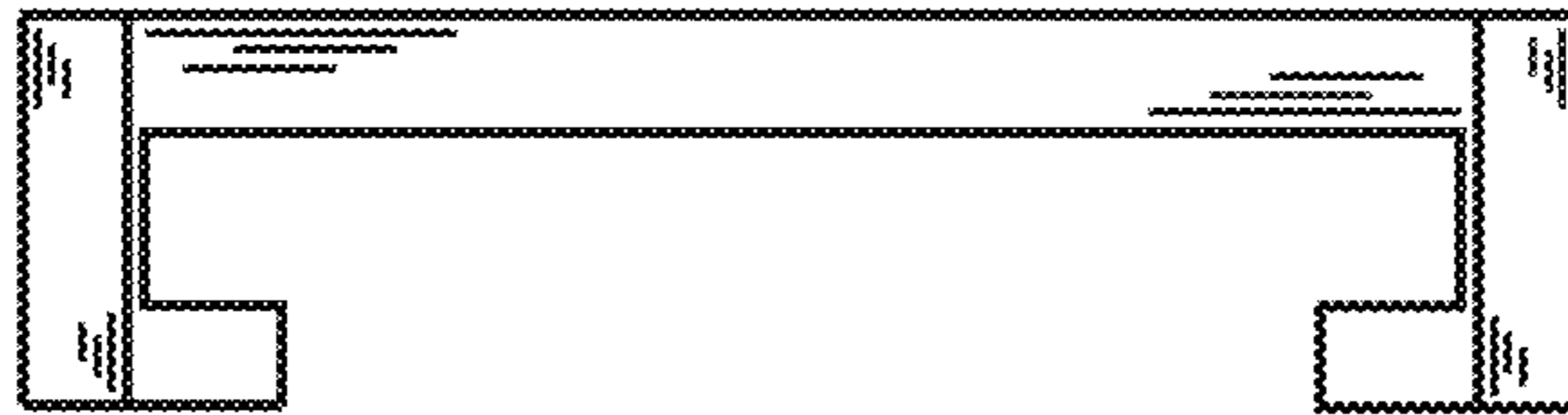


FIG. 6



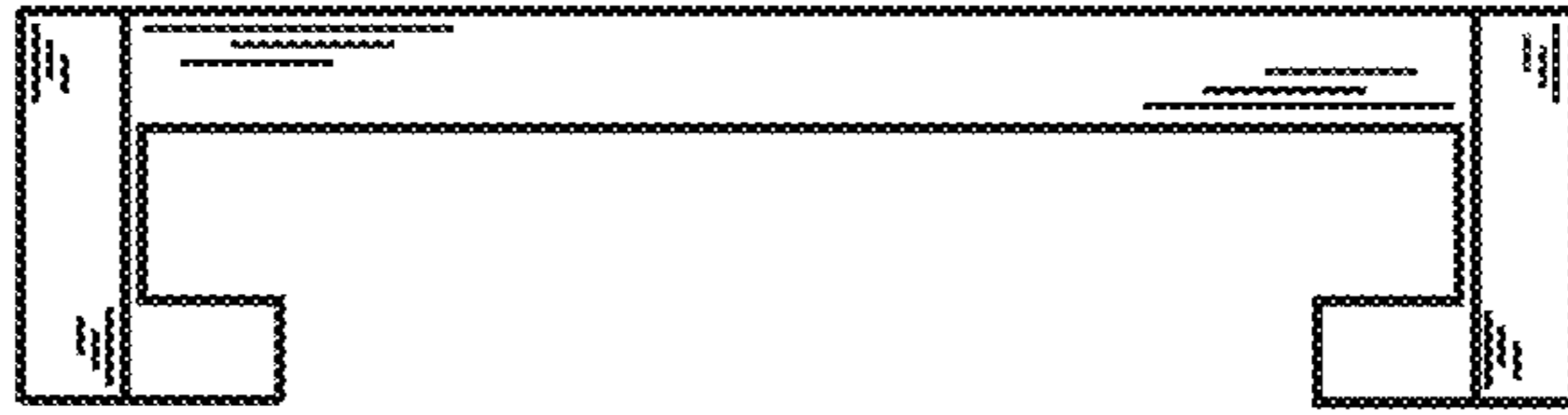


FIG. 7

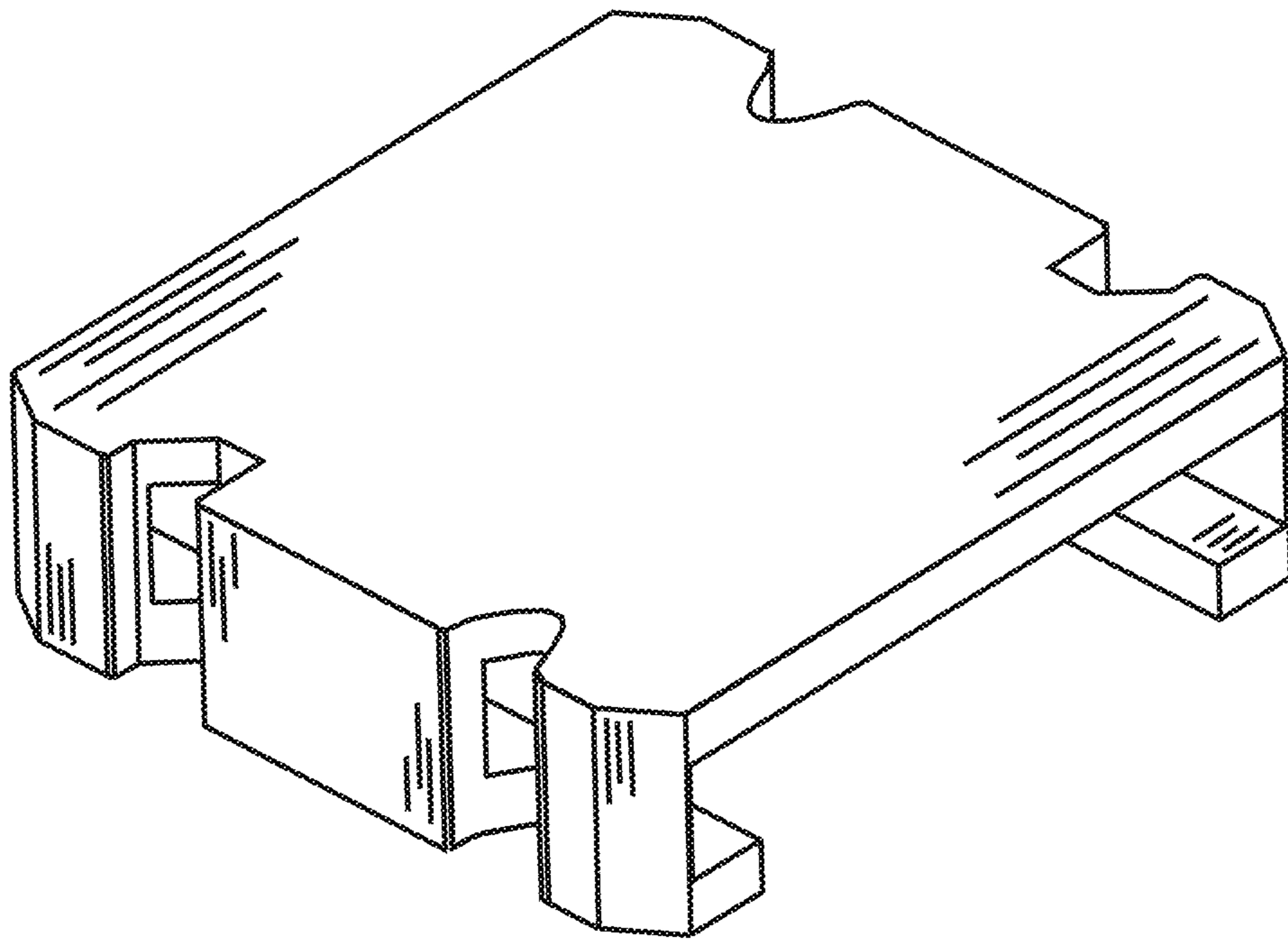


FIG. 8

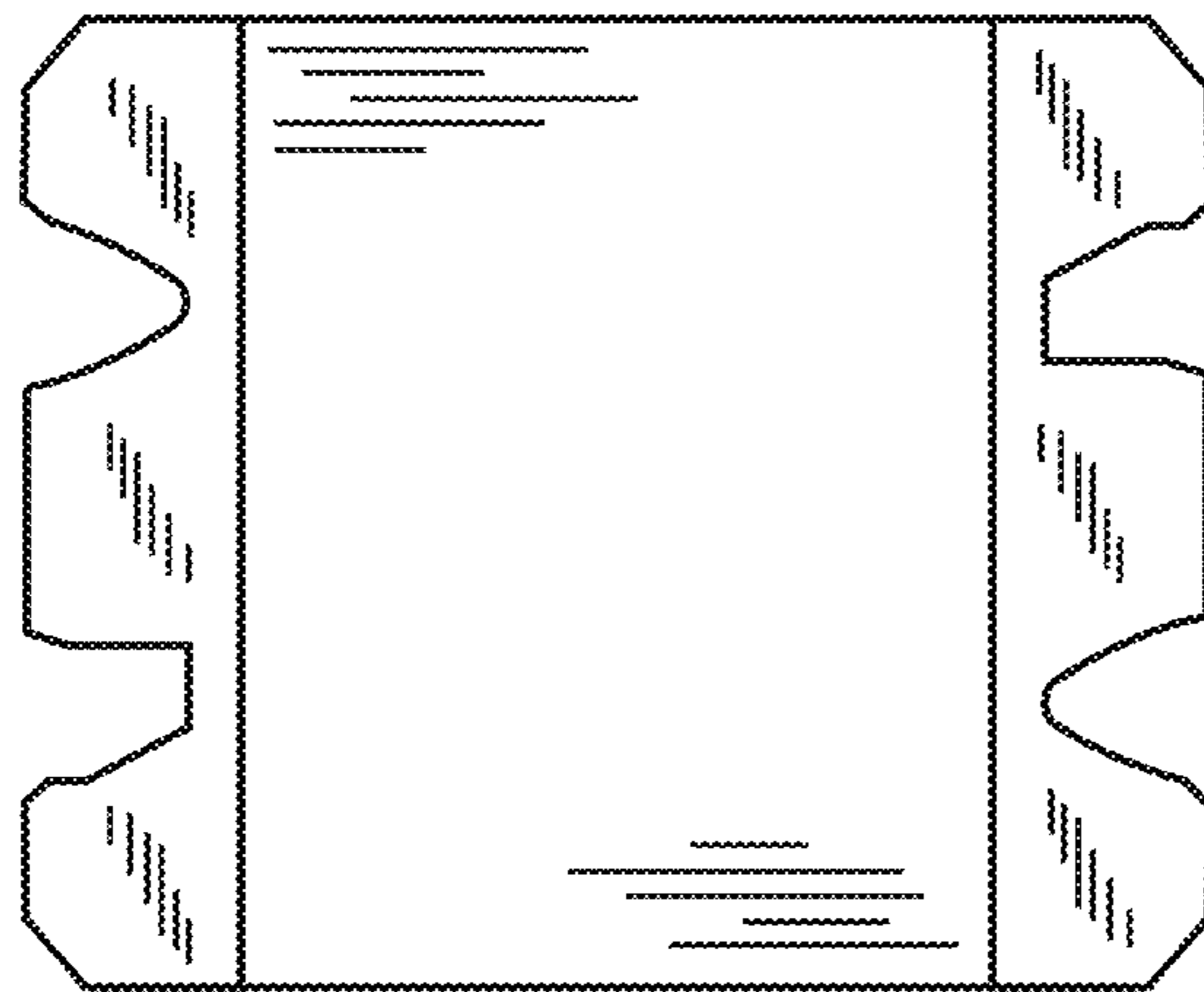


FIG. 9

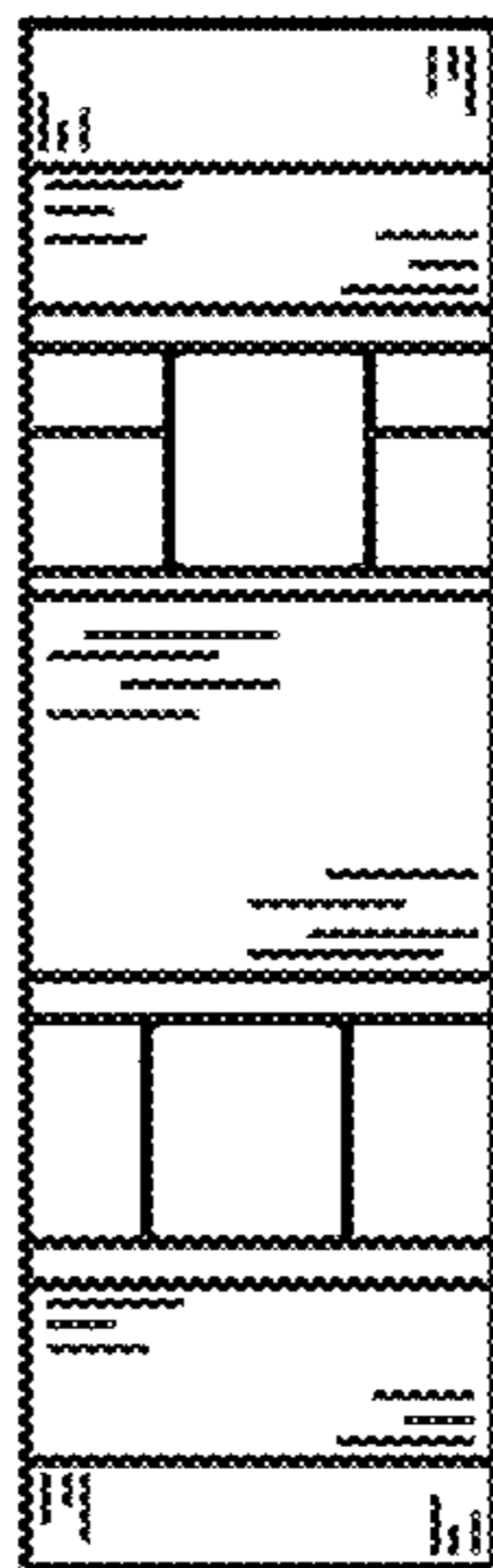


FIG. 10

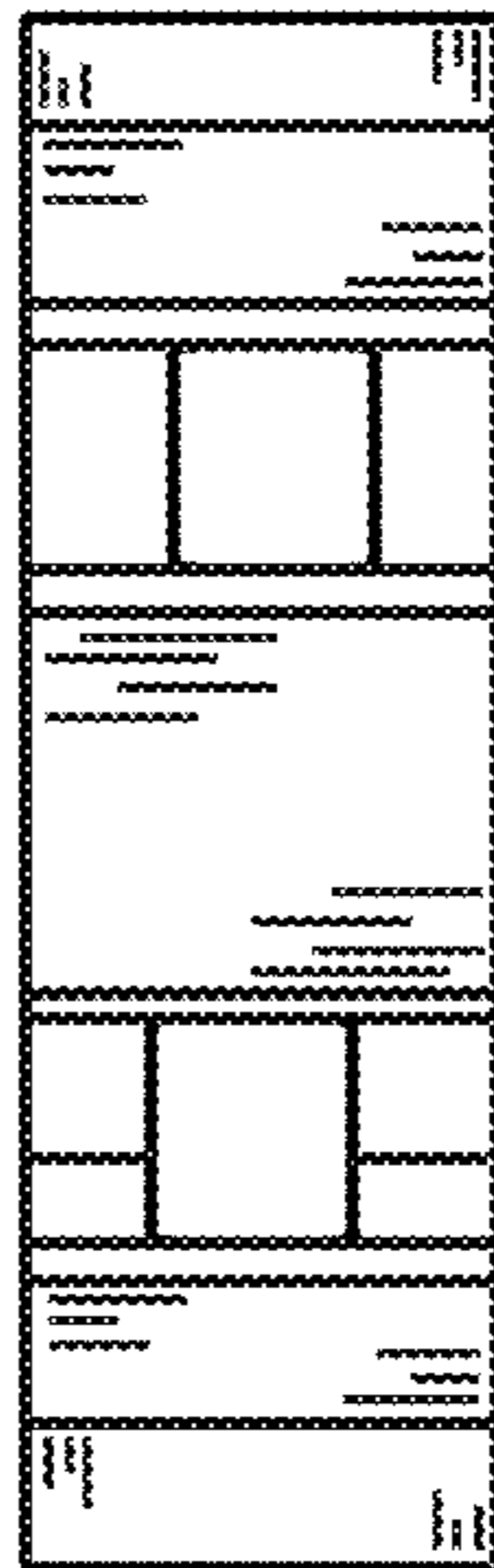


FIG. 11

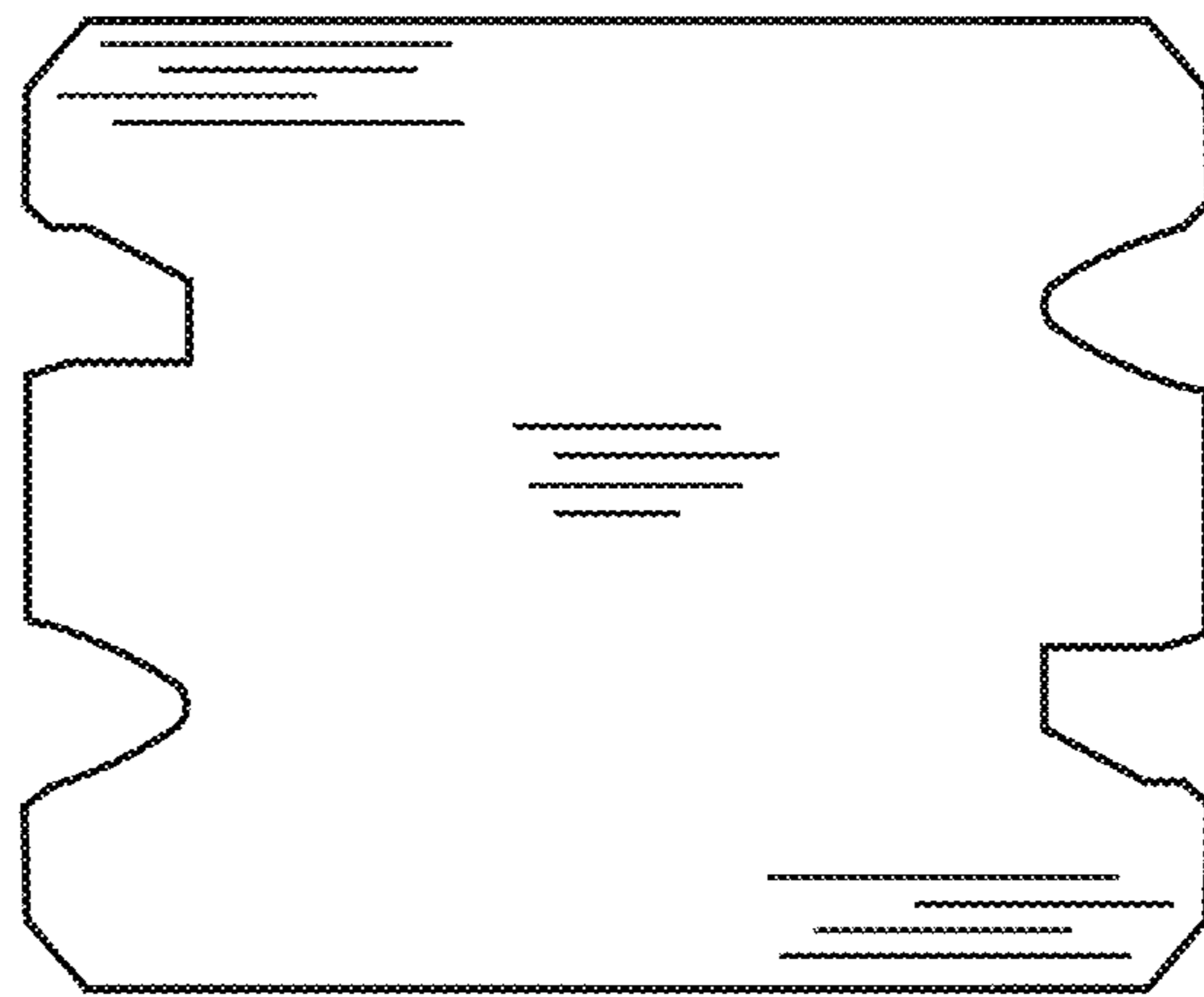


FIG. 12

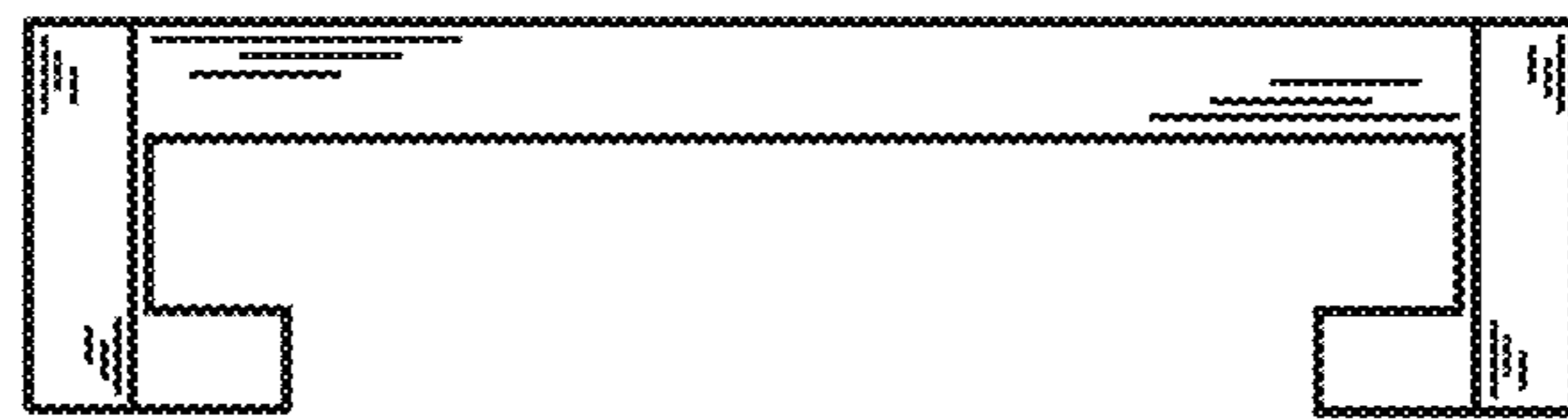


FIG. 13

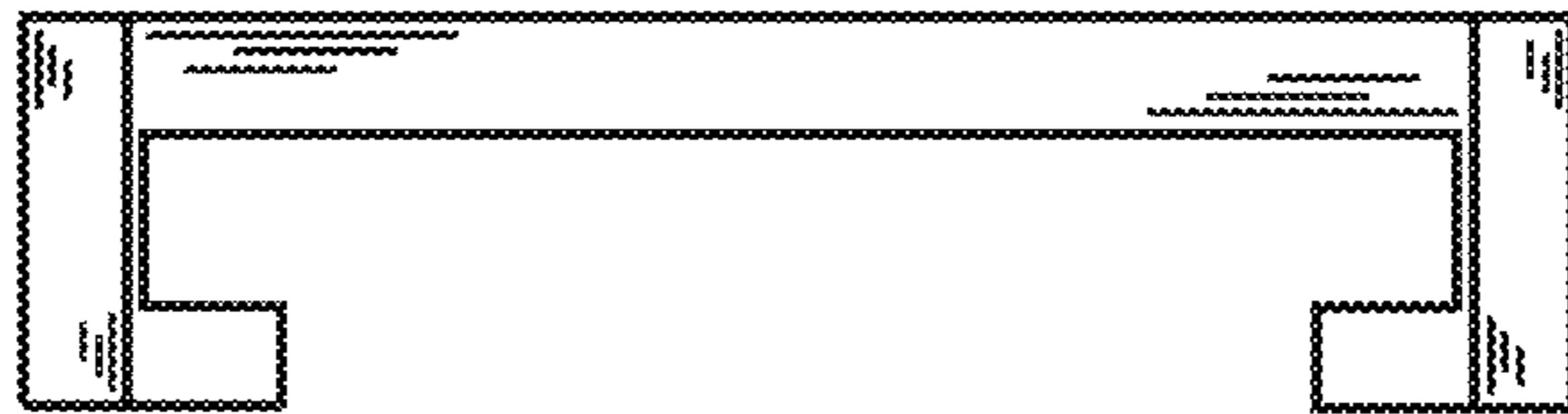


FIG. 14



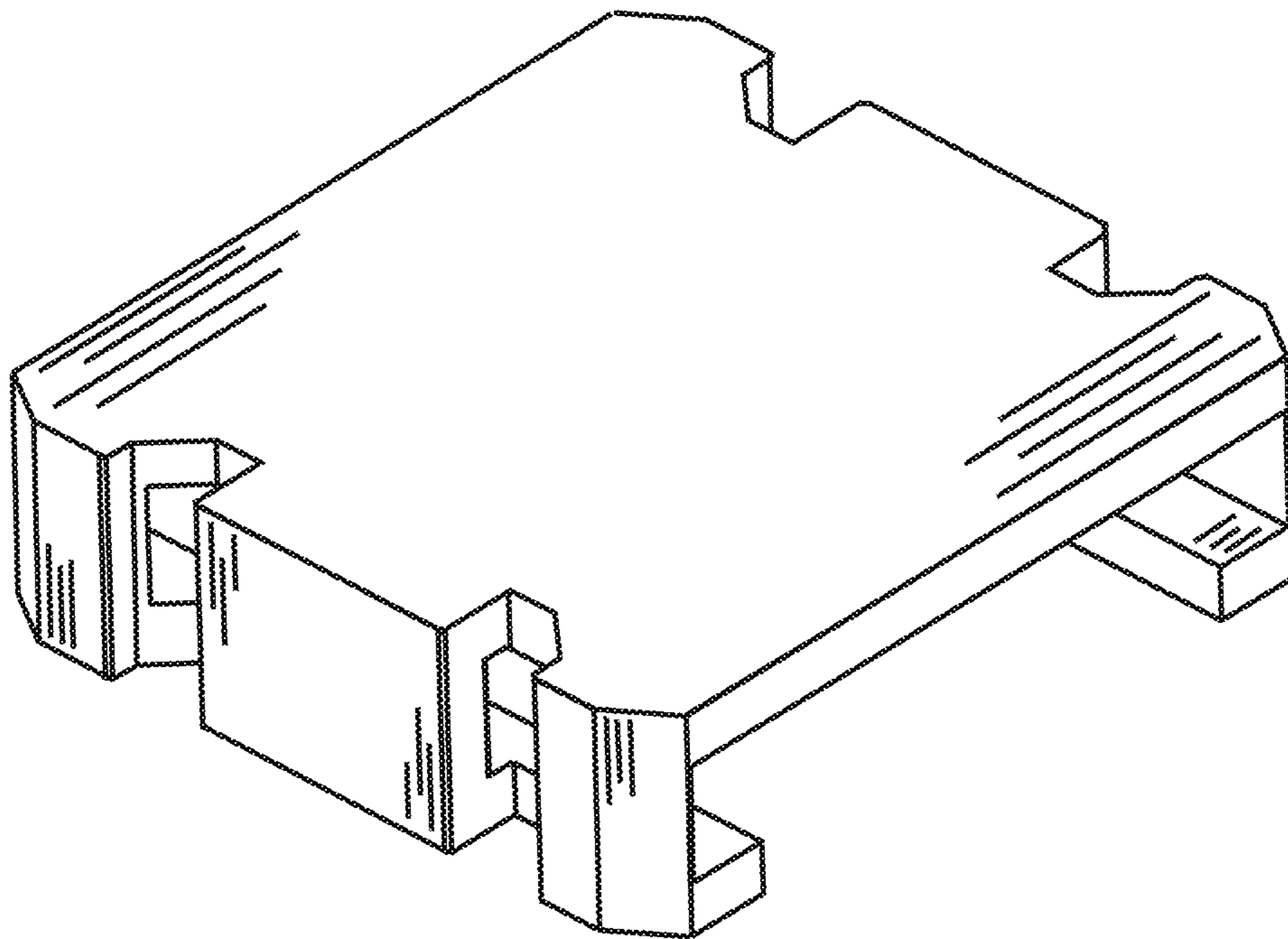


FIG. 15

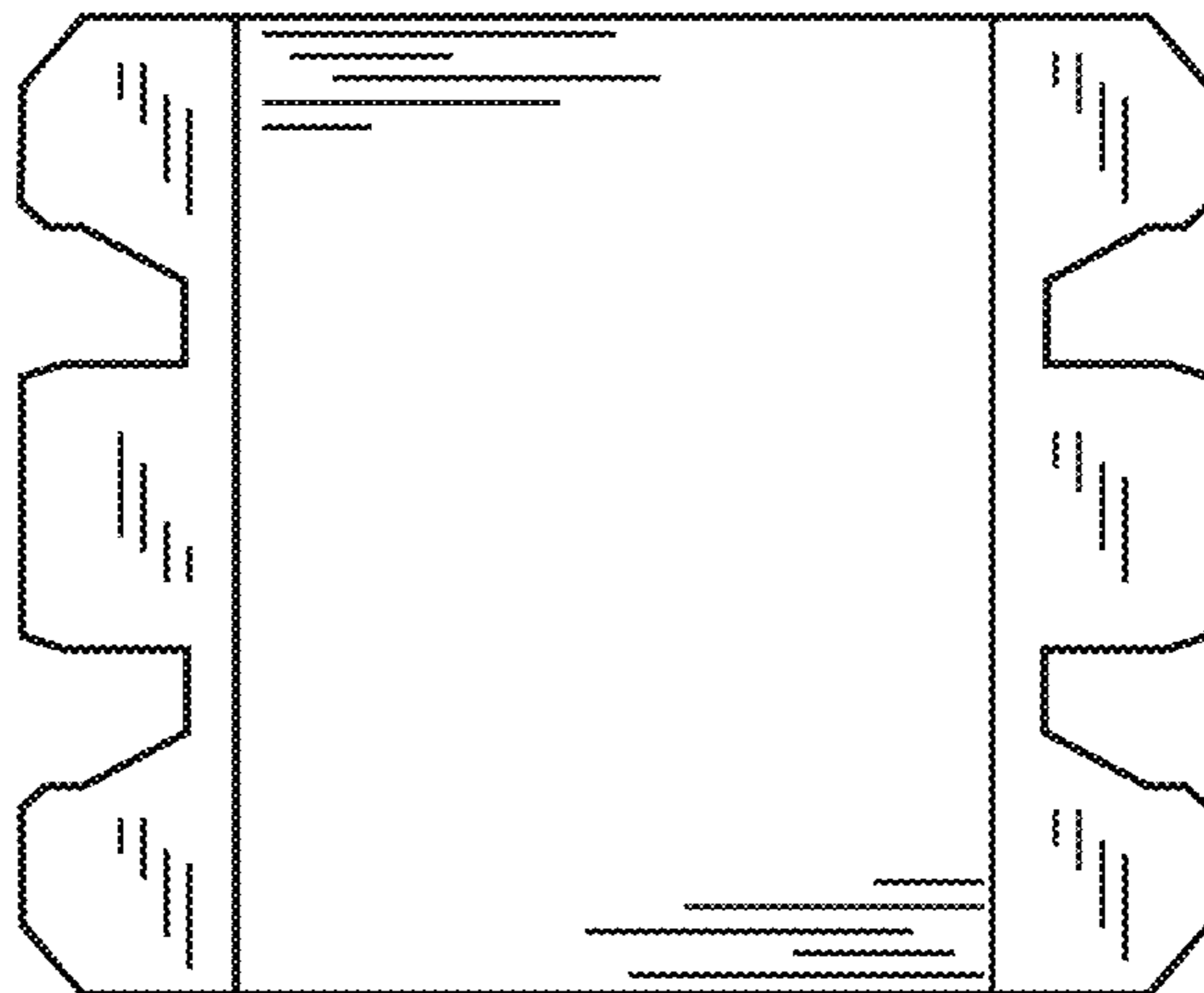


FIG. 16

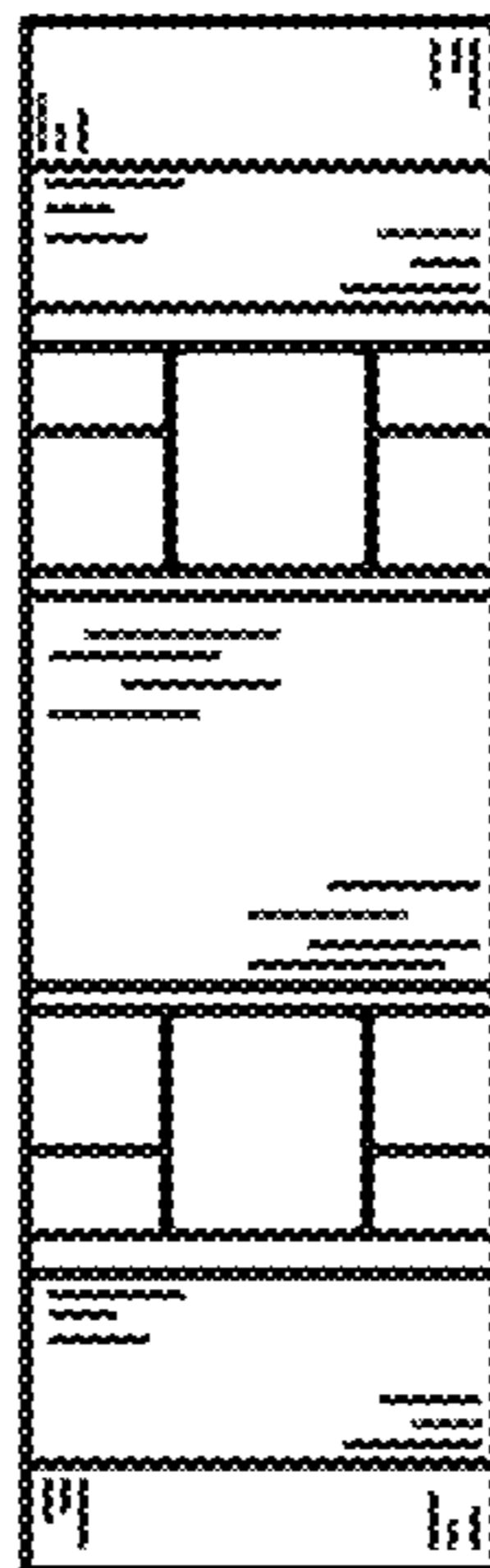


FIG. 17

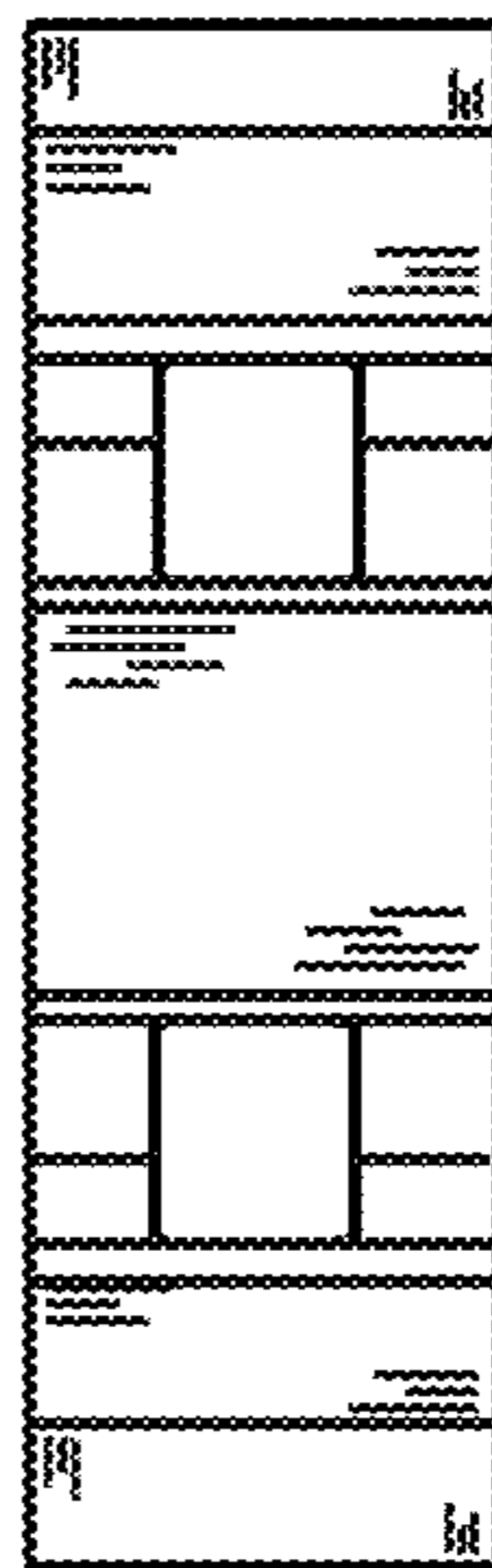


FIG. 18

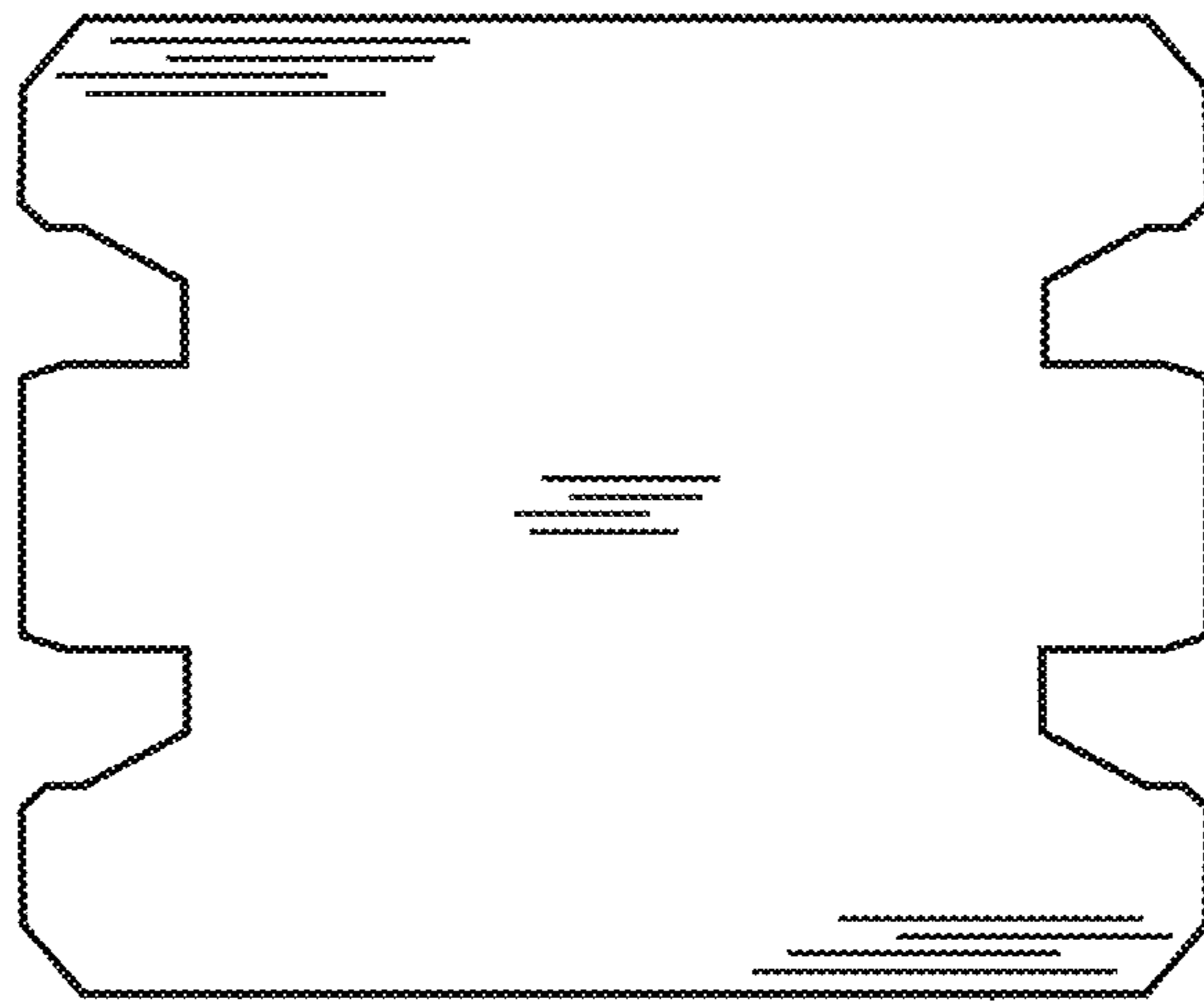


FIG. 19

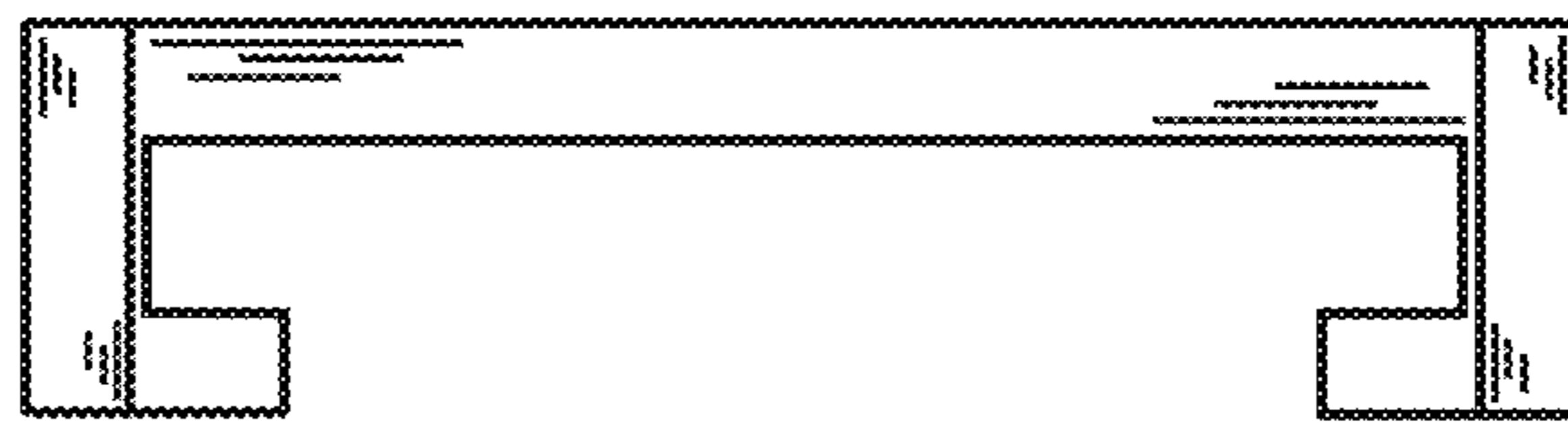


FIG. 20

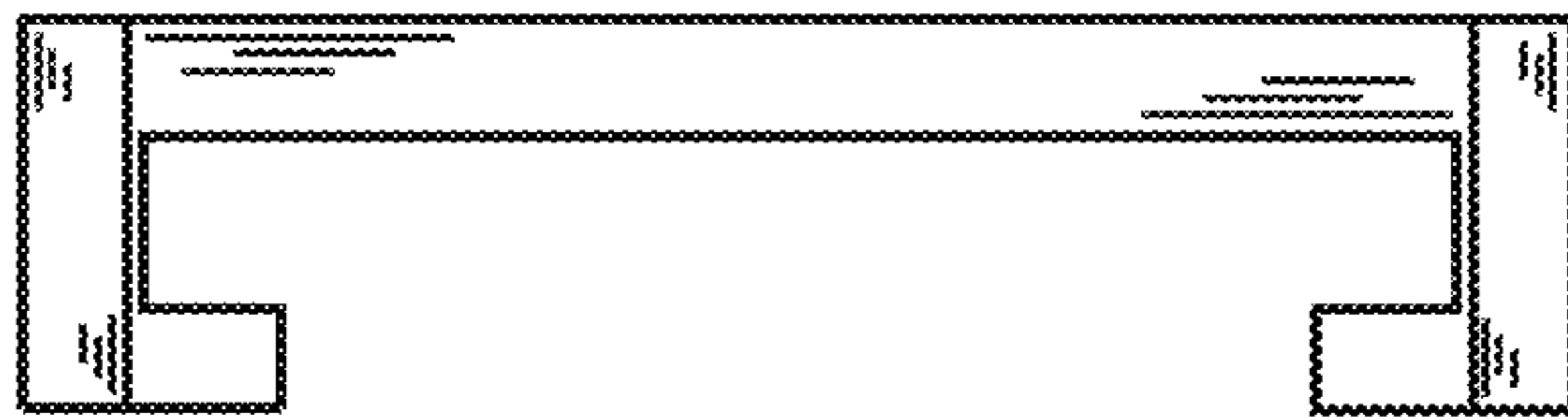


FIG. 21

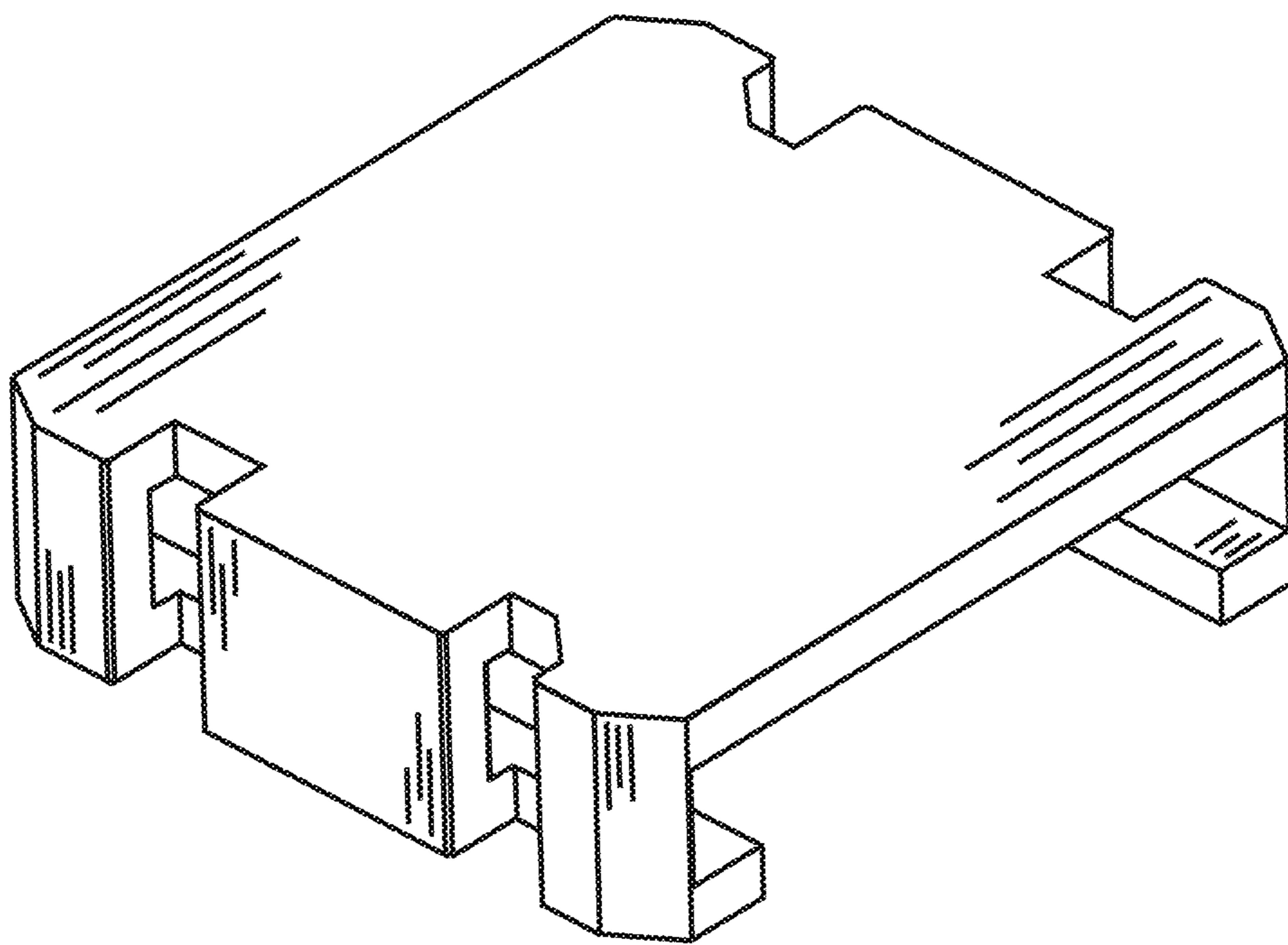


FIG. 22



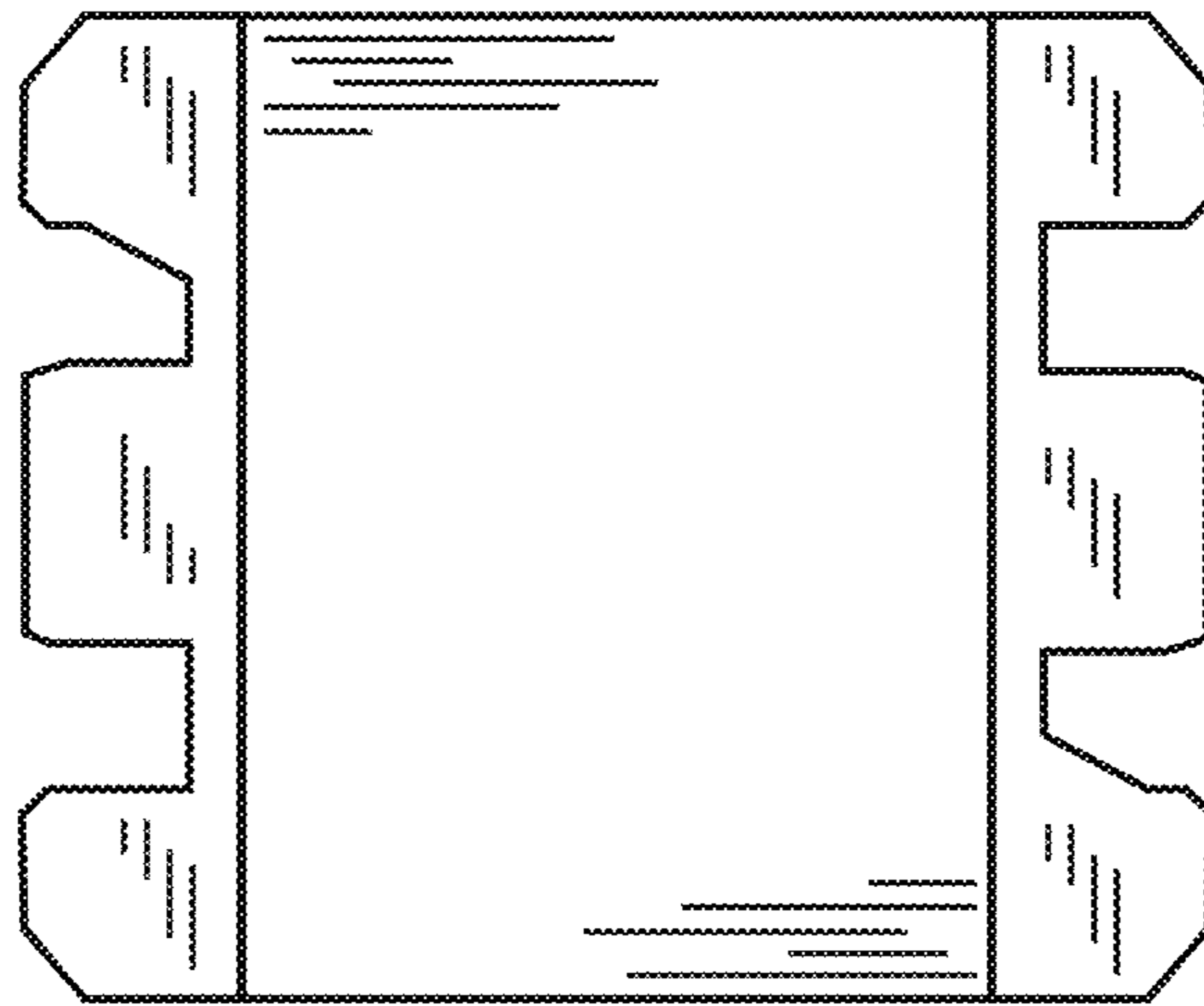


FIG. 23

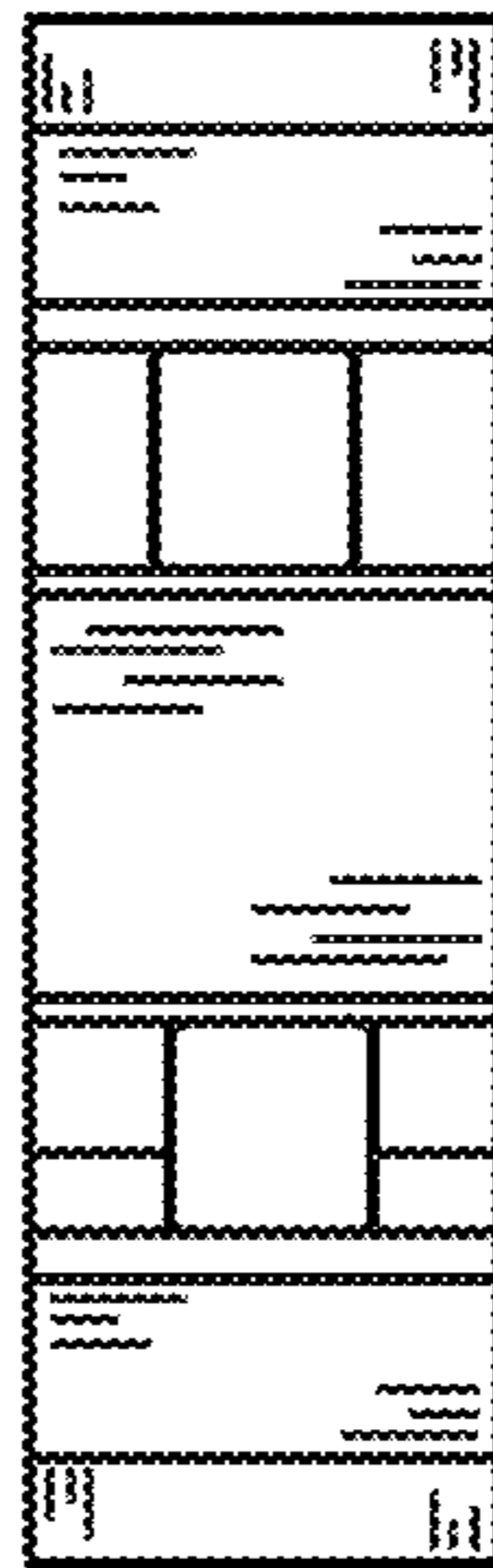


FIG. 24

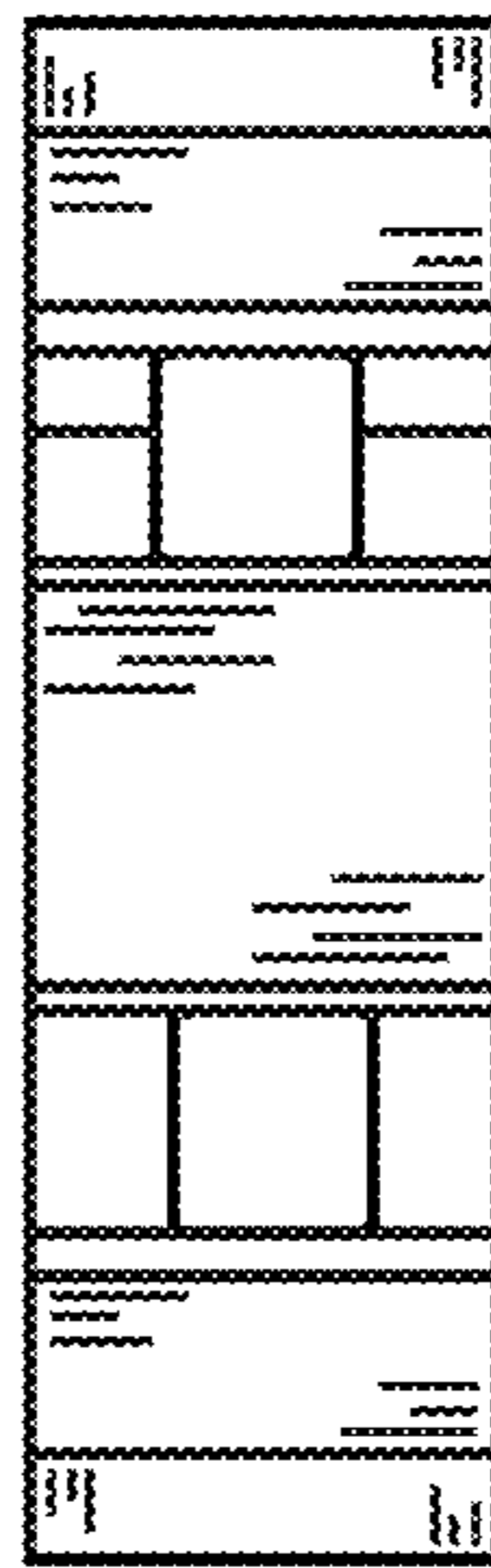


FIG. 25

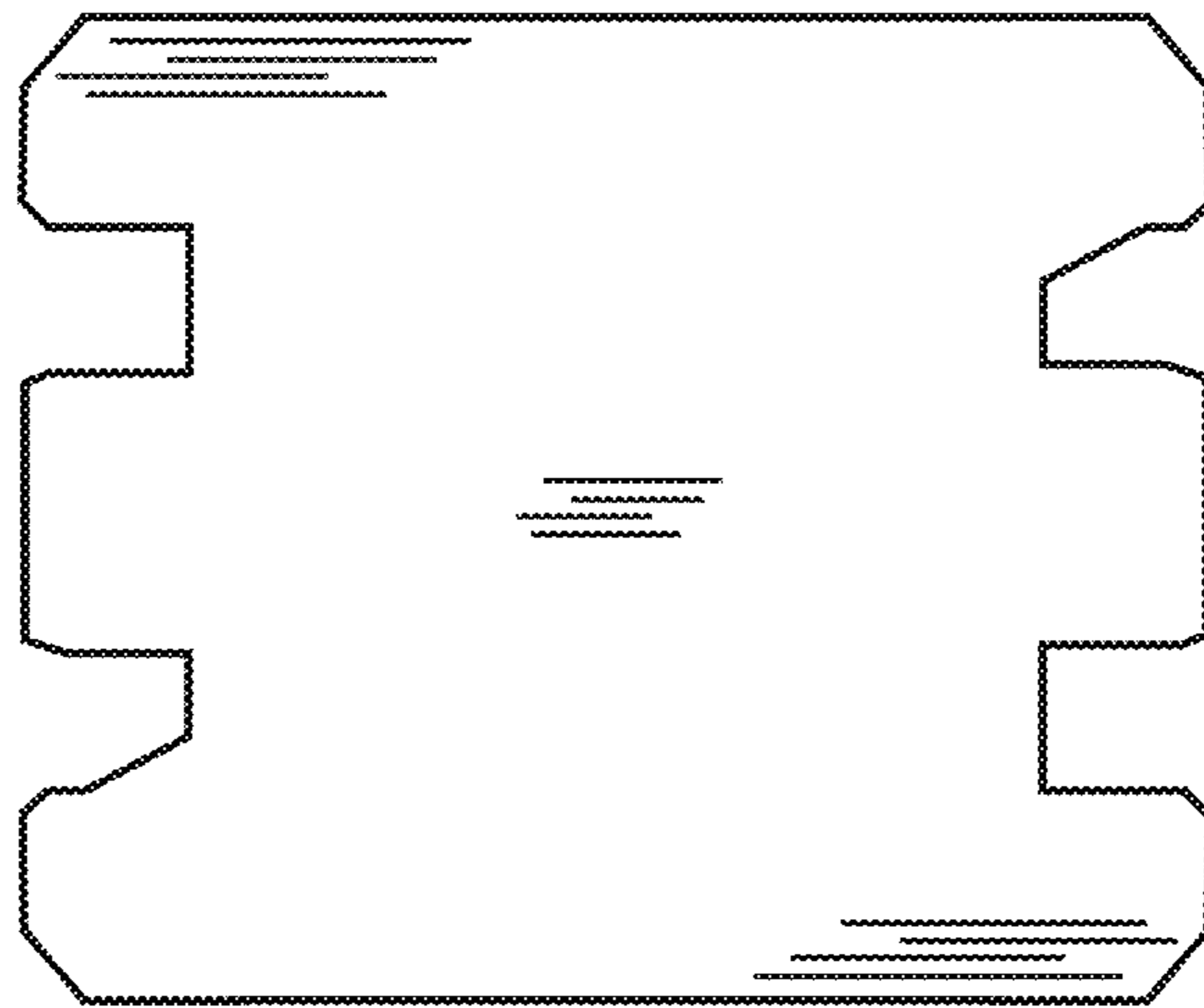


FIG. 26

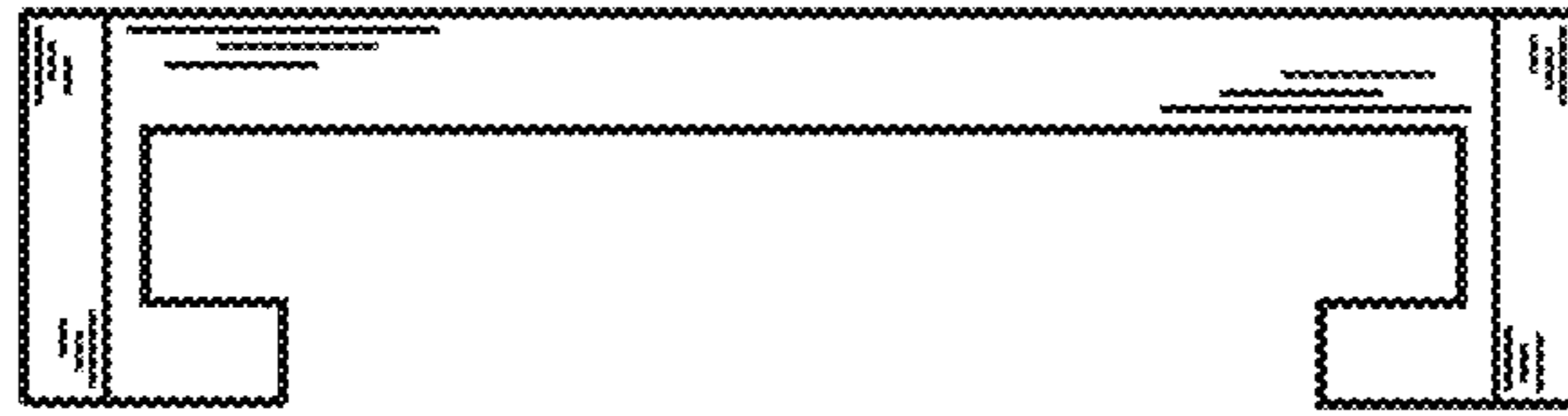


FIG. 27

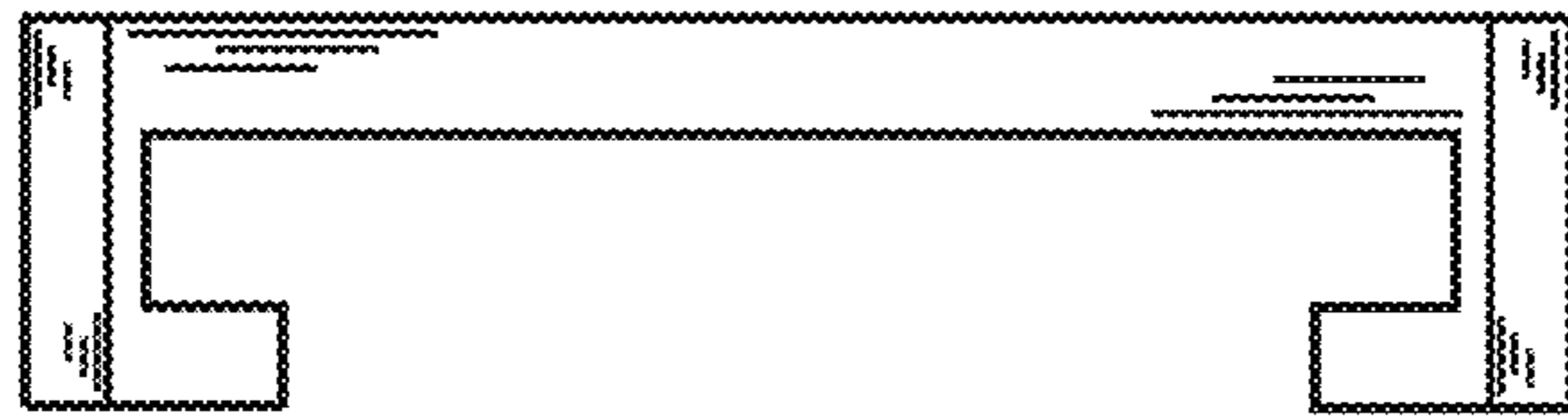


FIG. 28

UNITED STATES PATENT AND TRADEMARK OFFICE

**CERTIFICATE OF CORRECTION**

PATENT NO. : D772,704 S  
APPLICATION NO. : 29/526157  
DATED : November 29, 2016  
INVENTOR(S) : Hans Georg Hagleitner

Page 1 of 1

It is certified that error appears in the above-identified patent and that said Letters Patent is hereby corrected as shown below:

On the Title Page

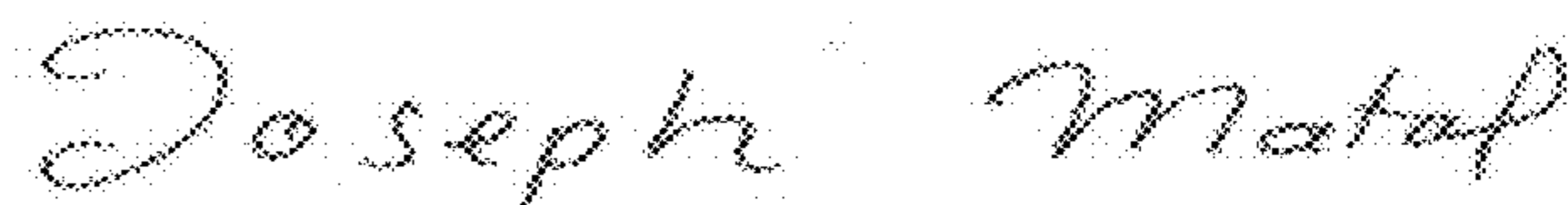
Item (56), please add:

FOREIGN PATENT DOCUMENTS

EM 000667175-01 7/2007

EM 000926613-01 4/2008

Signed and Sealed this  
Thirteenth Day of June, 2017



Joseph Matal  
*Performing the Functions and Duties of the  
Under Secretary of Commerce for Intellectual Property and  
Director of the United States Patent and Trademark Office*