



US00D772703S

(12) **United States Design Patent**  
**Choi et al.**

(10) **Patent No.:** **US D772,703 S**  
(45) **Date of Patent:** **\*\* Nov. 29, 2016**

(54) **BOX**

(71) Applicant: **Samsung Electronics Co., Ltd.**,  
Suwon-si (KR)  
(72) Inventors: **Nu-Ri Choi**, Suwon-Si (KR);  
**Seok-Young Kang**, Whaseong-Si (KR)  
(73) Assignee: **Samsung Electronics Co., Ltd.**,  
Suwon-si (KR)

(\*\*) Term: **14 Years**

(21) Appl. No.: **29/522,760**

(22) Filed: **Apr. 2, 2015**

(30) **Foreign Application Priority Data**

Dec. 12, 2014 (KR) ..... 30-2014-0060783

(51) **LOC (10) Cl.** ..... **09-03**

(52) **U.S. Cl.**  
USPC ..... **D9/433**

(58) **Field of Classification Search**  
USPC ..... D9/430, 414, 432, 524, 516, 433, 431;  
D7/543, 545, 602, 552.2, 538; 229/112  
CPC ..... B65D 1/00; B65D 5/4291; B65D 5/38;  
B65D 1/225; B65D 5/002; A47F 5/11  
See application file for complete search history.

(56) **References Cited**

**U.S. PATENT DOCUMENTS**

4,235,346 A *	11/1980	Liggett	.....	B65D 1/225 220/6
D496,276 S *	9/2004	Smith	.....	D9/432
D497,954 S *	11/2004	DeCarlo	.....	D19/77
D563,155 S *	3/2008	Wyllie	.....	D7/387
D609,275 S *	2/2010	Lam	.....	D19/86
D651,076 S *	12/2011	Van Berlo	.....	D9/433
D736,619 S *	8/2015	Parkes	.....	D9/433
D749,944 S *	2/2016	Kummerfeldt	.....	D9/432
2006/0213958 A1 *	9/2006	Valenzuela	.....	B65D 5/002 229/120

**FOREIGN PATENT DOCUMENTS**

JP	D2005-21825	4/2006
JP	D2009-11113	1/2010
JP	D2010-17345	1/2011

\* cited by examiner

*Primary Examiner* — Cynthia Underwood

(74) *Attorney, Agent, or Firm* — NSIP Law

(57) **CLAIM**

We claim the ornamental design for a box, as shown and described.

**DESCRIPTION**

FIG. 1 is a front perspective view of a box showing our new design;

FIG. 2 is a front view thereof;

FIG. 3 is a rear view thereof;

FIG. 4 is a left-side view thereof;

FIG. 5 is a right-side view thereof;

FIG. 6 is a top view thereof;

FIG. 7 is a bottom view thereof;

FIG. 8 is a front perspective view in which the box is shown in a partially assembled configuration;

FIG. 9 is a front perspective view in which the box is shown in another partially assembled configuration;

FIG. 10 is a front perspective view in which the box is shown in an assembled configuration;

FIG. 11 is a front perspective view in which the box is shown in another partially assembled position showing the perforated capsules being removed; and,

FIG. 12 is a front perspective view in which the box is shown in another partially assembled position showing the perforated capsules being removed and adhered to the corresponding surfaces of the claimed design.

The broken capsule shape features shown in FIGS. 1-9 represent perforated features that can be pushed out and forms a part of the claimed design.

The broken capsule shape features shown in FIGS. 1-9 represent perforated features that can be pushed out and forms a part of the claimed design.

**1 Claim, 9 Drawing Sheets**

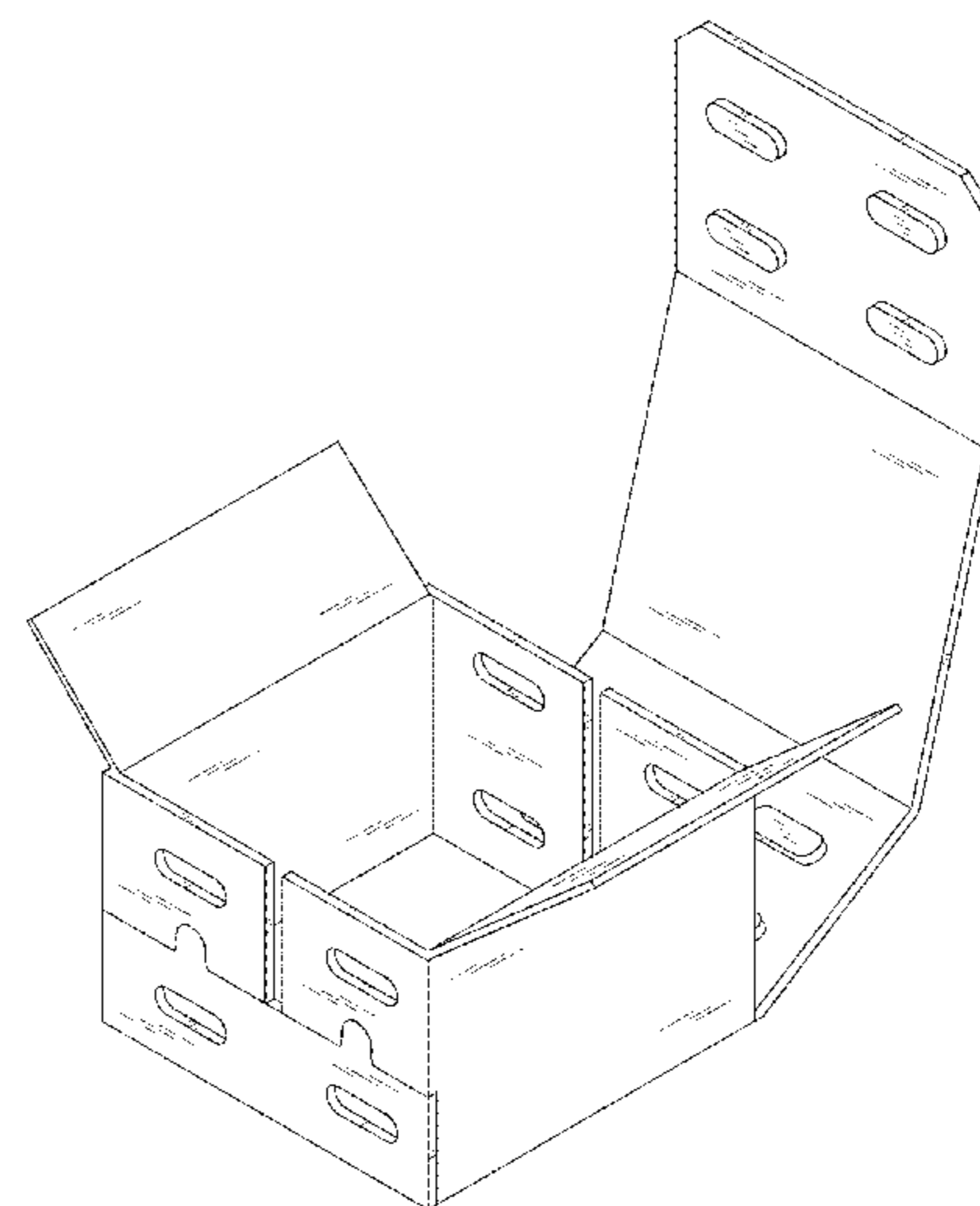
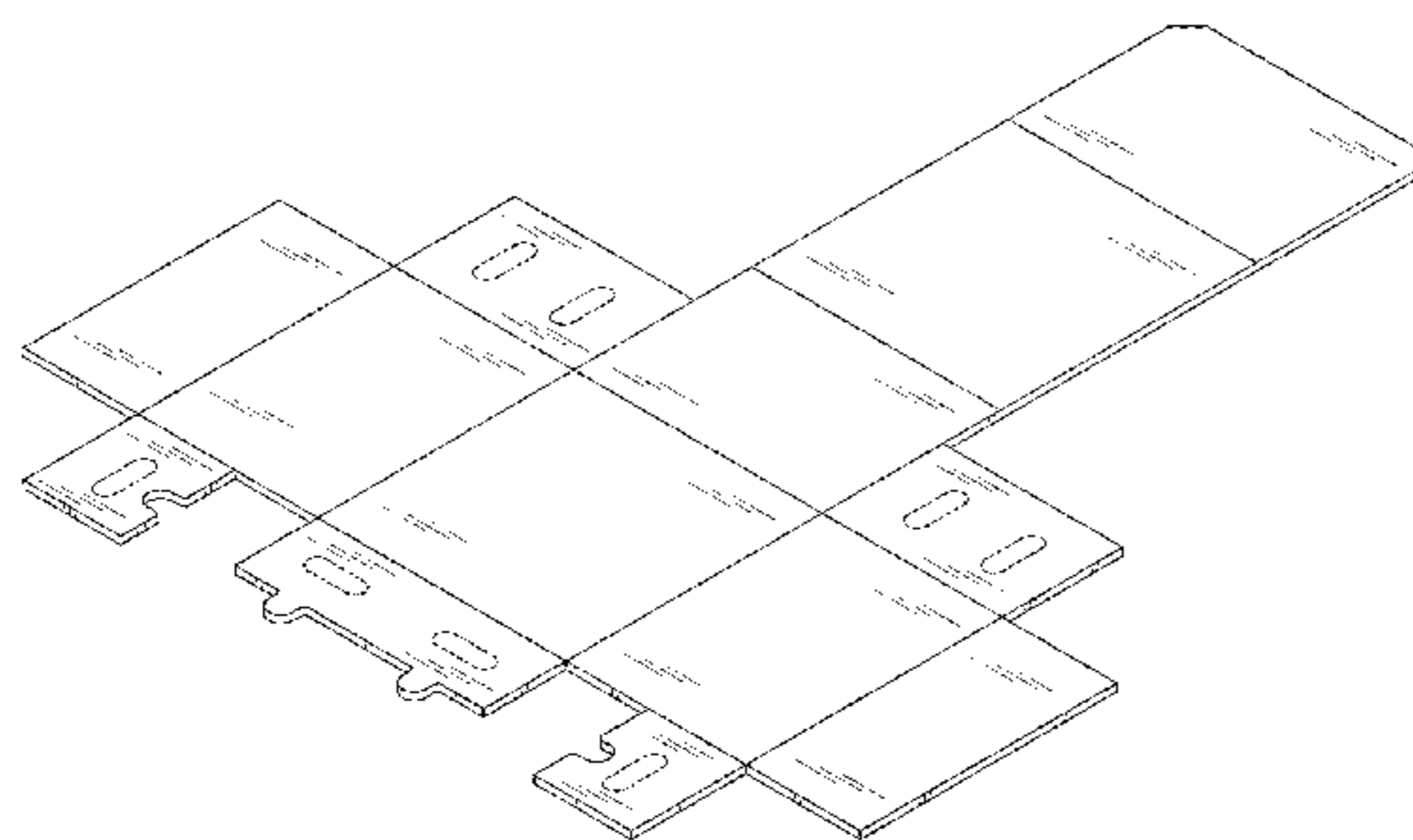


FIG. 1

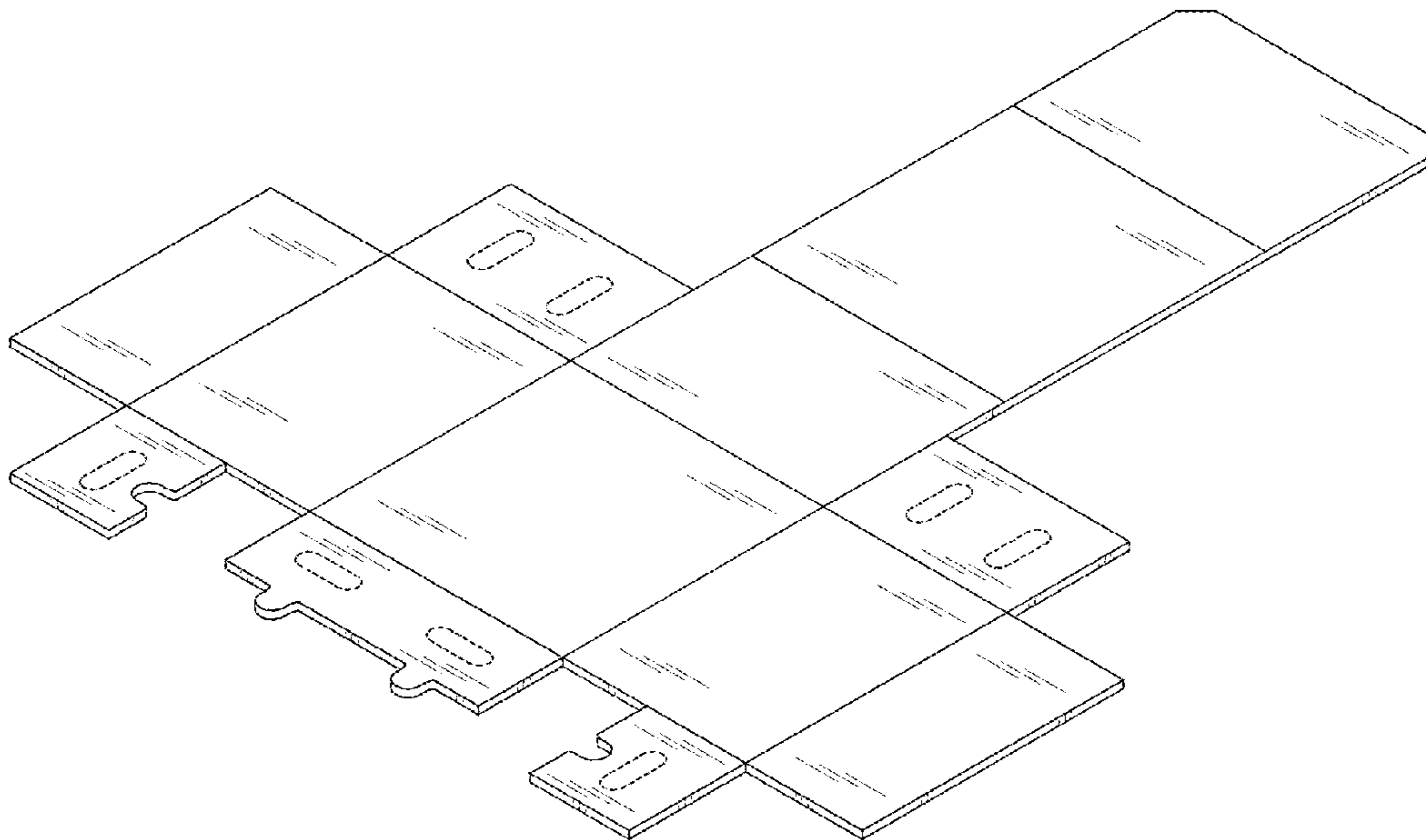


FIG. 2

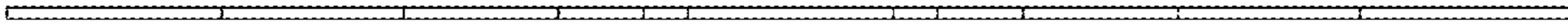


FIG. 3

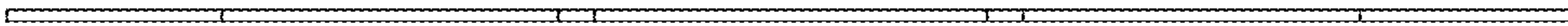


FIG. 4

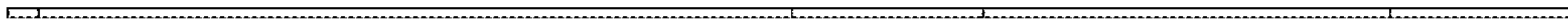


FIG. 5



FIG. 6

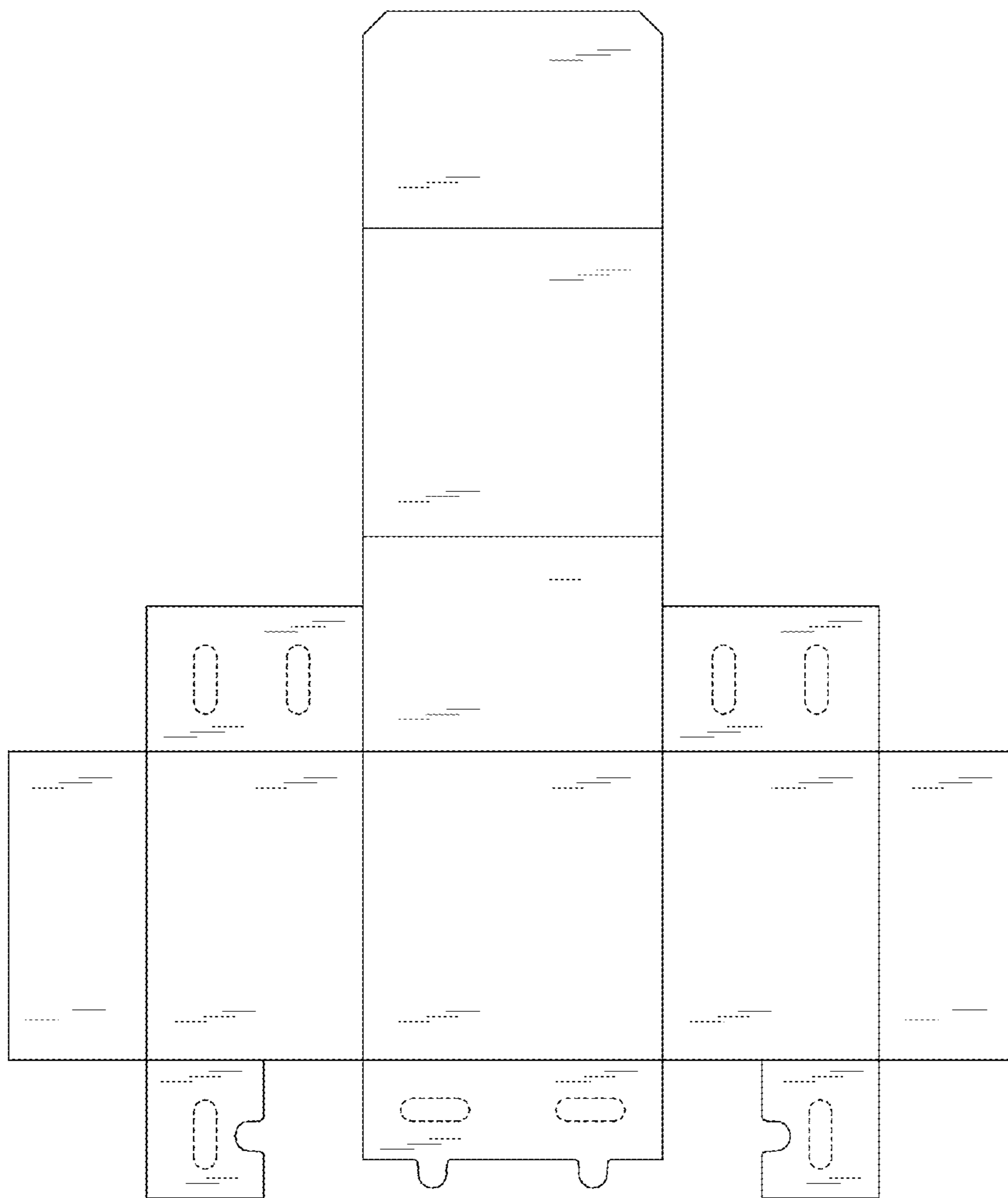


FIG. 7

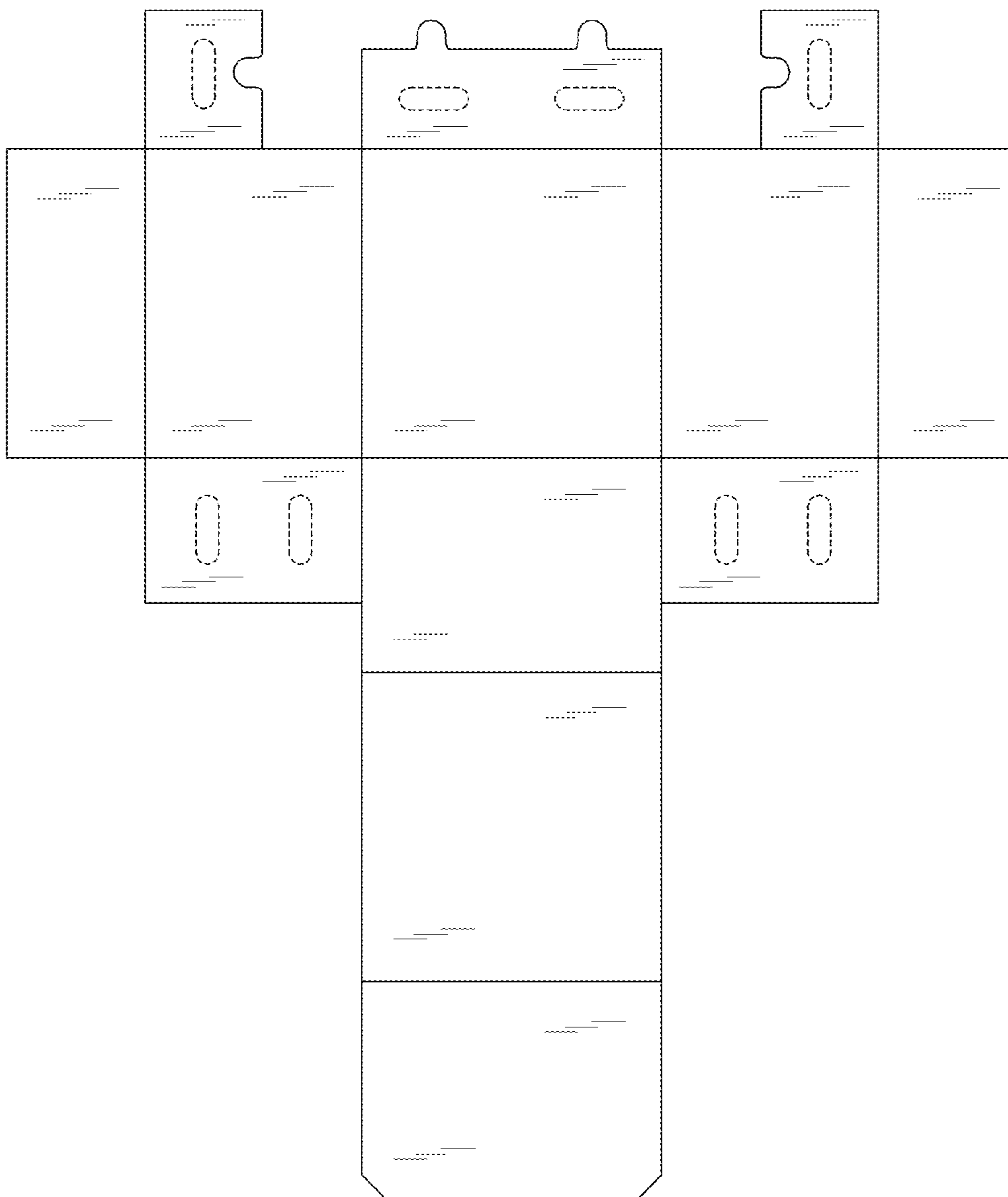


FIG. 8

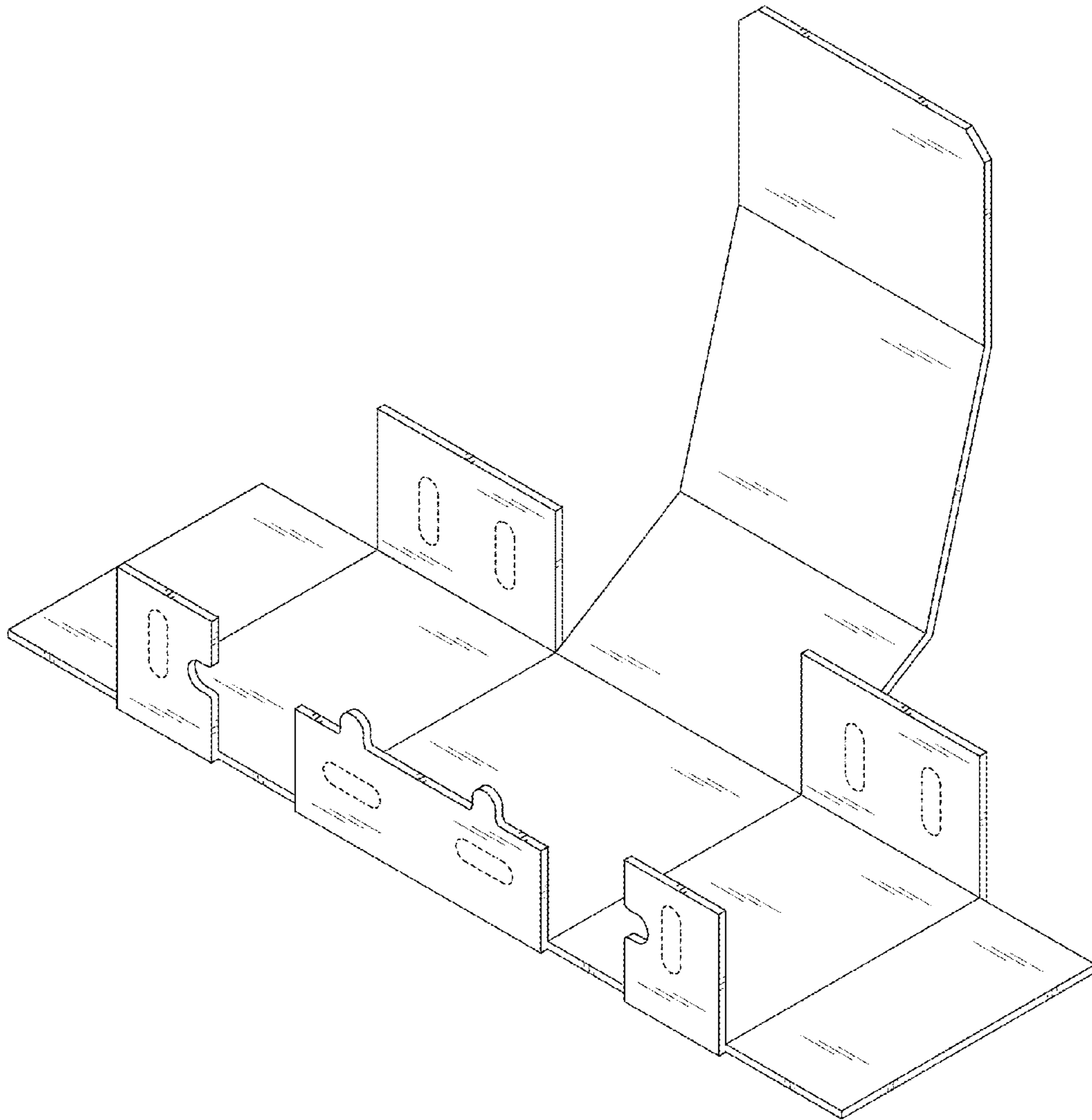


FIG. 9

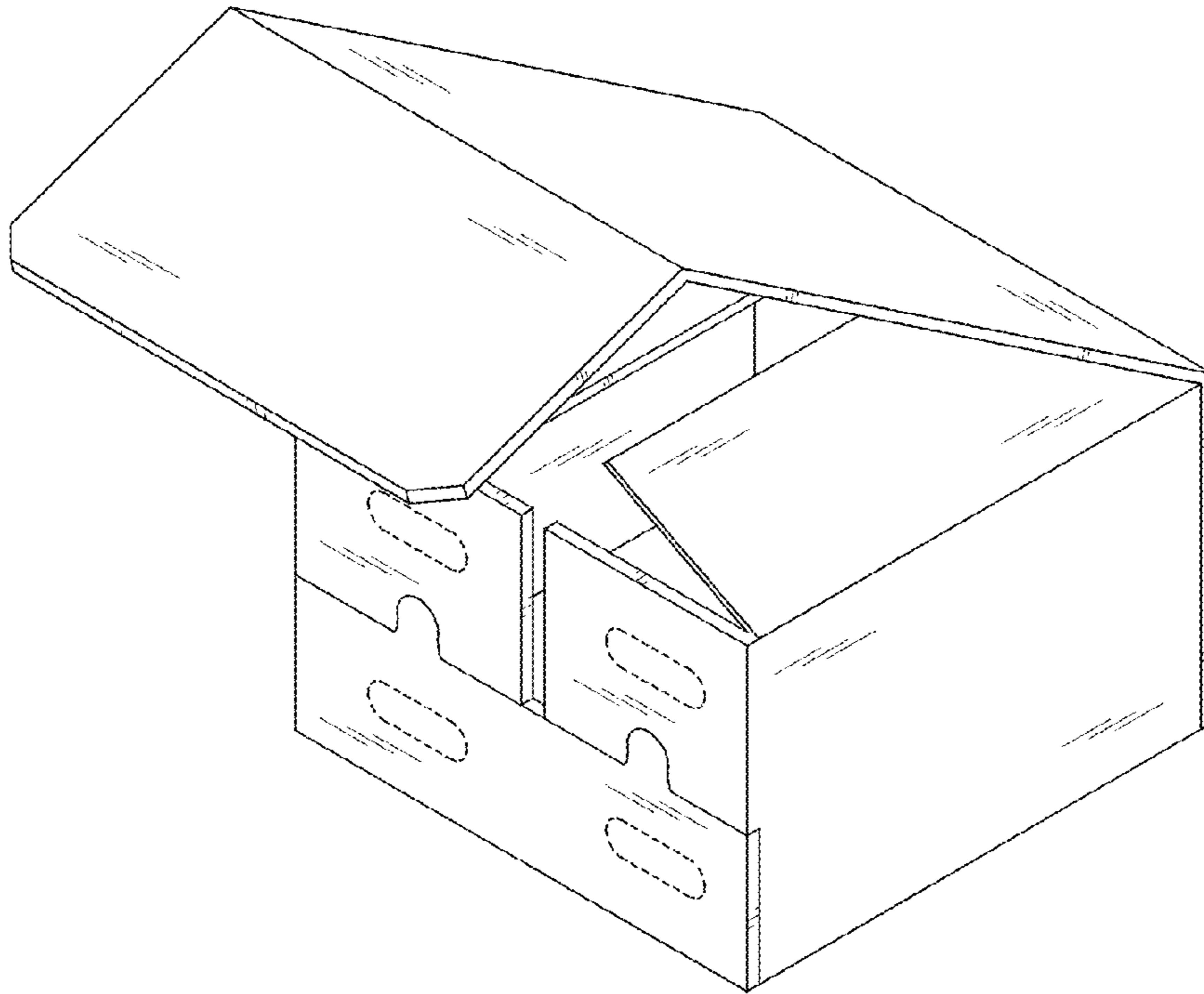


FIG. 10

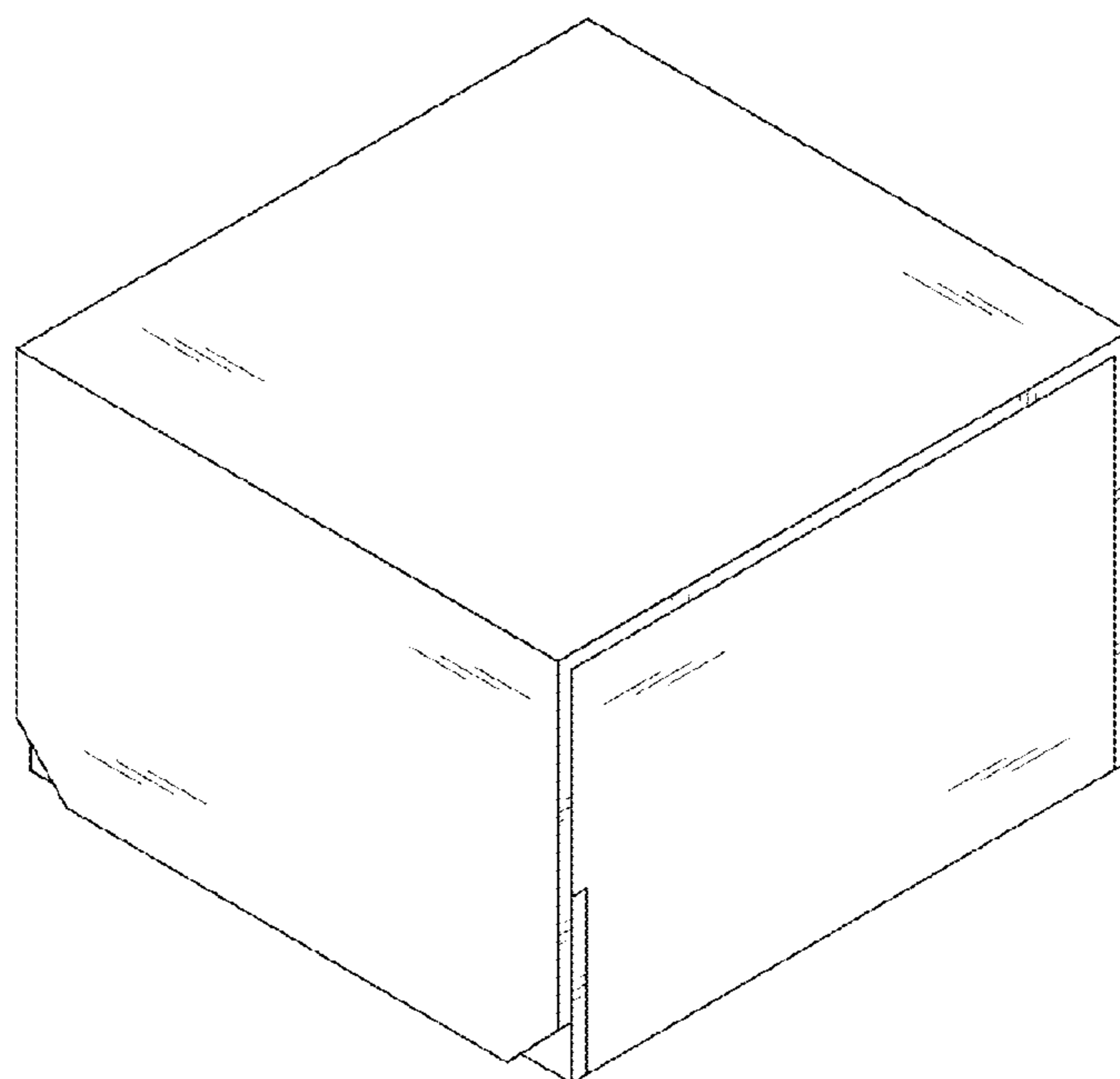




FIG. 11

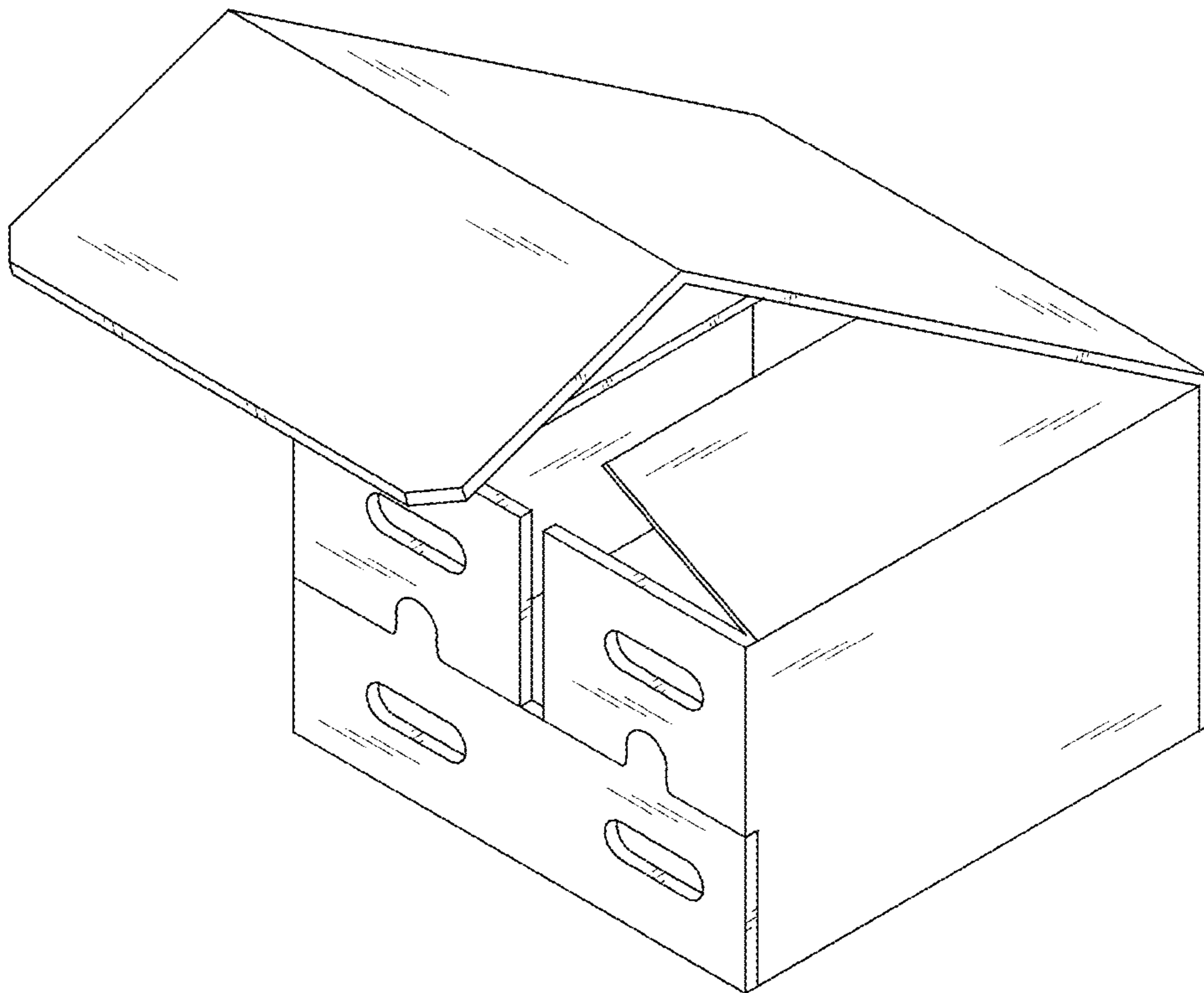


FIG. 12

