



US00D772701S

(12) **United States Design Patent** (10) **Patent No.:** **US D772,701 S**
Dziaba et al. (45) **Date of Patent:** **** Nov. 29, 2016**

(54) **CONTAINER AND LID**

- (71) Applicant: **Kraft Foods Group Brands LLC**, Northfield, IL (US)
- (72) Inventors: **Michele M. Dziaba**, Mundelein, IL (US); **Brant P. Wheaton**, Chicago, IL (US); **Andrew Thomas Tilton**, Chicago, IL (US)
- (73) Assignee: **Kraft Foods Group Brands LLC**, Chicago, IL (US)
- (**) Term: **14 Years**
- (21) Appl. No.: **29/510,173**
- (22) Filed: **Nov. 25, 2014**

Related U.S. Application Data

- (63) Continuation of application No. 29/466,521, filed on Sep. 9, 2013, now Pat. No. Des. 720,613.

- (51) **LOC (10) Cl.** **09-03**
- (52) **U.S. Cl.**
USPC **D9/428**

- (58) **Field of Classification Search**
USPC D9/414, 416, 424, 425, 428, 429, 434, D9/435, 452, 454, 456, 500, 502, 503; D7/397, 538, 601, 602, 641, 629, 900; 220/62.13, 214, 215, 240, 260, 265, 220/266, 270, 675, 796, DIG. 12
CPC B65D 2543/00034; B65D 2543/00069; B65D 2543/00083; B65D 2543/00092; B65D 2543/0049; B65D 2543/0099; B65D 2543/0074; B65D 2543/00148; B65D 2543/00174; B65D 2543/00296; B65D 2543/00231; B65D 2543/00537; B65D 2543/00555; B65D 2543/00685; B65D 2543/00759; B65D 2543/00796; B65D 43/02; B65D 43/0212; B65D 43/0222; B65D 43/1252; B65D 43/0256; B65D 43/0293; B65D 2517/5078; B65D 2517/5083; B65D 1/10; B65D 1/16; B65D 2101/003; B65D 15/08; B65D 2251/023

See application file for complete search history.

(56) **References Cited**

U.S. PATENT DOCUMENTS

3,301,459	A *	1/1967	Gardner	B65D 43/0256
				220/266
3,362,569	A *	1/1968	Geiger	B21D 51/383
				220/268
3,777,968	A *	12/1973	Law	B65D 43/0268
				215/254
D276,401	S *	11/1984	Daenen	D7/602
D330,312	S *	10/1992	Narsutis	D7/629
D362,932	S *	10/1995	Brightbill	D32/37
D425,416	S *	5/2000	Denham	D9/416
D467,800	S *	12/2002	Chen	D9/428
D630,512	S *	1/2011	Venier	D9/425
D632,559	S *	2/2011	Georgiadis	D9/424
D641,628	S *	7/2011	Baughman	D9/452
D650,660	S *	12/2011	Shiffer	D9/425
D650,661	S *	12/2011	Shiffer	D9/425
D650,662	S *	12/2011	Shiffer	D9/425
D666,876	S *	9/2012	Rusnak	D7/602
D669,313	S *	10/2012	Paladino	D7/602
D675,518	S *	2/2013	Wheaton	D9/424
D679,991	S *	4/2013	Hudson	D9/428
D682,108	S *	5/2013	Berggren	D9/454
D706,131	S *	6/2014	Brooks	D9/428
8,851,314	B2 *	10/2014	Hudson	B65D 43/0212
				206/541
D718,983	S *	12/2014	Yessin	D7/629
D720,613	S *	1/2015	Dziaba	D9/424
D748,991	S *	2/2016	Cerrato	D9/737
2007/0062948	A1 *	3/2007	Albrecht	B65D 43/0212
				220/266

* cited by examiner

Primary Examiner — Derrick Holland
Assistant Examiner — Lauren Calve
(74) *Attorney, Agent, or Firm* — Fitch, Even, Tabin & Flannery LLP

(57) **CLAIM**
The ornamental design for a container and lid, as shown and described.

DESCRIPTION

FIG. 1 is a perspective view of a first embodiment of a container and lid showing our new design;

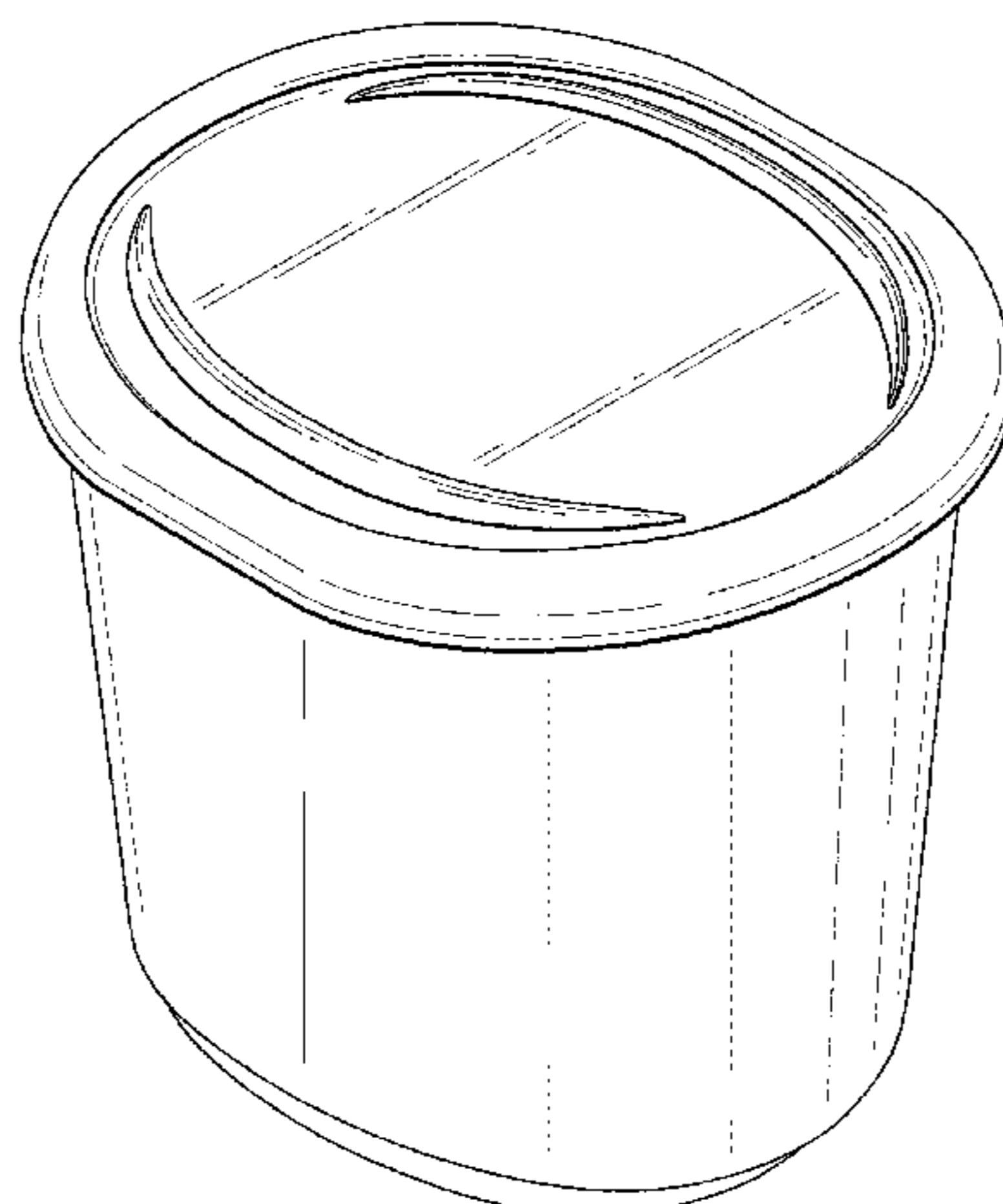


FIG. 2 is a top plan view of the container and lid of FIG. 1; FIG. 3 is a bottom plan view of the container and lid of FIG. 1;

FIG. 4 is a front elevation view of the container and lid of FIG. 1, the rear elevation view being identical thereto;

FIG. 5 is a right side elevation view of the container and lid of FIG. 1; the left side elevation view being identical thereto;

FIG. 6 is a perspective view of a second embodiment of a container and lid showing our new design, the top plan view and bottom plan view thereof shown in FIGS. 2 and 3 respectively;

FIG. 7 is a front elevation view of the container and lid of FIG. 6, the rear elevation view being identical thereto;

FIG. 8 is a right side elevation view of the container and lid of FIG. 6; the left side elevation view being identical thereto;

FIG. 9 is a perspective view of a third embodiment of a container and lid showing our new design, the top plan view and bottom plan view thereof shown in FIGS. 2 and 3 respectively;

FIG. 10 is a front elevation view of the container and lid of FIG. 9, the rear elevation view being identical thereto;

FIG. 11 is a right side elevation view of the container and lid of FIG. 9, the left side elevation view being identical thereto;

FIG. 12 is a perspective view of a fourth embodiment of a container and lid showing our new design, the top plan view and bottom plan view thereof shown in FIGS. 2 and 3 respectively;

FIG. 13 is a front elevation view of the container and lid of FIG. 12, the rear elevation view being an identical image; and,

FIG. 14 is a right side elevation view of the container and lid of FIG. 12, the left side elevation view thereof being an identical image.

The broken lines shown represent unclaimed subject matter and form no part of the claimed design.

The claim is shown with a symbolic break in its length. The appearance of any portion of the article between the break lines forms no part of the claimed design.

The broken lines that represent the non-specified length form no part of the claimed design.

1 Claim, 9 Drawing Sheets

FIG. 1

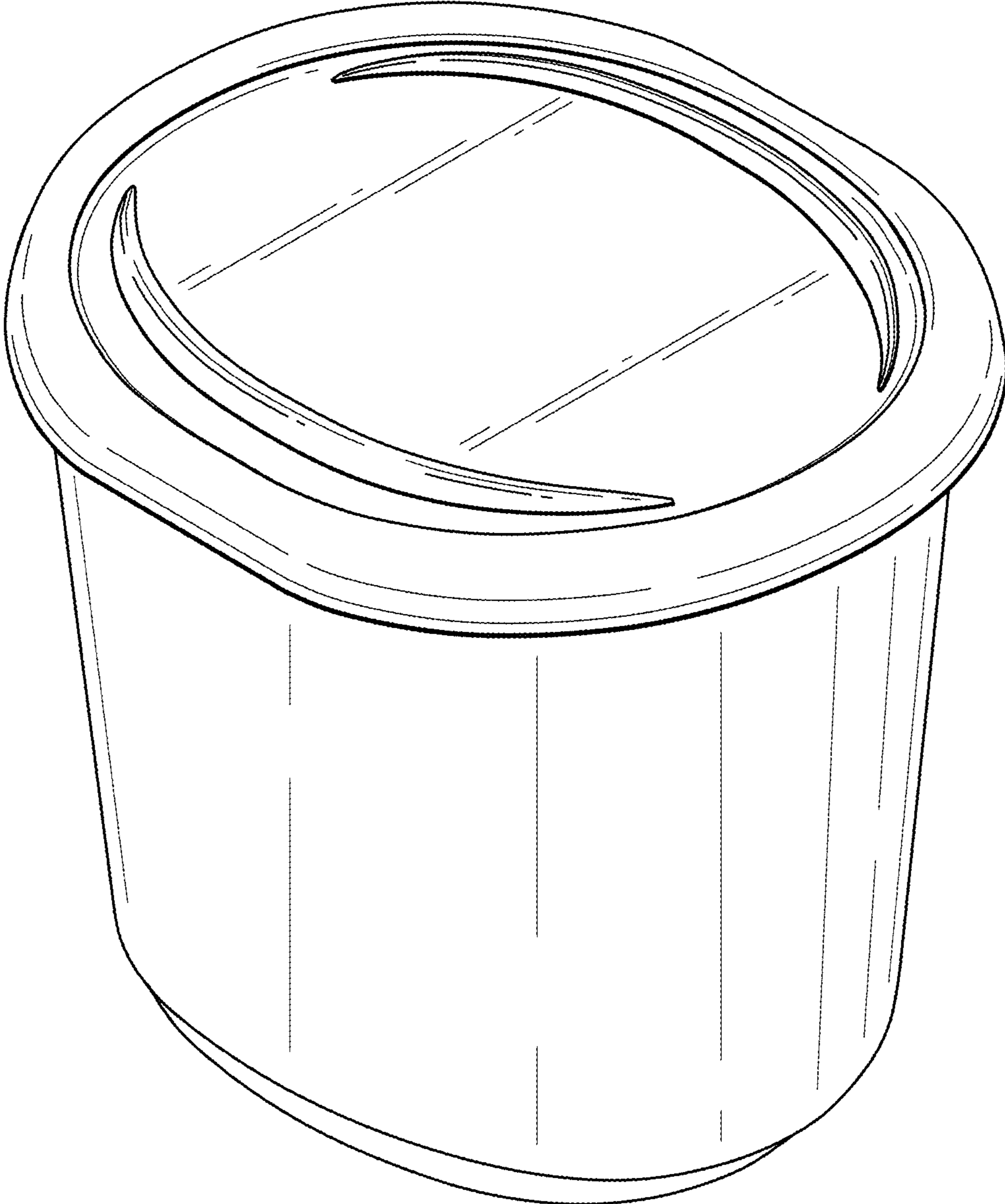


FIG. 2

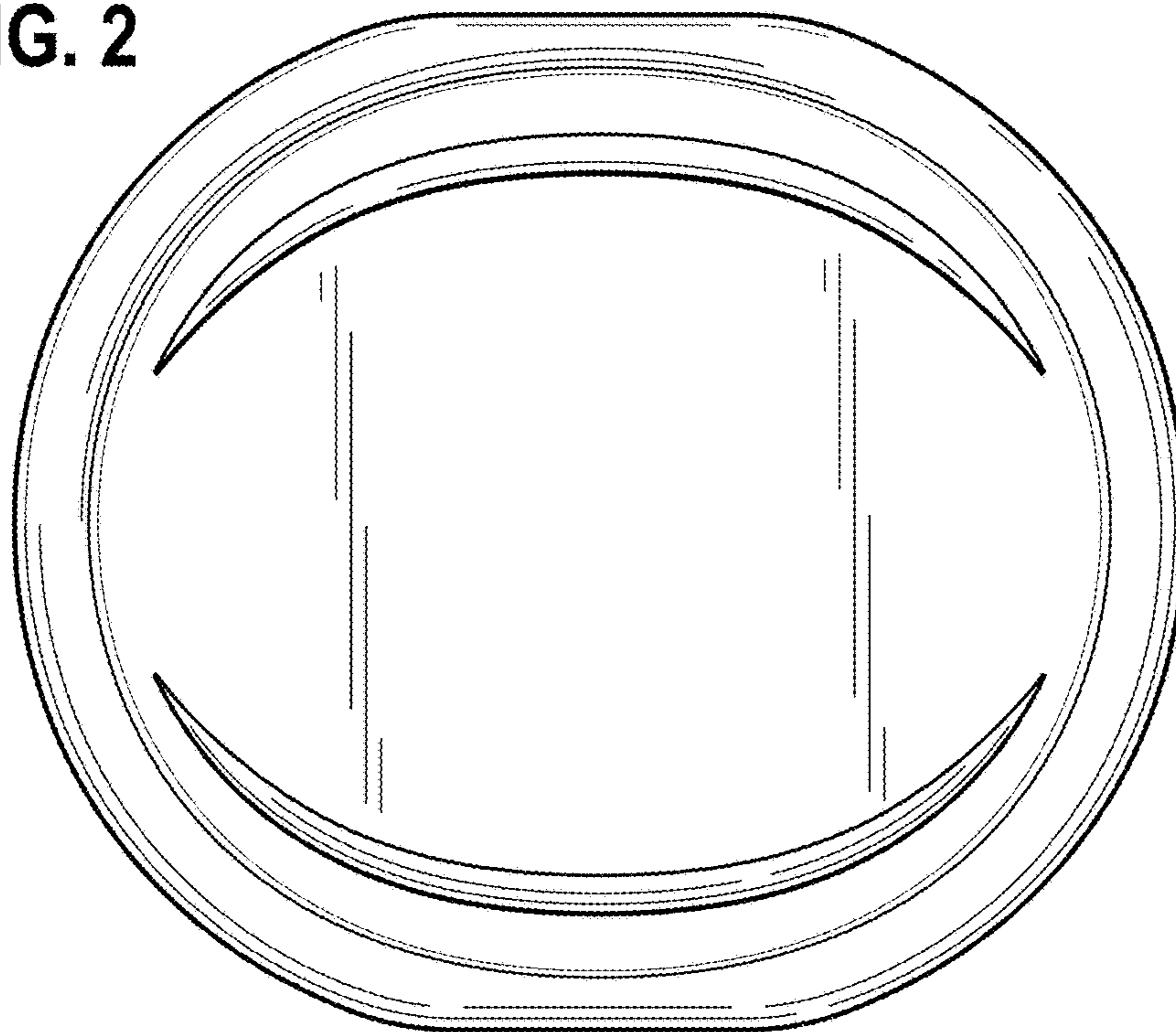


FIG. 3

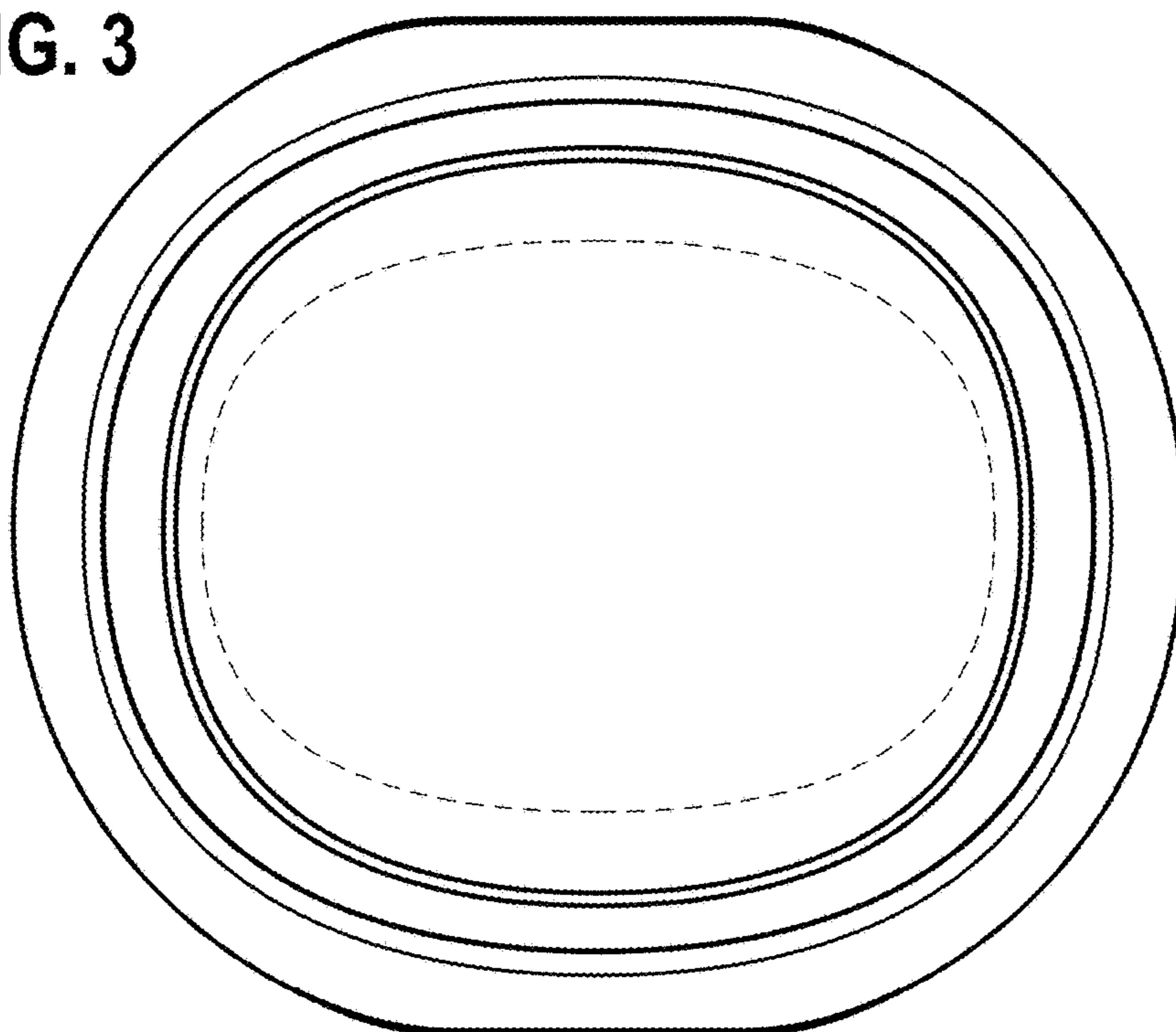


FIG. 4

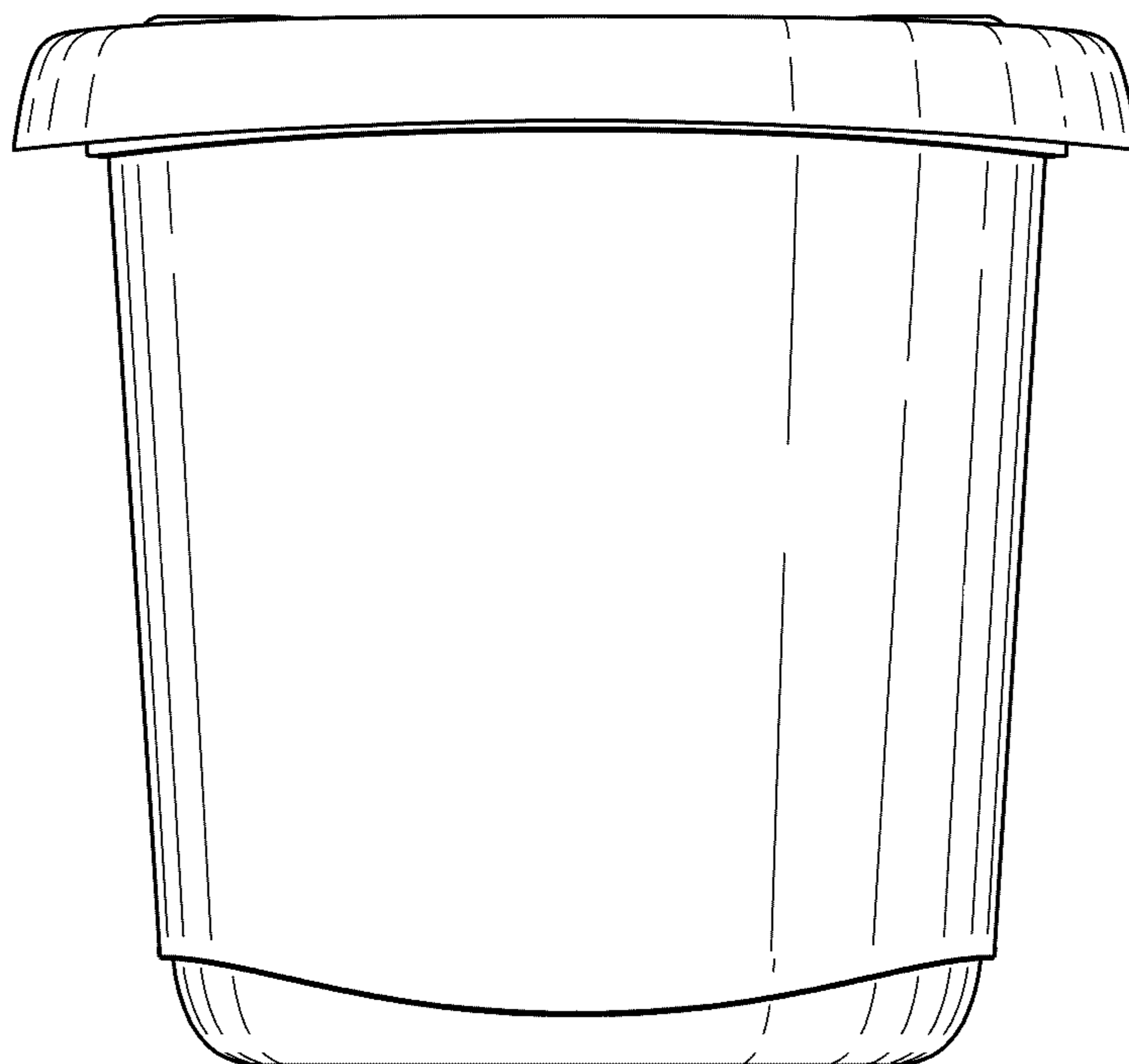


FIG. 5

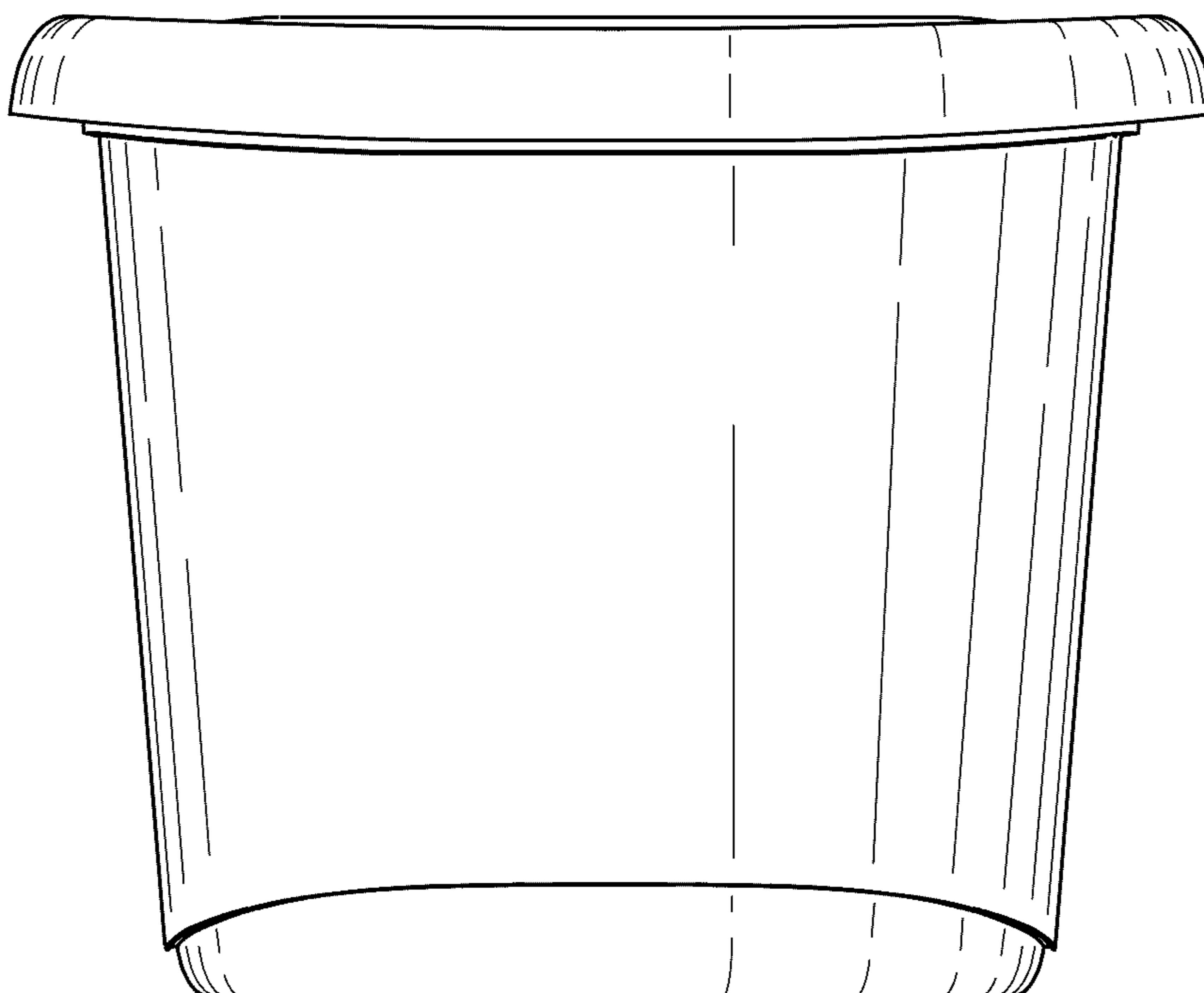


FIG. 6

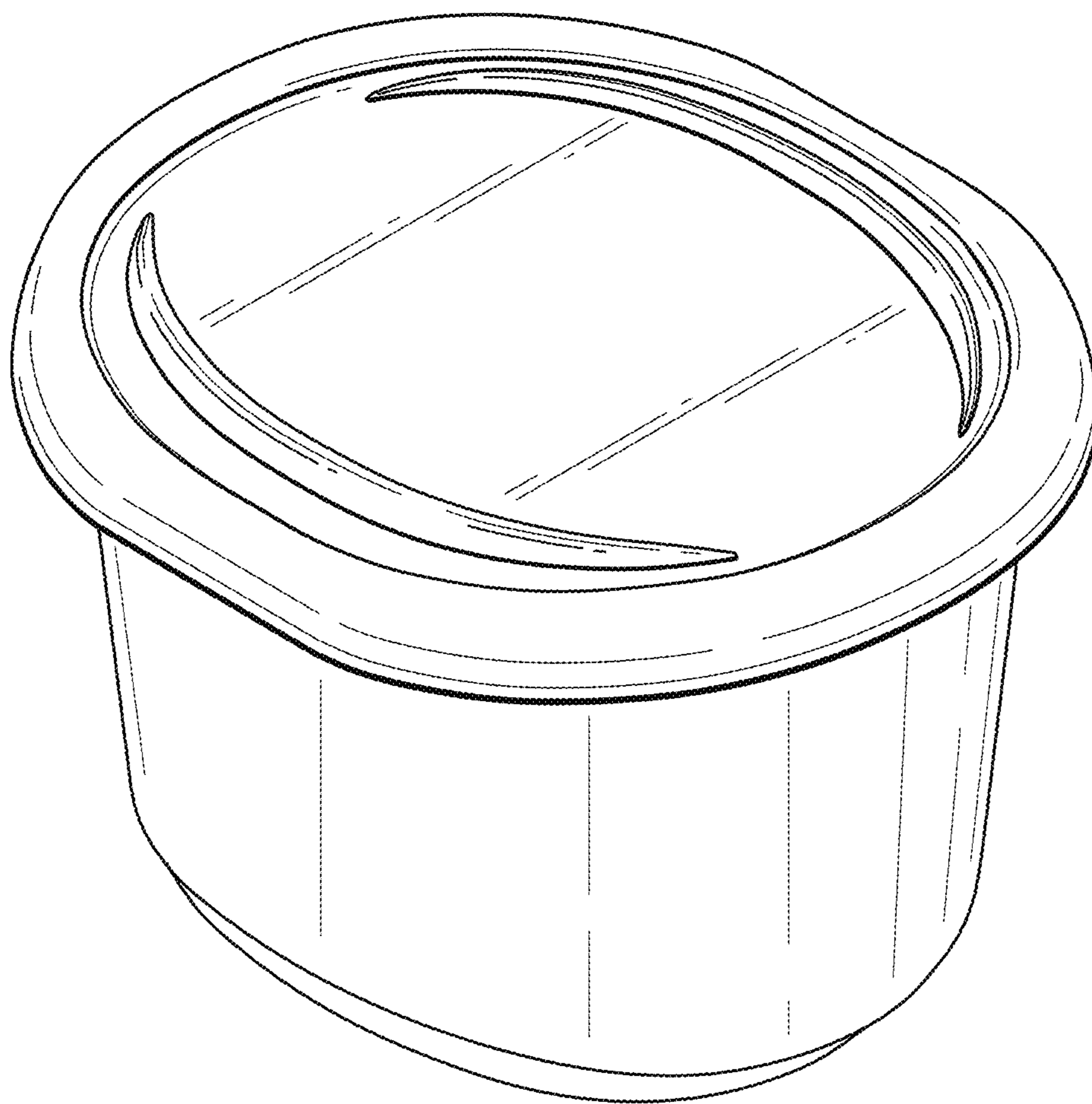


FIG. 7

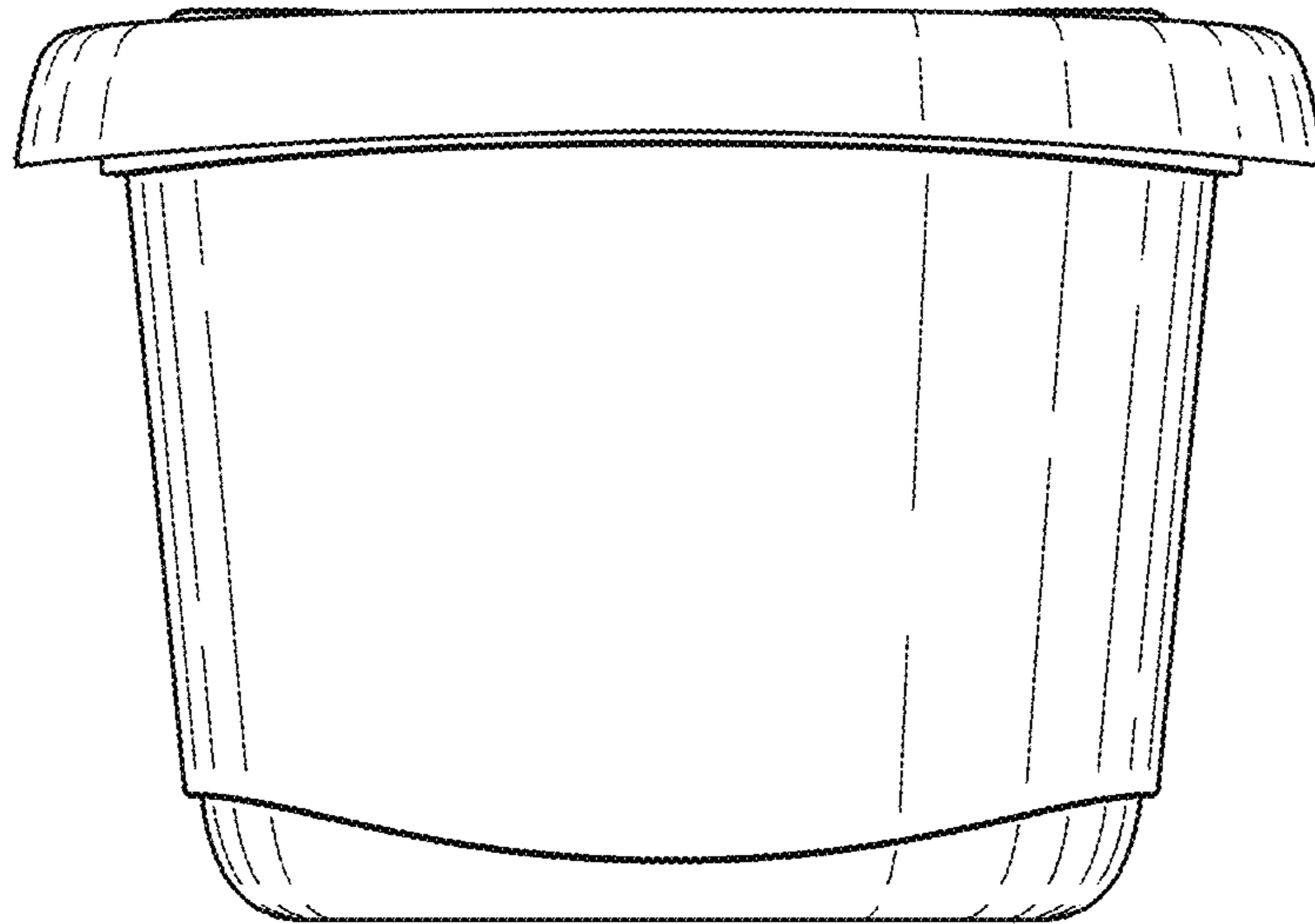


FIG. 8

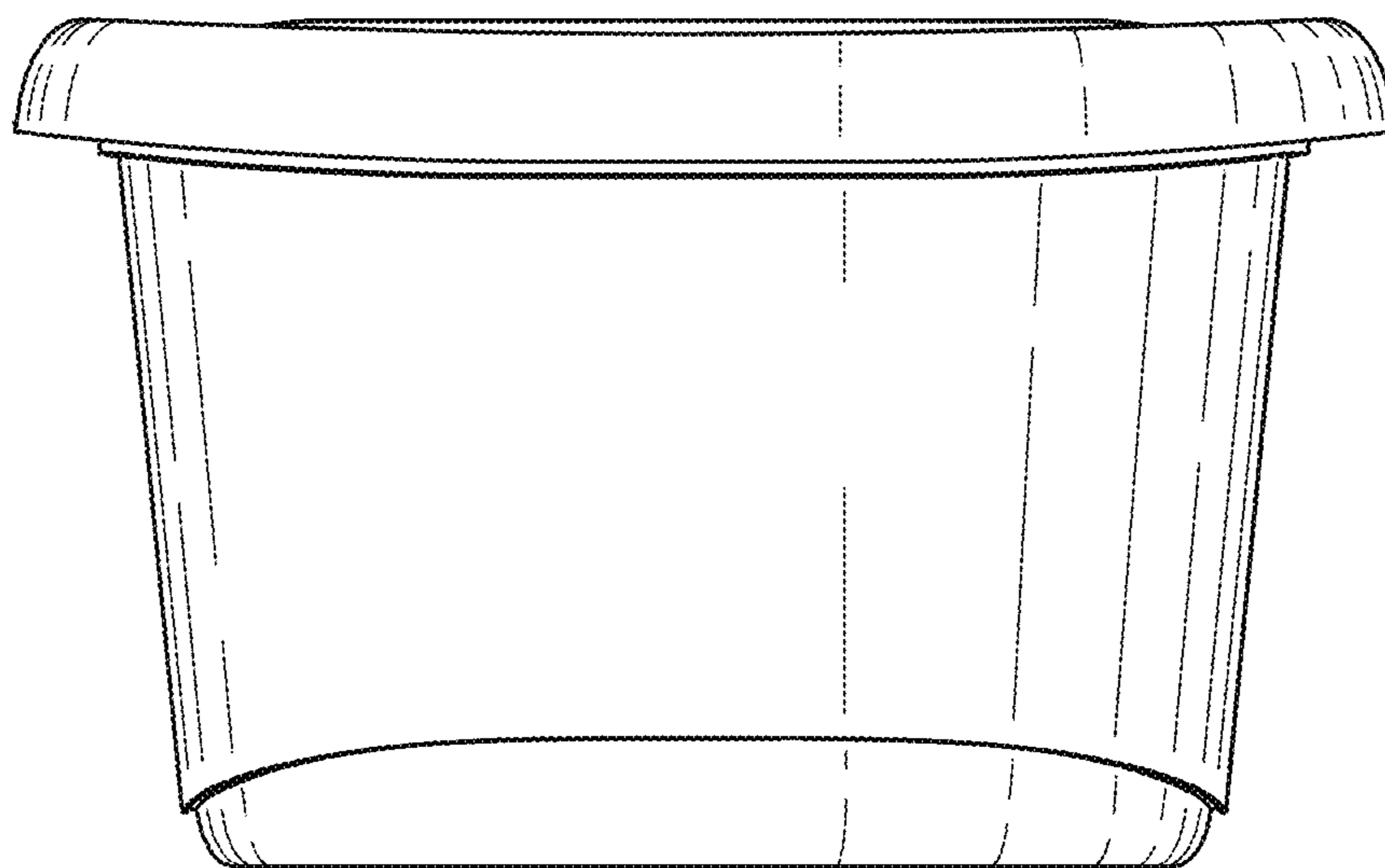


FIG. 9

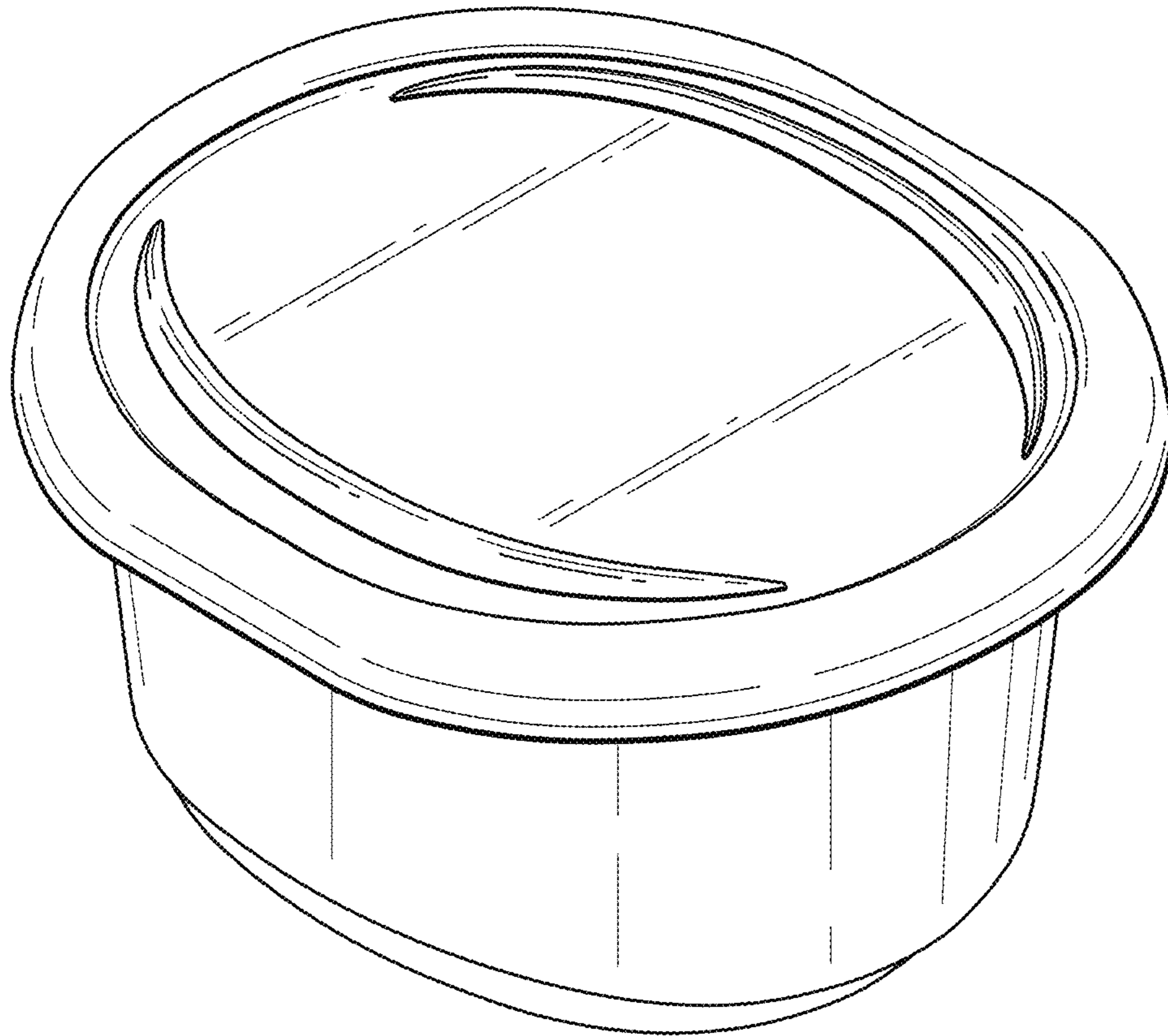


FIG. 10

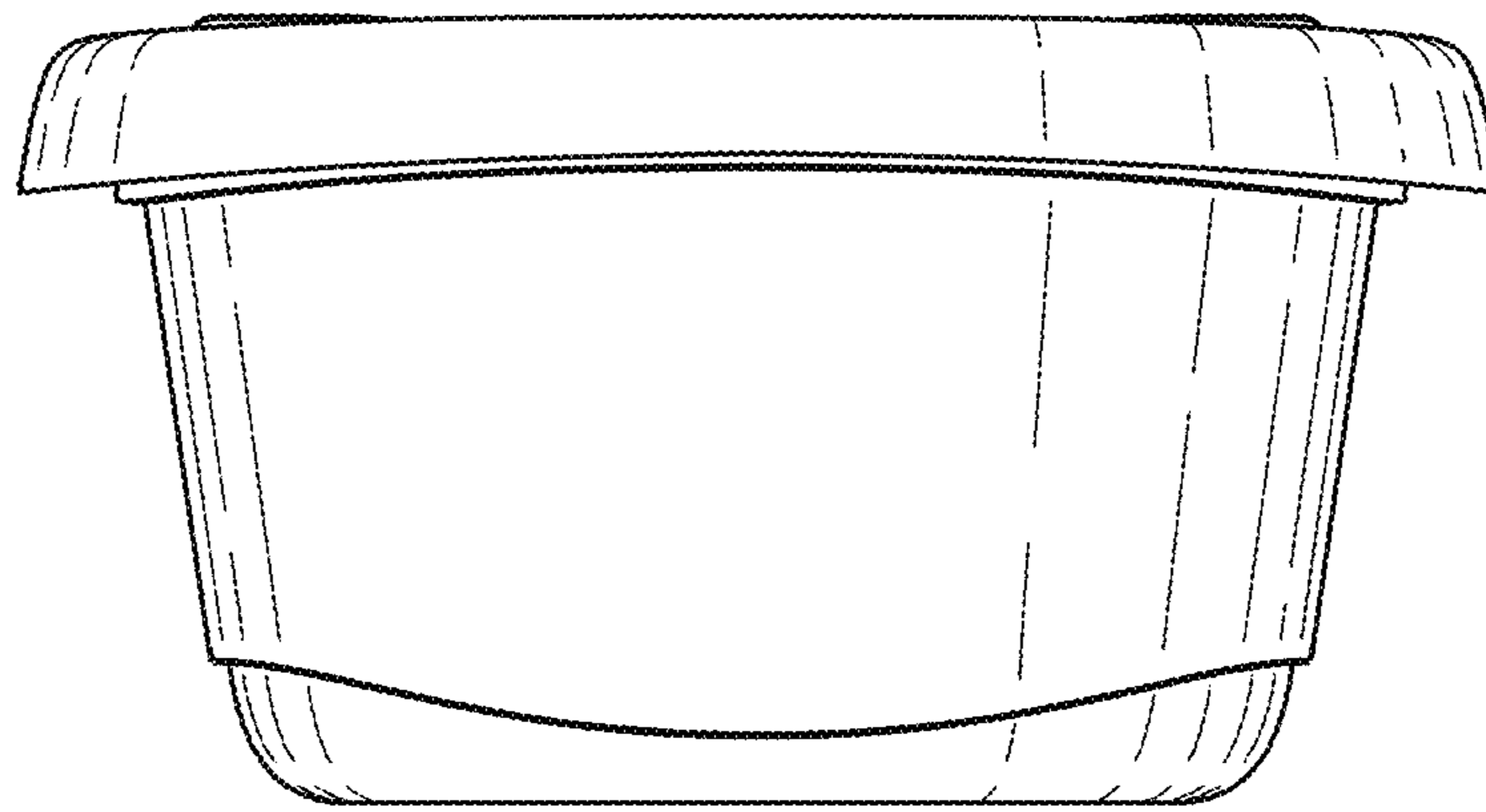


FIG. 11

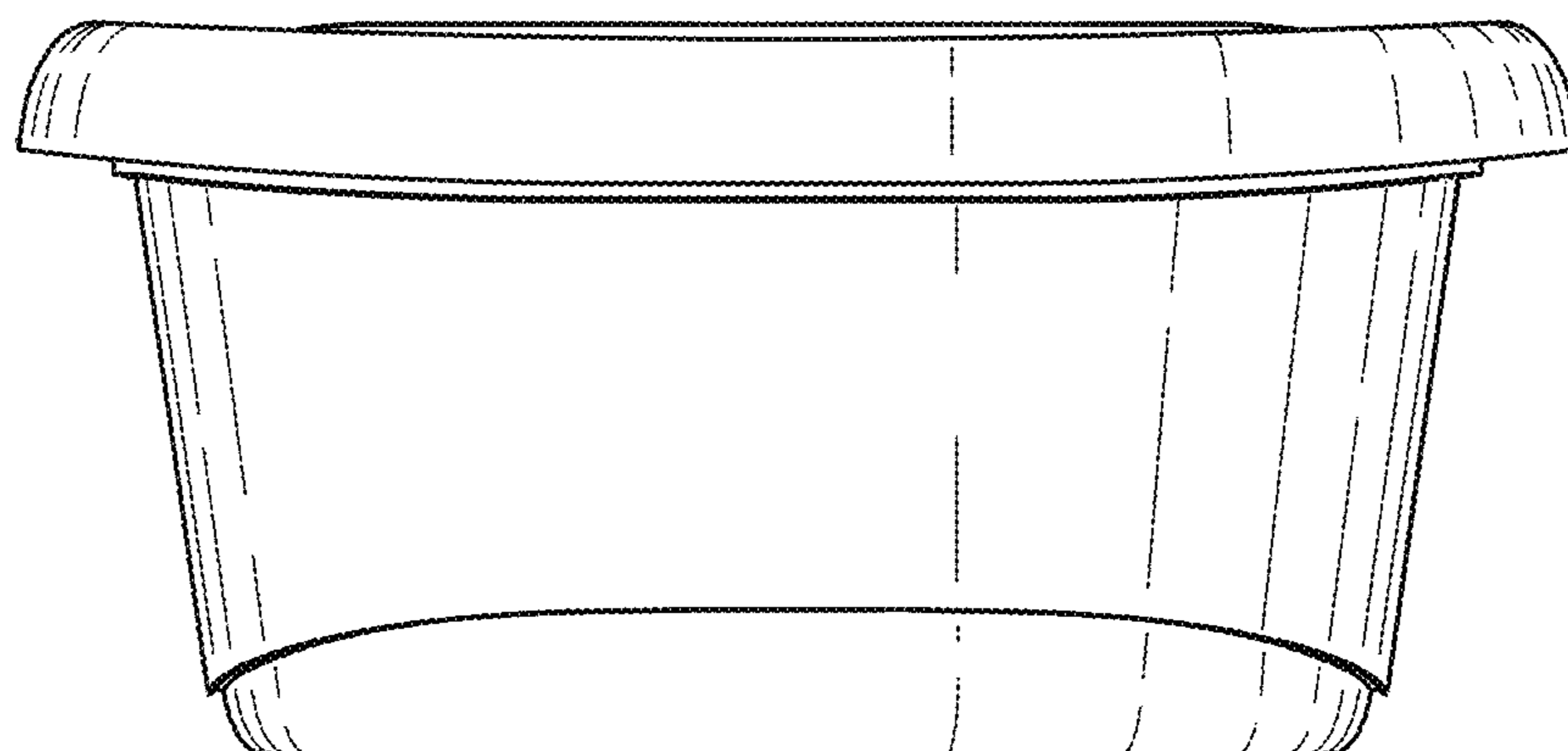


FIG. 12

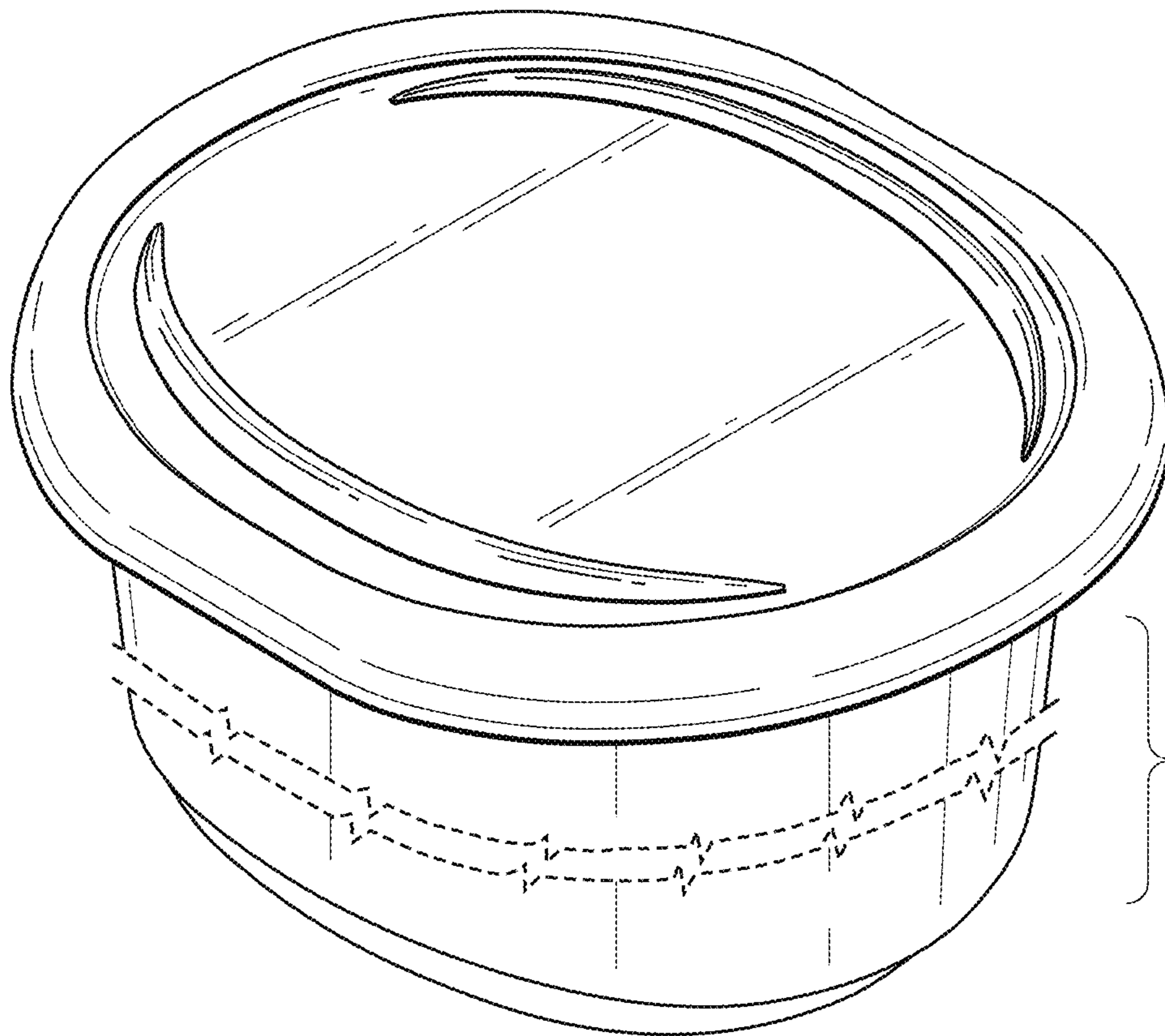


FIG. 13

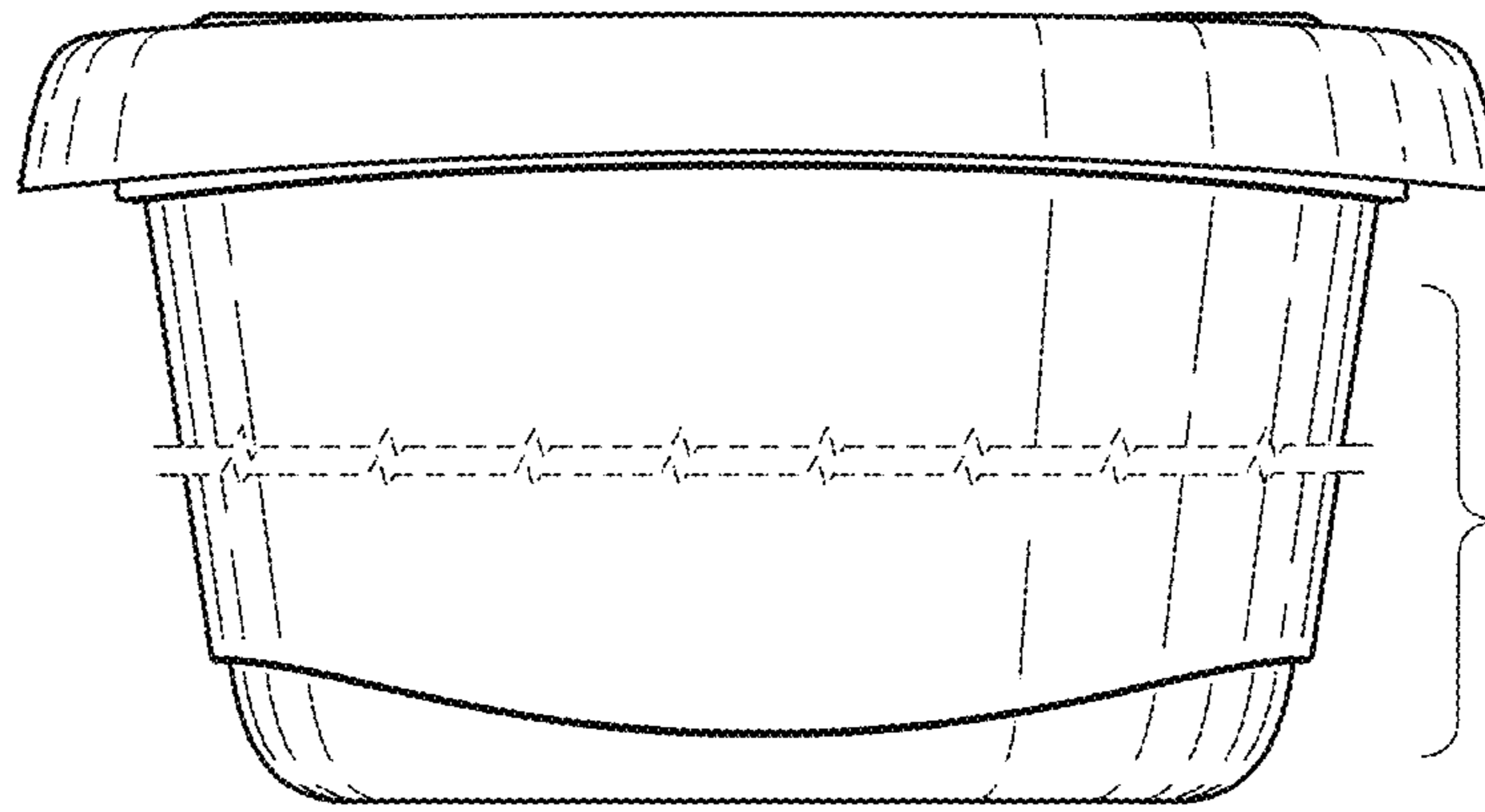


FIG. 14

