



US00D772700S

(12) **United States Design Patent** (10) **Patent No.:** **US D772,700 S**
Ladd et al. (45) **Date of Patent:** **** *Nov. 29, 2016**

(54) **FOOD AND CUP CONTAINER**
(71) Applicants: **Jessica M. Ladd**, Sparta, MO (US);
Joseph M. Ladd, Sparta, MO (US)
(72) Inventors: **Jessica M. Ladd**, Sparta, MO (US);
Joseph M. Ladd, Sparta, MO (US)
(*) Notice: This patent is subject to a terminal disclaimer.

3,695,084	A *	10/1972	Siemonsen et al.	72/348
D240,353	S *	6/1976	Edwards	D9/761
D262,866	S *	2/1982	Commisso	D9/761
D284,939	S *	8/1986	Sandish et al.	D9/761
4,732,274	A *	3/1988	Bouton	206/561
D300,101	S *	3/1989	Ritman	D7/541
5,497,885	A *	3/1996	Sussman	206/563
5,857,583	A *	1/1999	Chantaca et al.	220/523
6,439,388	B1 *	8/2002	Lerner	206/562
D480,922	S *	10/2003	Bulcher et al.	D7/553.1
D482,277	S *	11/2003	Castellanos et al.	D9/425
D516,382	S	3/2006	King et al.	D7/553.8

(Continued)

(**) Term: **14 Years**

Primary Examiner — Karen S Acker
Assistant Examiner — Wendy Arminio
(74) *Attorney, Agent, or Firm* — Jonathan A. Bay

(21) Appl. No.: **29/467,971**

(22) Filed: **Sep. 25, 2013**

(51) **LOC (10) Cl.** **09-03**

(52) **U.S. Cl.**
USPC **D9/426**

(58) **Field of Classification Search**
USPC D9/414, 415, 416, 419, 420, 421, 424,
D9/425, 428, 429, 454; D7/619.1, 629,
D7/672; 229/406; 220/656-659, 669-675,
220/912, 4.21-4.27; 206/503, 521.1, 553,
206/557, 541, 564, 775, 776, 217; D3/294
CPC A47J 36/06; A47J 47/14; B65D 1/165;
B65D 15/08; B65D 21/083; B65D 21/0234;
B65D 43/162; B65D 71/50; B65D 77/24;
B65D 81/3869; B65D 2543/00046; B65D
2543/00055; B65D 2543/00083; B65D
2543/00092; B65D 2543/00296
See application file for complete search history.

(56) **References Cited**

U.S. PATENT DOCUMENTS

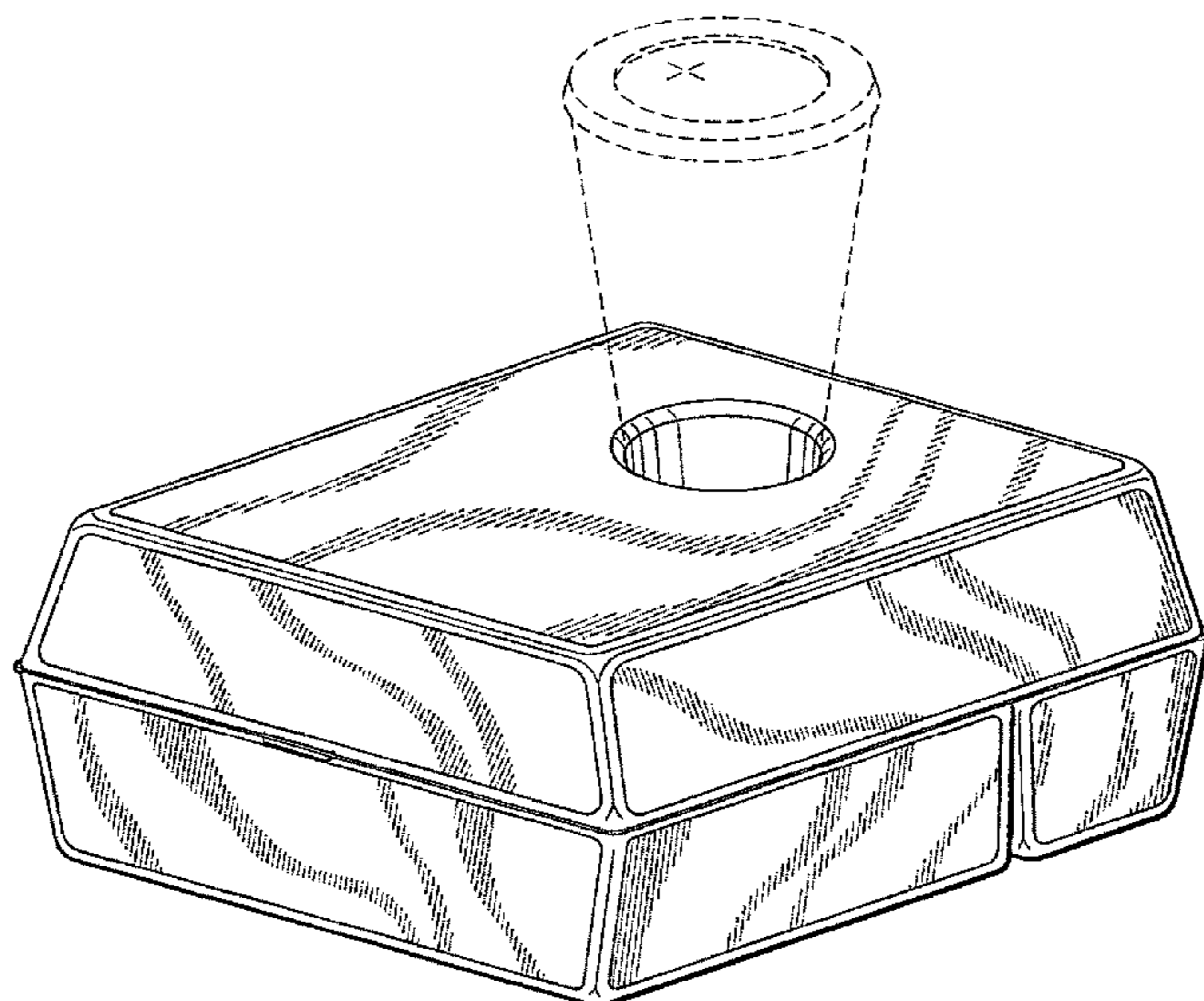
2,573,736	A *	11/1951	Scavullo	228/164
2,924,372	A *	2/1960	Kirkeby	206/563
3,561,664	A *	2/1971	Palmer	229/120.32
D221,418	S *	8/1971	Kinney	D9/428

(57) **CLAIM**
The ornamental design for a food and cup container, as shown and described.

DESCRIPTION

FIG. 1 is a closed perspective view of a food and cup container showing our new design;
FIG. 2 is an open perspective view thereof;
FIG. 3 is an open top plan view of FIG. 2;
FIG. 4 is an open bottom plan view of FIG. 2;
FIG. 5 is a closed top plan view of FIG. 1;
FIG. 6 is a closed bottom plan view of FIG. 1;
FIG. 7 is a closed right side view of FIG. 1, the left side being a mirror opposite;
FIG. 8 is a closed front view of FIG. 1;
FIG. 9 is a closed back view of FIG. 1; and,
FIG. 10 is a section view taken along line 10-10 in FIG. 5.
The dash-dash broken lines in FIG. 1 showing a cup with a lid depict environmental subject matter that forms no part of the claimed design. The dash-dot-dot-dash broken lines in FIGS. 2-4 depict the fold line of the hinge of the food and cup container.

1 Claim, 8 Drawing Sheets



(56)

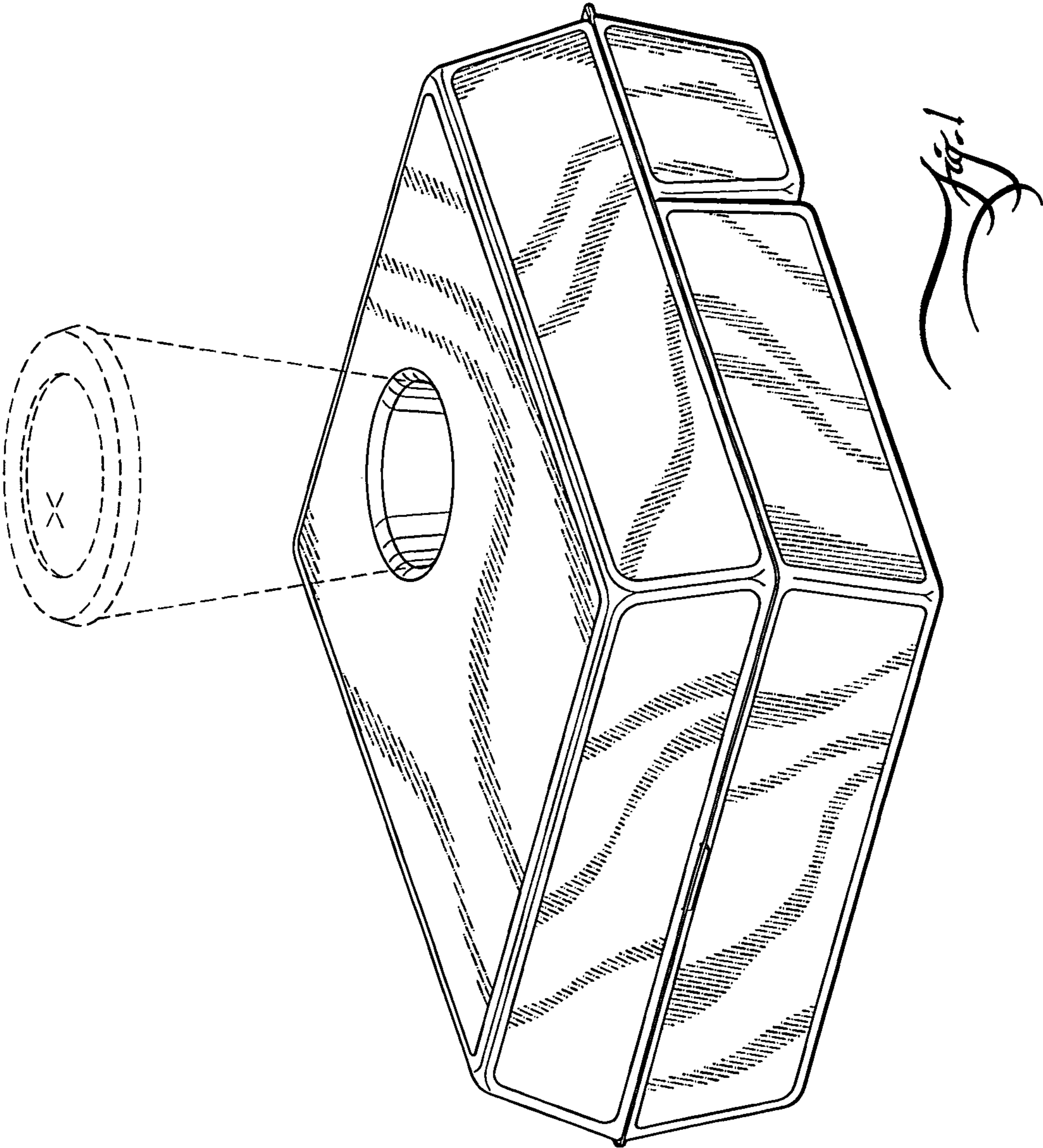
References Cited

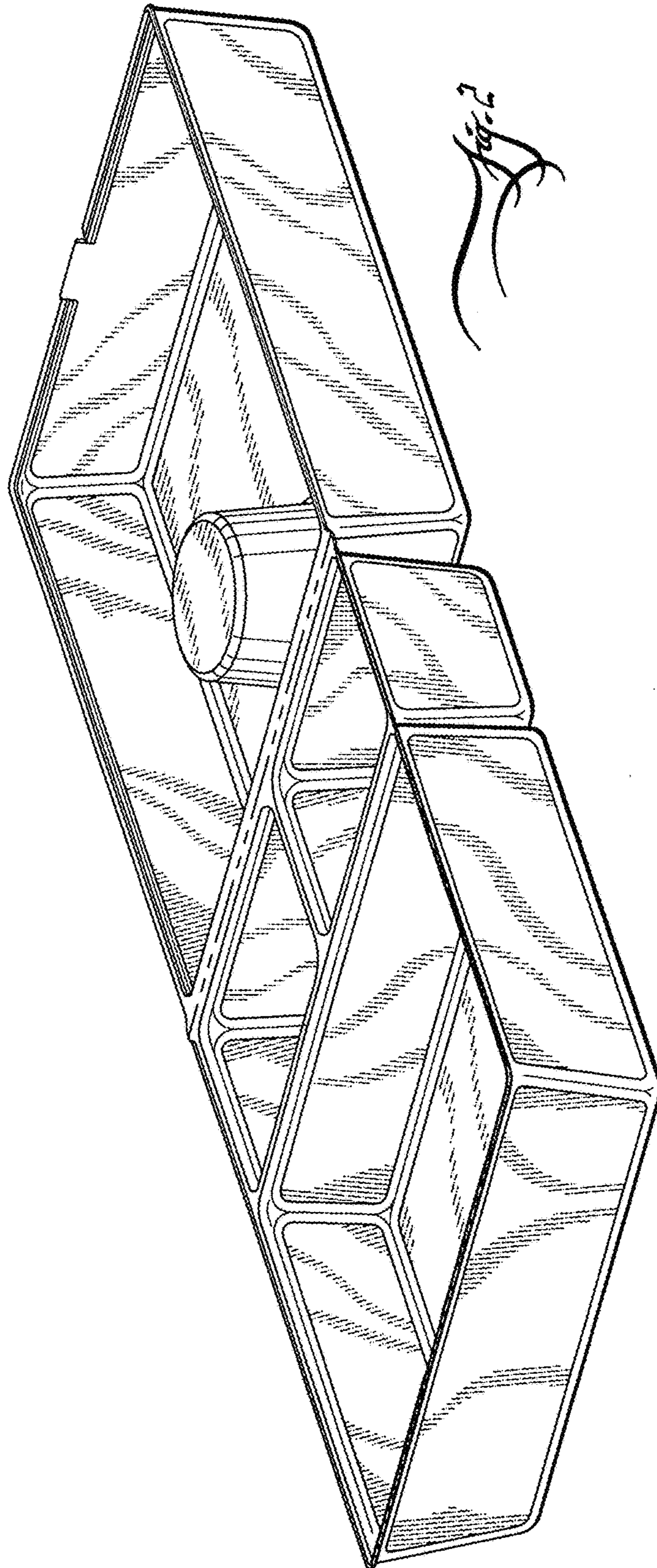
U.S. PATENT DOCUMENTS

7,172,779 B2 2/2007 Castellanos et al. 426/106
D578,877 S 10/2008 Lovett D9/425
D607,329 S * 1/2010 Diss D9/500
D626,863 S 11/2010 Lovett D9/761
D646,587 S * 10/2011 Daniels D9/761

D658,493 S * 5/2012 Cometto D9/424
D666,879 S * 9/2012 Everson D7/629
D695,110 S * 12/2013 Houlton et al. D9/500
D695,575 S * 12/2013 Katz D7/629
D715,649 S * 10/2014 O'Brien D9/500
2011/0210119 A1 * 9/2011 Clark 220/4.23
2012/0031794 A1 * 2/2012 Ozanne et al. 206/459.5

* cited by examiner





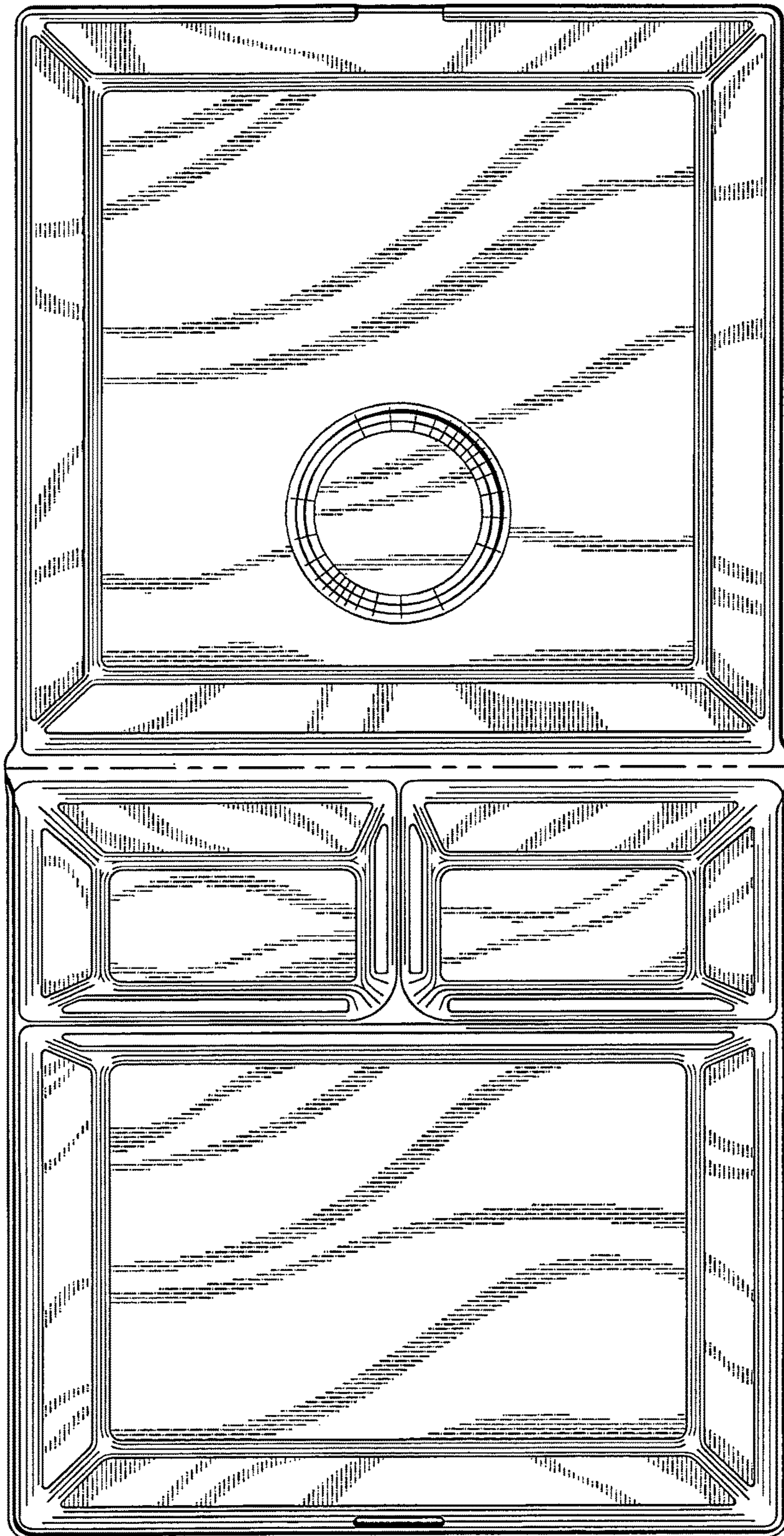


Fig. 3

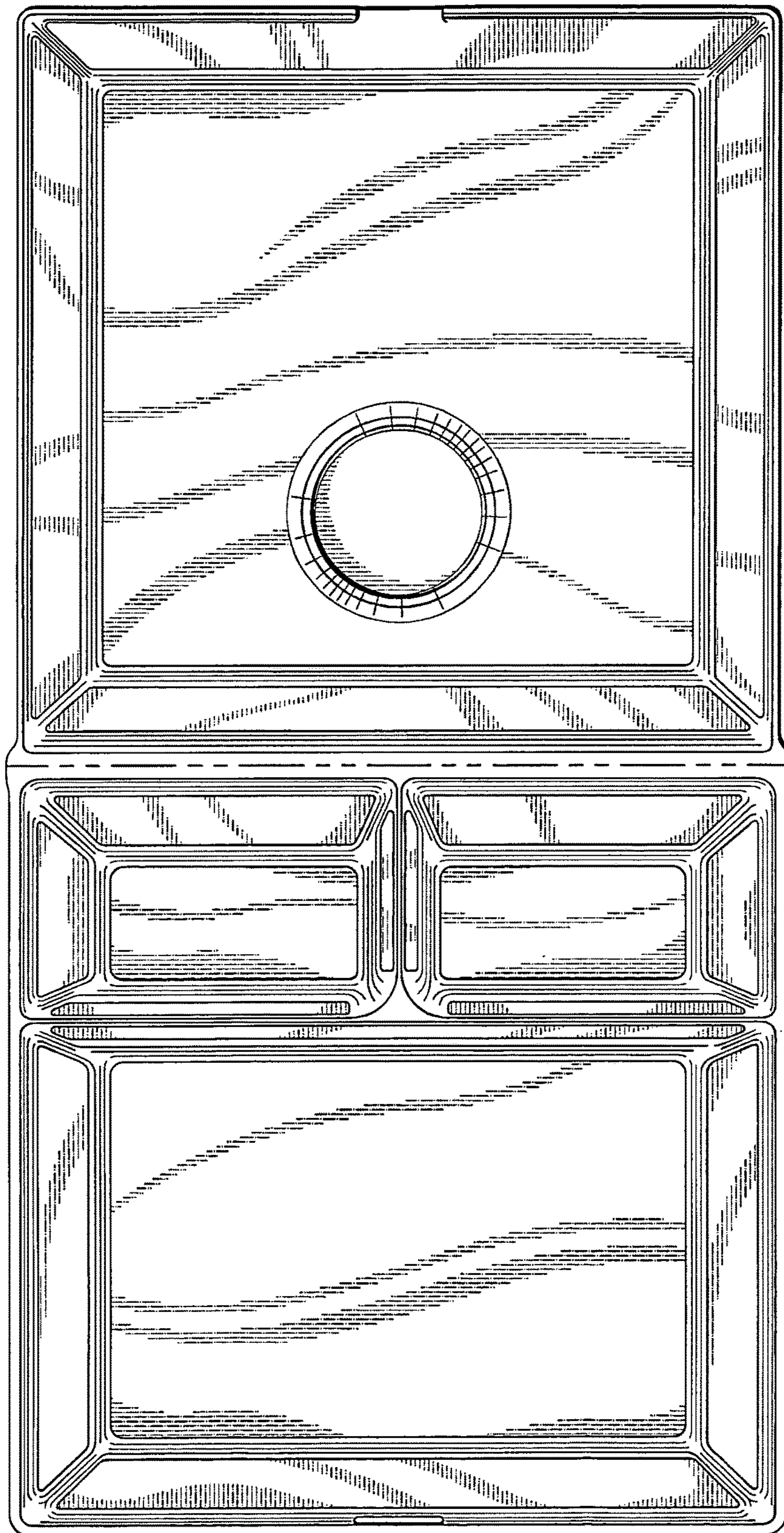


Fig. 4

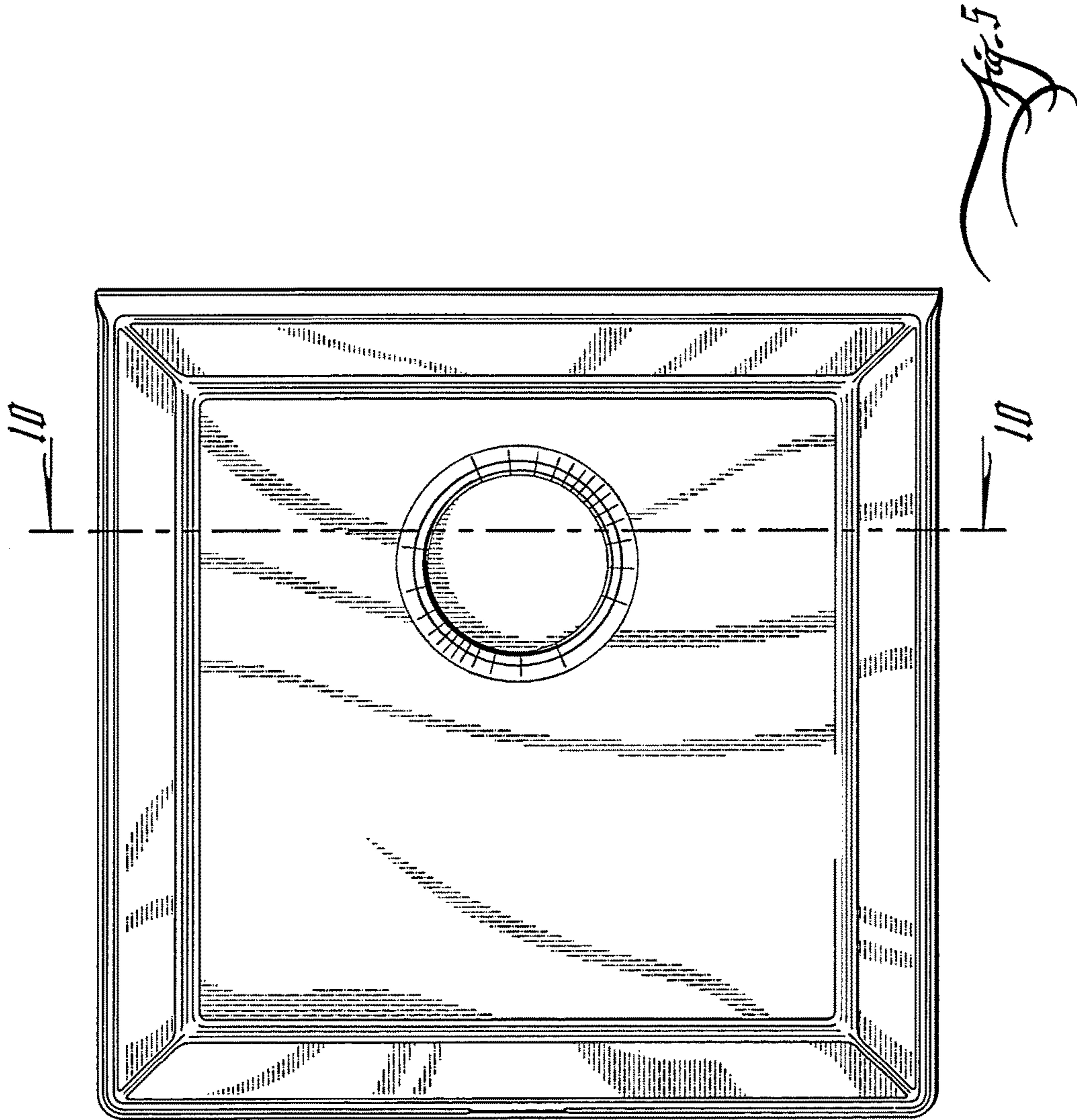
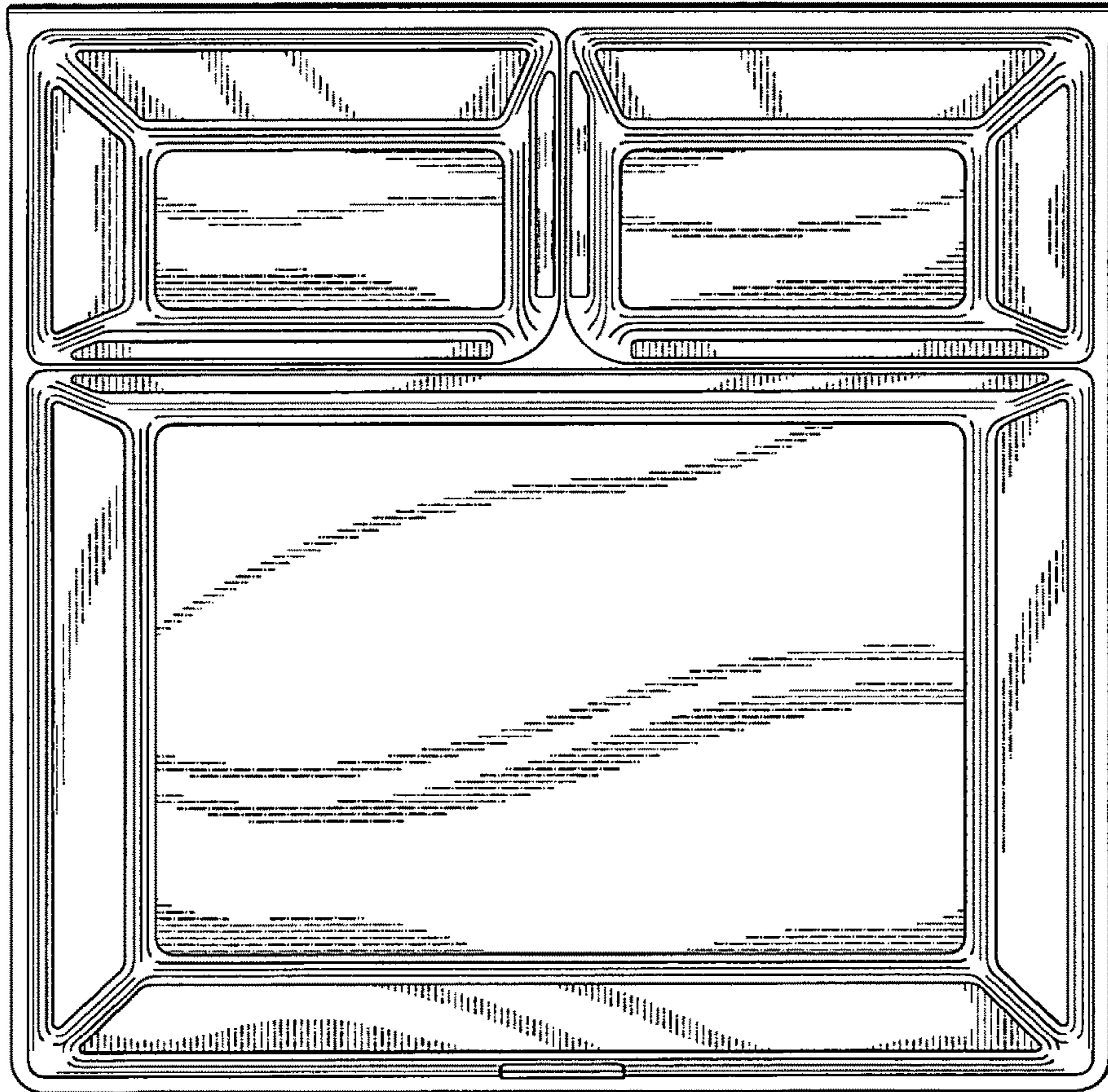


Fig. 6



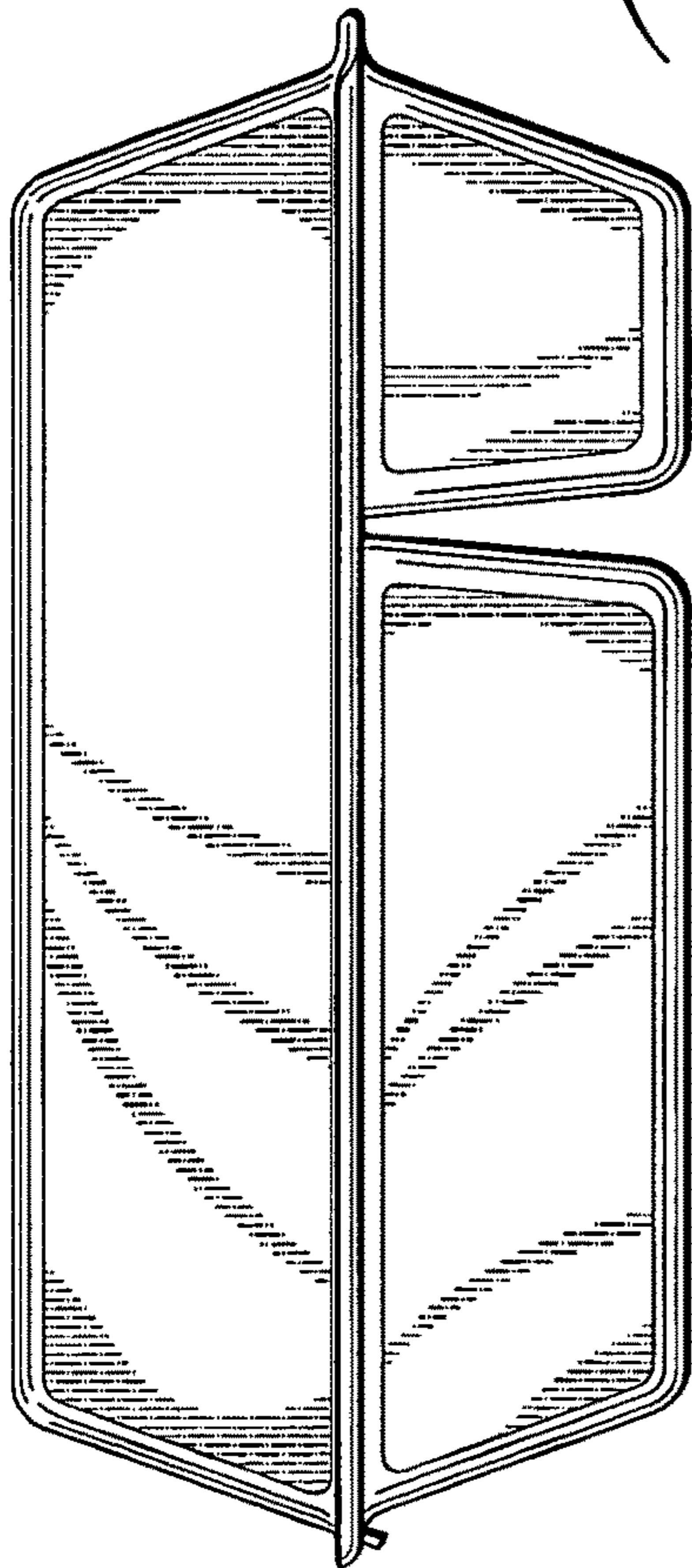


Fig. 7

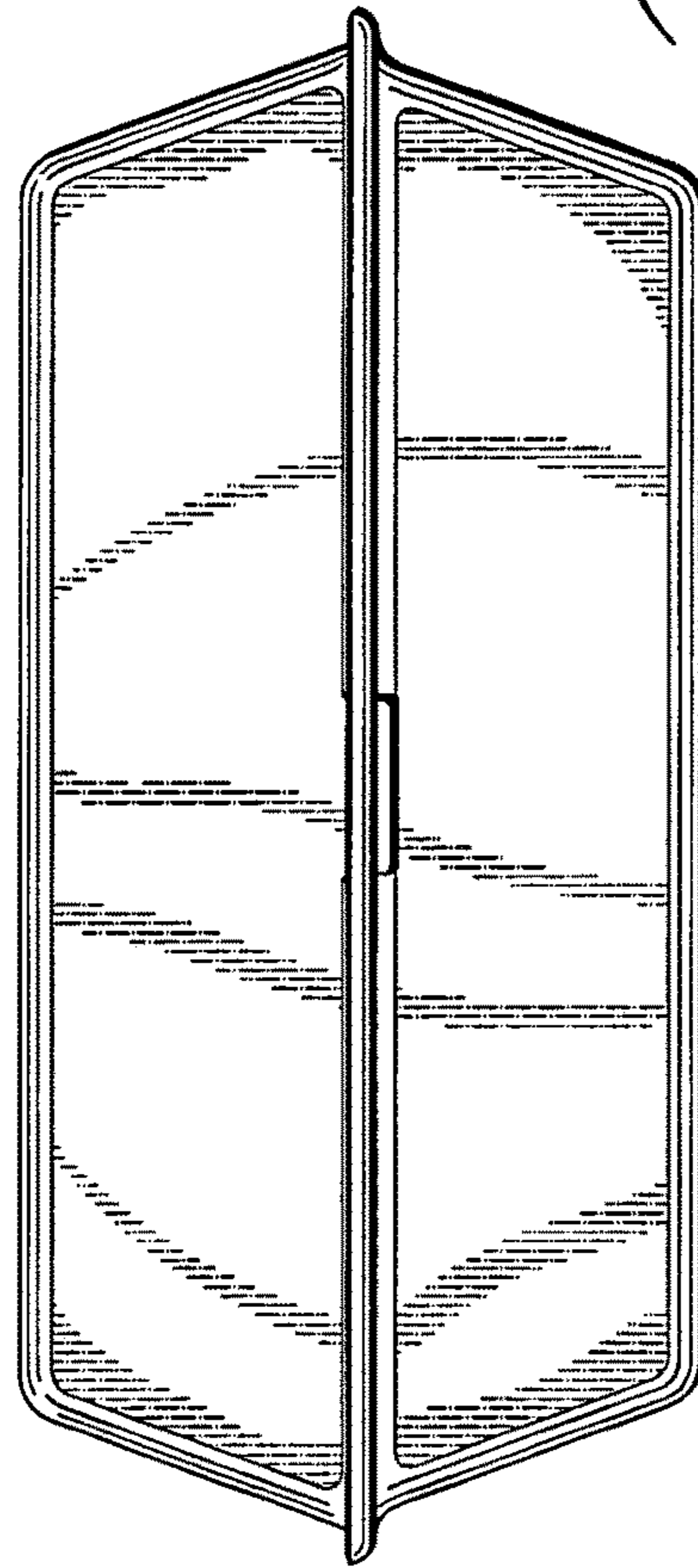


Fig. 8

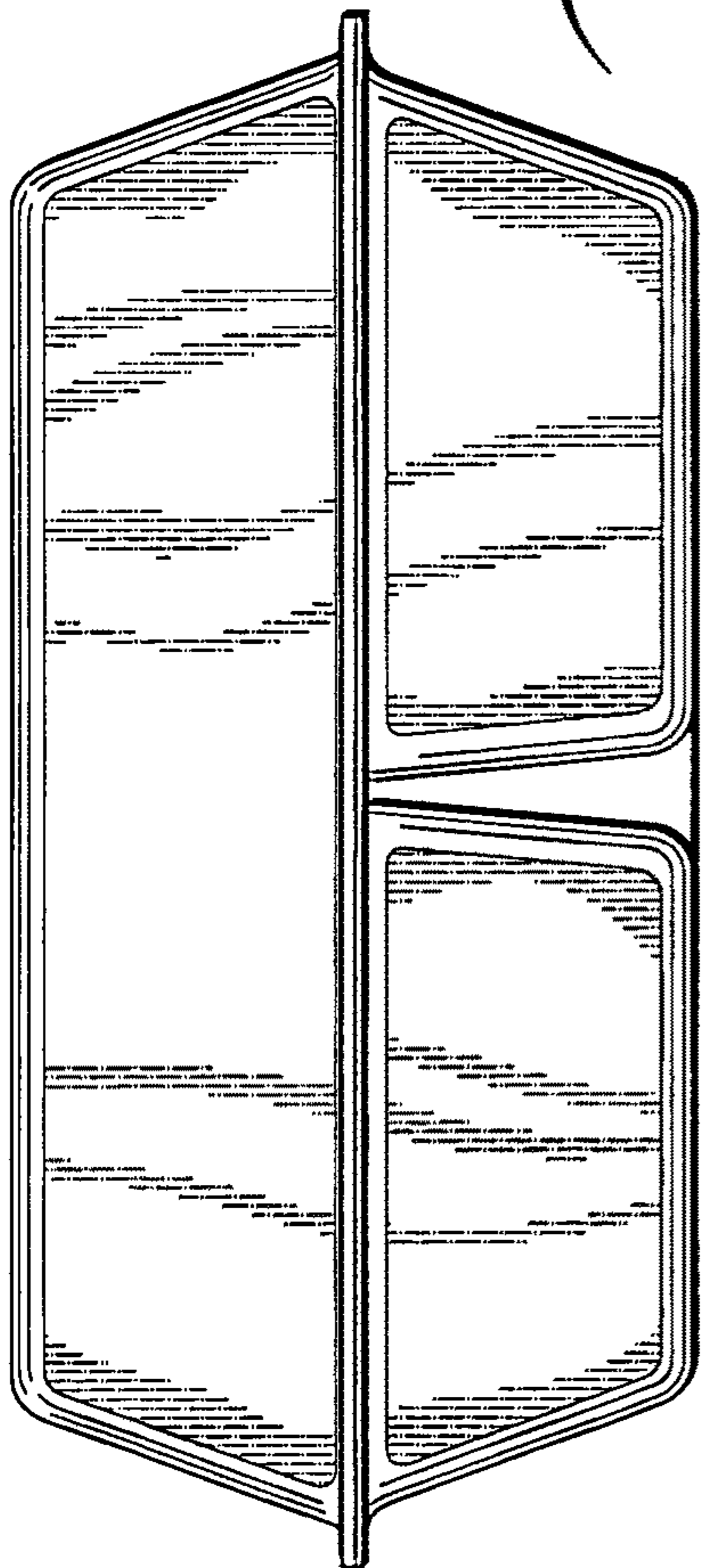


Fig. 9

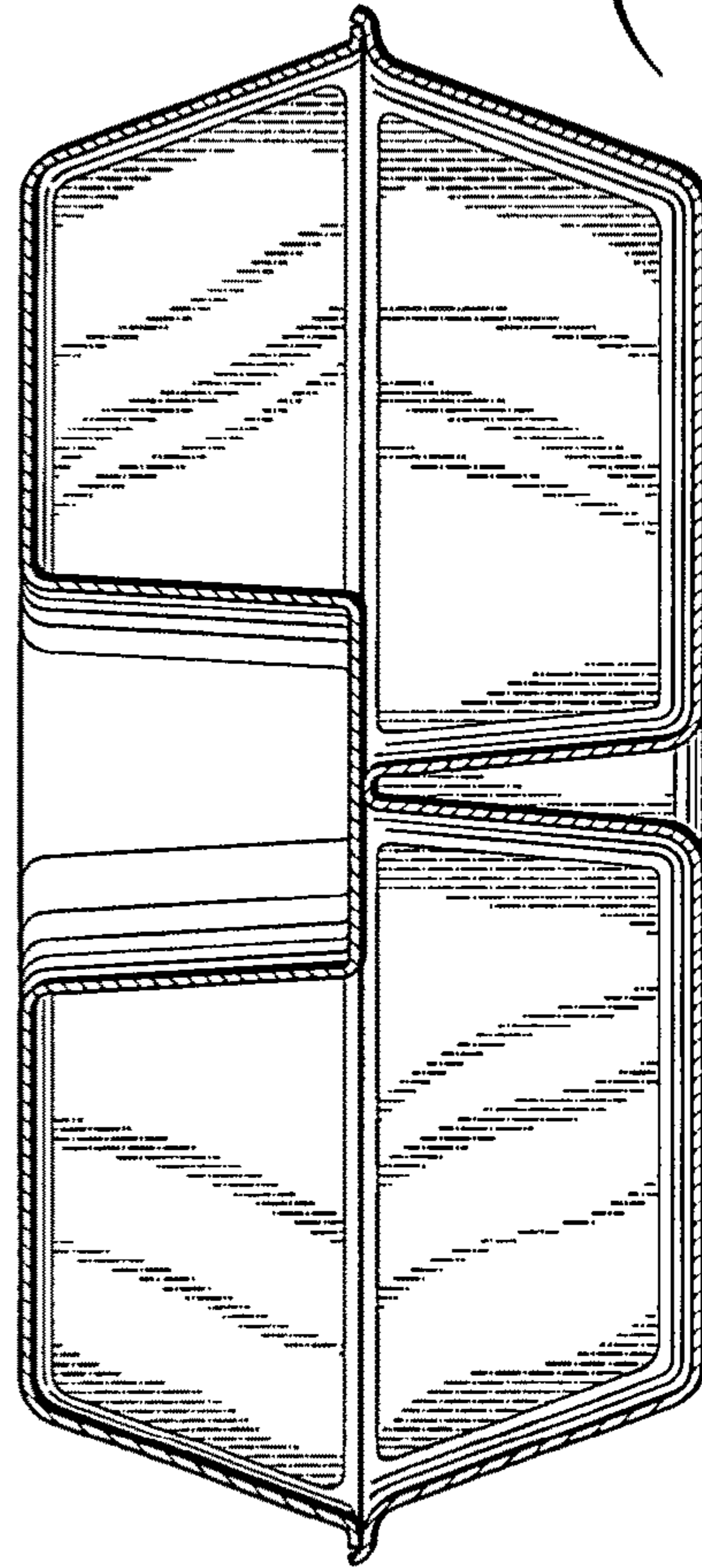


Fig. 10