



US00D772699S

(12) **United States Design Patent** (10) **Patent No.:** **US D772,699 S**
Leman et al. (45) **Date of Patent:** **** Nov. 29, 2016**

(54) **CORNER PROTECTOR**

(71) Applicant: **Emilie Leman**, Denver, CO (US)

(72) Inventors: **Emilie Leman**, Denver, CO (US); **John A. Chionchio**, Hatboro, PA (US)

(73) Assignee: **Emilie Leman**, Denver, CO (US)

(**) Term: **14 Years**

(21) Appl. No.: **29/514,730**

(22) Filed: **Jan. 15, 2015**

(51) **LOC (10) Cl.** **08-05**

(52) **U.S. Cl.**
 USPC **D8/403**

(58) **Field of Classification Search**
 USPC D8/400, 402, 403, 499; 40/778;
 52/287.1; 206/453, 586; 229/199;
 248/345.1; 281/20, 29; 312/137
 CPC B42D 3/004; B42D 3/045; B65D 81/057;
 B65D 2581/055
 See application file for complete search history.

(56) **References Cited**

U.S. PATENT DOCUMENTS

6,478,354 B1 11/2002 Eyal
 D478,502 S * 8/2003 Zamberg D8/403
 D481,304 S * 10/2003 Drake D8/403

7,350,646 B2 4/2008 Durrant
 D625,579 S * 10/2010 Lee D8/349
 7,828,151 B2 * 11/2010 Murdoch B65D 81/053
 206/453
 D640,543 S * 6/2011 Kindig D8/403
 2010/0013208 A1 * 1/2010 Fox B42D 3/04
 281/35
 2012/0139228 A1 6/2012 Holland et al.
 * cited by examiner

Primary Examiner — Susan Bennett Hattan
Assistant Examiner — Leanne Was
 (74) *Attorney, Agent, or Firm* — Ballard Spahr LLP

(57) **CLAIM**
 We claim the ornamental design for a corner protector, as shown and described.

DESCRIPTION

FIG. 1 is an isometric view of a corner protector; FIG. 2 is a right side view of the design for the corner protector shown in FIG. 1, the left side view being identical; FIG. 3 is a front view of the design for the corner protector shown in FIG. 1, the rear view being identical; FIG. 4 is an end view of the design for the corner protector shown in FIG. 1, the opposite end view being identical; and, FIG. 5 is a cross sectional view of the design for the corner protector shown in FIG. 1, taken at the line 5-5 in FIG. 3. The broken lines in FIGS. 1, 2, 3, and 5 depict portions of the corner protector that form no part of the claimed design.

1 Claim, 2 Drawing Sheets

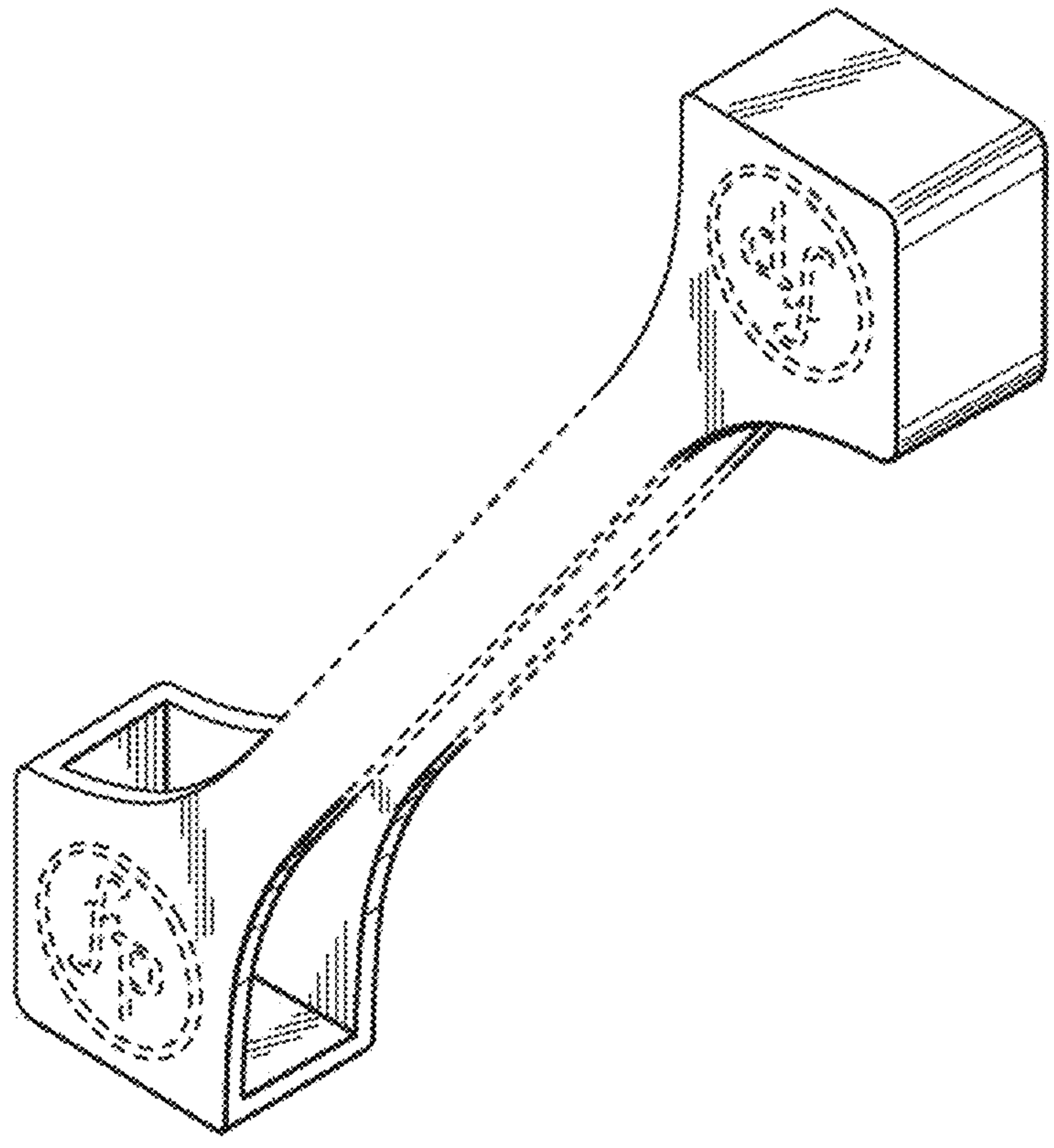


FIG. 1

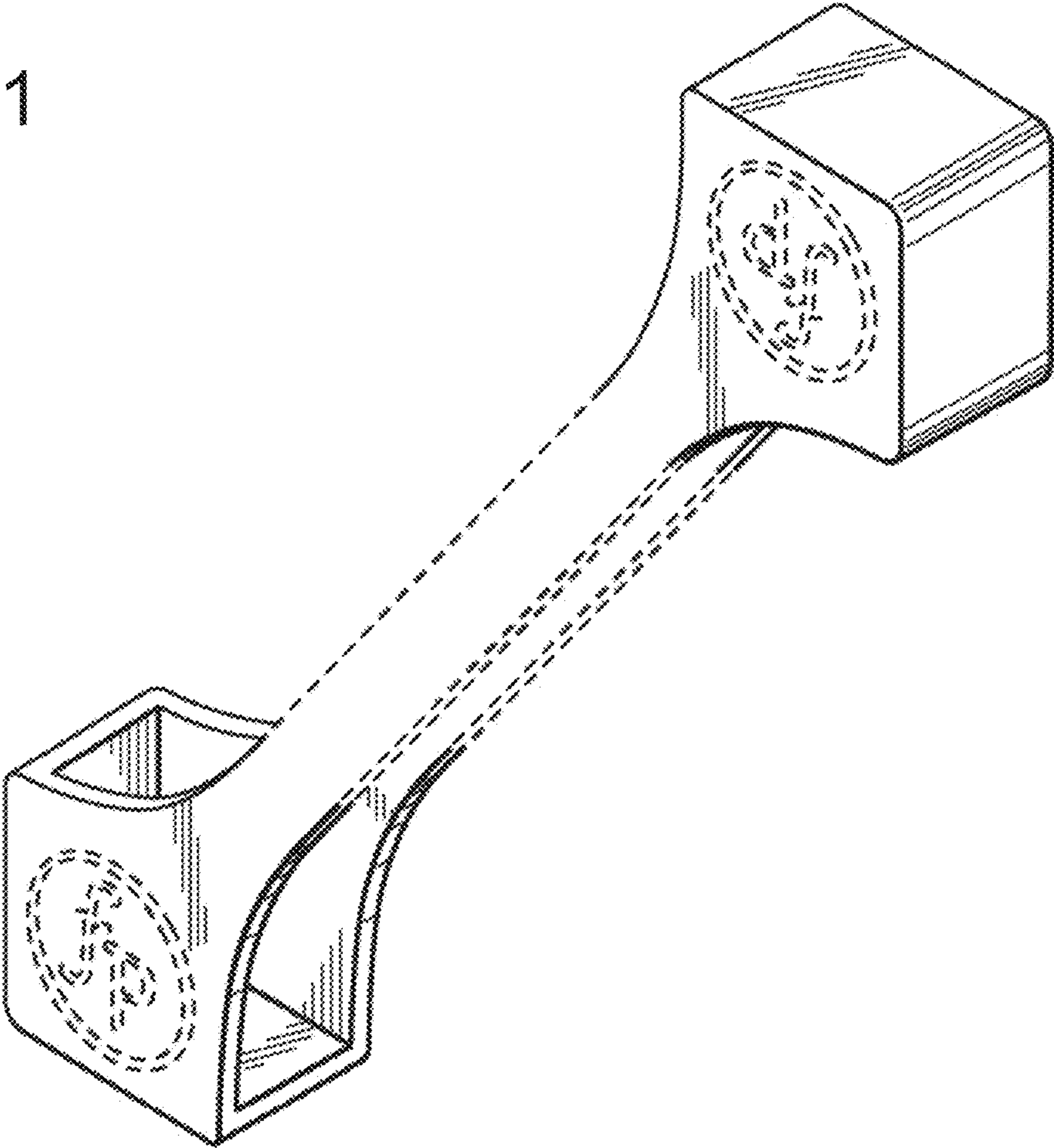


FIG. 2



FIG. 3

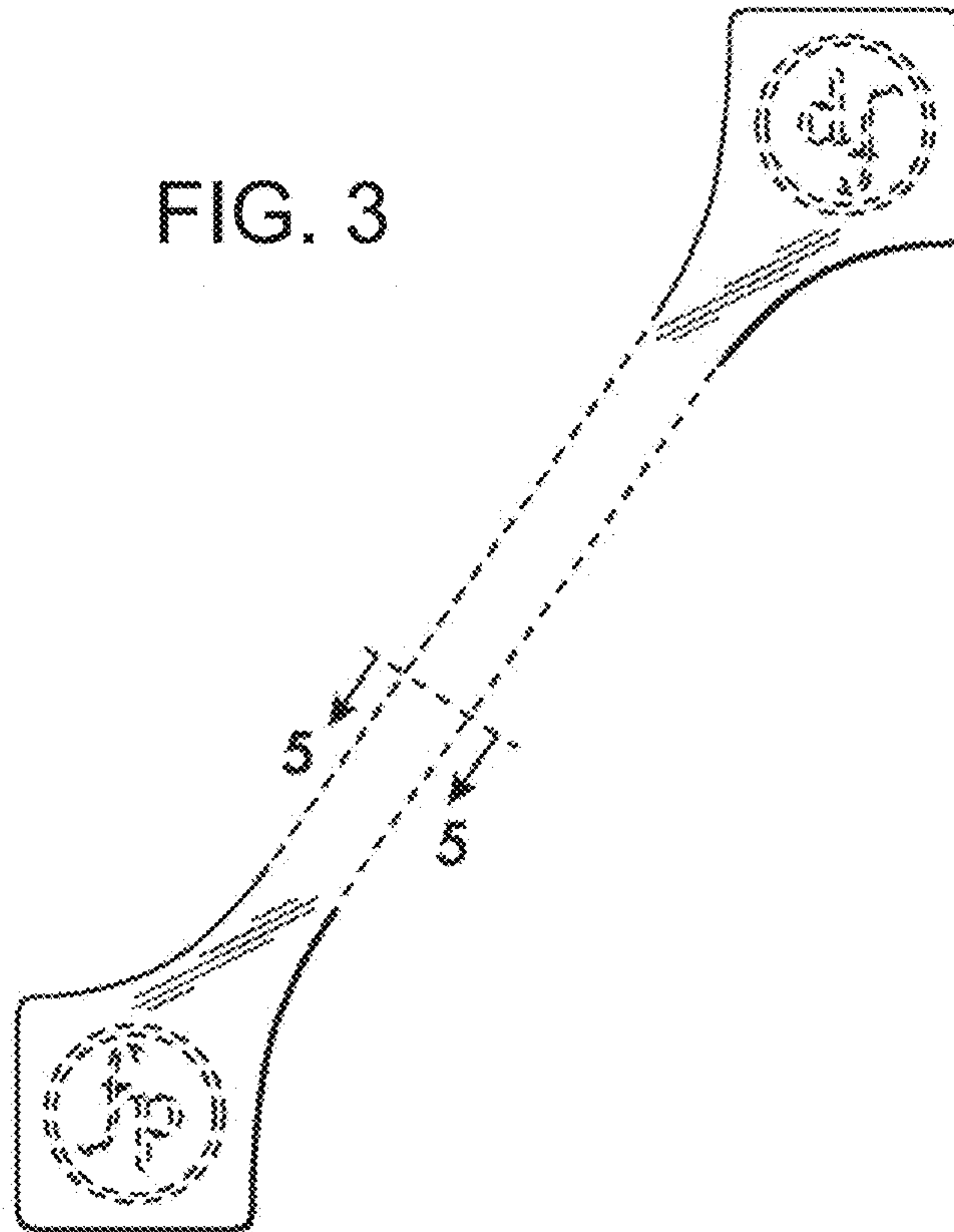


FIG. 4

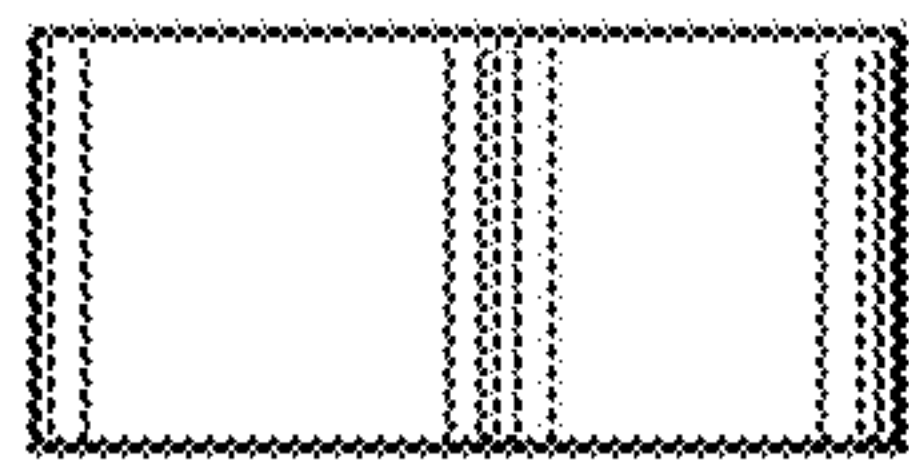


FIG. 5

