



US00D772698S

(12) **United States Design Patent**  
**Jun**

(10) **Patent No.:** **US D772,698 S**

(45) **Date of Patent:** **\*\* Nov. 29, 2016**

(54) **CONNECTOR**

(71) Applicant: **Academy, Ltd.**, Katy, TX (US)

(72) Inventor: **Xu Jun**, Zhejiang (CN)

(73) Assignee: **Academy, Ltd.**, Katy, TX (US)

(\*\*) Term: **15 Years**

(21) Appl. No.: **29/542,259**

(22) Filed: **Oct. 13, 2015**

(30) **Foreign Application Priority Data**

Aug. 7, 2015 (CN) ..... 2015 3 0300775

Aug. 7, 2015 (CN) ..... 2015 3 0300792

(51) **LOC (10) Cl.** ..... **08-08**

(52) **U.S. Cl.**

USPC ..... **D8/382**

(58) **Field of Classification Search**

USPC ..... D8/382, 394, 349, 380; D6/334, 335,  
D6/702, 710

CPC . B60B 33/006; B60B 33/0063; A47B 91/00;

A47B 91/005; A47B 91/06; A47B 91/14;

Y10T 16/19; A47C 4/00; A47C 4/28; A47C

4/286

See application file for complete search history.

(56) **References Cited**

**U.S. PATENT DOCUMENTS**

D281,952 S \* 12/1985 Farmer ..... D8/394

6,322,138 B1 11/2001 Tang

6,364,410 B1 \* 4/2002 Tang ..... A47C 4/286

297/16.2

6,371,553 B1 \* 4/2002 Tang ..... A47C 7/66

297/184.1

6,382,715 B1 \* 5/2002 Tang ..... A47C 4/286

297/16.2

6,402,230 B1 \* 6/2002 Tang ..... A47C 1/026

297/16.2

6,629,722 B1 \* 10/2003 Tang ..... A47C 7/62

297/188.08

D571,644 S \* 6/2008 Hlang ..... D8/382

2002/0074834 A1 \* 6/2002 Summar ..... A47C 4/286

297/16.2

2003/0052518 A1 \* 3/2003 Zheng ..... A47C 4/286

297/16.2

2003/0217526 A1 \* 11/2003 Larson ..... A47B 91/00

52/835

2012/0079685 A1 \* 4/2012 Gagnon ..... A47B 91/00

16/42 R

\* cited by examiner

*Primary Examiner* — Brandon M Rosati

*Assistant Examiner* — Ieisha Price

(74) *Attorney, Agent, or Firm* — Kilpatrick Townsend &

Stockton LLP

(57) **CLAIM**

The ornamental design for a connector, as shown and described.

**DESCRIPTION**

FIG. 1 is a perspective view of a connector.

FIG. 2 is another perspective view of the connector of FIG. 1.

FIG. 3 is a front view of the connector of FIG. 1.

FIG. 4 is a rear view of the connector of FIG. 1.

FIG. 5 is a left side view of the connector of FIG. 1.

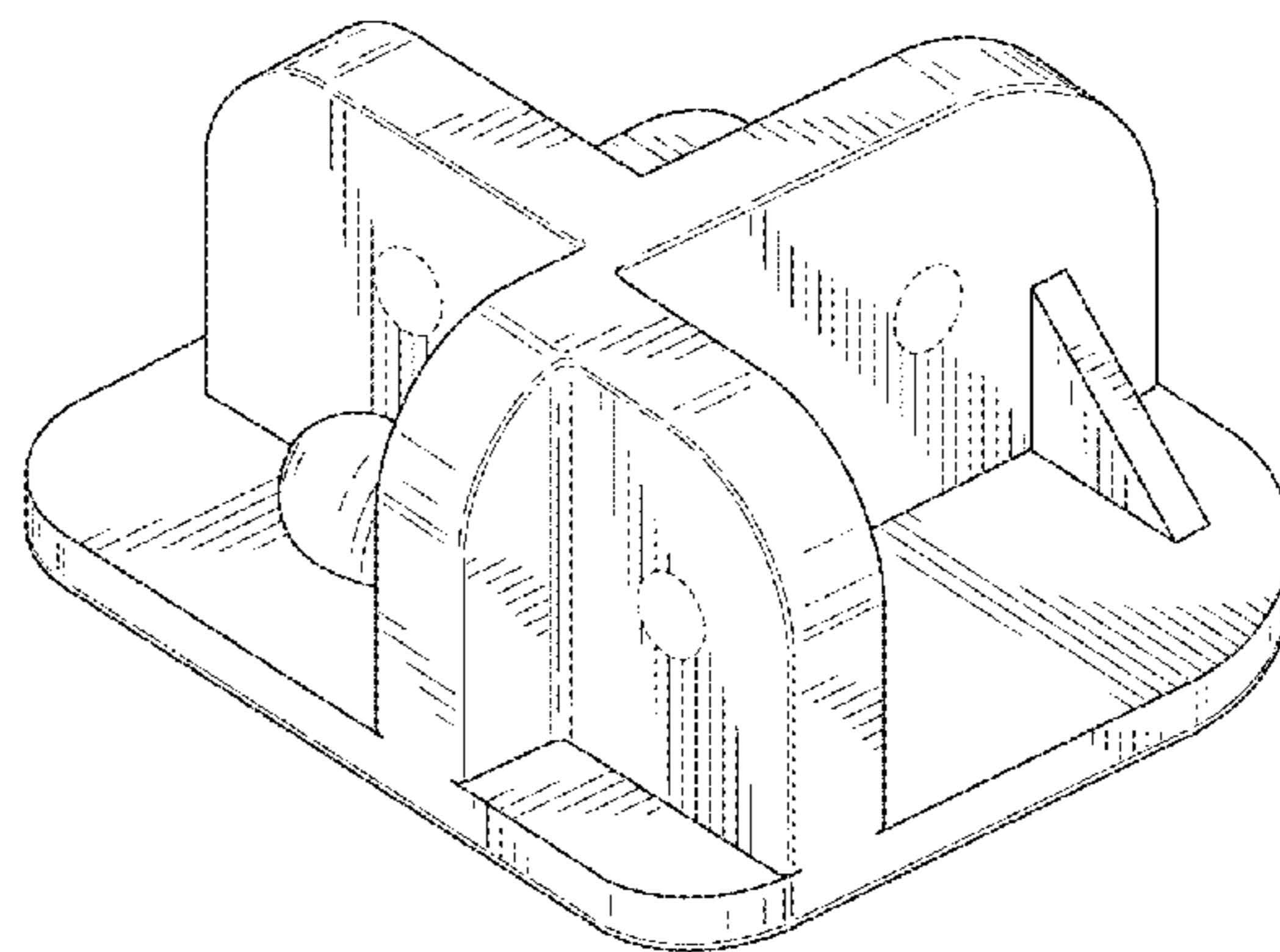
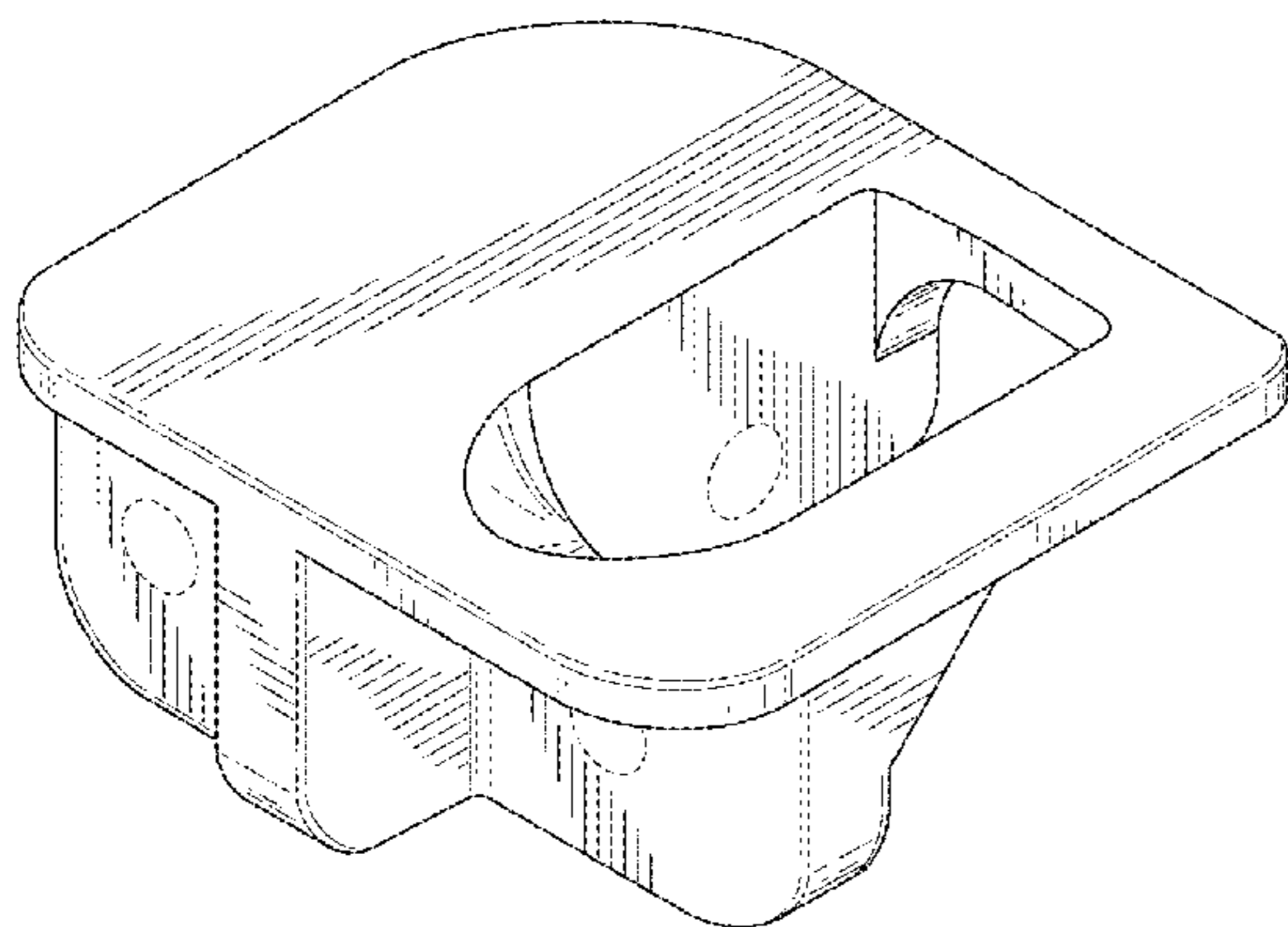
FIG. 6 is a right side view of the connector of FIG. 1.

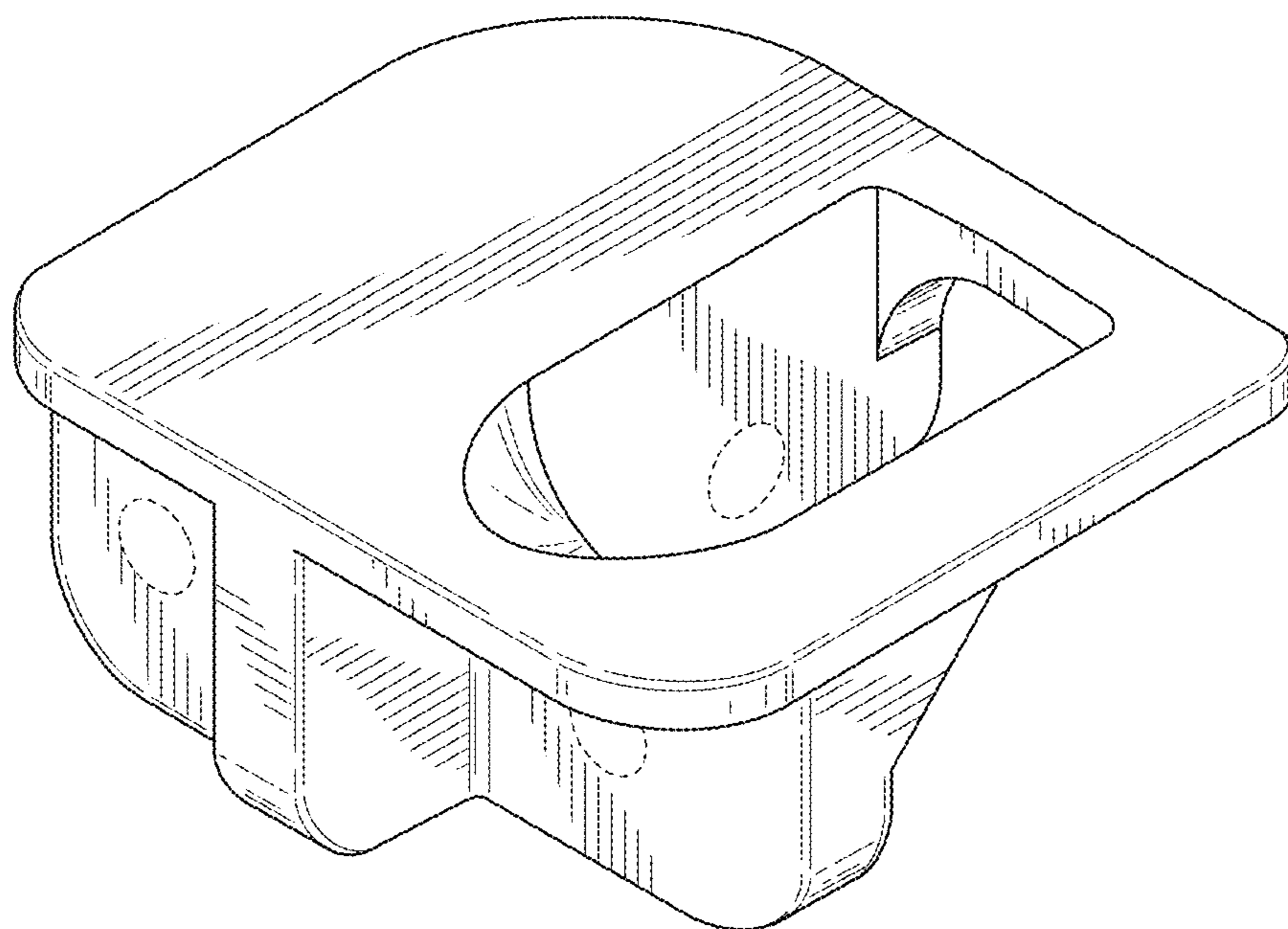
FIG. 7 is a bottom view of the connector of FIG. 1; and,

FIG. 8 is a top view of the connector of FIG. 1.

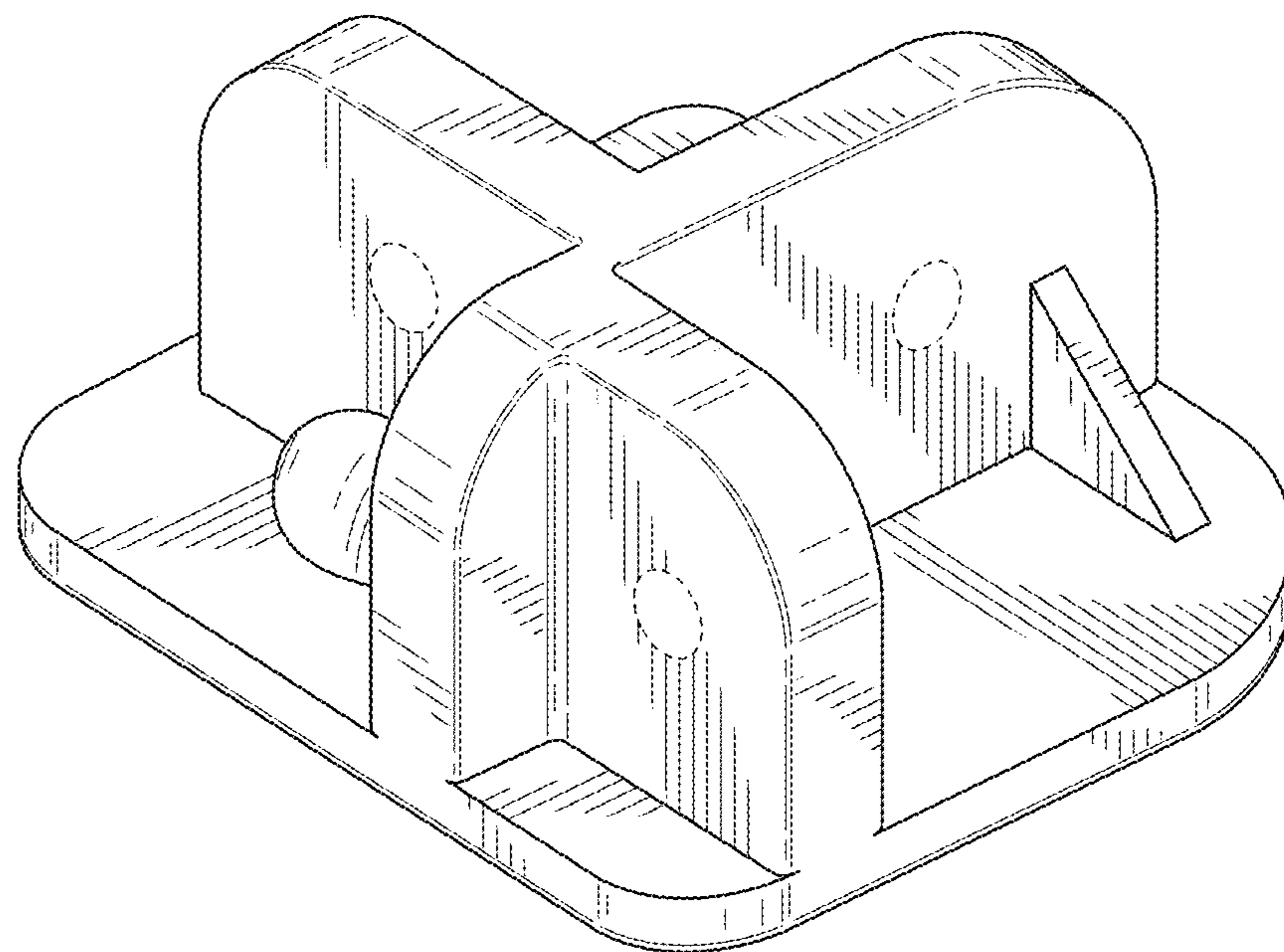
The broken lines in the drawings illustrate portions of the connector and form no part of the claimed design.

**1 Claim, 4 Drawing Sheets**

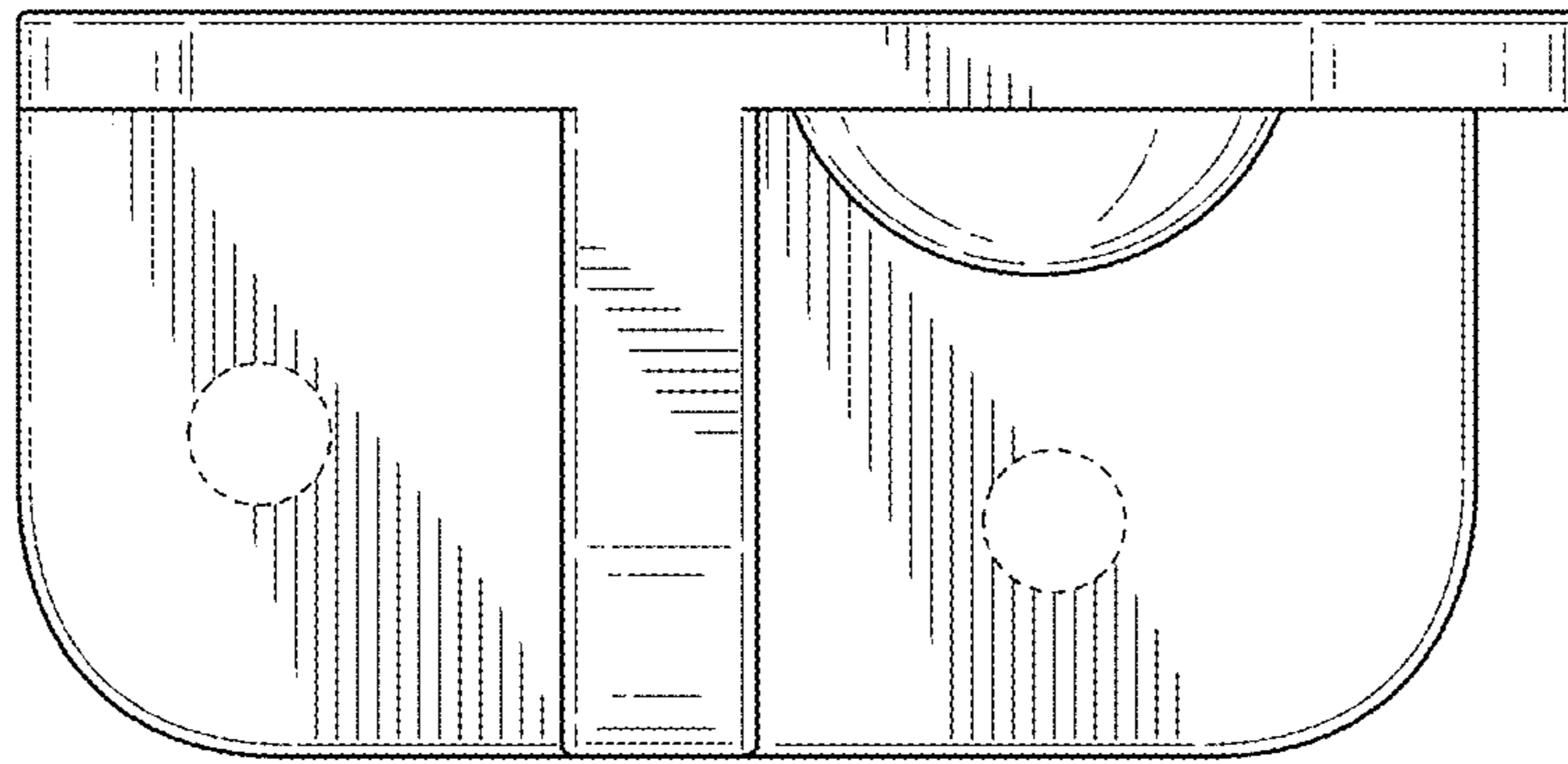




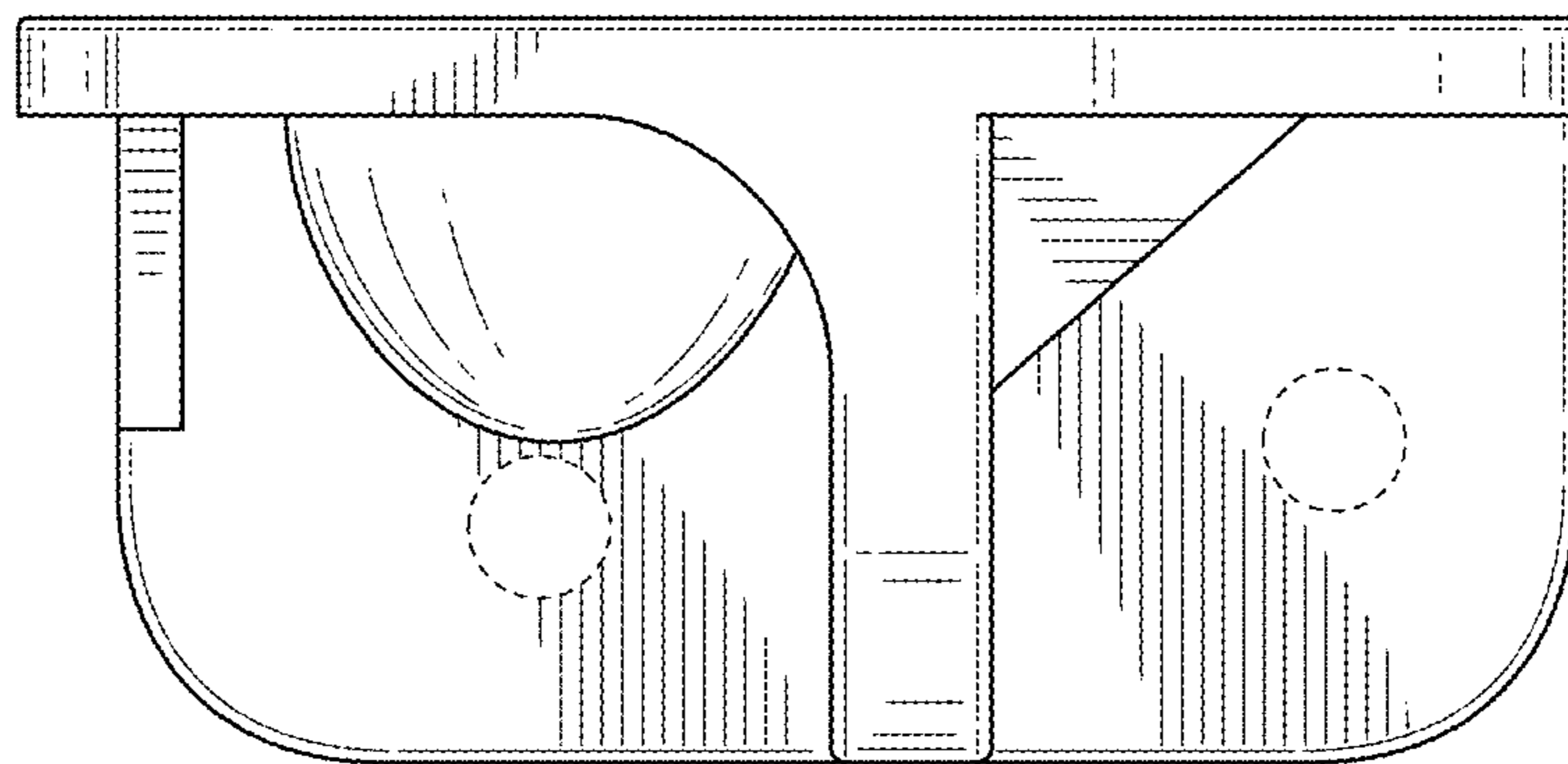
**FIG. 1**



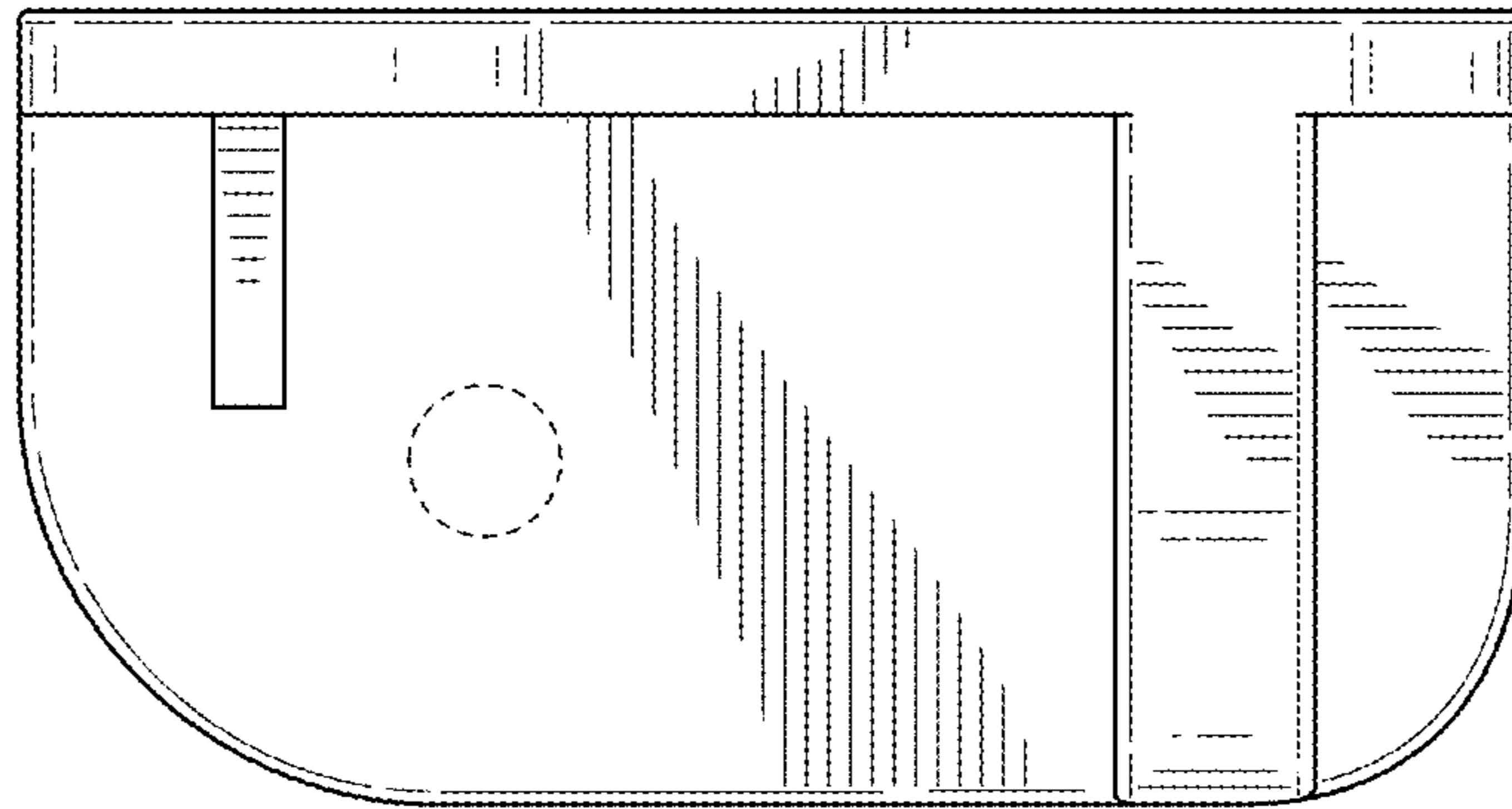
**FIG. 2**



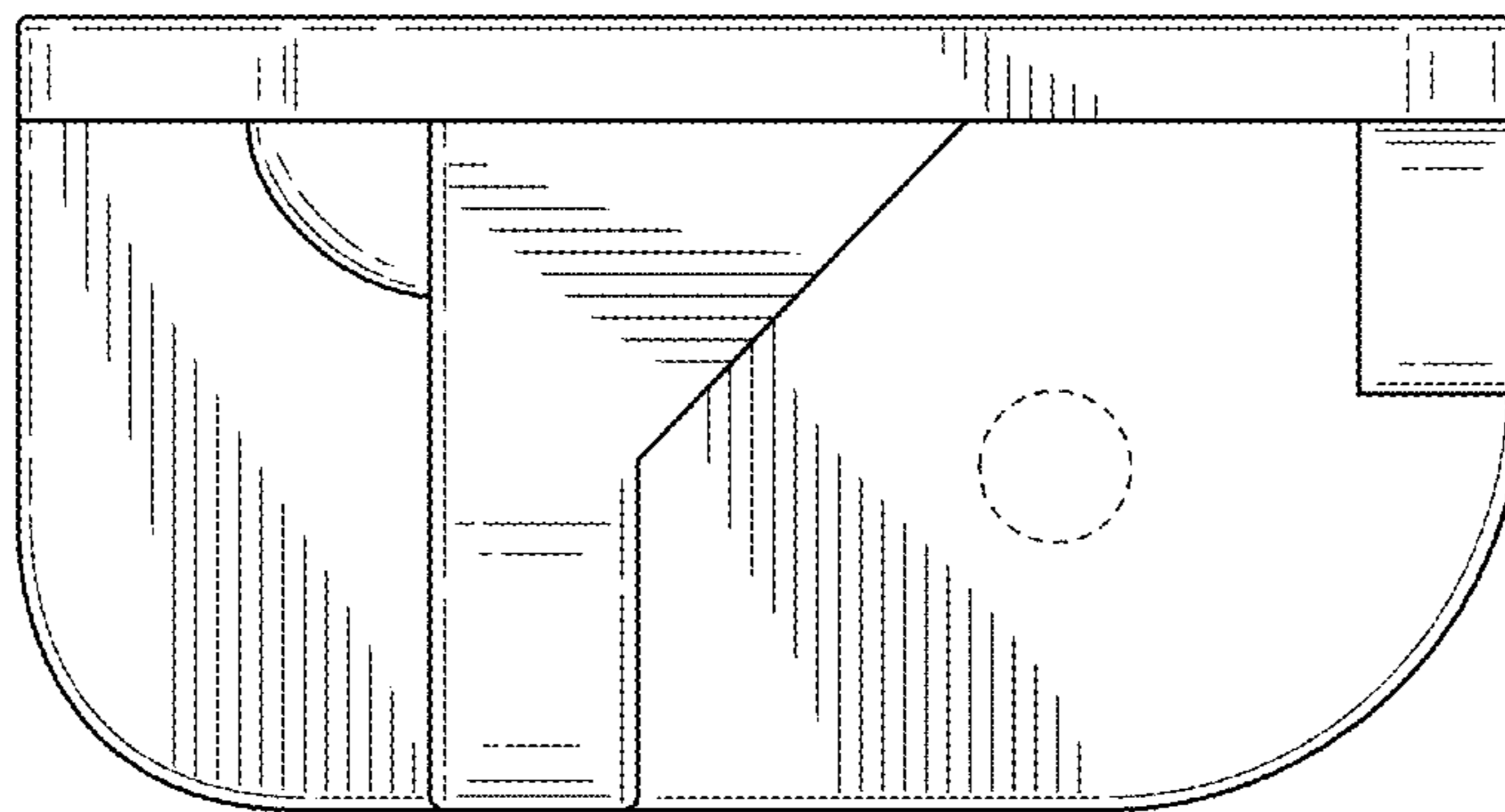
**FIG. 3**



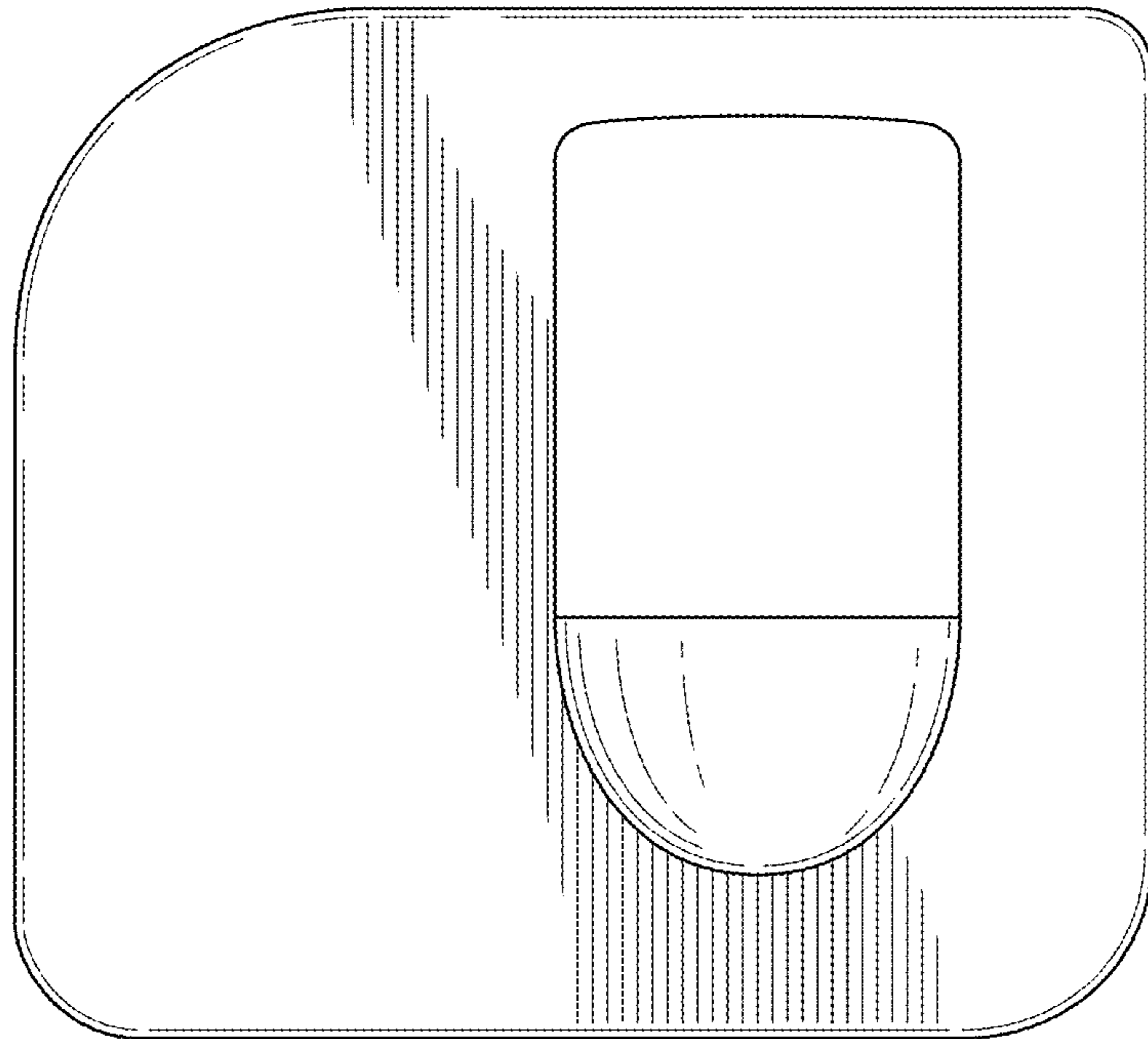
**FIG. 4**



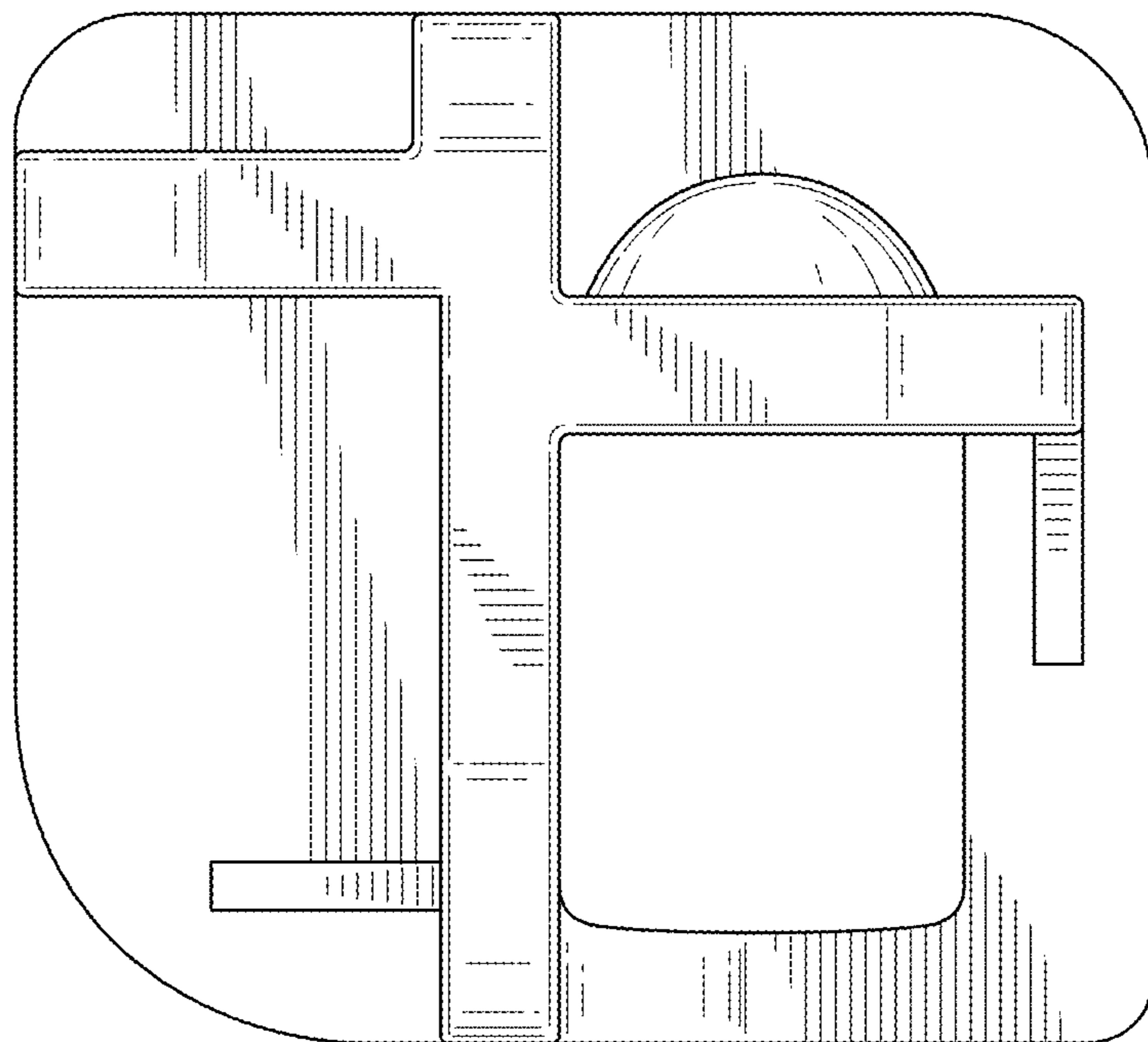
**FIG. 5**



**FIG. 6**



**FIG. 7**



**FIG. 8**