



US00D772696S

(12) **United States Design Patent** (10) **Patent No.:** **US D772,696 S**  
**Burge** (45) **Date of Patent:** **\*\* Nov. 29, 2016**

- (54) **SQUARE GARAGE DOOR SENSOR WIRE COVER**
- (71) Applicant: **Brian James Burge**, Marion, SD (US)
- (72) Inventor: **Brian James Burge**, Marion, SD (US)
- (73) Assignee: **Akorba Inc.**, Marion, SD (US)
- (\*\*) Term: **15 Years**
- (21) Appl. No.: **29/539,031**
- (22) Filed: **Sep. 10, 2015**
- (51) **LOC (10) Cl.** ..... **11-05**
- (52) **U.S. Cl.**  
USPC ..... **D8/353**
- (58) **Field of Classification Search**  
USPC ..... D8/350-353, 399; D13/156, 152, 154, D13/158, 173, 169, 171, 146, 147, 162, D13/139.1-139.8; D25/60; D14/159; 49/25, 49/26, 28, 139, 199, 280, 362; D15/199  
CPC ..... H02G 3/083; H02G 3/081; H02G 3/14; E05Y 2900/106; E05Y 2600/45; E05Y 2900/00; E05F 15/43; E05F 15/00; E05F 2015/436; G01V 8/12; E06B 2009/6836  
See application file for complete search history.

(56) **References Cited**

U.S. PATENT DOCUMENTS

847,718	A	3/1907	Ambos	
995,893	A	6/1911	Neitzel	
D126,098	S *	3/1941	McIntosh	D8/353
2,897,533	A	8/1959	Bull et al.	
3,438,534	A *	4/1969	Zerwes	H02G 3/14 220/241
4,451,106	A *	5/1984	Wiseheart	H02G 3/16 439/536
D288,525	S *	3/1987	Angle	D8/352
4,797,548	A *	1/1989	Kobbing	G01S 7/497 250/221
D309,093	S *	7/1990	Reinholt	D13/156
5,739,753	A *	4/1998	Porter	G08B 13/19 250/342
D396,401	S *	7/1998	Christie	D8/353

D399,829	S *	10/1998	Reed	D13/156
D430,149	S *	8/2000	Afshar-Ghochani	D14/146
D430,478	S *	9/2000	De brey	D8/353
6,276,962	B1 *	8/2001	Gaines	H02G 3/14 174/66
6,509,561	B1	1/2003	Scott	
D522,353	S *	6/2006	Wengrower	D8/352
D534,787	S *	1/2007	Fields	D8/353
D536,237	S *	2/2007	Smith	D8/353
7,312,407	B2 *	12/2007	Case	H02G 3/383 174/135
D559,656	S *	1/2008	DeCosta	D8/353
D563,908	S *	3/2008	Kohler, Jr.	D13/162
D566,525	S *	4/2008	DeCosta	D8/353
7,527,500	B2 *	5/2009	Montena	H01R 13/562 439/534
D593,842	S	6/2009	Corbin	
D608,805	S *	1/2010	Gantner	D15/199

(Continued)

OTHER PUBLICATIONS

U.S. Appl. No. 29/539,030, filed Sep. 10, 2015.  
(Continued)

*Primary Examiner* — Mark Goodwin  
(74) *Attorney, Agent, or Firm* — Lathrop & Gage LLP

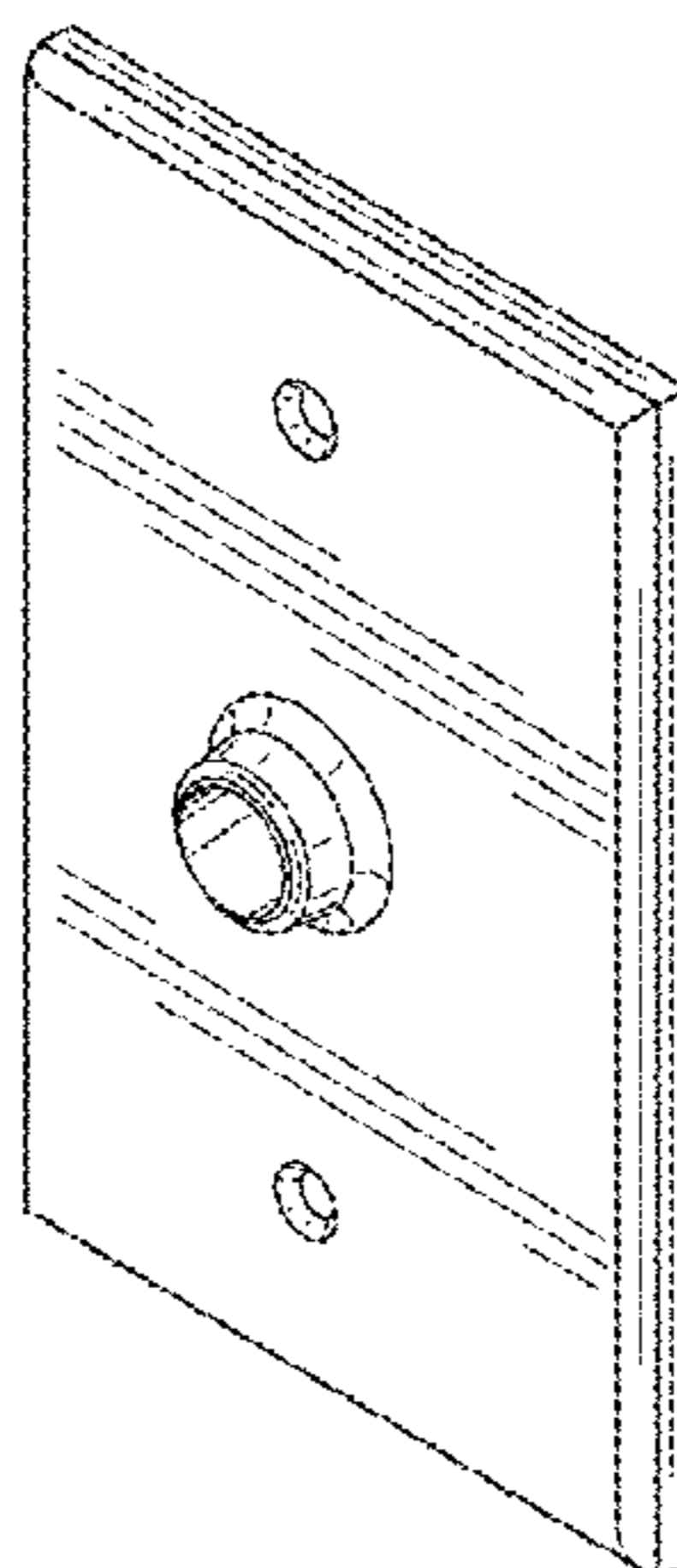
(57) **CLAIM**

The ornamental design for a square garage door sensor wire cover, as shown and described.

**DESCRIPTION**

FIG. 1 is a top, side, front perspective view of a square garage door sensor wire cover;  
FIG. 2 is a top, side, rear perspective view thereof;  
FIG. 3 is a front view thereof;  
FIG. 4 is a side view thereof, it being understood the other side is a mirror image thereof;  
FIG. 5 is a top view thereof, it being understood that the bottom is a mirror image thereof; and,  
FIG. 6 is a perspective view thereof showing the square garage door sensor wire cover in use, connected to a garage wall and with a conduit. The surrounding environment is shown with broken lines which form no part of the claimed design.

**1 Claim, 6 Drawing Sheets**



(56)

**References Cited**

U.S. PATENT DOCUMENTS

D635,441 S \* 4/2011 Roberts, III ..... D8/330  
 D643,701 S \* 8/2011 Weber ..... D8/353  
 D658,525 S \* 5/2012 Choi ..... D10/103  
 D660,131 S \* 5/2012 Tailor ..... D8/353  
 D660,251 S \* 5/2012 Liber ..... D13/155  
 D666,471 S \* 9/2012 Peckham ..... D8/353  
 D668,931 S \* 10/2012 Yoo ..... D8/353  
 D668,932 S \* 10/2012 Zhang ..... D8/353  
 8,314,350 B1 11/2012 Gretz  
 D673,837 S \* 1/2013 Callif ..... D8/350  
 8,404,973 B1 3/2013 Gretz  
 D689,027 S \* 9/2013 Waggoner ..... D13/151  
 D699,197 S \* 2/2014 Zaslavsky ..... D13/156  
 D699,198 S \* 2/2014 Zaslavsky ..... D13/156  
 D711,328 S \* 8/2014 Purdy ..... D13/156  
 D719,527 S \* 12/2014 Kim ..... D13/156  
 D731,291 S \* 6/2015 Boetl ..... D6/524  
 D732,375 S \* 6/2015 Questel ..... D8/353

OTHER PUBLICATIONS

U.S. Appl. No. 29/539,027, filed Sep. 10, 2015.  
 U.S. Appl. No. 29/539,034, filed Sep. 10, 2015.

Midlite PLI Flange, 4 pages, website [midlite.com/products.aspx?catId=774](http://midlite.com/products.aspx?catId=774), accessed Nov. 26, 2013.  
 Midlite Splitport Plate, 4 pages, website [midlite.com/products.aspx?catId=764](http://midlite.com/products.aspx?catId=764), accessed Nov. 26, 2013.  
 Midlite Wireport Plate, 9 pages, website [midlite.com/products.aspx?catId=765](http://midlite.com/products.aspx?catId=765), accessed Nov. 26, 2013.  
 Midlite Article re Wireport Plate, 3 pages, website [http://www.cepro.com/article/midlites\\_wireport\\_plate\\_terminates\\_termination\\_problems/K1](http://www.cepro.com/article/midlites_wireport_plate_terminates_termination_problems/K1), accessed Nov. 26, 2013.  
 Leviton IG Wall Plates, 5 pages, website [http://www.leviton.com/OA\\_HTML/SectionDisplay.jsp?section=42944&minisite=10251&itemsPerPage=All](http://www.leviton.com/OA_HTML/SectionDisplay.jsp?section=42944&minisite=10251&itemsPerPage=All), accessed Nov. 26, 2013.  
 CableSock Wall Plate, 5 pages, website <http://www.amazon.com/PowerBridge-PBCS-BK-BK-CableSock-Low-Voltage/dp/B003CJTQ6K>, accessed Nov. 26, 2013.  
 Powerbridge CableSock Wall Plate, 3 pages, website <http://www.wiredathome.com/powerbridge-pbcs-wh-wh-cablesoc-wal-plate-for-low-voltage-bulk-wire-cable-dressing-white/>, accessed Nov. 26, 2013.  
 Keystone ShowMe Cables, 1 page, website <http://www.showmecables.com/product/IC107BN2GY.aspx>, accessed Nov. 26, 2013.  
 Keystone Style Wall Plate, 7 pages, website <http://www.amazon.com/Icarus-Keystone-Style-Wall-Plate/dp/B0047ZFHBG/>, accessed Nov. 26, 2013.

\* cited by examiner

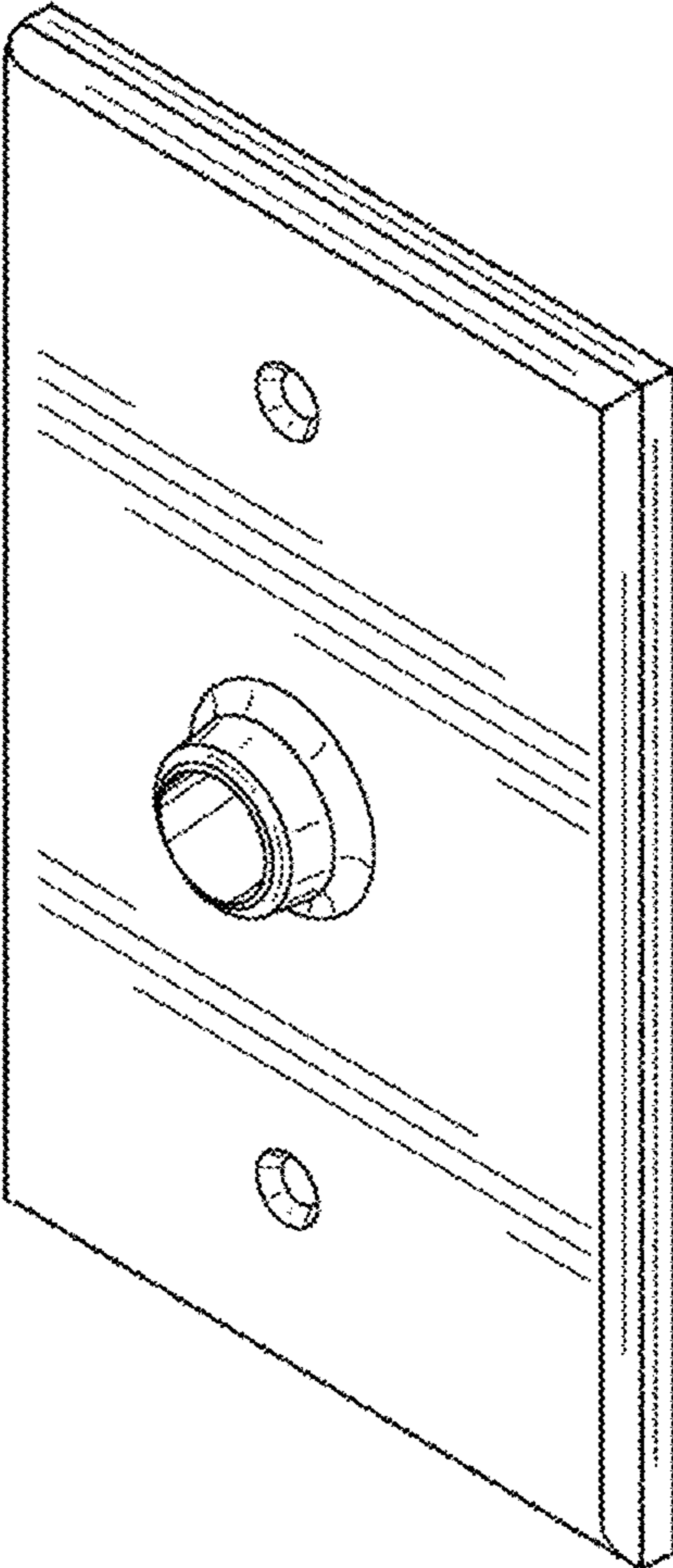


FIG. 1

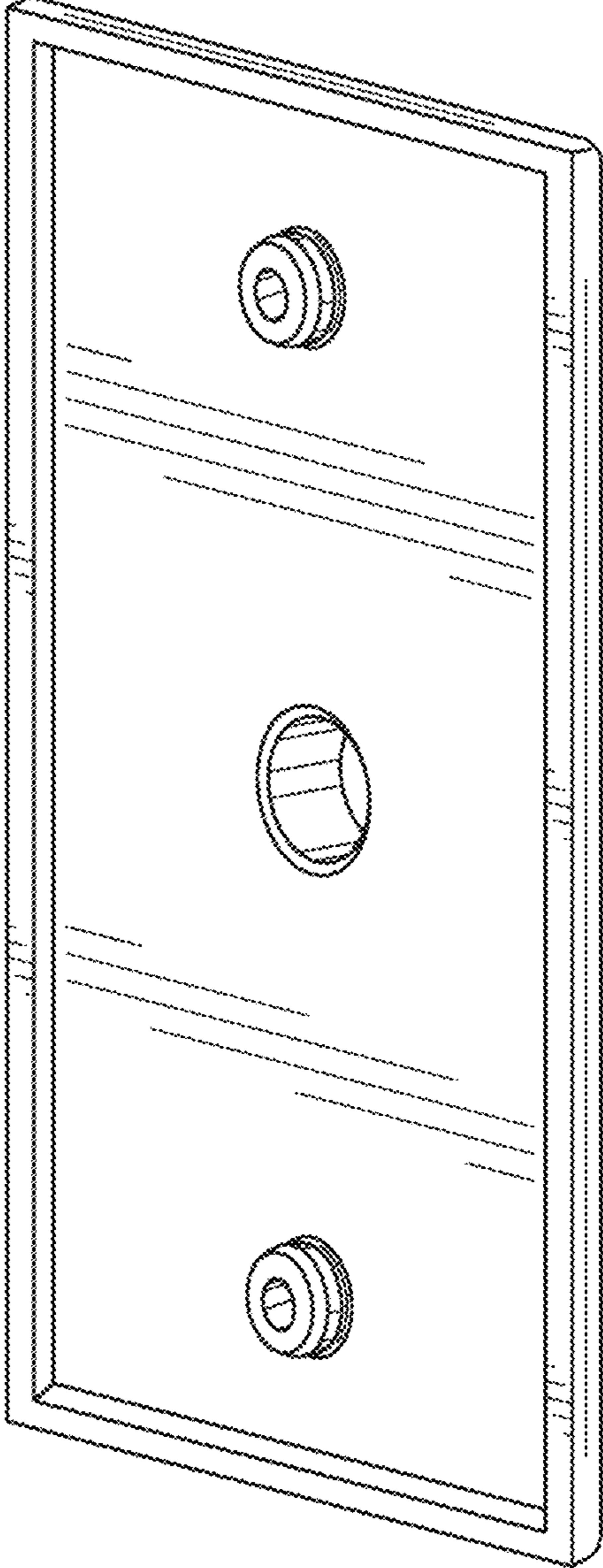


FIG. 2

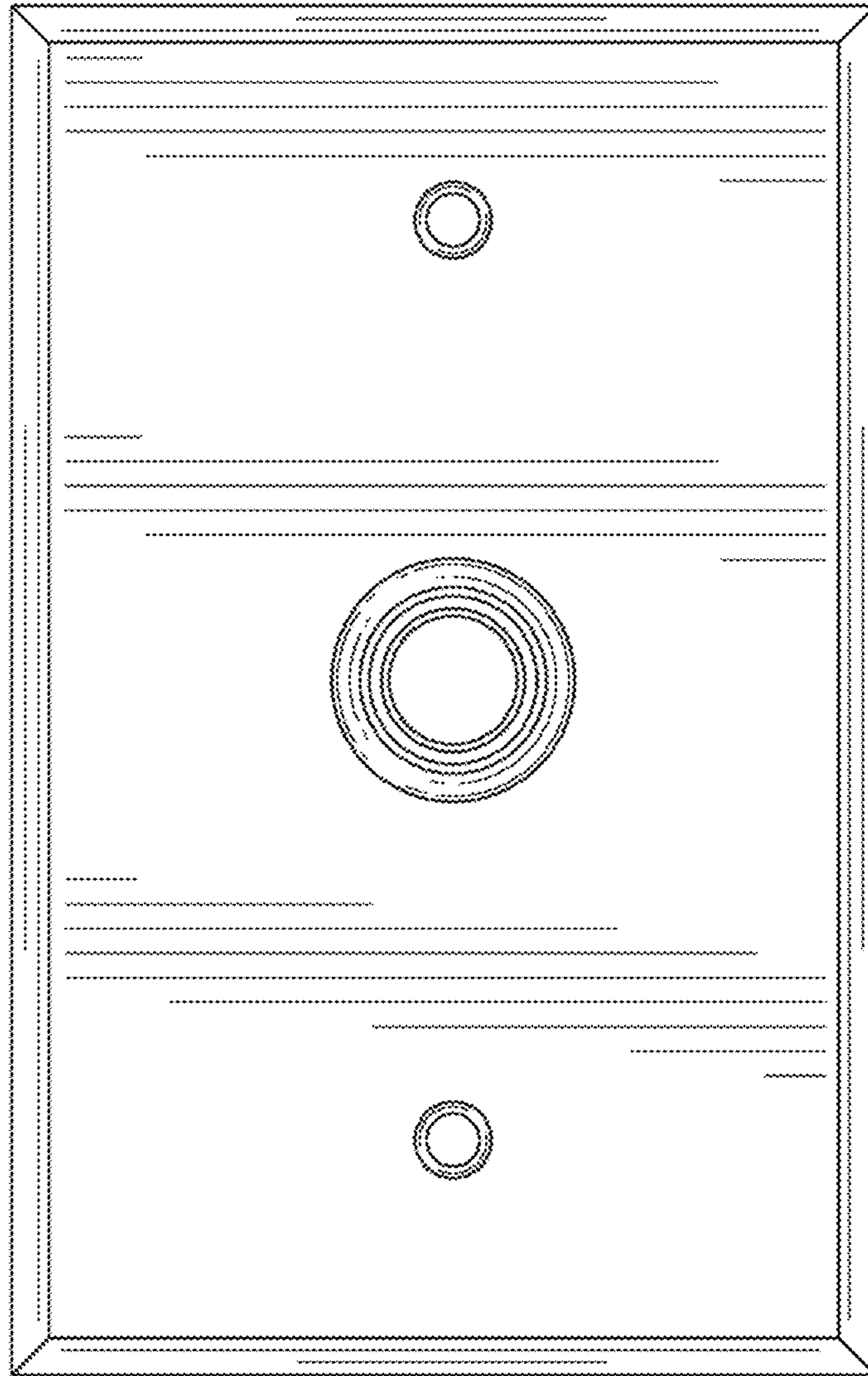
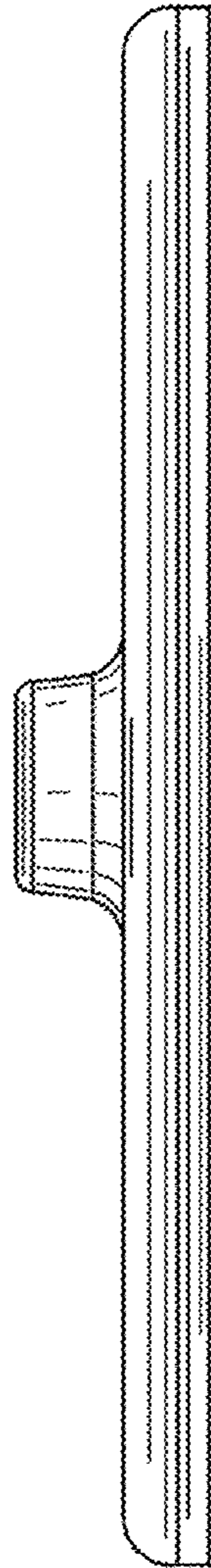
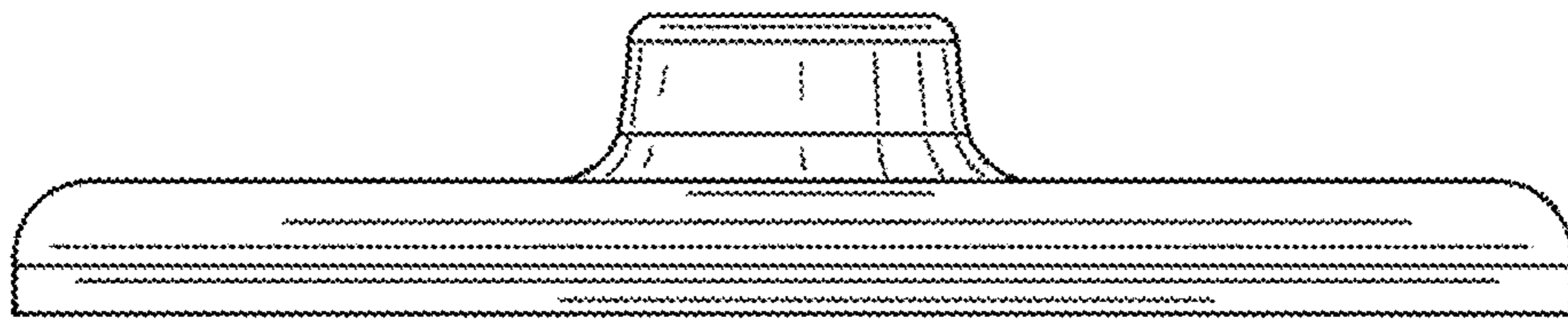


FIG. 3



**FIG. 4**



**FIG. 5**

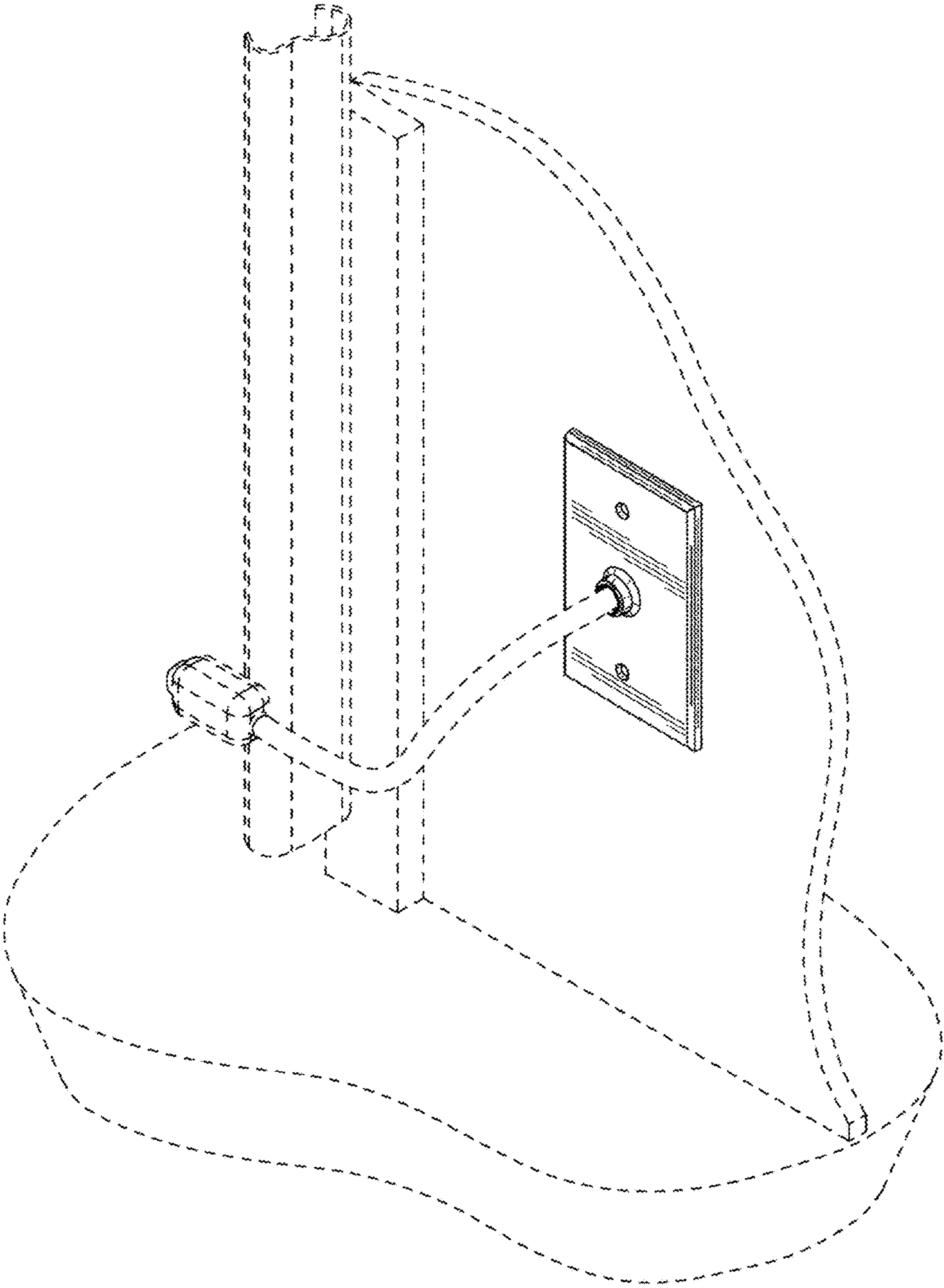


FIG. 6