



US00D772695S

(12) **United States Design Patent** (10) **Patent No.:** **US D772,695 S**  
**Burge** (45) **Date of Patent:** **\*\* Nov. 29, 2016**

- (54) **GARAGE DOOR SENSOR WIRE COVER**
- (71) Applicant: **Brian James Burge**, Marion, SD (US)
- (72) Inventor: **Brian James Burge**, Marion, SD (US)
- (73) Assignee: **Akorba Inc.**, Marion, SD (US)
- (\*\*) Term: **15 Years**
- (21) Appl. No.: **29/539,030**
- (22) Filed: **Sep. 10, 2015**
- (51) **LOC (10) Cl.** ..... **11-05**
- (52) **U.S. Cl.**  
USPC ..... **D8/353**
- (58) **Field of Classification Search**  
USPC ..... D8/350-353, 399; D13/156, 152, 154,  
D13/158, 173, 169, 171, 146, 147, 162,  
D13/139.1-139.8; D25/60; D14/159; 49/25,  
49/26, 28, 139, 199, 280, 362; D15/199  
CPC ..... H02G 3/083; H02G 3/081; H02G 3/14;  
E05Y 2900/106; E05Y 2600/45; E05Y  
2900/00; E05F 15/43; E05F 15/00; E05F  
2015/436; G01V 8/12; E06B 2009/6836  
See application file for complete search history.

- D430,149 S \* 8/2000 Afshar-Ghochani ..... D14/146
- D430,478 S \* 9/2000 De brey ..... D8/353
- 6,276,962 B1 \* 8/2001 Gaines ..... H02G 3/14  
174/66
- 6,509,561 B1 1/2003 Scott
- D522,353 S \* 6/2006 Wengrower ..... D8/352
- D534,787 S \* 1/2007 Fields ..... D8/353
- D536,237 S \* 2/2007 Smith ..... D8/353
- 7,312,407 B2 \* 12/2007 Case ..... H02G 3/383  
174/135
- D559,656 S \* 1/2008 DeCosta ..... D8/353
- D563,908 S \* 3/2008 Kohler, Jr. .... D13/162
- D566,525 S \* 4/2008 DeCosta ..... D8/353
- 7,527,500 B2 \* 5/2009 Montena ..... H01R 13/562  
439/534

(Continued)

**OTHER PUBLICATIONS**

U.S. Appl. No. 29/539,027, filed Sep. 10, 2015.  
(Continued)

*Primary Examiner* — Mark Goodwin  
(74) *Attorney, Agent, or Firm* — Lathrop & Gage LLP

(57) **CLAIM**  
The ornamental design for a garage door sensor wire cover,  
as shown and described.

(56) **References Cited**

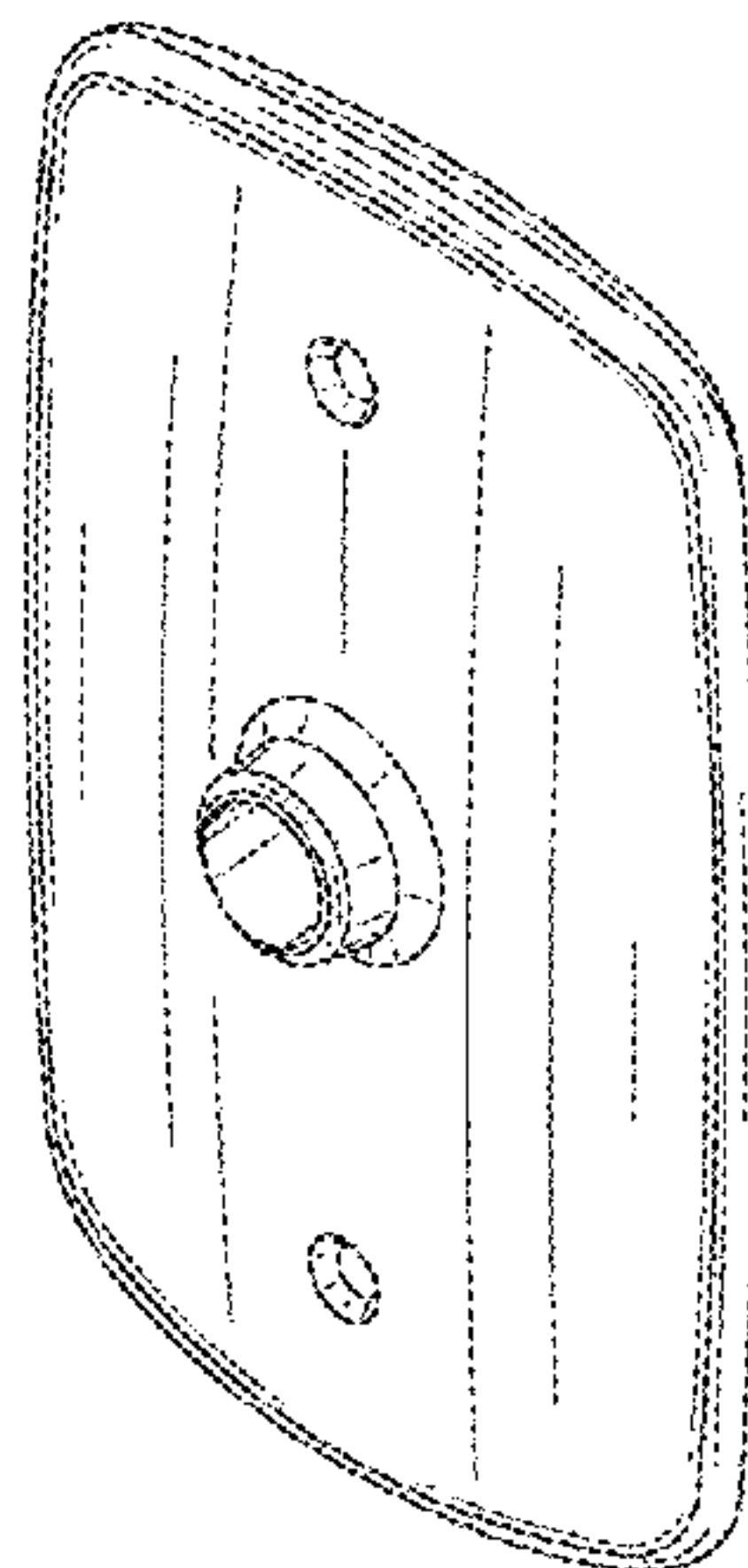
**U.S. PATENT DOCUMENTS**

- 847,718 A 3/1907 Ambos
- 995,893 A 6/1911 Neitzel
- D126,098 S \* 3/1941 McIntosh ..... D8/353
- 2,897,533 A 8/1959 Bull et al.
- 3,438,534 A \* 4/1969 Zerwes ..... H02G 3/14  
220/241
- 4,451,106 A \* 5/1984 Wiseheart ..... H02G 3/16  
439/536
- D288,525 S \* 3/1987 Angle ..... D8/352
- 4,797,548 A \* 1/1989 Kobbing ..... G01S 7/497  
250/221
- D309,093 S \* 7/1990 Reinholt ..... D13/156
- 5,739,753 A \* 4/1998 Porter ..... G08B 13/19  
250/342
- D396,401 S \* 7/1998 Christie ..... D8/353
- D399,829 S \* 10/1998 Reed ..... D13/156

**DESCRIPTION**

FIG. 1 is a top, side, front perspective view of a garage door sensor wire cover;  
FIG. 2 is a top, side, rear perspective view thereof;  
FIG. 3 is a front view thereof;  
FIG. 4 is a side view thereof, it being understood the other side is a mirror image thereof;  
FIG. 5 is a top view thereof, it being understood that the bottom is a mirror image thereof; and,  
FIG. 6 is a perspective view thereof showing the garage door sensor wire cover in use, connected to a garage wall and with a conduit. The surrounding environment is shown with broken lines which form no part of the claimed design.

**1 Claim, 6 Drawing Sheets**



(56)

References Cited

U.S. PATENT DOCUMENTS

D593,842	S	6/2009	Corbin	
D608,805	S *	1/2010	Gantner	D15/199
D635,441	S *	4/2011	Roberts, III	D8/330
D643,701	S *	8/2011	Weber	D8/353
D658,525	S *	5/2012	Choi	D10/103
D660,131	S *	5/2012	Tailor	D8/353
D660,251	S *	5/2012	Liber	D13/155
D666,471	S *	9/2012	Peckham	D8/353
D668,931	S *	10/2012	Yoo	D8/353
D668,932	S *	10/2012	Zhang	D8/353
8,314,350	B1	11/2012	Gretz	
D673,837	S *	1/2013	Callif	D8/350
8,404,973	B1	3/2013	Gretz	
D689,027	S *	9/2013	Waggoner	D13/151
D699,197	S *	2/2014	Zaslavsky	D13/156
D699,198	S *	2/2014	Zaslavsky	D13/156
D711,328	S *	8/2014	Purdy	D13/156
D719,527	S *	12/2014	Kim	D13/156
D731,291	S *	6/2015	Boeltl	D6/524
D732,375	S *	6/2015	Questel	D8/353

OTHER PUBLICATIONS

U.S. Appl. No. 29/539,031, filed Sep. 10, 2015.  
 U.S. Appl. No. 29/539,034, filed Sep. 10, 2015.

Midlite PLI Flange, 4 pages, website [midlite.com/products.aspx?catId=774](http://midlite.com/products.aspx?catId=774), accessed Nov. 26, 2013.  
 Midlite Splitport Plate, 4 pages, website [midlite.com/products.aspx?catId=764](http://midlite.com/products.aspx?catId=764), accessed Nov. 26, 2013.  
 Midlite Wireport Plate, 9 pages, website [midlite.com/products.aspx?catId=765](http://midlite.com/products.aspx?catId=765), accessed Nov. 26, 2013.  
 Midlite Article re Wireport Plate, 3 pages, website [http://www.cepro.com/article/midlites\\_wireport\\_plate\\_terminates\\_termination\\_problems/K1](http://www.cepro.com/article/midlites_wireport_plate_terminates_termination_problems/K1), accessed Nov. 26, 2013.  
 Leviton IG Wall Plates, 5 pages, website [http://www.leviton.com/OA\\_HTML/SectionDisplay.jsp?section=42944&minisite=10251&itemsPerPage=All](http://www.leviton.com/OA_HTML/SectionDisplay.jsp?section=42944&minisite=10251&itemsPerPage=All), accessed Nov. 26, 2013.  
 CableSock Wall Plate, 5 pages, website <http://www.amazon.com/PowerBridge-PBCS-BK-BK-CableSock-Low-Voltage/dp/B003CJTQ6K>, accessed Nov. 26, 2013.  
 Powerbridge CableSock Wall Plate, 3 pages, website <http://www.wiredathome.com/powerbridge-pbcs-wh-wh-cables-sock-wall-plate-for-low-voltage-bulk-wire-cable-dressing-white/>, accessed Nov. 26, 2013.  
 Keystone ShowMe Cables, 1 page, website <http://www.showmecables.com/product/IC107BN2GY.aspx>, accessed Nov. 26, 2013.  
 Keystone Style Wall Plate, 7 pages, website <http://www.amazon.com/Icarus-Keystone-Style-Wall-Plate/dp/B0047ZFHBG/>, accessed Nov. 26, 2013.

\* cited by examiner

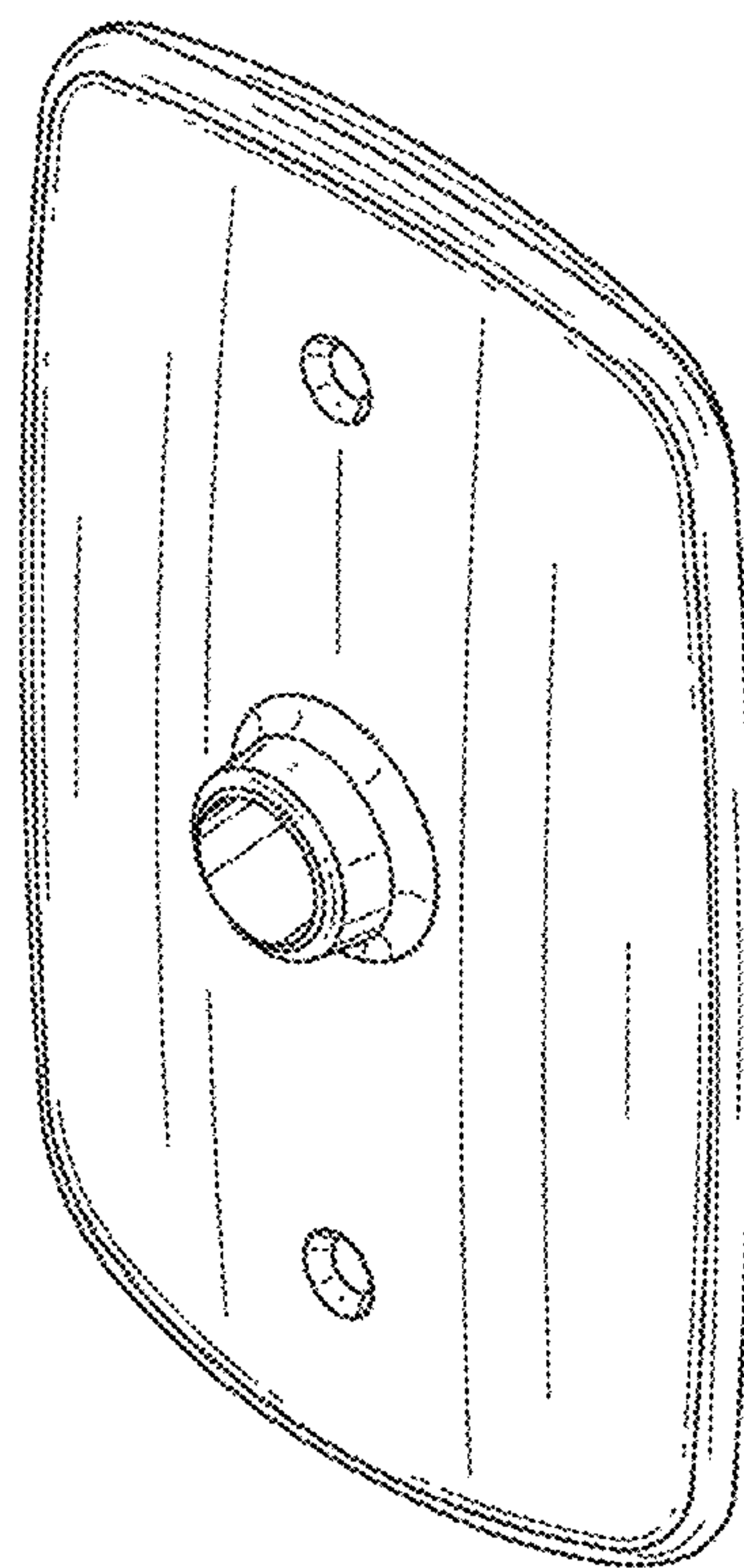
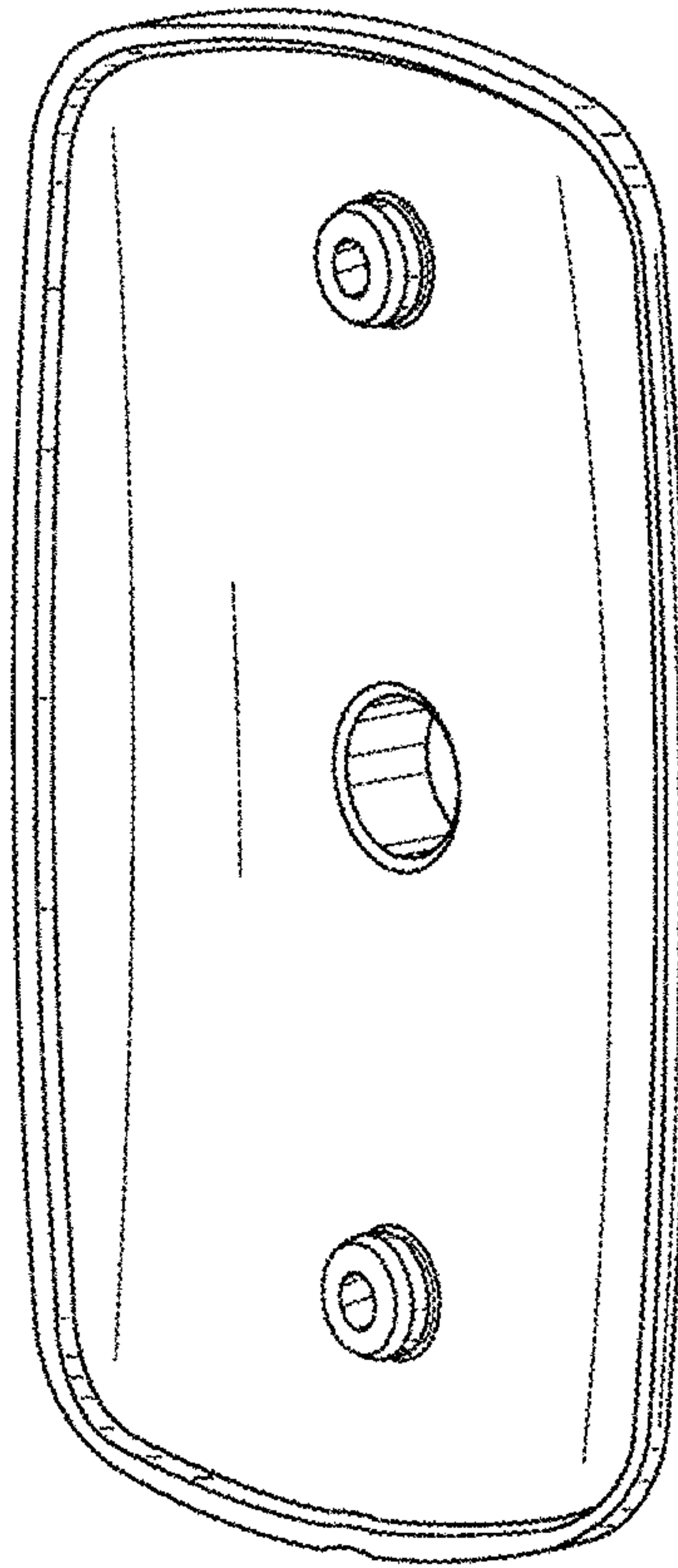
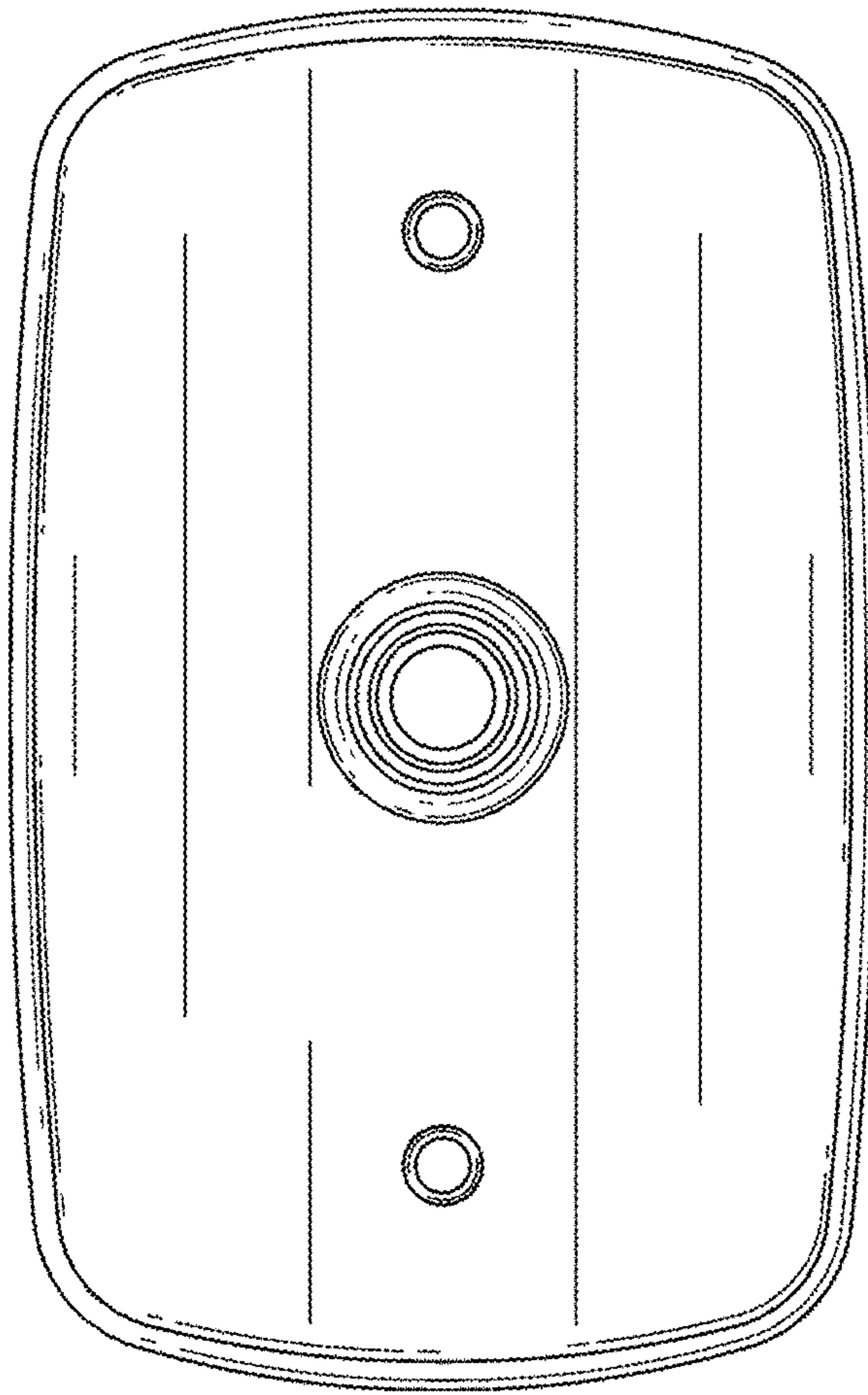


FIG. 1

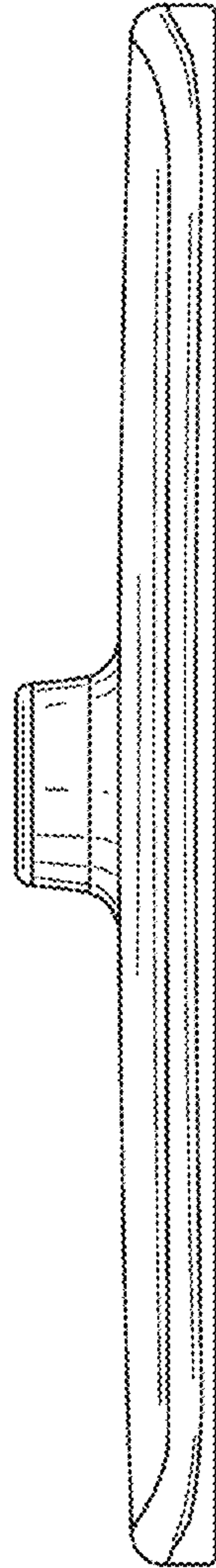


**FIG. 2**





**FIG. 3**



**FIG. 4**

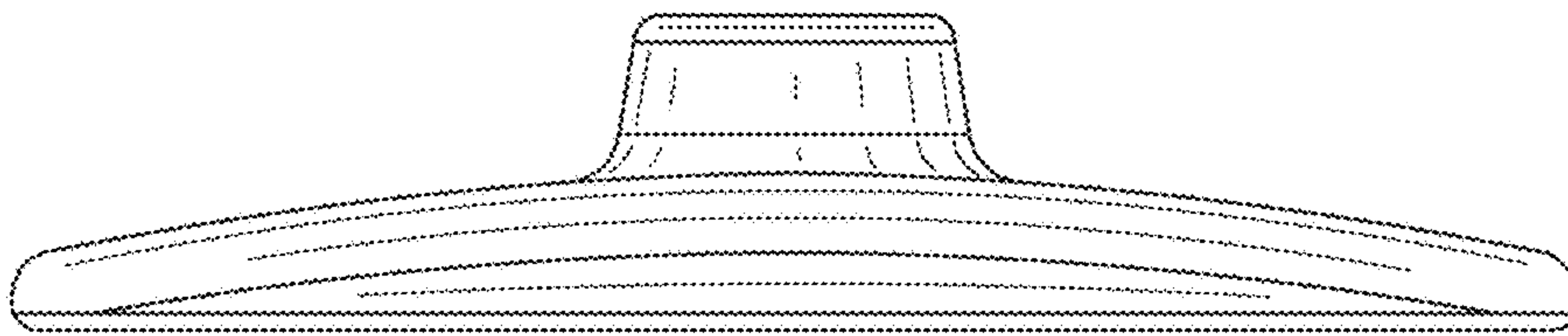


FIG. 5

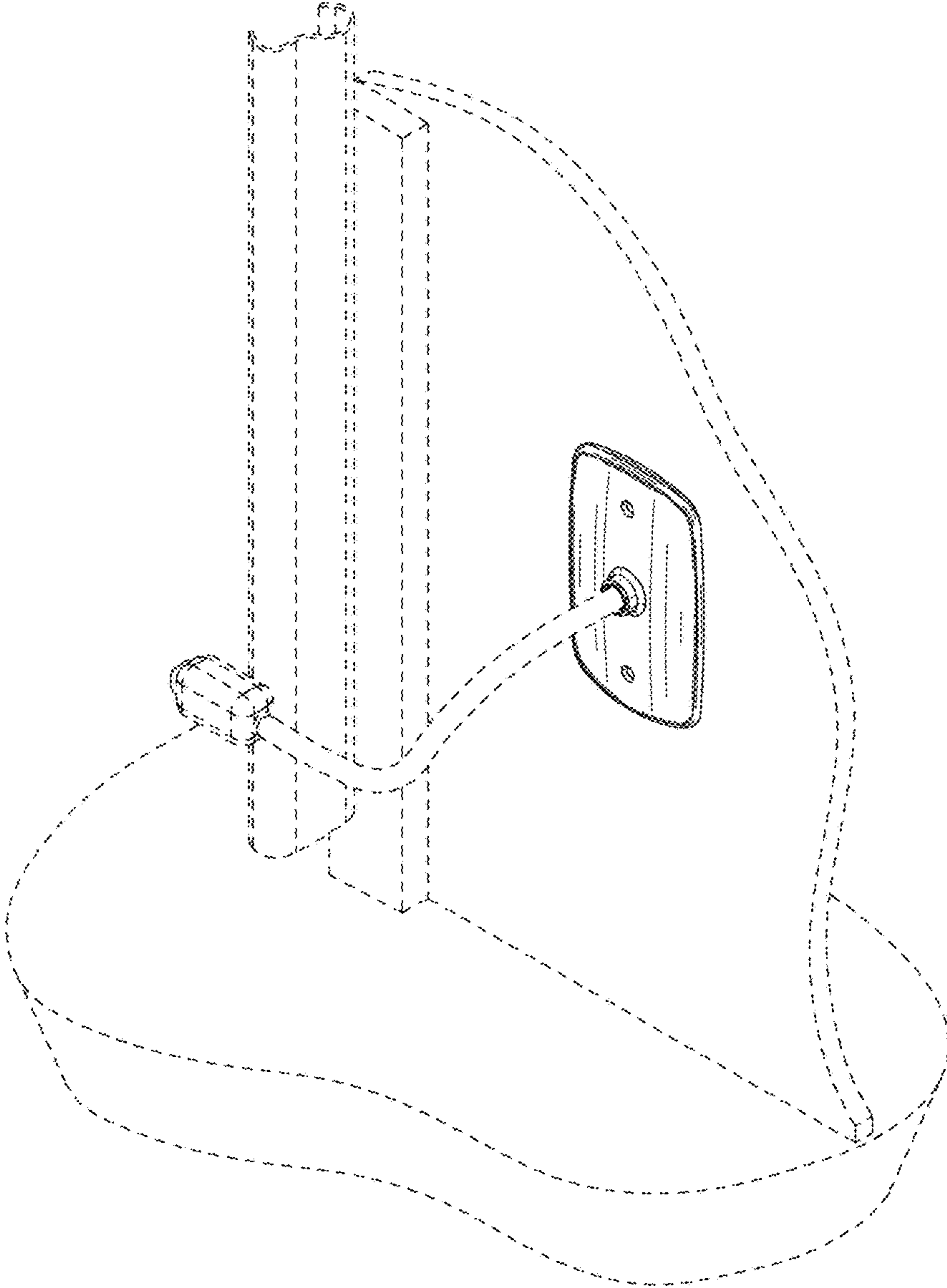


FIG. 6