



US00D772694S

(12) **United States Design Patent** (10) **Patent No.:** **US D772,694 S**
Rose (45) **Date of Patent:** **** Nov. 29, 2016**

(54) **SWIVEL JOINT**

(71) Applicant: **ROLEC Gehäuse-Systeme GmbH,**
Rinteln (DE)

(72) Inventor: **Friedhelm Rose,** Porta Westfalica (DE)

(73) Assignee: **ROLEC Gehäuse-Systeme GmbH,**
Rinteln/Weser (DE)

(**) Term: **14 Years**

(21) Appl. No.: **29/456,711**

(22) Filed: **Jun. 3, 2013**

(30) **Foreign Application Priority Data**

Dec. 3, 2012 (EM) 002146373

(51) **LOC (10) Cl.** **08-08**

(52) **U.S. Cl.**
USPC **D8/349**

(58) **Field of Classification Search**
USPC D8/330, 349, 354, 382, 400, 499;
D26/61, 63, 65; D16/242
CPC A16B 5/055; A16B 19/00; A61G 15/00;
E04G 3/00; F16M 11/12; F16M 13/00;
F16D 1/12; F16D 3/00; F16D 11/00; G03B
17/00; G03B 17/56; G03B 17/561; G06F
17/00; G06F 17/0092; G06F 19/3462;
H05K 7/00
See application file for complete search history.

(56) **References Cited**

U.S. PATENT DOCUMENTS

5,348,472 A * 9/1994 Joeckel et al. 433/79
D430,851 S * 9/2000 Hwang D13/154
D489,145 S * 4/2004 Smith et al. D26/63
D649,028 S * 11/2011 Nielsen D8/382
D716,987 S * 11/2014 Waldmann D26/65

8,998,512 B1 * 4/2015 Celler 396/427
2003/0108380 A1 * 6/2003 Schweitz et al. 403/79
2004/0104327 A1 * 6/2004 Frick A61B 19/26
248/415
2006/0018706 A1 * 1/2006 Bensussan et al. 403/122

(Continued)

FOREIGN PATENT DOCUMENTS

AT 308 213 B 6/1973
DE 202 18 691 U1 2/2003

(Continued)

OTHER PUBLICATIONS

Suspension Arm System, dated Jan. 26, 2011, [online], [site visited Jun. 24, 2015]. Available from Internet, <URL: <http://www.rollec-enclosures.co.uk/products/quadro.htm>>.*

(Continued)

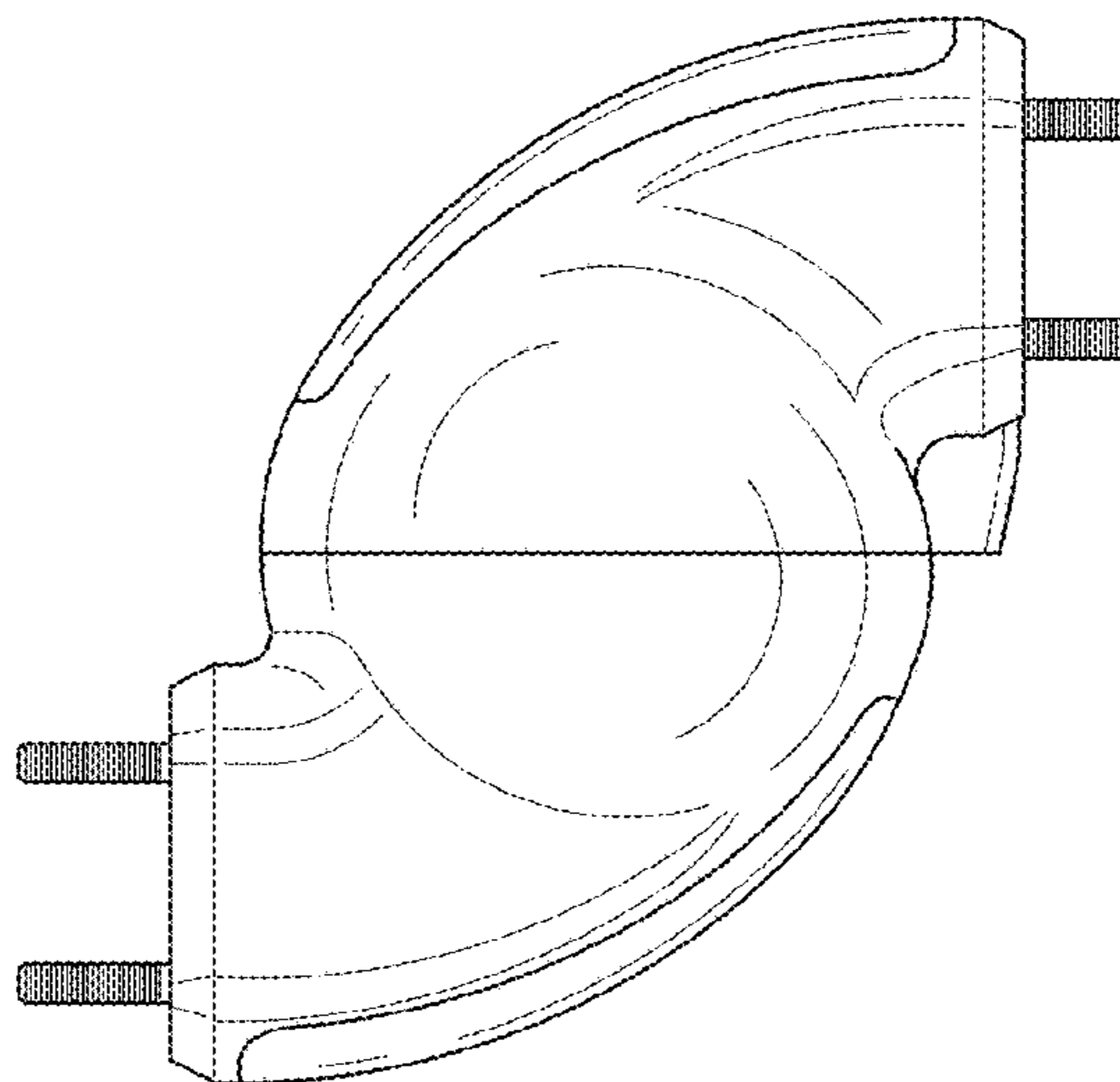
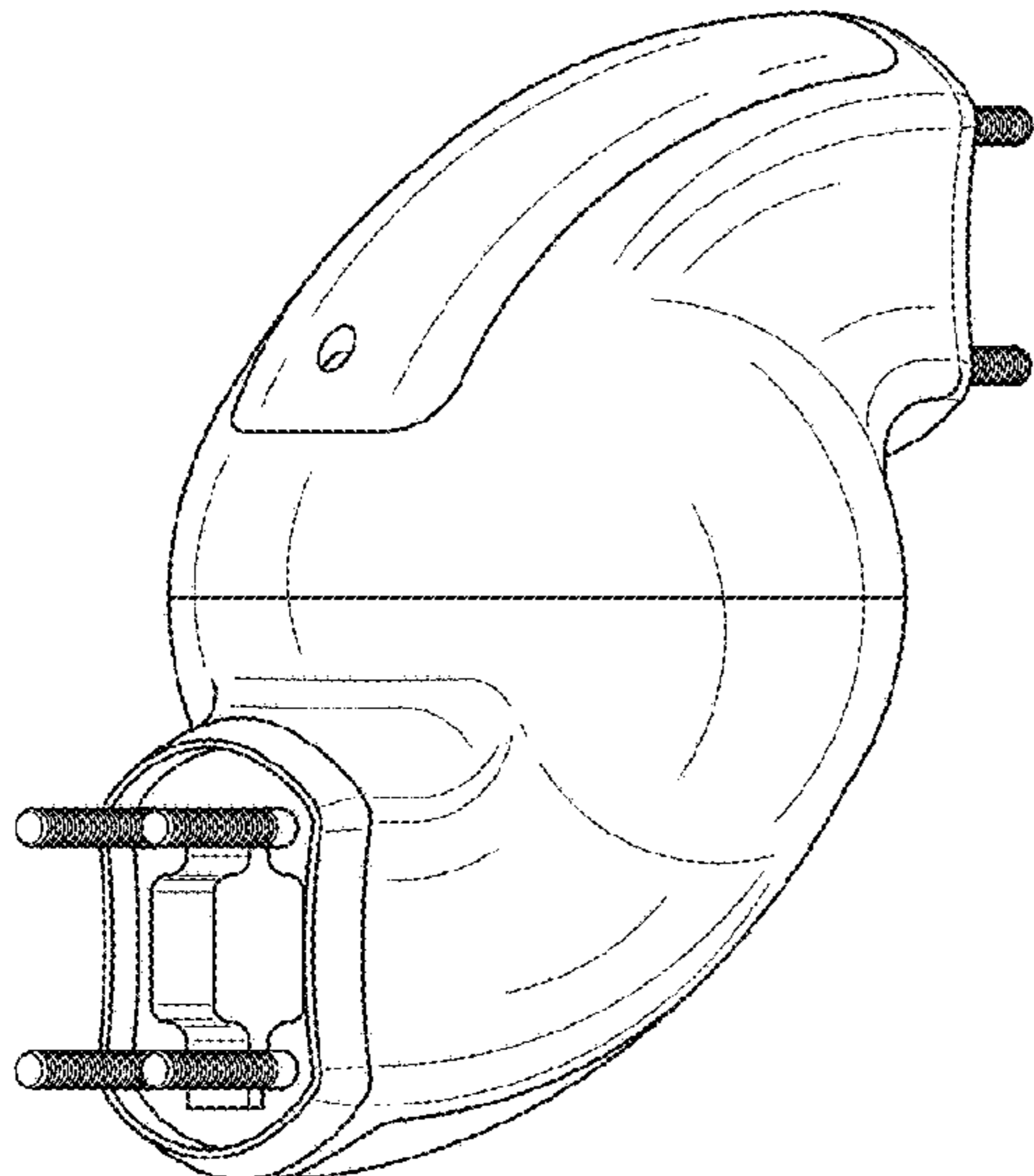
Primary Examiner — Thomas Johannes
Assistant Examiner — Shawn T Gingrich
(74) *Attorney, Agent, or Firm* — Shlesinger, Arkwright & Garvey LLP

(57) **CLAIM**
The ornamental design for a swivel joint, as shown and described.

DESCRIPTION

FIG. 1 is a top perspective view of a swivel joint, showing the inventor's new design;
FIG. 2 is a side view thereof, the opposite view being a mirror image;
FIG. 3 is a top view of the inventor's swivel joint of FIG. 1; and,
FIG. 4 is a front view thereof.
Any surface not shown forms no part of the claimed design. The broken line portion of the figure drawings is included to show portions of the article which form no part of the claimed design.

1 Claim, 2 Drawing Sheets



(56)

References Cited

EP 1 041 335 B1 4/2005
FR 2 899 868 A1 10/2007

U.S. PATENT DOCUMENTS

2006/0157627 A1* 7/2006 Hung 248/276.1
2007/0241531 A1 10/2007 D'Aluisio et al.
2009/0152411 A1* 6/2009 Tsay 248/122.1
2012/0267497 A1* 10/2012 Bowman et al. 248/280.11
2013/0161465 A1* 6/2013 Huang 248/278.1

FOREIGN PATENT DOCUMENTS

DE 10 2008 057 816 B3 4/2010

OTHER PUBLICATIONS

U.S. Appl. No. 14/706,610, Friedhelm Rose.
International Search Report (ISR) of Apr. 24, 2014, in PCT/
DE2013/100372 (3 pages).

* cited by examiner

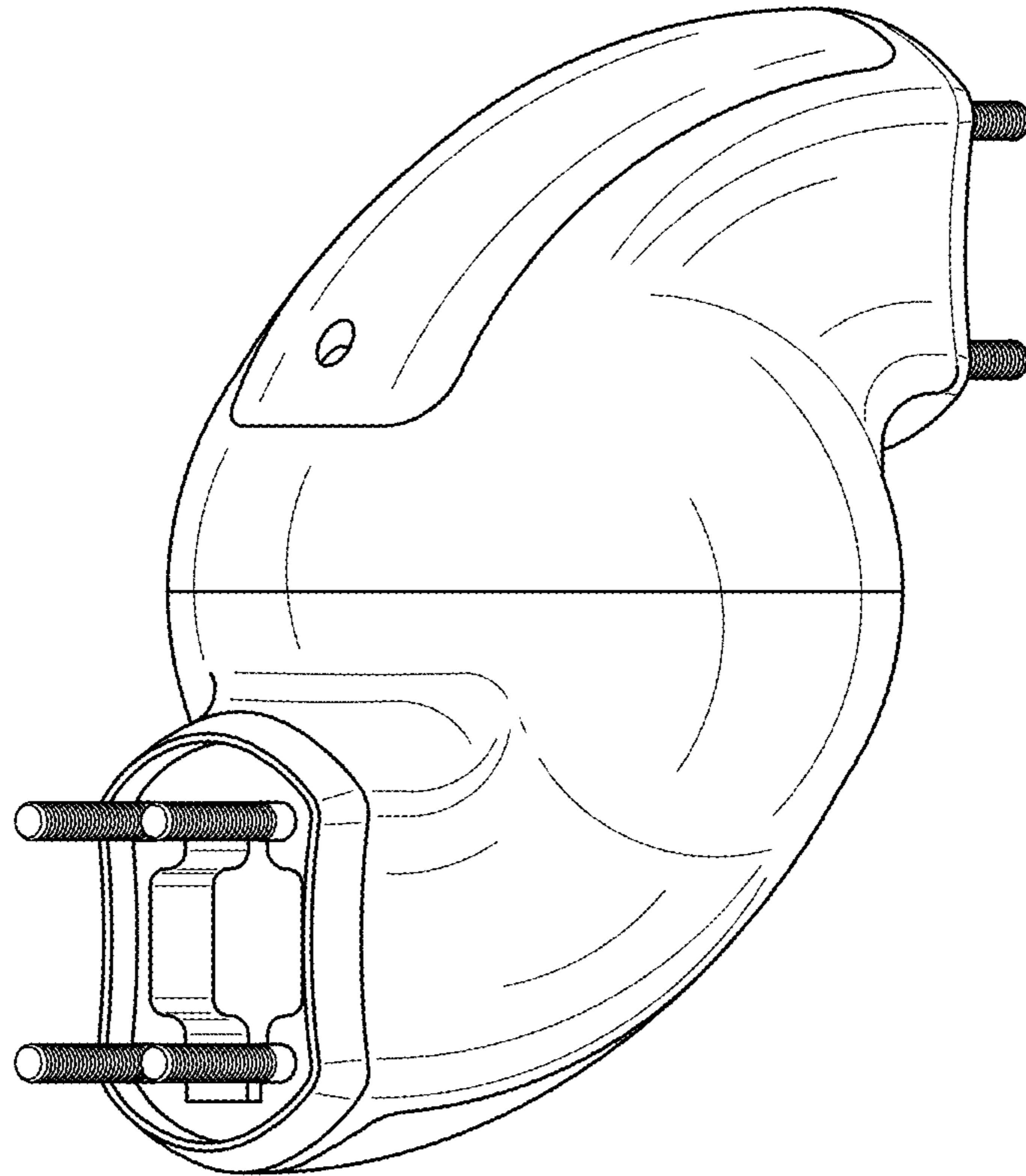


FIG. 1

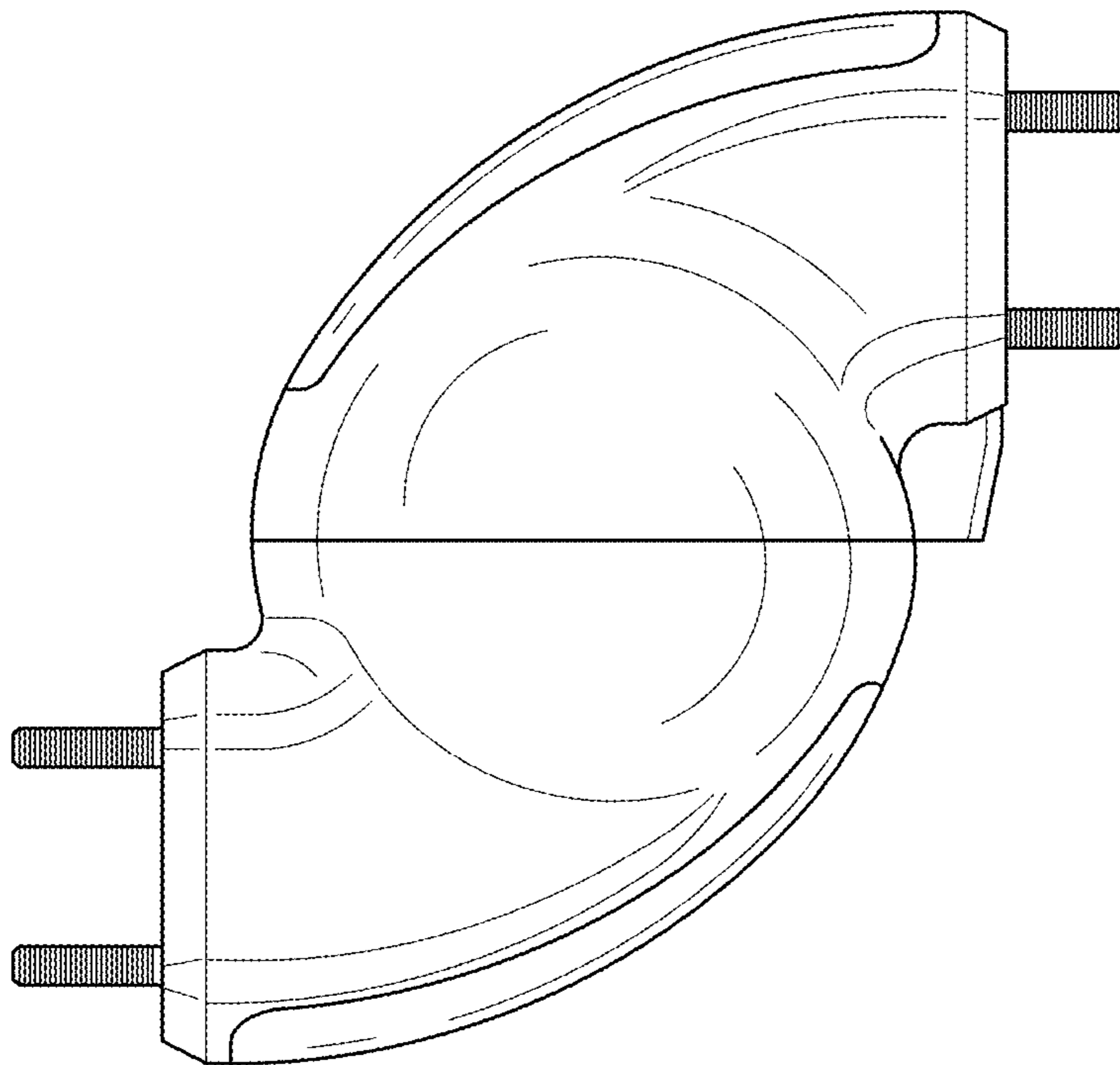


FIG. 2

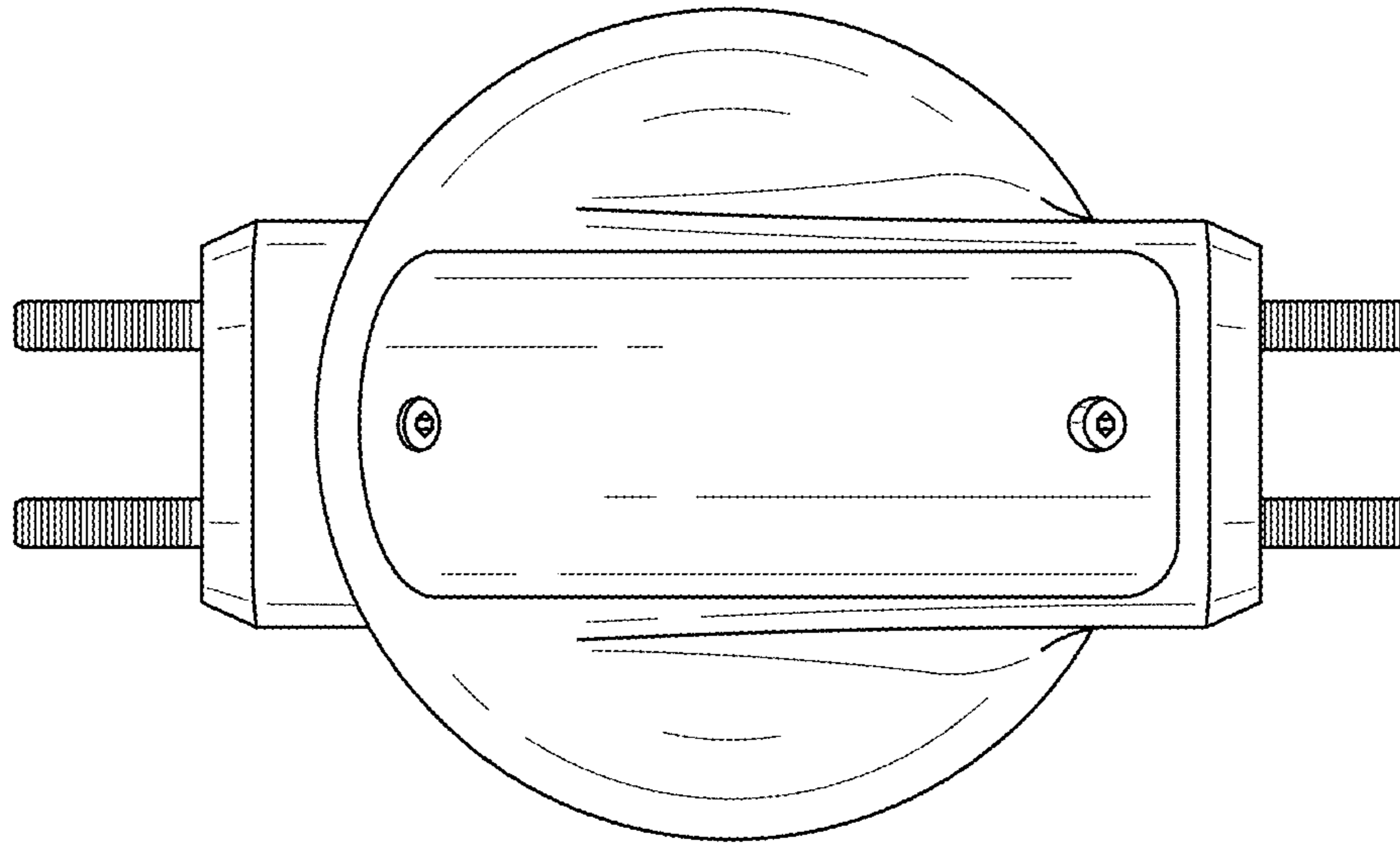


FIG. 3

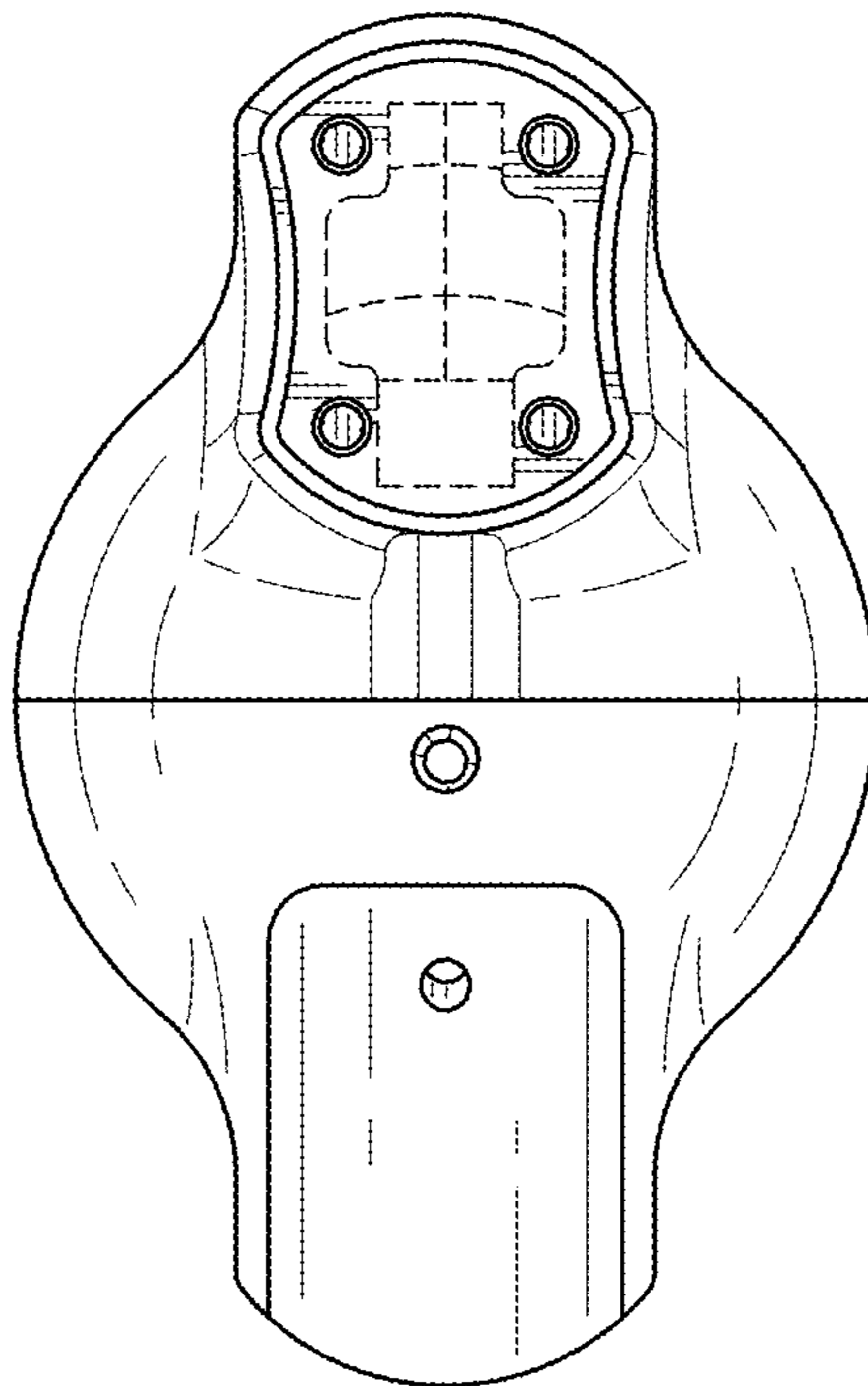


FIG. 4